



US00D575113S

(12) **United States Design Patent**  
**Chiang et al.**

(10) **Patent No.:** **US D575,113 S**  
(45) **Date of Patent:** **\*\* Aug. 19, 2008**

(54) **PORTIONS OF A FRUIT RIPENING CONTAINER**

(76) Inventors: **Chia C. Chiang**, 418 N. La Jolla, Los Angeles, CA (US) 90048; **Blake McEldowney**, 249 Eldridge St., #19, New York, NY (US) 10002; **Max P Burton**, 1009 NW. Hoyt St., Portland, OR (US) 97209; **Brent D. Sokol**, 418 N. La Jolla, Los Angeles, CA (US) 90048

(\*\*) Term: **14 Years**

(21) Appl. No.: **29/282,887**

(22) Filed: **Jul. 31, 2007**

**Related U.S. Application Data**

(63) Continuation of application No. 29/250,629, filed on Nov. 23, 2006, which is a continuation of application No. 29/223,882, filed on Feb. 16, 2005, now Pat. No. Des. 547,600.

(51) **LOC (8) Cl.** ..... **07-01**

(52) **U.S. Cl.** ..... **D7/629**

(58) **Field of Classification Search** ..... D7/538-542, D7/602, 629, 368, 669, 412, 391-392.1; D9/424-429; 62/457.1-457.9, 371, 372; 99/467-482; 426/118, 106

See application file for complete search history.

(56) **References Cited**

**U.S. PATENT DOCUMENTS**

1,126,258 A	1/1915	Myers
1,985,670 A	12/1934	Sykes
2,412,325 A	12/1946	Devine et al.
3,298,511 A	1/1967	Schertz
3,480,197 A	11/1967	Massey
D210,311 S	2/1968	Newman
D244,246 S	5/1977	Daenen

(Continued)

**FOREIGN PATENT DOCUMENTS**

DE 2259561 A 6/1974

(Continued)

**OTHER PUBLICATIONS**

Kitinoja, Lisa, et al., "Small-scale Postharvest Handling Practices - A Manual for Horticultural Crops - 3rd Ed.," Postharvest Horticulture Series No. 8 - Mar. 1995, entire page - excerpt from Section 9 on Ripening, University of California - Davis, Postharvest Technology Research and Information Center, Davis, CA, U.S.A.

(Continued)

*Primary Examiner*—Terry A Wallace

(74) *Attorney, Agent, or Firm*—Brent D. Sokol

(57) **CLAIM**

The ornamental design for portions of a fruit ripening container, as shown and described.

**DESCRIPTION**

FIG. 1 is a perspective view of a fruit ripening container.

FIG. 2 is a front view of portions of the fruit ripening container of FIG. 1.

FIG. 3 is top view of portions of the fruit ripening container of FIG. 1.

FIG. 4 is a side view of the portions of a fruit ripening container of FIG. 1. The opposite side of the portions of a fruit ripening container is a mirror image of the side view.

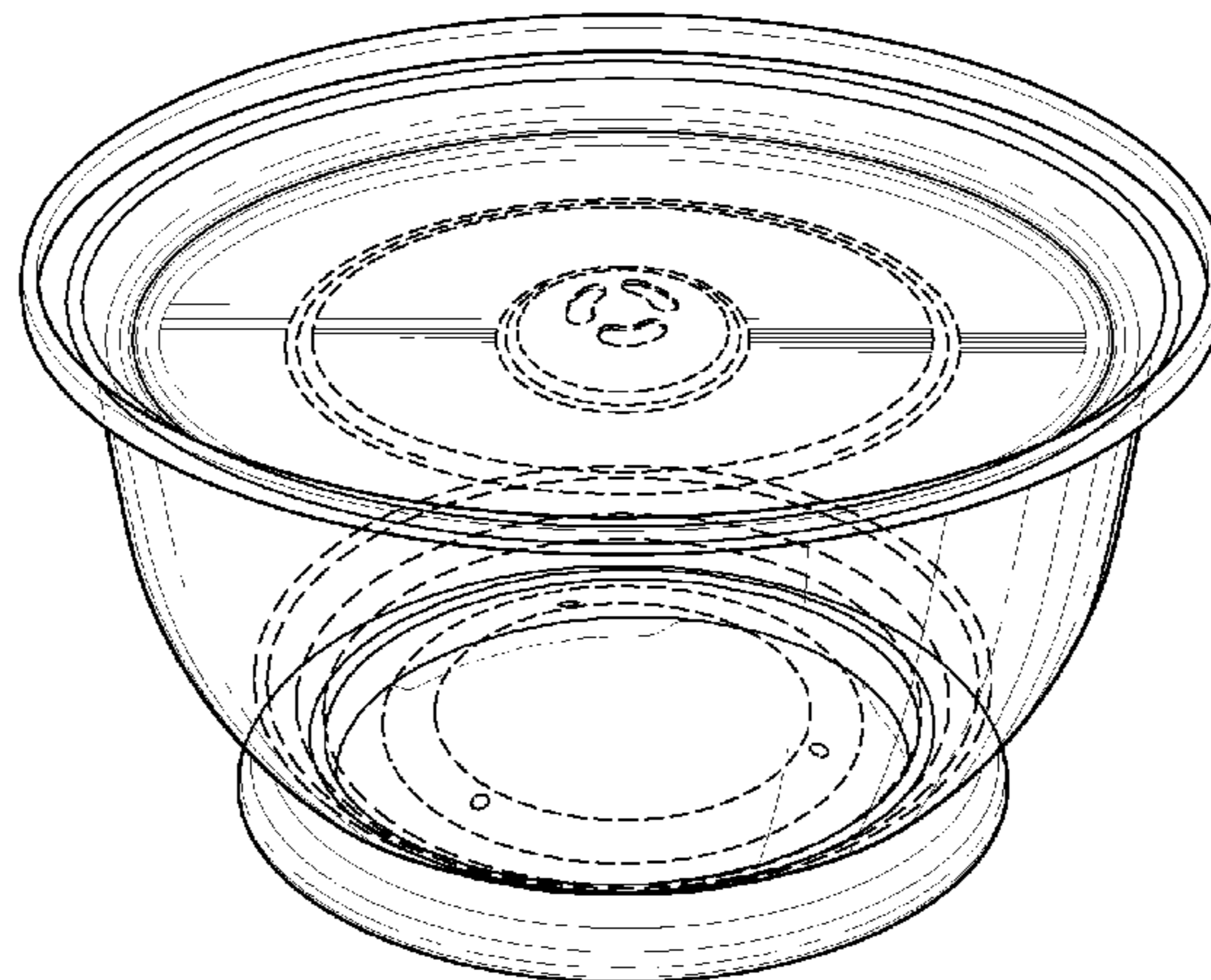
FIG. 5 is a perspective view of a fruit ripening container.

FIG. 6 is a front view of portions of the fruit ripening container of FIG. 5.

FIG. 7 is a top view of portions of the fruit ripening container of FIG. 5; and,

FIG. 8 is a side view of the portions of a fruit ripening container of FIG. 1. The opposite side of the portions of a fruit ripening container is a mirror image of the side view.

**1 Claim, 6 Drawing Sheets**



U.S. PATENT DOCUMENTS

D247,945	S	*	5/1978	Saunders	.....	D7/539
D252,312	S		7/1979	Ackeret		
D259,400	S		6/1981	Carroll et al.		
D267,071	S		11/1982	Carlson		
4,440,321	A		4/1984	Campbell et al.		
D273,652	S		5/1984	Lederman et al.		
D278,674	S		5/1985	Tardif et al.		
D291,397	S		8/1987	Unger		
D293,082	S		12/1987	Butler		
4,842,875	A		6/1989	Anderson		
4,886,372	A		12/1989	Greengrass et al.		
D312,555	S	*	12/1990	Daenen et al.	.....	D7/540
D315,618	S		3/1991	Blaser		
D322,186	S		12/1991	Rubbico		
D327,394	S		6/1992	Scherer		
5,121,877	A		6/1992	Bodary et al.		
D336,596	S	*	6/1993	Osgood et al.	.....	D7/608
D346,552	S		5/1994	Krupa		
5,345,784	A		9/1994	Bazemore et al.		
5,427,808	A		6/1995	Adams		
D360,825	S		8/1995	Knoss et al.		
D379,300	S		5/1997	Krupa et al.		
D380,381	S		7/1997	Krupa et al.		
5,661,979	A		9/1997	DeBoer		
5,667,827	A		9/1997	Breen et al.		
5,711,978	A		1/1998	Breen et al.		
5,758,794	A		6/1998	Rider, Jr. et al.		
5,759,794	A	*	6/1998	Levine et al.	.....	435/7.24
D396,408	S		7/1998	Carver		
D398,448	S		9/1998	Zanni		
5,829,602	A		11/1998	St. John Danko		
D411,714	S		6/1999	Wilson et al.		
5,916,614	A		6/1999	Gorlich		
6,013,293	A		1/2000	De Moor		
6,135,307	A		10/2000	Fahy		
D442,031	S		5/2001	Perez		
D442,834	S		5/2001	Perez		
6,376,032	B1		4/2002	Clarke et al.		
6,527,121	B1		3/2003	Flynn		
D475,621	S	*	6/2003	Buchalski et al.	.....	D9/428
D475,897	S	*	6/2003	Zettle et al.	.....	D7/629
D476,506	S		7/2003	Sneider		
6,651,445	B1		11/2003	Clark et al.		
D487,698	S		3/2004	Rasmussen		
D494,062	S	*	8/2004	Willis	.....	D9/428
D533,394	S		12/2006	Chiang et al.		
D545,117	S		6/2007	Chiang et al.		
D547,600	S		7/2007	Chiang et al.		
D548,017	S		8/2007	Chiang et al.		
D550,514	S		9/2007	Chiang et al.		
D550,515	S		9/2007	Chiang et al.		
D559,628	S		1/2008	Chiang et al.		
2005/0056158	A1		3/2005	Chiang et al.		
2006/0198064	A1		9/2006	Chiang et al.		
2006/0201340	A1		9/2006	Chiang et al.		

FOREIGN PATENT DOCUMENTS

EP	0282180	A2	9/1988
EP	417947	A1	3/1991
EP	0636555	A1	2/1993
FR	2242872	A5	3/1975
JP	6484871	A	3/1989
JP	6485064	A	3/1989
JP	1146677	A	2/1999
JP	1068100	S	4/2000
TW	286124		9/1996

WO

99446715 A1 9/1999

OTHER PUBLICATIONS

Retromodern.com, "Lobo Fruit Bowl / Bread Basket design year 1977," <http://www.retromodern.com>, © 2000-2001 (copyright before effective date), all, U.S.A.

Catalogicity.com, "Kitchen Basket - Banana Tree," <http://amos.catalogicity.com/cc?main=catalog&pcd=4328503&prd=6291163&ccsyn=22>, Jan. 22, 2003, all, U.S.A.

Catalogicity.com, "Ripen-Right Fruit Bowl," [www.http://amos.catalogicity.com/cc.class/cc?main=catalog&pcd=4989142&prd=7194690&ccsyn=22](http://www.catalogicity.com/cc.class/cc?main=catalog&pcd=4989142&prd=7194690&ccsyn=22), Jan. 22, 2003, all, U.S.A.

Tabletools.com, "Filio Fruit Tray, by Mono Table Top," [http://www.tabletools.com/tabletools/showdeti.cfm?&DID=G&user\\_ID=2327780&st=5803](http://www.tabletools.com/tabletools/showdeti.cfm?&DID=G&user_ID=2327780&st=5803), Feb. 2, 2003, all, U.S.A.

Designstore.com, "Rosendahl stainless steel fruit dish," <http://www.designstore.com/rosstainsteel.html>, Feb. 2, 2003, all, U.S.A.

Suprise.com, "Fruit Ripening Bown," [http://surprise.com/food/foodie/fruit\\_ripening-bowl.cfm](http://surprise.com/food/foodie/fruit_ripening-bowl.cfm), Feb. 2, 2003, all, U.S.A.

Startsampling.com, "Hammacher Ripening Bowl," <http://www.startsampling.com/SIProduct.iphtml?name=Ripening%20Bowl>, Feb. 3, 2003, all, U.S.A.

Catalogicity.com, "Spathe Bowl," <http://r2.us.rmi.yahoo.com/rmi/http://amos.catalogicity.com/cc.class/ccmivars?target=top?main=catalog&pcd=2921396&ccsyn>, Feb. 4, 2003, all, U.S.A.

Catalogicity.com, "Fruit Bowl - Natural Wood," <http://r2.us.rmi.yahoo.com/rmi/http://amos.catalogicity.com/cc.class/cc/rmivars?target>, Feb. 4, 2003, all U.S.A.

Techno Scout, "Fruit Saver Advertisement," Parade Magazine, Feb. 9, 2003, Parade Publications, N.Y., U.S.A.

First Capital Craft Mall & Family Ties "Banana Hanger," <http://imagineifyouwill.site.yahoo.nt/bananahanger.html>, Feb. 11, 2003, all, U.S.A.

Tabletools.com, "Top Serve Container," [http://www.tabletools.com/tabletools/showdeti.cfm?&DID=G&Product\\_ID=2940&CATID](http://www.tabletools.com/tabletools/showdeti.cfm?&DID=G&Product_ID=2940&CATID), Feb. 11, 2003, all, U.S.A.

Target.com, "Arthur Court Kitchen Banana & Fruit Bowl," [http://www.target.com/gp/detail.html/sr=1-1/qid=1044982115/ref=sr\\_1\\_1/601-9410451\\_73...](http://www.target.com/gp/detail.html/sr=1-1/qid=1044982115/ref=sr_1_1/601-9410451_73...), Feb. 11, 2003, all, U.S.A.

Ebay.com, 70's "Space Age Terrarium Fruit Ripener," <http://cgi.ebay.com/wseBayISAA.d117ViewItem&item=2306242466&Category=367>, Feb. 12, 2003, all, U.S.A.

Kitchenclassics.com, "The ingenious Kitchen Tool"-Koller-Craft Fruit Ripener, <http://kitchen-classics.com/fruitripen.html>, Feb. 12, 2003, all, U.S.A.

Koller-Craft Plastic Products, "How it Works," Product Insert for Koller-Craft Fruit Ripener, Feb. 12, 2003 or earlier, Koller-Craft Plastic Products, Fenton, MO, U.S.A.

Stedelijk Museum, "Gij's Bakker Flow (Fruit Bowl) 2000-2002," Stedelijk Museum Bulletin, Apr. 2003, p. 37, photo. Netherlands.

Chia C. Chiang et al., Portions of a Fruit Ripening Container, 29/275,641, docket 001-D101D4US (unpublished copending US design patent application), filed Jan. 2, 2007, continuation of 29/223,882, filed Feb. 16, 2005 (now D547,600).

Chia C. Chiang et al., Portions of Fruit Ripening Display, 29/282,889, docket 001-D101D6US (unpublished copending US design patent application), filed Jul. 31, 2007, continuation of 29/250,629, filed Nov. 23, 2006, in turn a continuation of 29/223,882, filed Feb. 16, 2005 (now D547,600).

Chia C. Chiang et al., Portions of a Fruit Display, 29/250,629, docket 001/D101D2US, (unpublished copending US design patent application), filed Nov. 23, 2006, continuation of 29/223,882, filed Feb. 16, 2005.

# US D575,113 S

Page 3

---

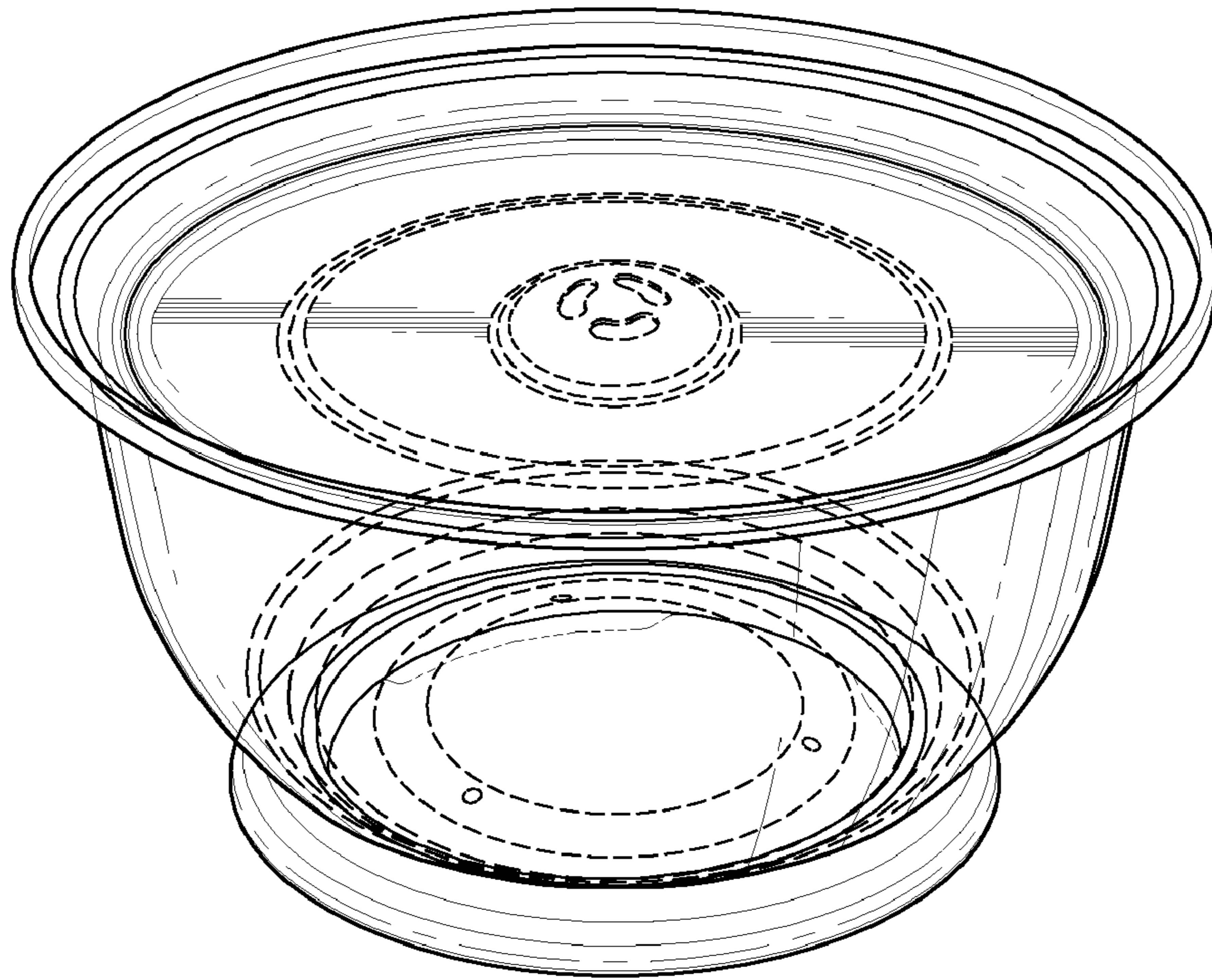
Chia C. Chiang et al., Portions of a Fruit Display, 29/282,891, docket 001-D104D2US (unpublished copending US design patent application), filed Jul. 31, 2007, continuation of 29/250,626, (now D550,514) filed Nov. 23, 2006, in turn a continuation of 29/2274,068, filed Feb. 23, 2005 (now D548,017).

Gifco, Gift Consultant Magazine, 1999, p. 203 93823S, Japan.

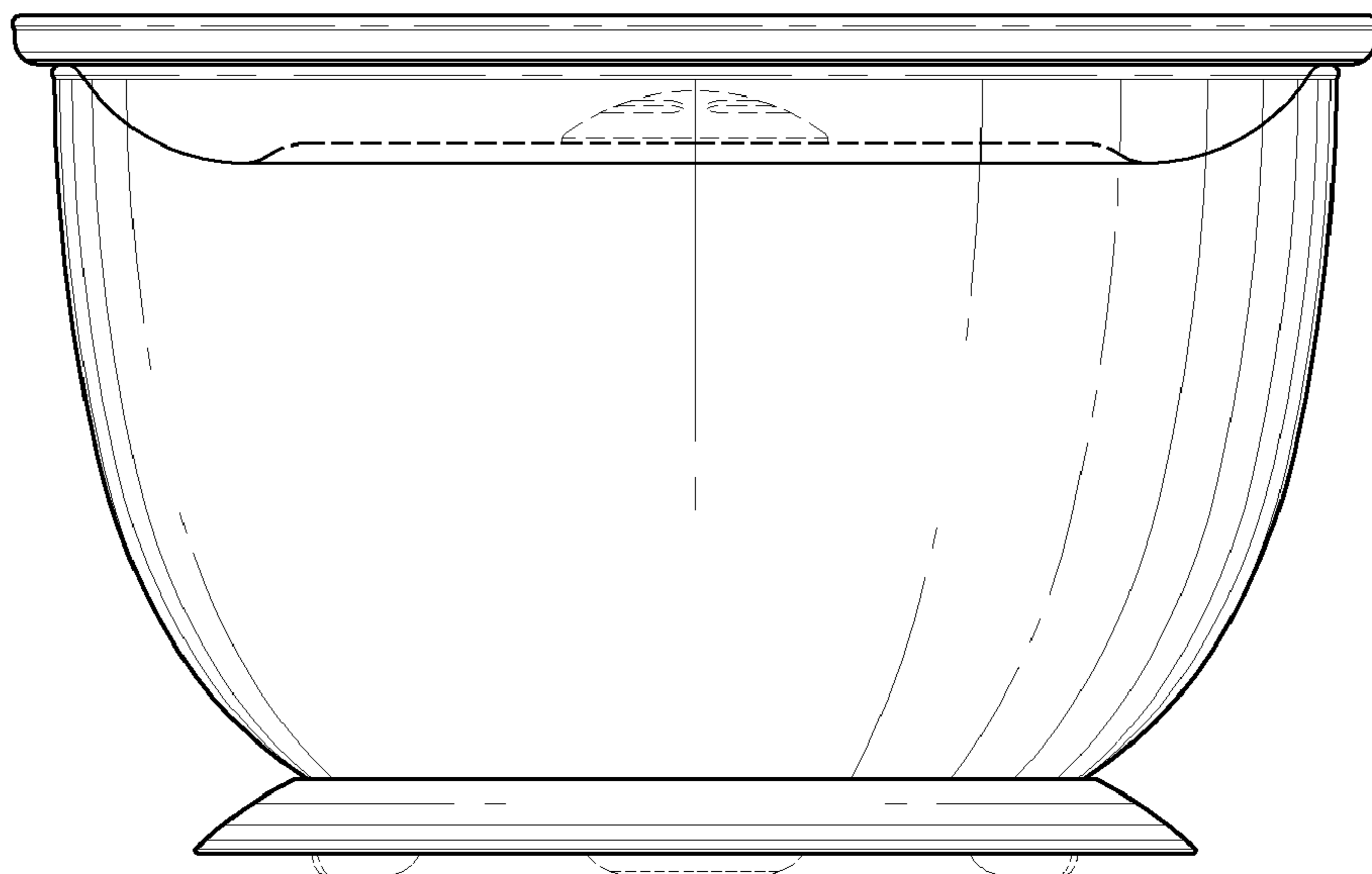
Chiang, Sokol, Knapp, Draft Liivia Fruit Ripener Quick Start Guide, Jul. 2007, Distributed Sep. 2007, entire document.

Chiang, Sokol, Knapp, Draft Liivia Fruit Ripener: Real Technology instruction manual, Jul. 2007, Distributed Sep. 2007, entire document.

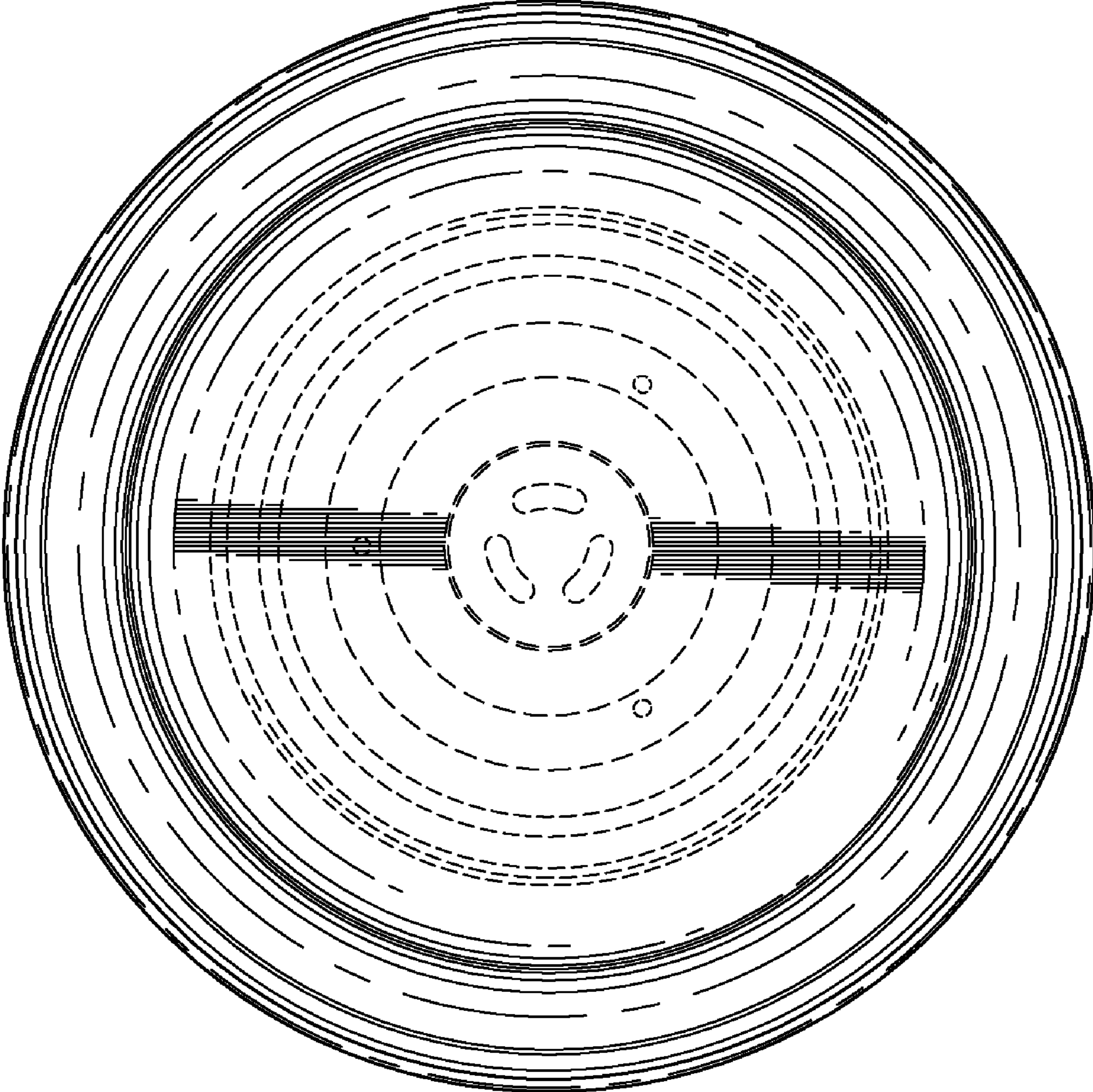
\* cited by examiner



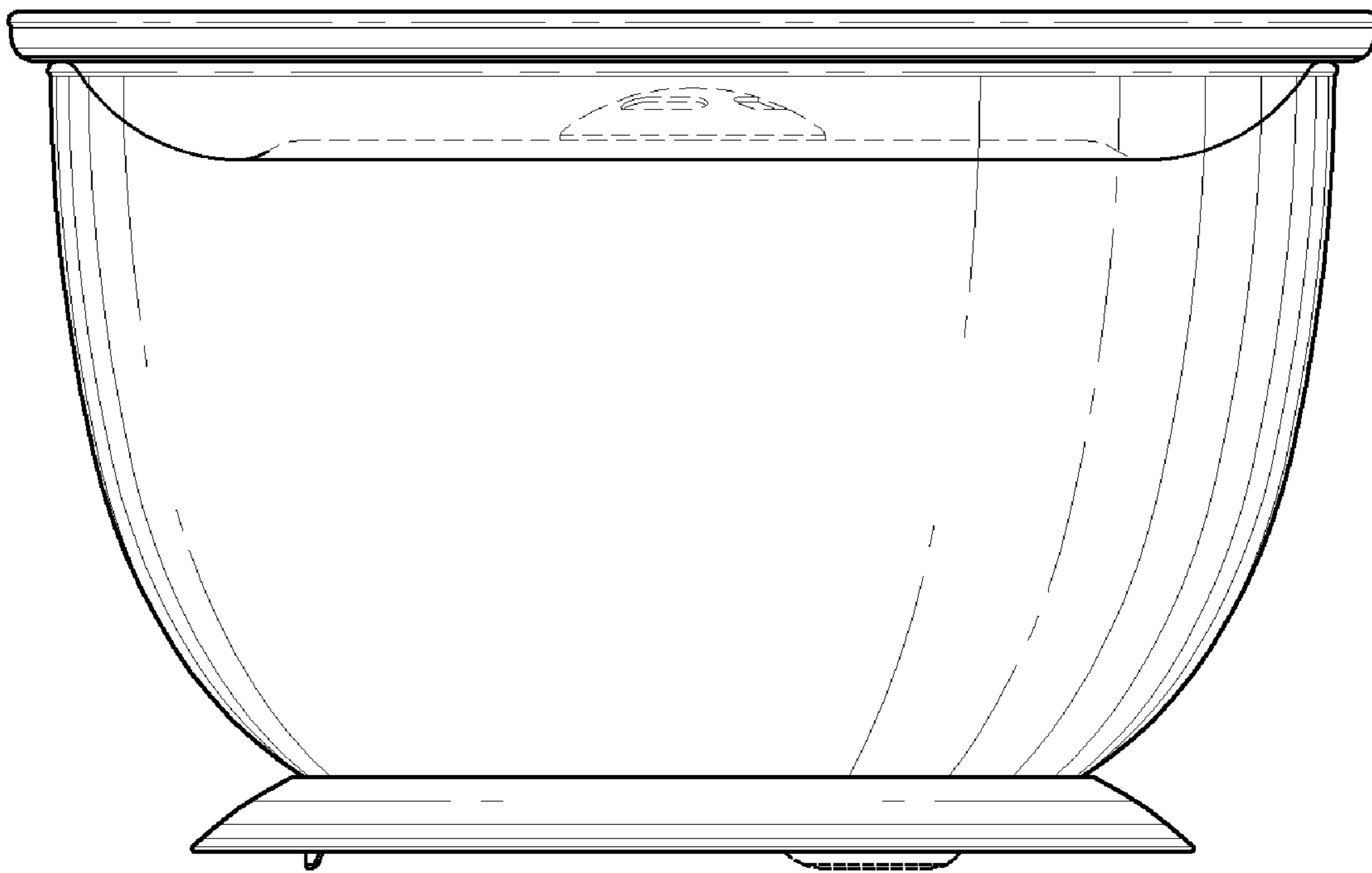
*FIG. 1*



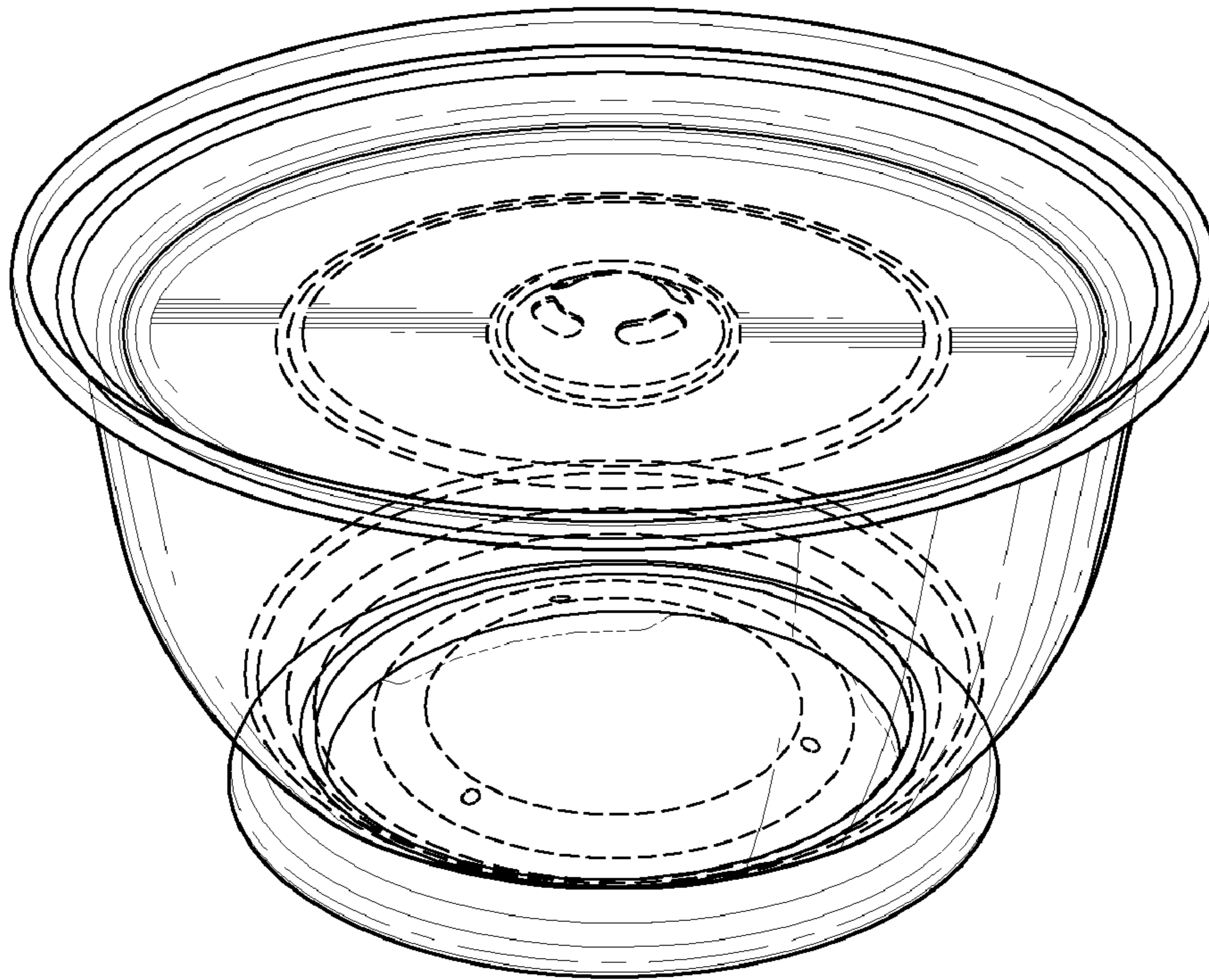
*FIG. 2*



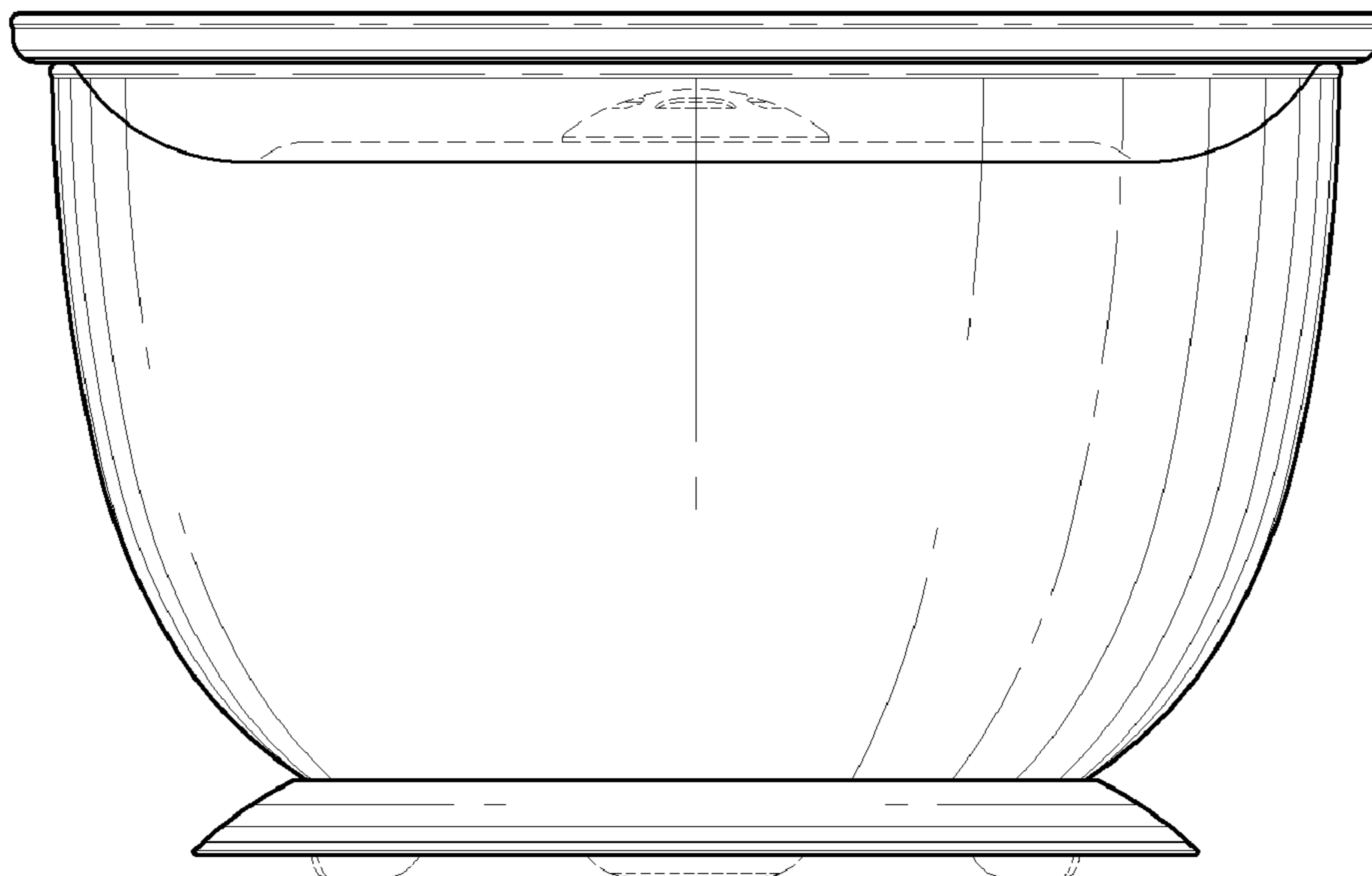
*FIG. 3*



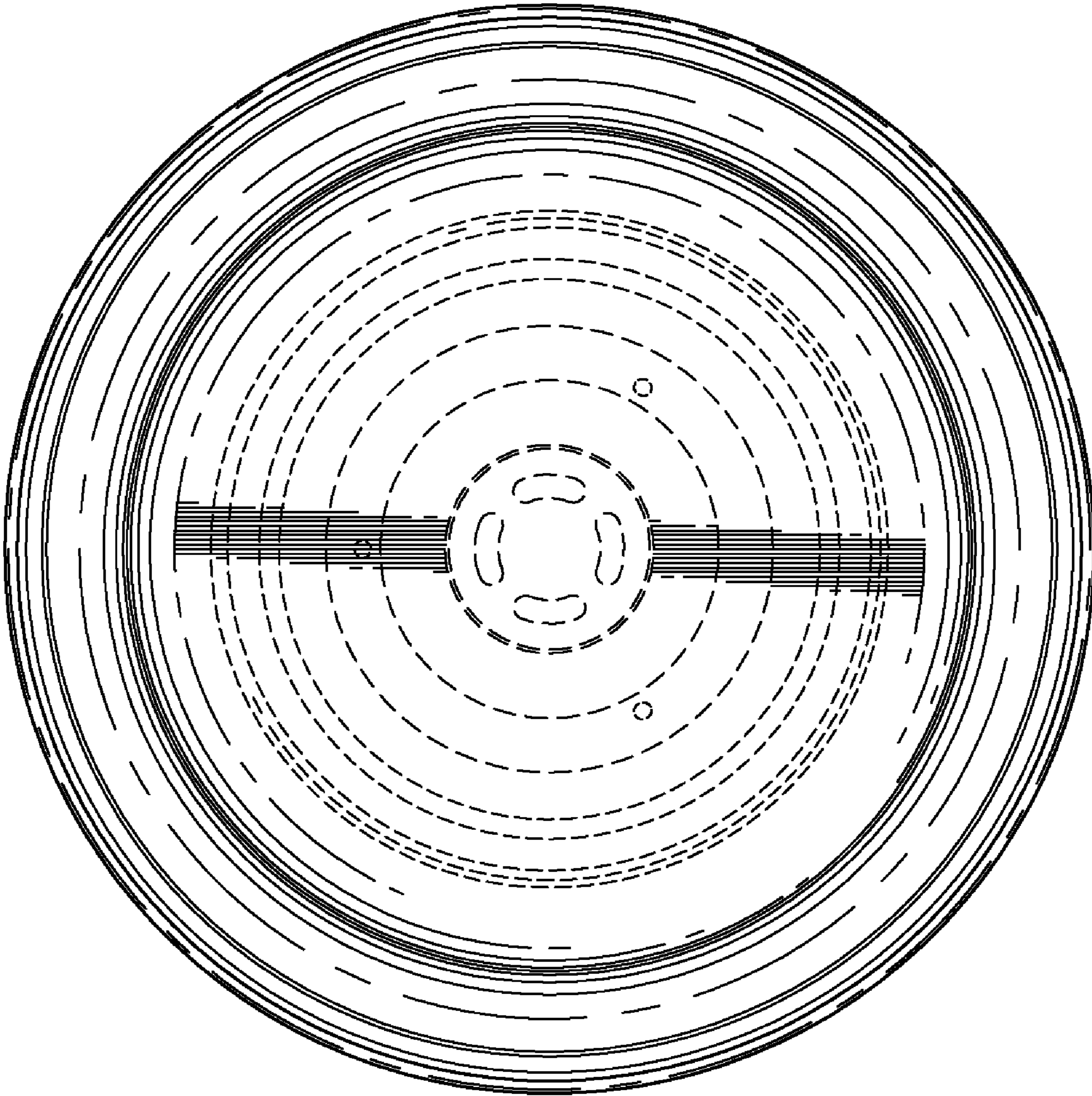
*FIG. 4*



*FIG. 5*

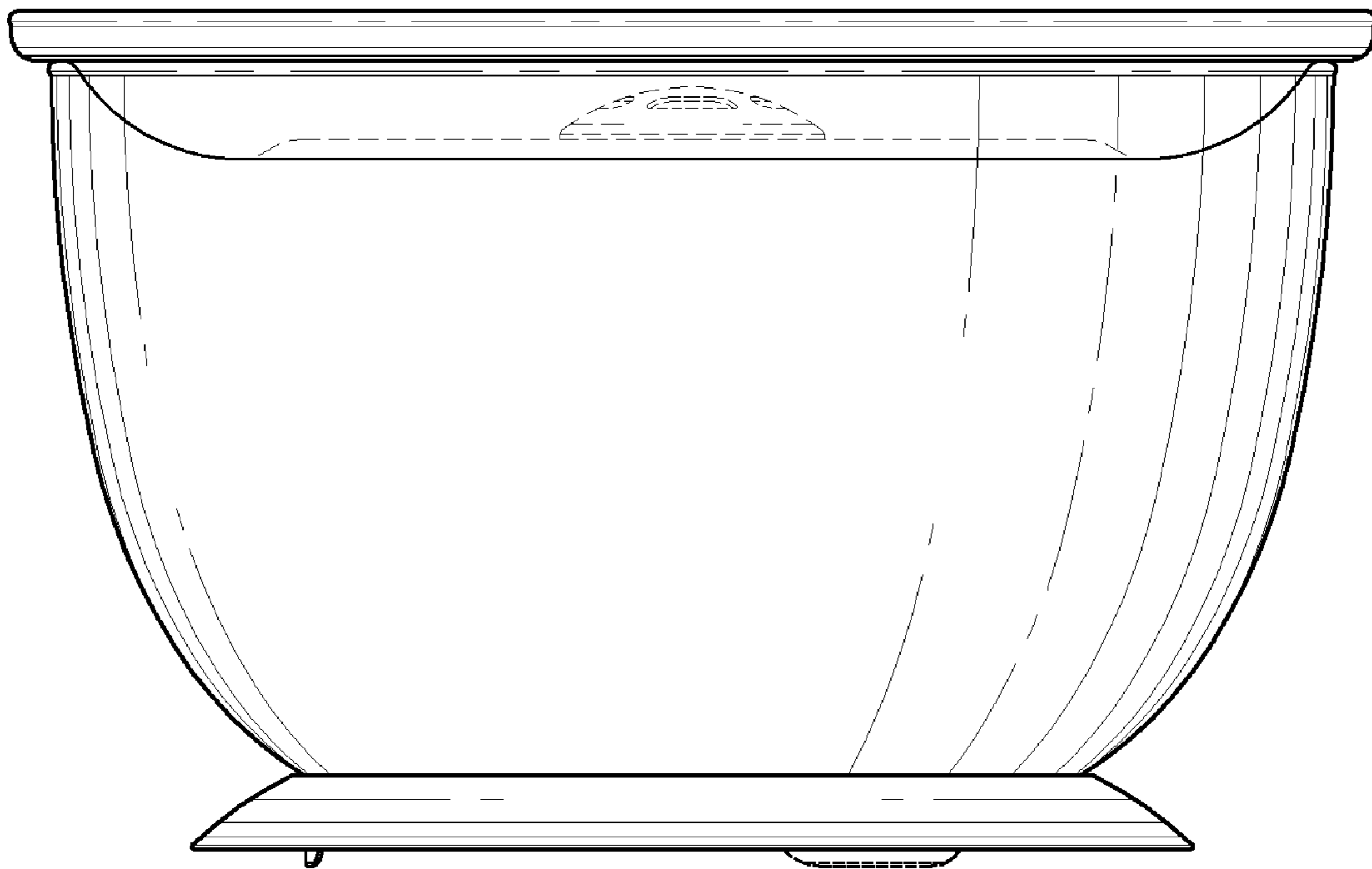


*FIG. 6*



*FIG. 7*





*FIG. 8*