



US00D575109S

(12) **United States Design Patent**
Barducci

(10) **Patent No.:** **US D575,109 S**
(45) **Date of Patent:** **** Aug. 19, 2008**

(54) **GLASS**
(75) Inventor: **Claudio Barducci**, Trieste (IT)
(73) Assignee: **Italesse Srl**, Muggia (IT)
(**) Term: **14 Years**

6,116,772 A * 9/2000 DiGiacomo et al. 366/130
6,296,477 B1 * 10/2001 Lin 431/291
D506,275 S * 6/2005 Bernardo et al. D26/23
7,140,504 B1 * 11/2006 Baron 215/6
D543,784 S * 6/2007 Assez D7/523
D551,502 S * 9/2007 Bodum D7/509
2005/0024859 A1 * 2/2005 Micele et al. 362/161

(21) Appl. No.: **29/279,065**
(22) Filed: **Apr. 19, 2007**

* cited by examiner

Primary Examiner—Philip Hyder
Assistant Examiner—Cynthia Underwood

(30) **Foreign Application Priority Data**
Oct. 19, 2006 (EM) 000606645

(74) *Attorney, Agent, or Firm*—Panitch Schwarze Belisario & Nadel LLP

(51) **LOC (8) Cl.** **07-01**
(52) **U.S. Cl.** **D7/524; D7/523; D7/507**
(58) **Field of Classification Search** D7/500,
D7/509, 523, 524, 531, 537, 558; D9/500,
D9/506, 522; 62/457.3; 215/374, 387, 12.1,
215/6, DIG. 7; 220/703.606, 592.16, 592.17;
229/400; D11/153; D26/9; 431/291
See application file for complete search history.

(57) **CLAIM**

The ornamental design for a glass, as shown and described.

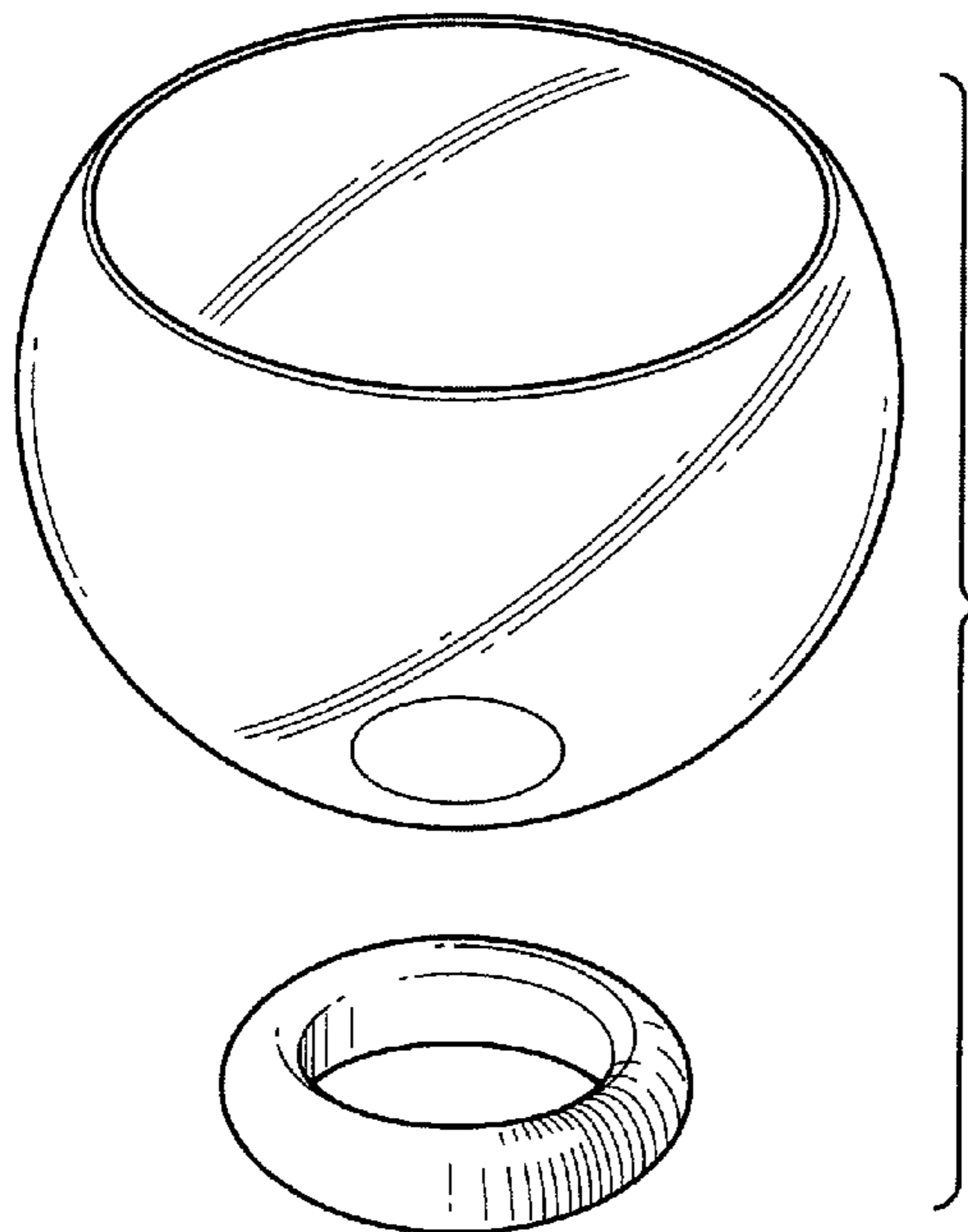
(56) **References Cited**
U.S. PATENT DOCUMENTS

DESCRIPTION

FIG. 1 is a top perspective view of a glass in accordance with my new design;
FIG. 2 is a bottom perspective view thereof;
FIG. 3 is a top perspective, exploded view thereof;
FIG. 4 is a bottom perspective, exploded view thereof;
FIG. 5 is a front elevational view thereof, rear and side elevational views thereof being identical;
FIG. 6 is a top plan view thereof; and,
FIG. 7 is a bottom plan view thereof.

D80,971 S * 4/1930 Sakier D7/558
1,977,091 A * 10/1934 Schutz 215/374
D205,300 S * 7/1966 Douglas D26/11
D208,097 S * 7/1967 Henn D7/558
3,781,164 A * 12/1973 McCaffery 431/291
3,933,246 A * 1/1976 Fulton 206/520

1 Claim, 4 Drawing Sheets



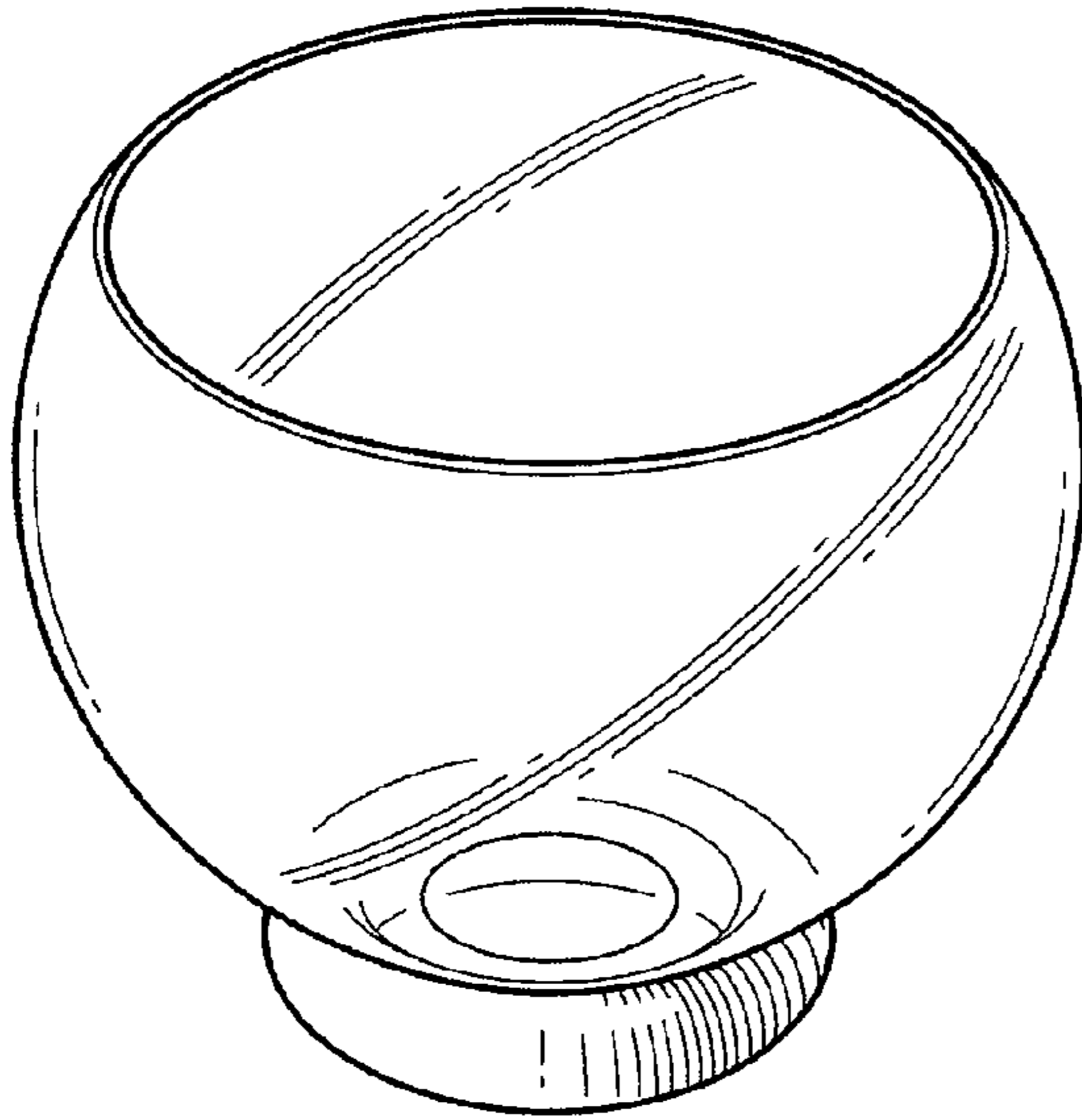


FIG. 1

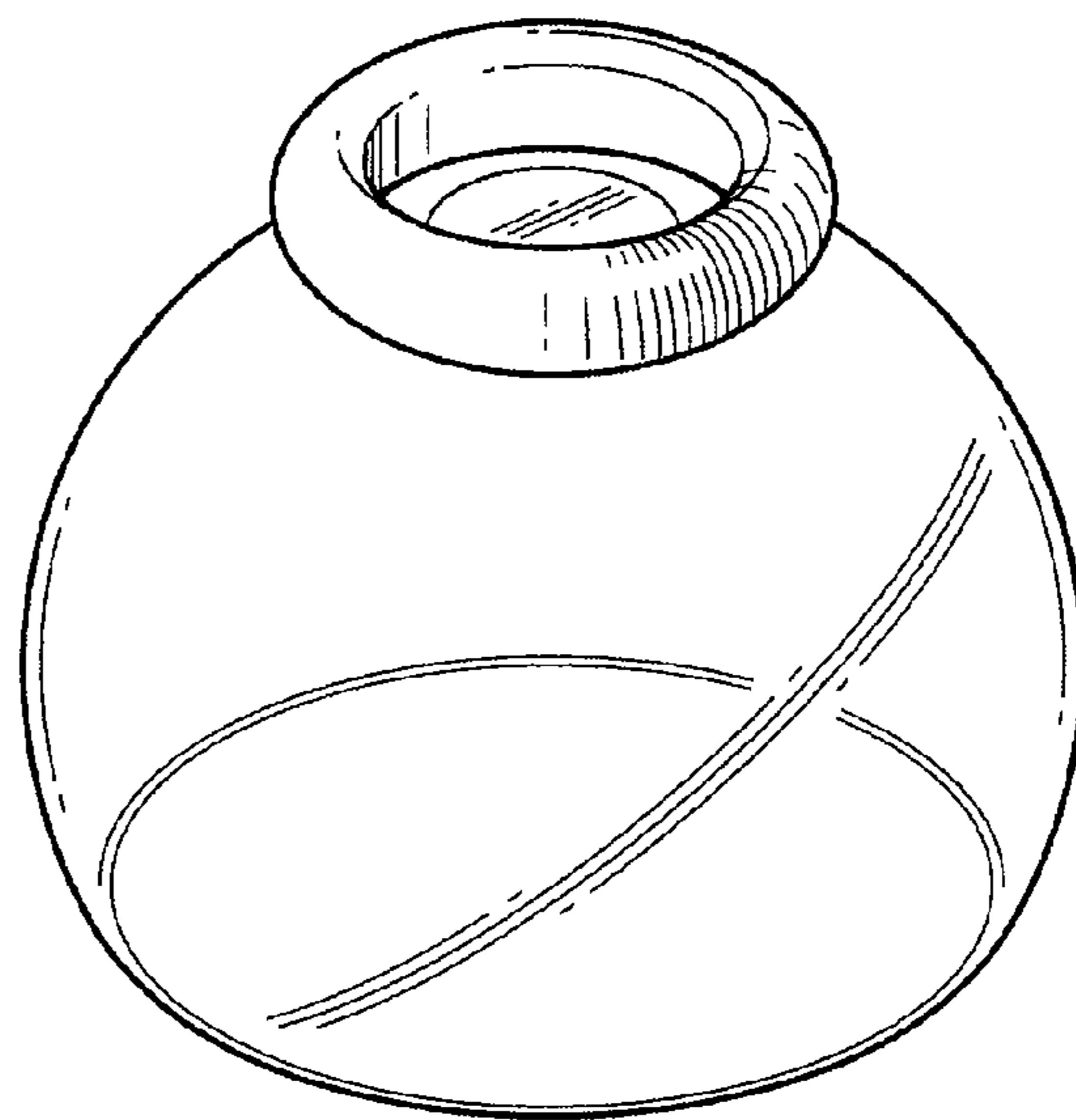


FIG. 2

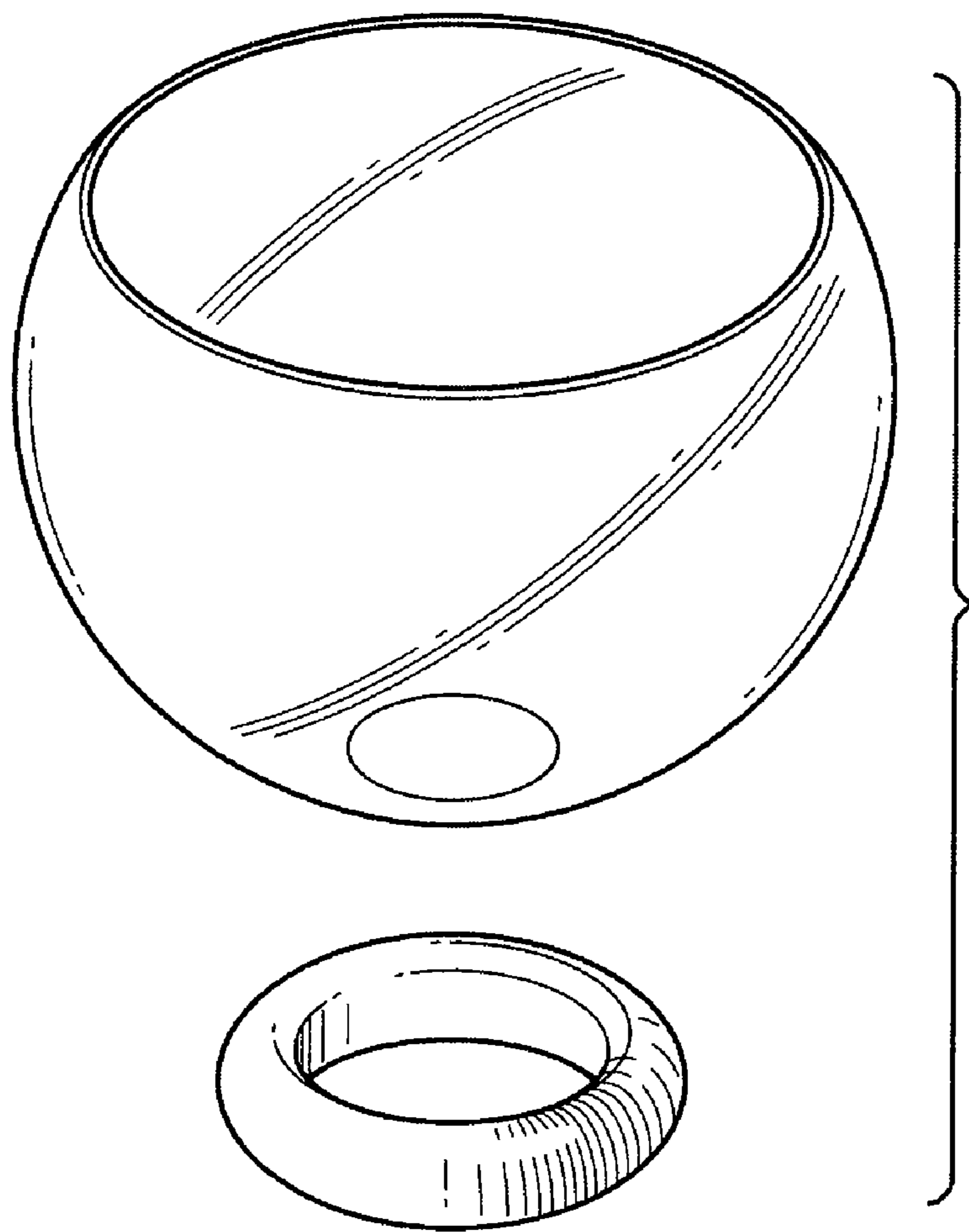


FIG. 3

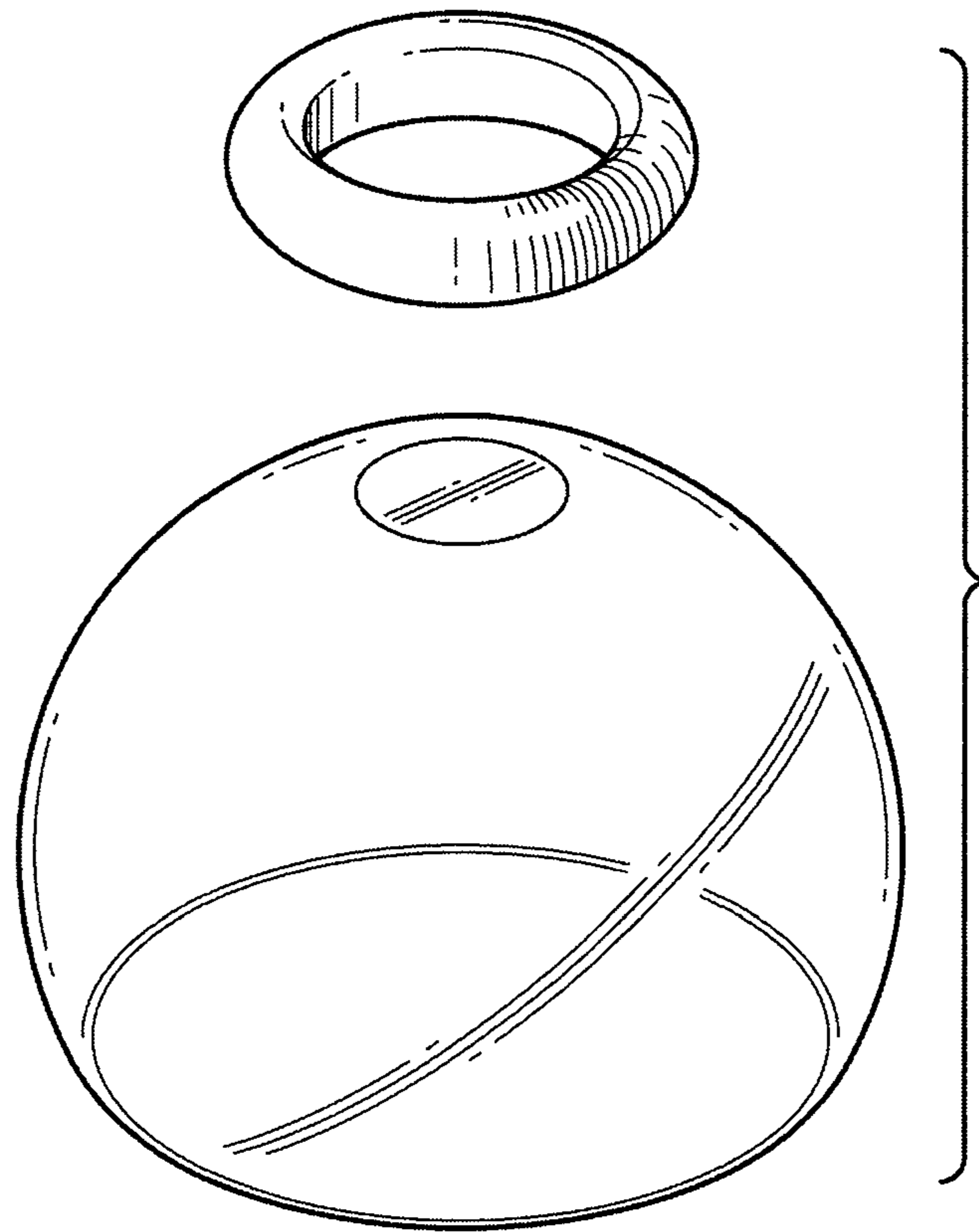


FIG. 4

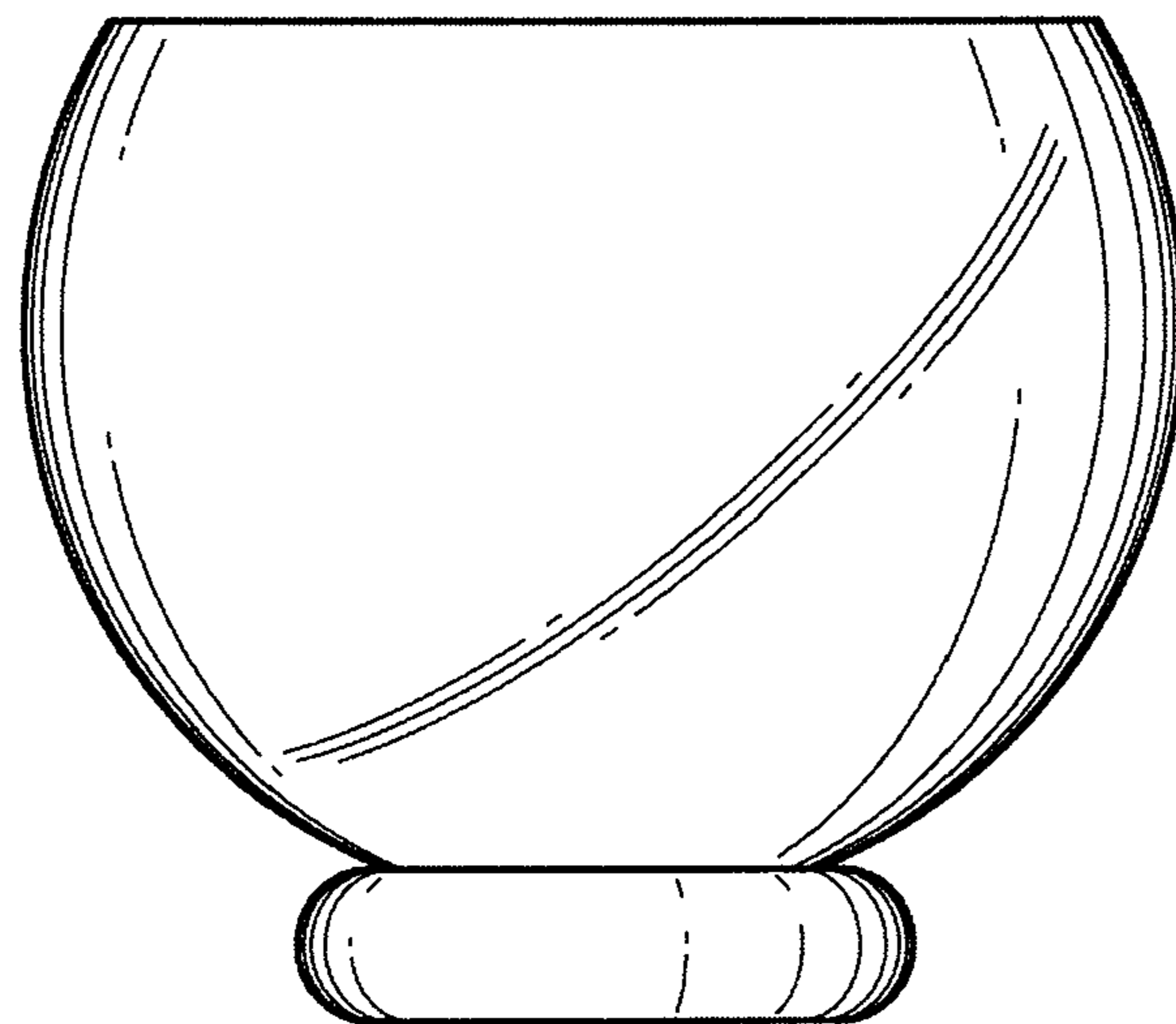


FIG. 5

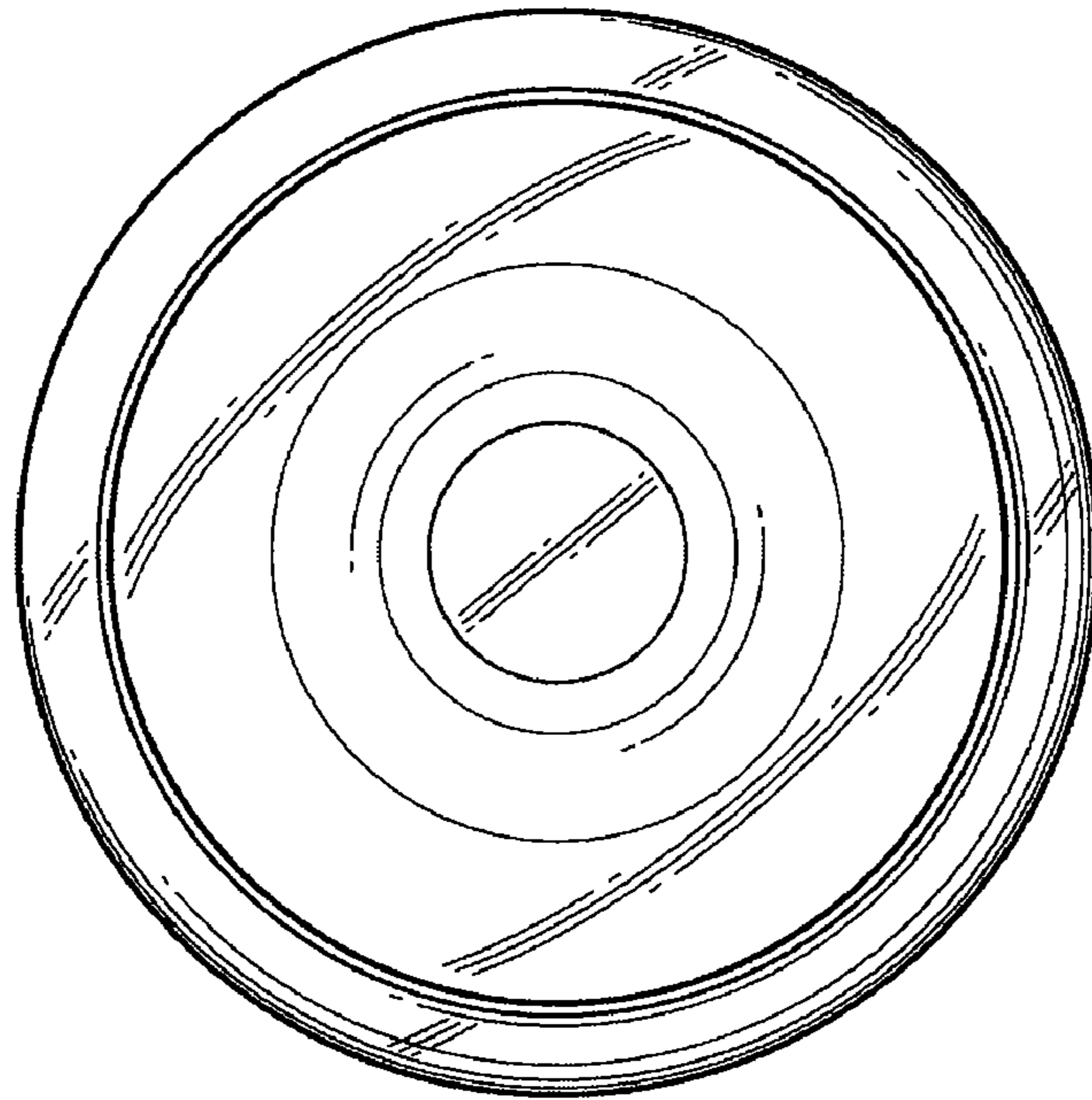


FIG. 6

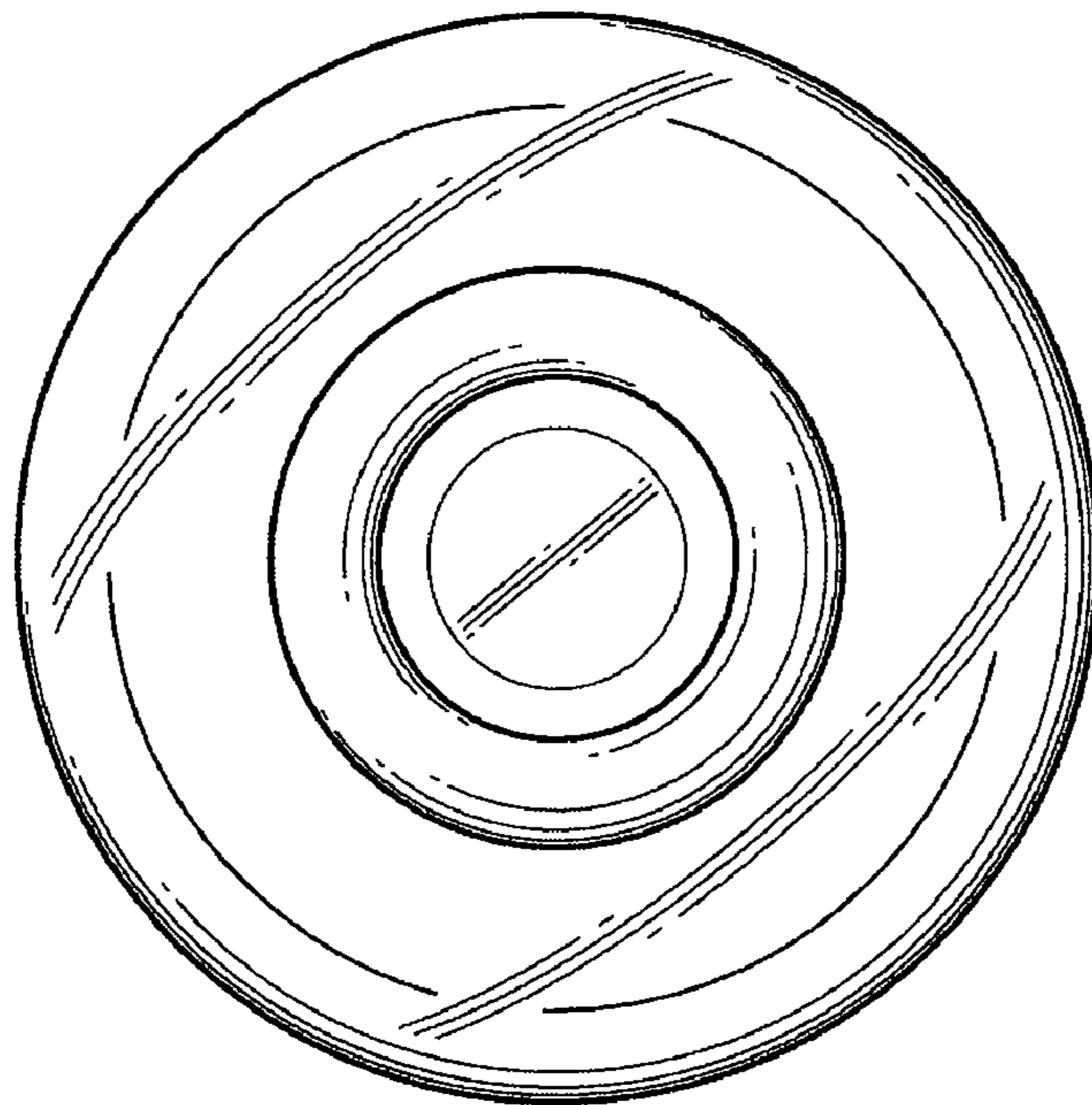


FIG. 7