



US00D575105S

(12) **United States Design Patent**  
**Gauss**

(10) **Patent No.:** **US D575,105 S**

(45) **Date of Patent:** **\*\* Aug. 19, 2008**

(54) **TEA INFUSER**

(75) Inventor: **Kurt Frederick Gauss**, Spokane, WA  
(US)

(73) Assignee: **GSI Outdoors, Inc.**, Spokane, WA (US)

(\*\*) Term: **14 Years**

(21) Appl. No.: **29/294,223**

(22) Filed: **Dec. 31, 2007**

(51) **LOC (8) Cl.** ..... **07-01**

(52) **U.S. Cl.** ..... **D7/399; D7/397**

(58) **Field of Classification Search** ..... D7/399,  
D7/397, 387, 400, 700, 319, 317, 589, 590,  
D7/601, 602, 630, 647, 667; 210/348, 295,  
210/473; D23/209; 215/360; 99/319, 323,  
99/279, 322; D9/429, 433; 220/676, 913  
See application file for complete search history.

(56) **References Cited**

U.S. PATENT DOCUMENTS

520,168	A *	5/1894	Postlethwaite	.....	210/497.01
545,662	A *	9/1895	Stewart	.....	220/300
1,436,294	A *	11/1922	Scott	.....	210/473
D246,109	S *	10/1977	Rosaen	.....	D23/209
D396,603	S *	8/1998	Gasser	.....	D7/400
D447,911	S *	9/2001	J.o slashed.rgensen	.....	D7/400

6,283,013	B1 *	9/2001	Romandy et al.	.....	99/322
D461,290	S *	8/2002	Shilling et al.	.....	D34/1
D563,161	S *	3/2008	Bodum	.....	D7/400
D565,350	S *	4/2008	Gauger	.....	D7/400
2007/0101870	A1 *	5/2007	Liu et al.	.....	99/495

\* cited by examiner

*Primary Examiner*—Philip Hyder

*Assistant Examiner*—Cynthia Underwood

(74) *Attorney, Agent, or Firm*—Bergman & Jeckle, PLLC;  
William A. Jeckle; Keith S. Bergman

(57) **CLAIM**

The ornamental design for a tea infuser, as shown.

**DESCRIPTION**

FIG. 1 is a perspective view of the tea infuser showing my new design, the broken line showing of the water bottle and cap are provided to show environmental structure and form no part of the claimed design.

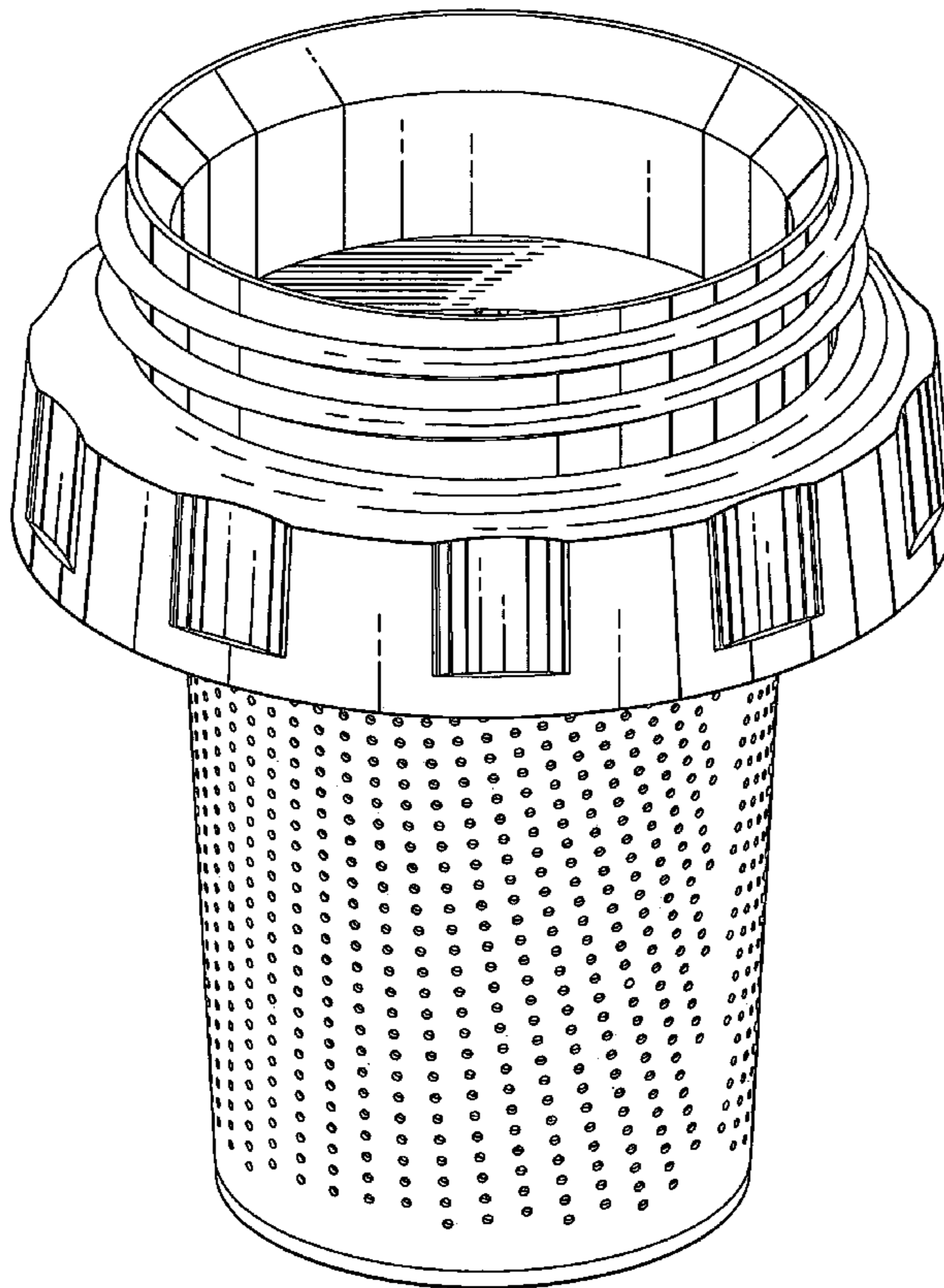
FIG. 2 is an isometric top and side view of the tea infuser showing my design.

FIG. 3 is an orthographic left side view thereof which is the same as the right side view.

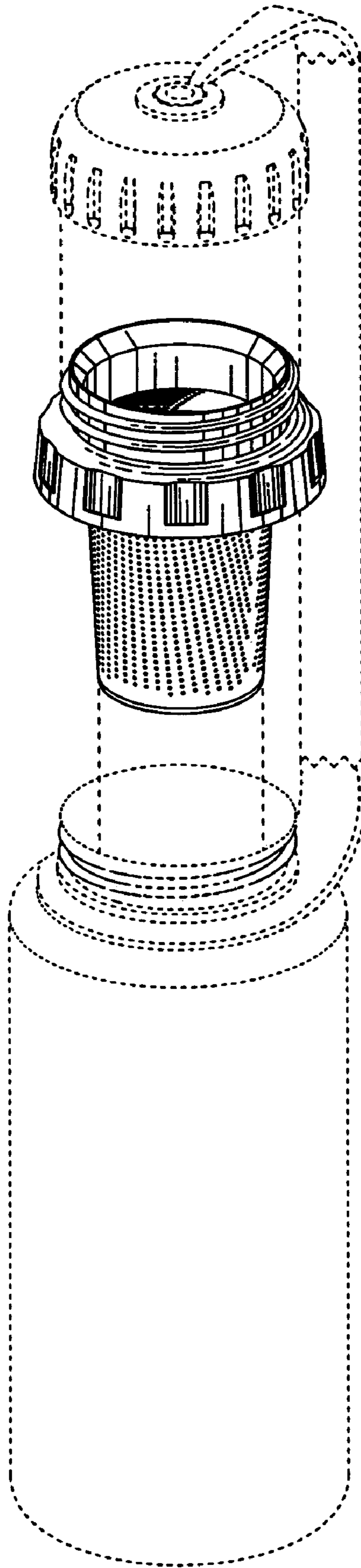
FIG. 4 is an orthographic bottom view thereof; and,

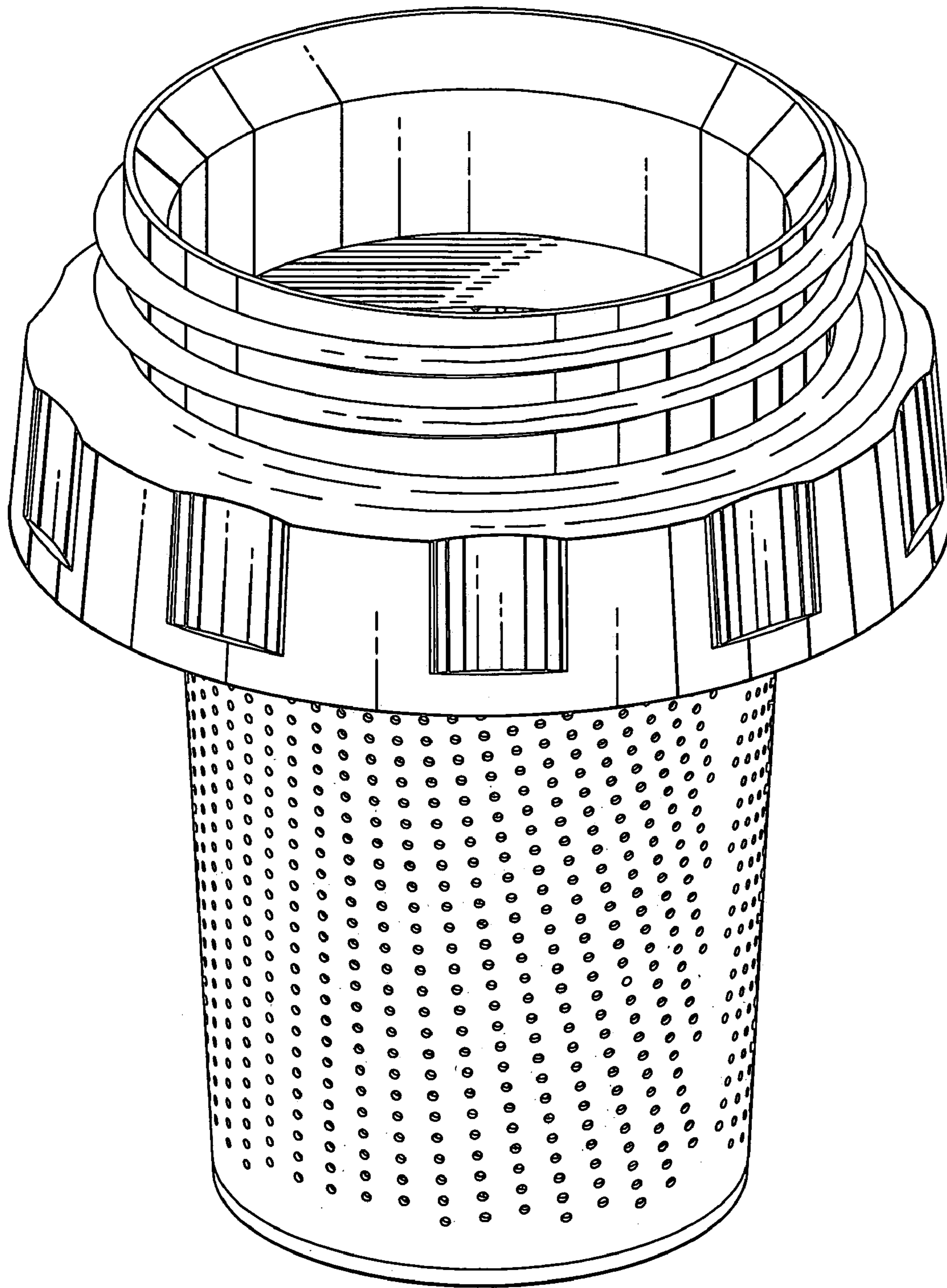
FIG. 5 is an orthographic top view thereof.

**1 Claim, 5 Drawing Sheets**



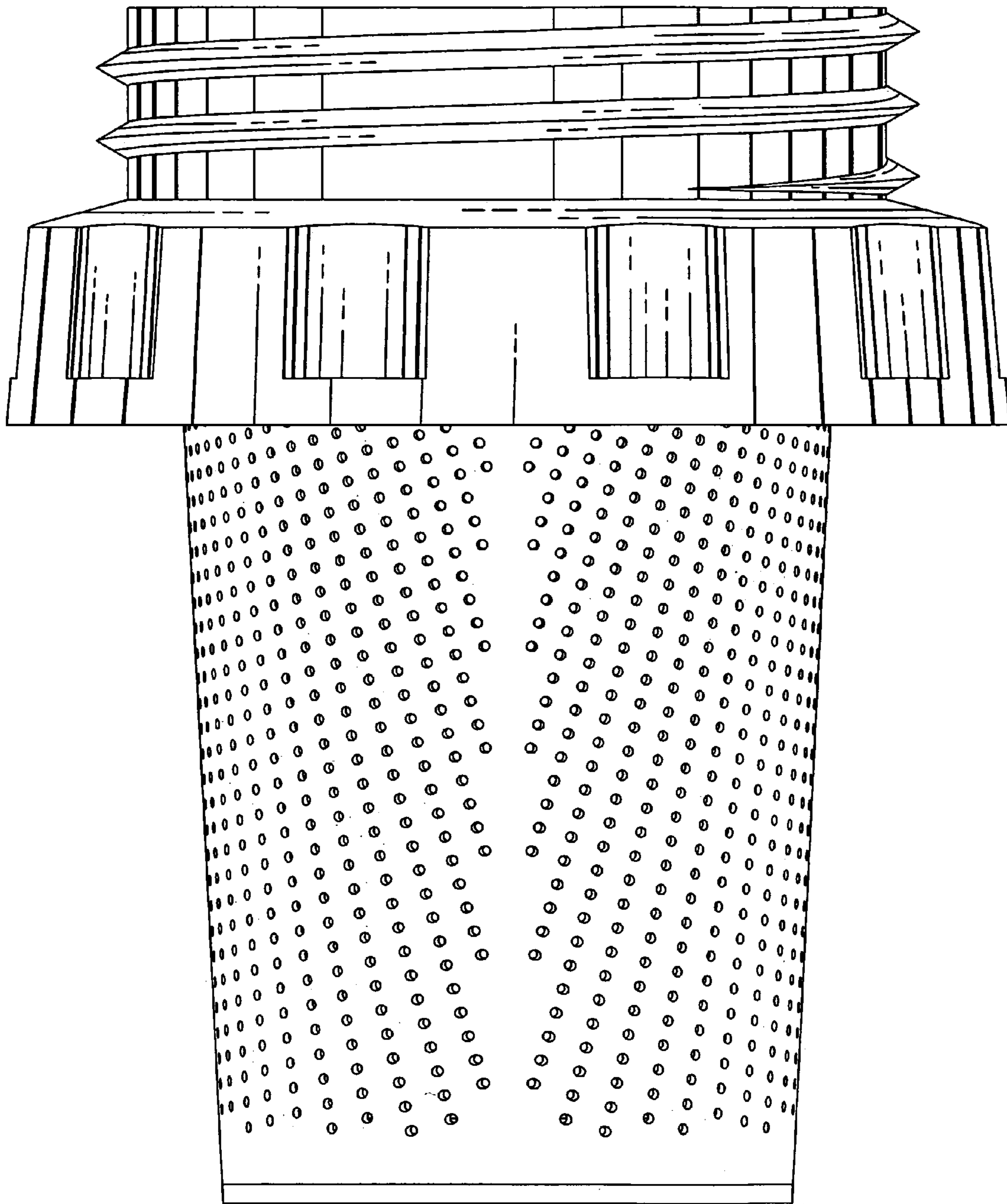
*Fig. 1*





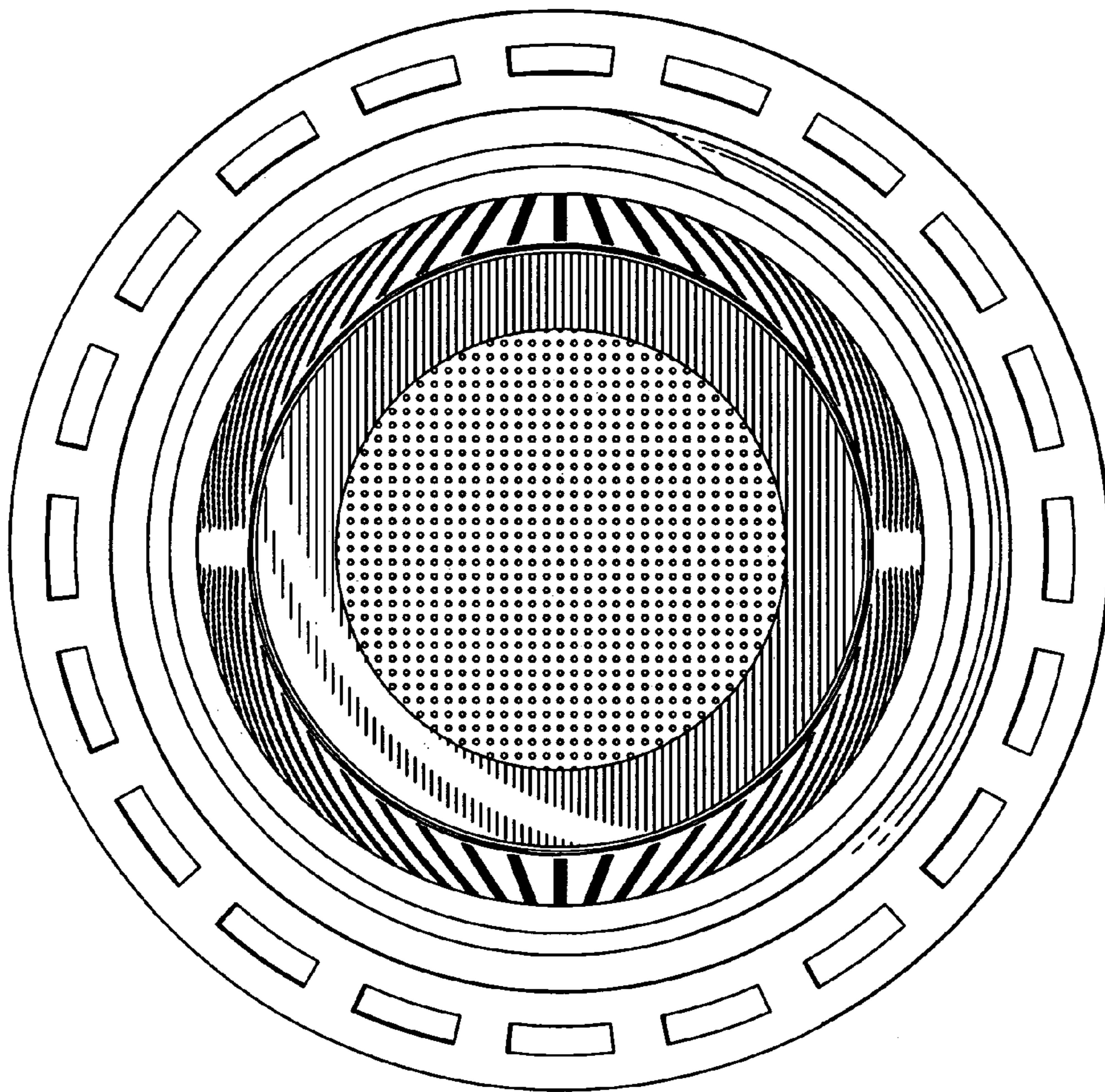
*Fig. 2*





*Fig. 3*

*Fig. 4*



*Fig. 5*

