



US00D575102S

(12) **United States Design Patent**
Rajasekaran et al.

(10) **Patent No.:** **US D575,102 S**
(45) **Date of Patent:** **** Aug. 19, 2008**

(54) **UTENSIL HANDLE**

(75) Inventors: **Mohan Rajasekaran**, Bristol, CT (US);
Scott A. Johnstone, Pleasant Valley, CT
(US); **Michael Bryan Mennone**,
Guilford, CT (US)

(73) Assignee: **Tailor Made Products, Inc.**,
Oconomowoc, WI (US)

(**) Term: **14 Years**

(21) Appl. No.: **29/297,151**

(22) Filed: **Nov. 5, 2007**

(51) **LOC (8) Cl.** **07-02**

(52) **U.S. Cl.** **D7/395**

(58) **Field of Classification Search** D7/393,
D7/395, 401.2, 682, 692, 642-648, 649-652,
D7/664, 688, 693, 696, 381; D8/83, 101,
D8/107, 307; 30/340-344, 147-149; 16/430,
16/431, 110.1; D4/129, 138, 101, 104
See application file for complete search history.

(56) **References Cited**

U.S. PATENT DOCUMENTS

- D399,388 S * 10/1998 Cohen et al. D7/401.2
- D431,960 S * 10/2000 Hay D7/401.2
- D439,412 S * 3/2001 Volpenhein et al. D4/104
- D446,104 S * 8/2001 Chen D8/107
- D457,033 S * 5/2002 Helman et al. D7/401.2
- D463,133 S * 9/2002 Hohlbein D4/104
- D476,487 S * 7/2003 Saindon et al. D4/104

- 6,601,272 B2 * 8/2003 Stvartak et al. 16/430
- D480,877 S * 10/2003 Crossman et al. D4/104
- D495,198 S * 8/2004 Gonzalez D7/395
- D520,295 S * 5/2006 Schreiber-Pethan et al. .. D7/395
- D534,727 S * 1/2007 Vu D4/101

* cited by examiner

Primary Examiner—Holly H Baynham

Assistant Examiner—Cynthia M Chin

(74) *Attorney, Agent, or Firm*—Whyte Hirschboeck Dudek
SC

(57) **CLAIM**

The ornamental design for a utensil handle, as shown and described.

DESCRIPTION

FIG. 1 is a perspective view of the design;

FIG. 2 is a top elevational view of the embodiment shown in FIG. 1;

FIG. 3 is a side view of the embodiment shown in FIG. 2, the other side being a mirror image thereof;

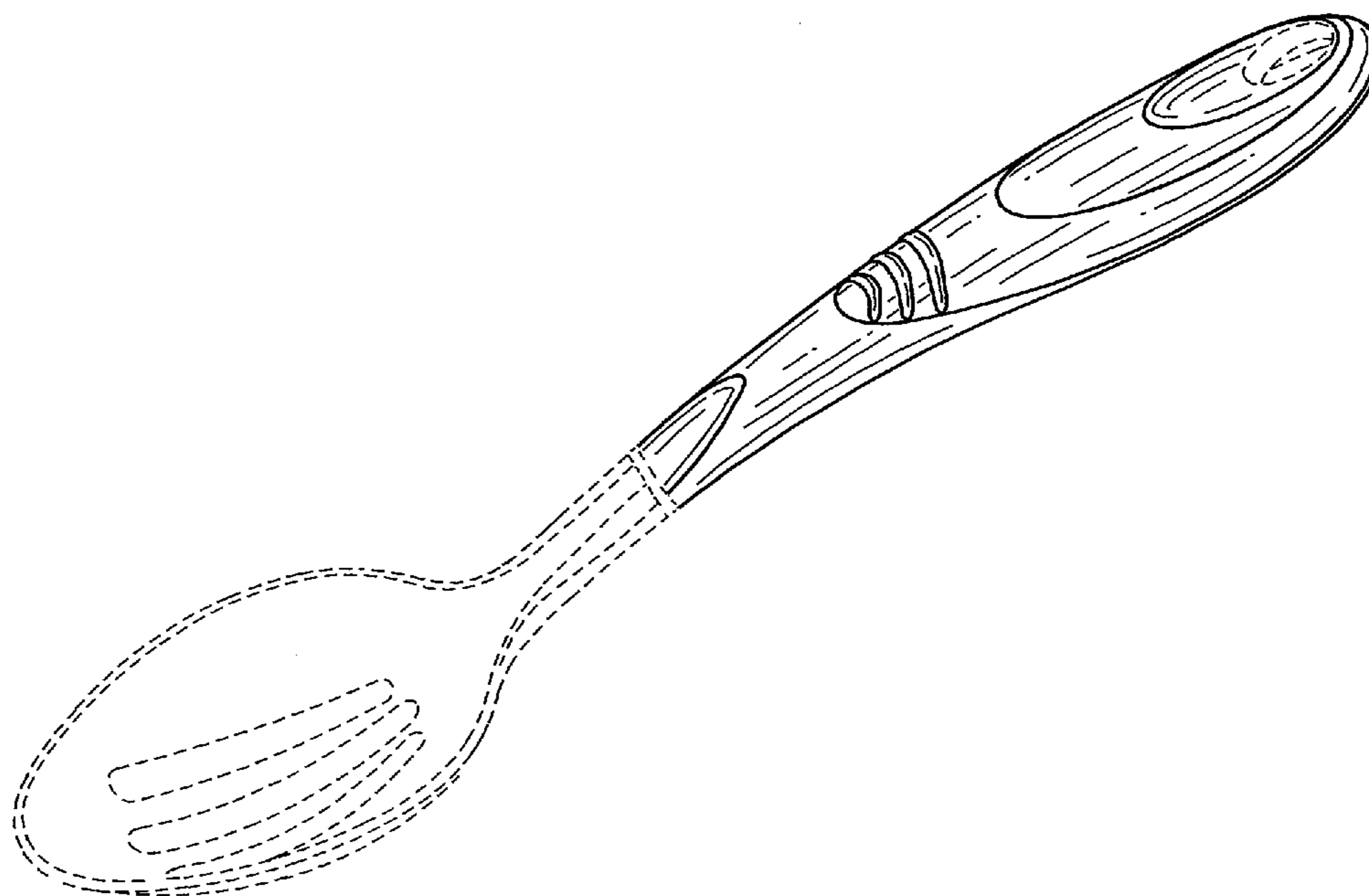
FIG. 4 is a front view of the embodiment shown in FIG. 2;

FIG. 5 is a rear view of the embodiment shown in FIG. 2; and,

FIG. 6 is a bottom view of the embodiment of the design shown in FIG. 2.

The broken lines shown in the figures are for illustrative environmental purposes only and form no part of the claimed design.

1 Claim, 3 Drawing Sheets



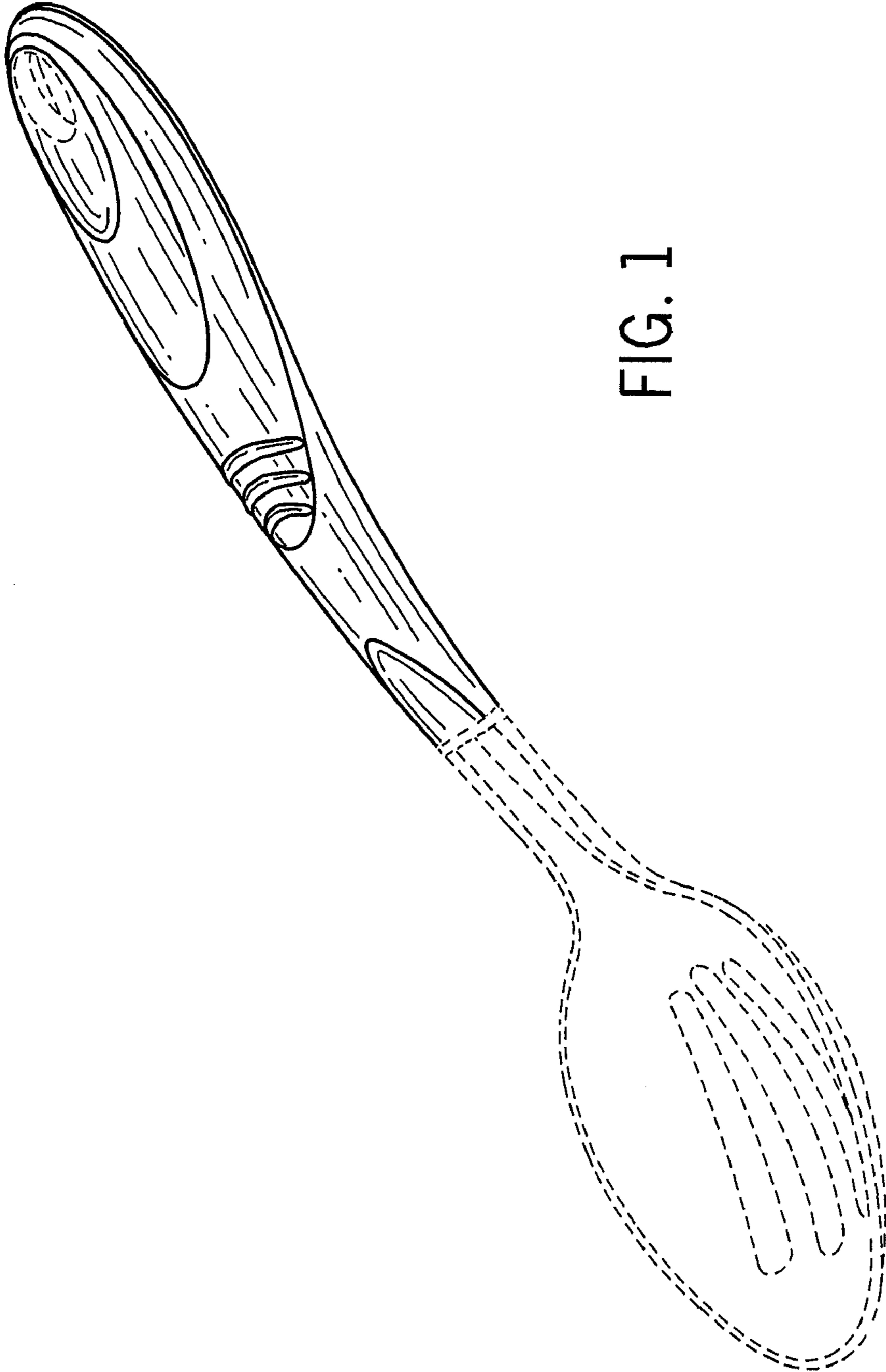


FIG. 1

FIG. 2

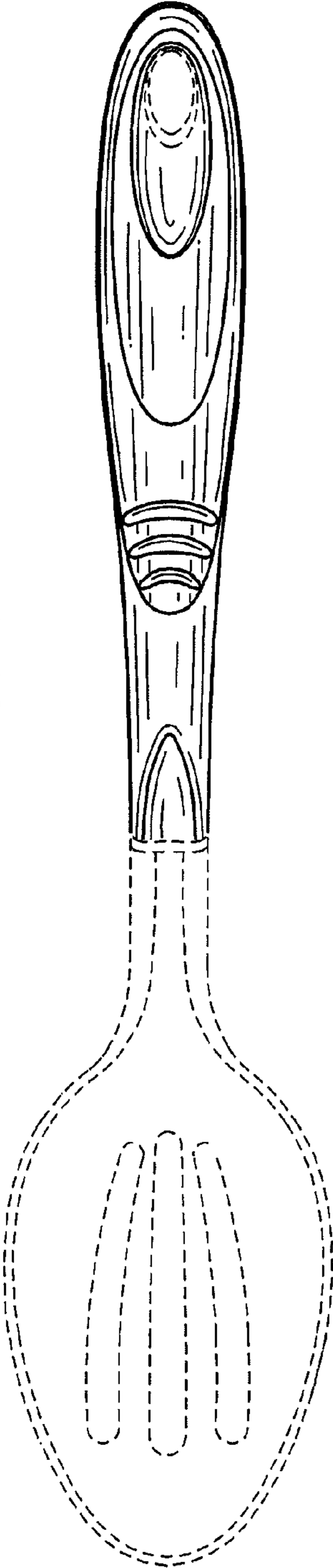
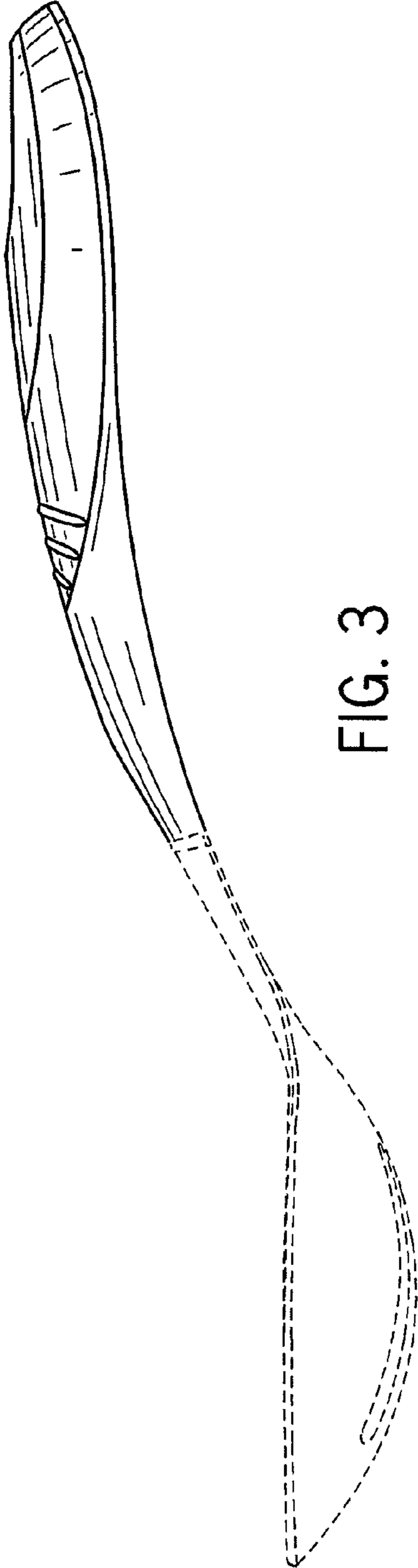


FIG. 3



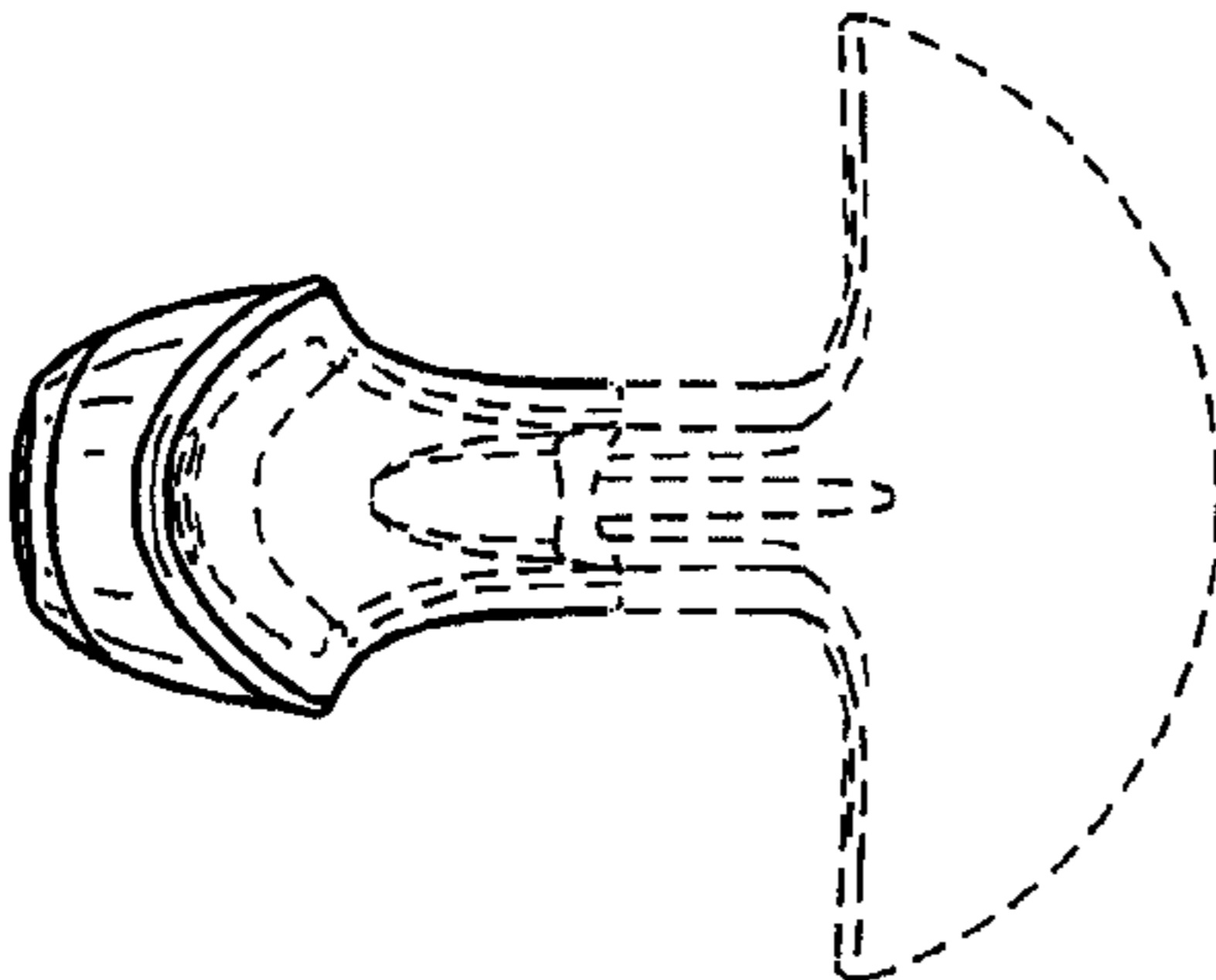


FIG. 4

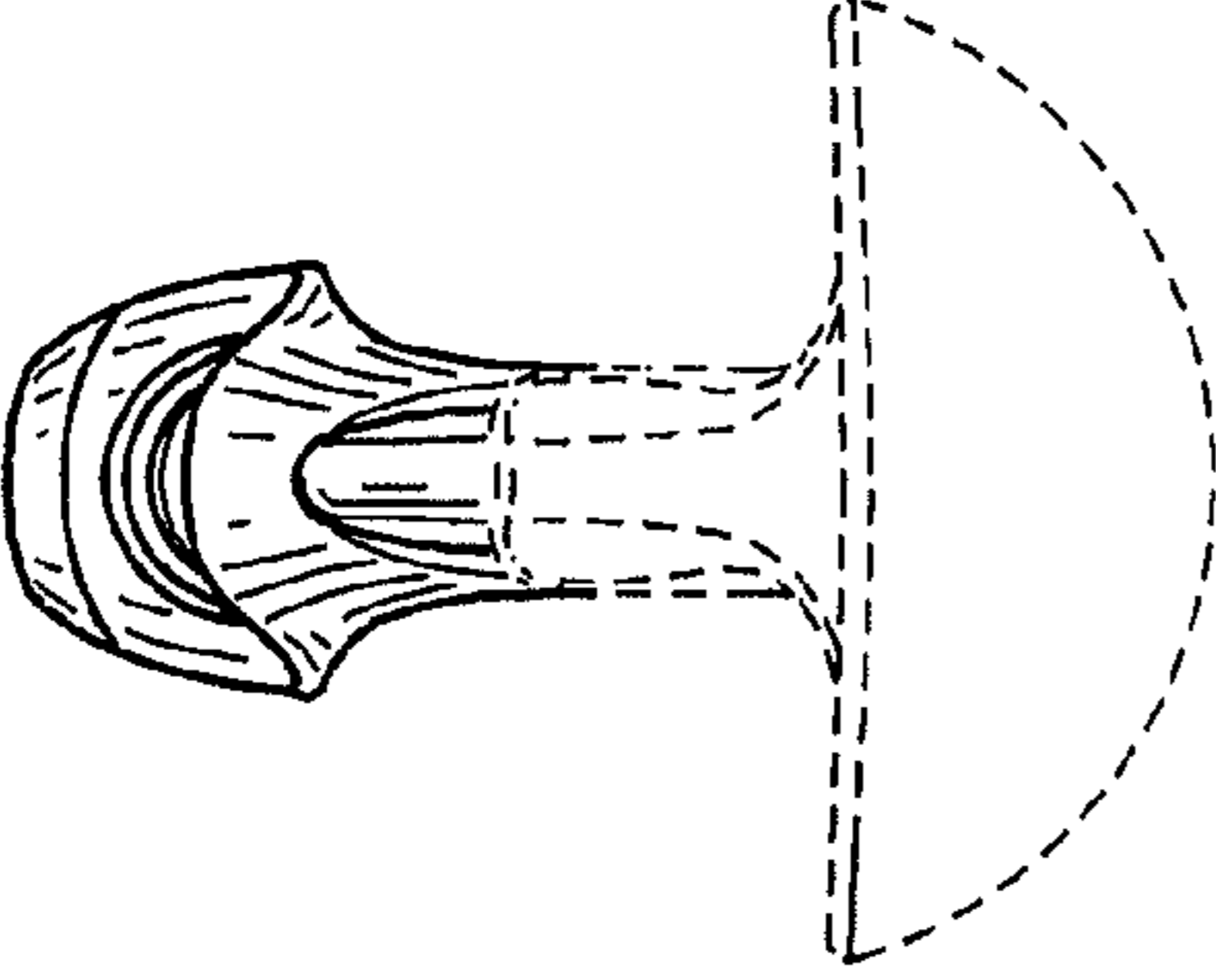


FIG. 5

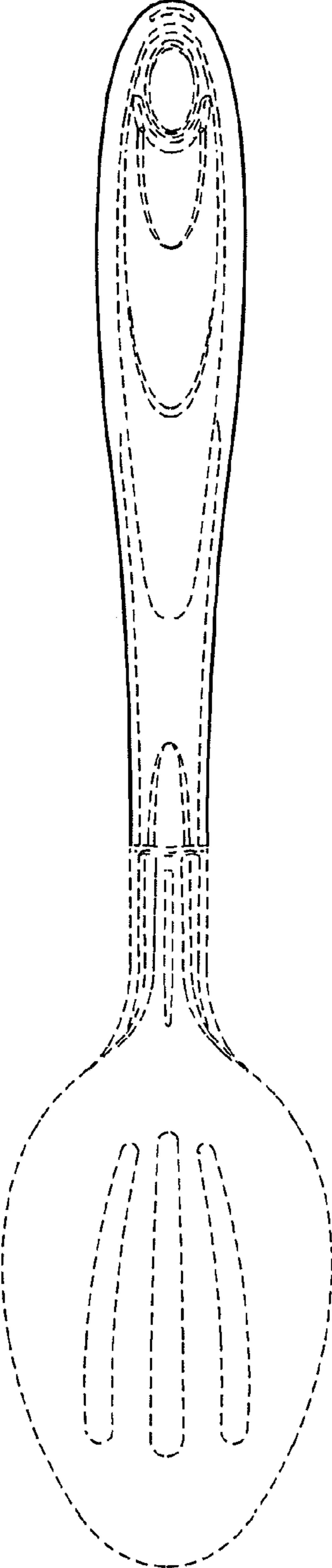


FIG. 6