



US00D575099S

(12) **United States Design Patent**
Jalet

(10) **Patent No.:** **US D575,099 S**
(45) **Date of Patent:** **** Aug. 19, 2008**

(54) **MANUAL ROTARY MIXER**
(75) Inventor: **Vincent Jalet**, Brussels (BE)
(73) Assignee: **Dart Industries Inc.**, Orlando, FL (US)
(**) Term: **14 Years**

D427,011 S * 6/2000 Yip D7/384
D431,426 S * 10/2000 Yip D7/679
D434,597 S * 12/2000 Yip D7/384
D447,017 S * 8/2001 Jalet D7/693
D480,613 S * 10/2003 Wong D7/693
D527,588 S * 9/2006 de Groote et al. D7/693
D530,995 S * 10/2006 Jalet et al. D7/693

(21) Appl. No.: **29/292,735**
(22) Filed: **Oct. 25, 2007**

* cited by examiner

Primary Examiner—Caron D. Veynar
Assistant Examiner—Ricky Pham
(74) *Attorney, Agent, or Firm*—John A. Doninger

(51) **LOC (8) Cl.** **31-00**
(52) **U.S. Cl.** **D7/376**
(58) **Field of Classification Search** D7/323,
D7/372–373, 376–386, 412–414, 538–542,
D7/601–602, 629, 665, 669, 678–679, 693;
99/337, 492, 495, 509–513, 645; 100/213–218;
241/92–95, 166–169, 169.1, 264, 270–278.2,
241/283, 285.1–285.3, 291, 292.1; 366/64–67,
366/98, 197–207, 241–254, 279–292, 341–343
See application file for complete search history.

(57) **CLAIM**

The ornamental design for a manual rotary mixer, as shown and described.

DESCRIPTION

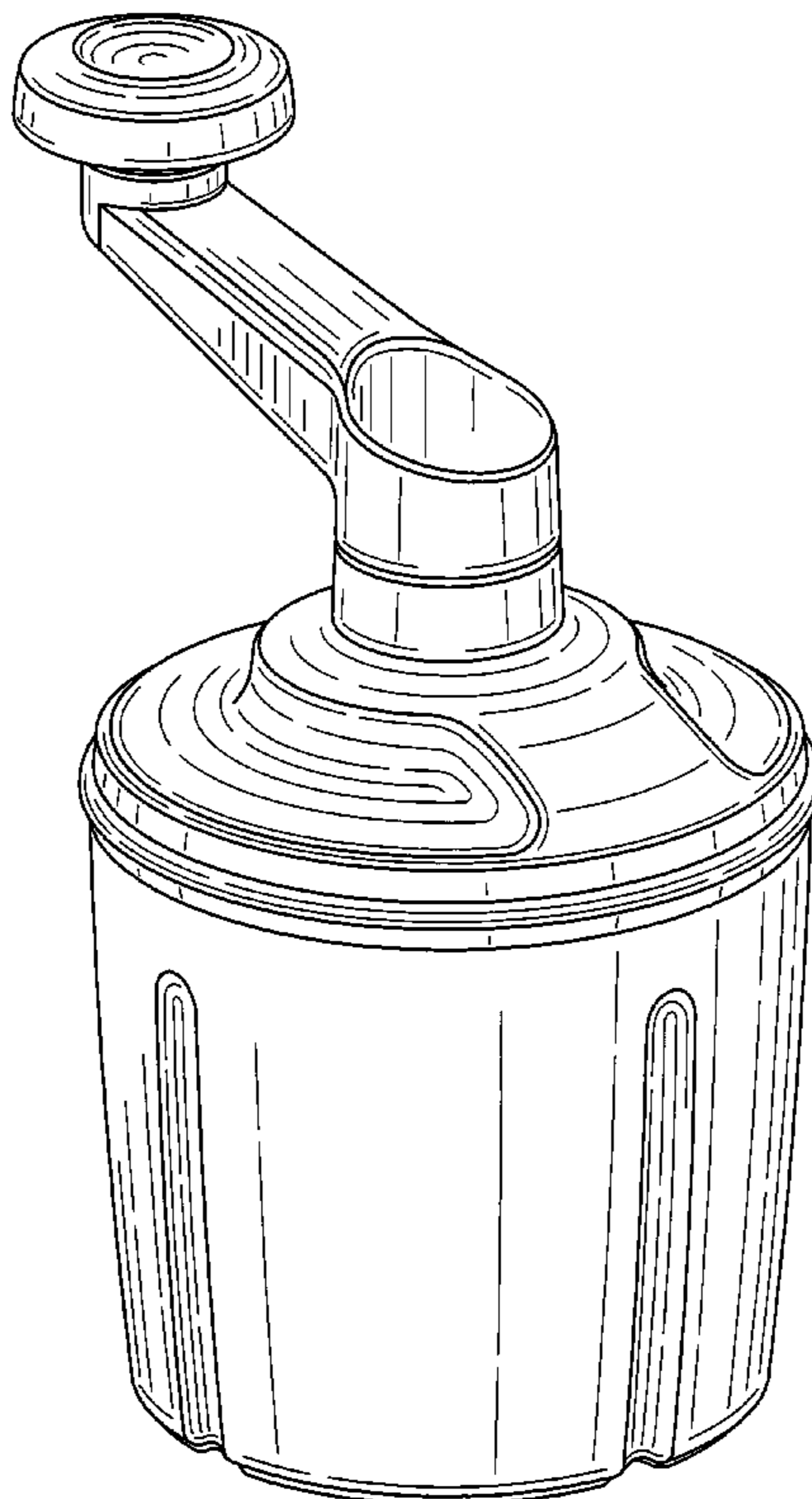
FIG. 1 is a top, right side and front perspective view of a manual rotary mixer showing my new design;
FIG. 2 is a front elevation view thereof, the rear elevation being a mirror image thereof;
FIG. 3 is a right side elevation view thereof;
FIG. 4 is a left side elevation view thereof;
FIG. 5 is a top plan view thereof; and,
FIG. 6 is a bottom plan view thereof.

(56) **References Cited**

U.S. PATENT DOCUMENTS

5,156,084 A * 10/1992 Lin 99/495
D361,694 S * 8/1995 Wong D7/384
D413,761 S * 9/1999 Conran et al. D7/384
D415,938 S * 11/1999 Blaise D7/678
6,035,771 A * 3/2000 Conran et al. 99/510
D426,744 S * 6/2000 Wong D7/384

1 Claim, 5 Drawing Sheets



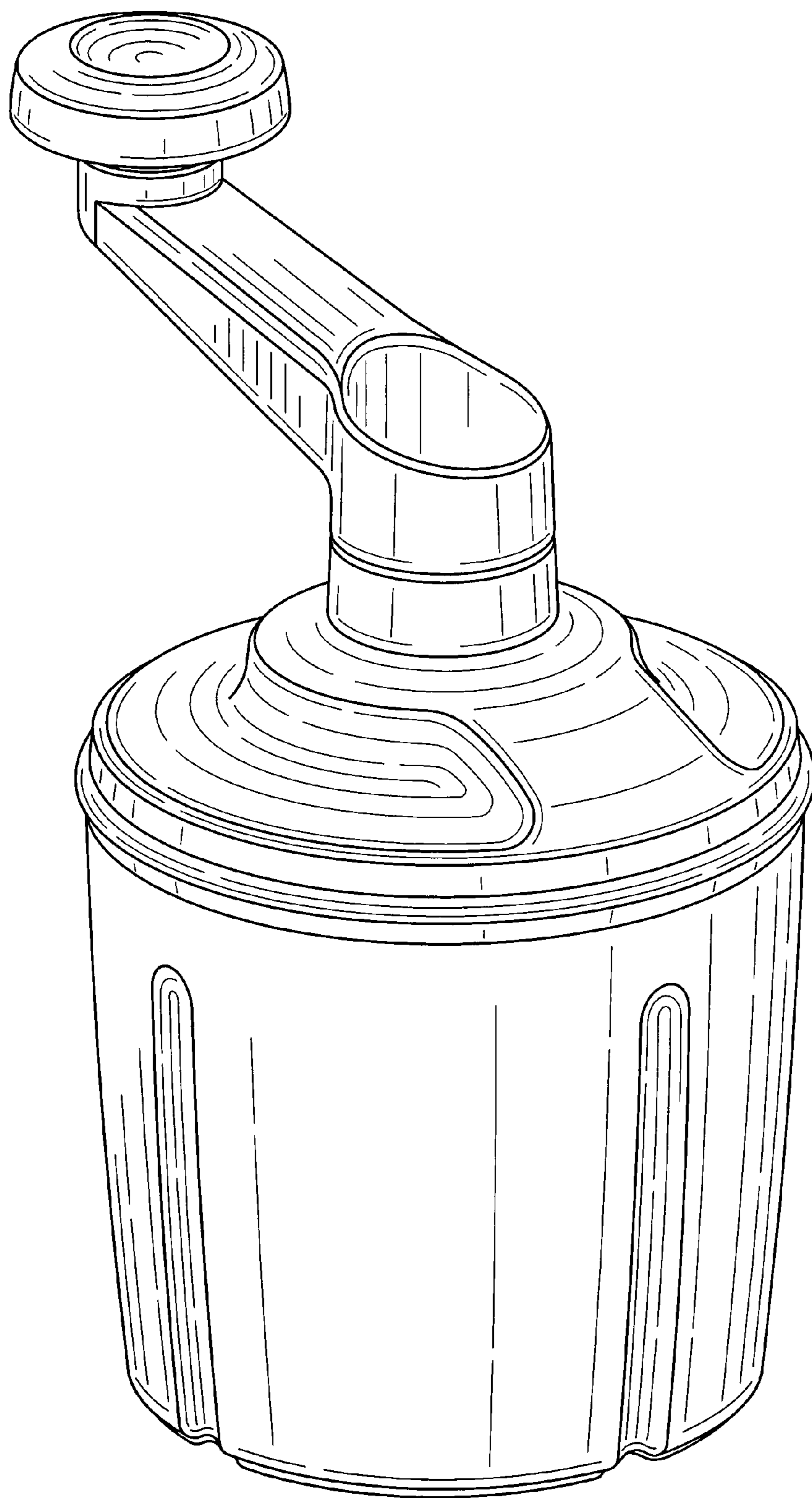


FIG. 1

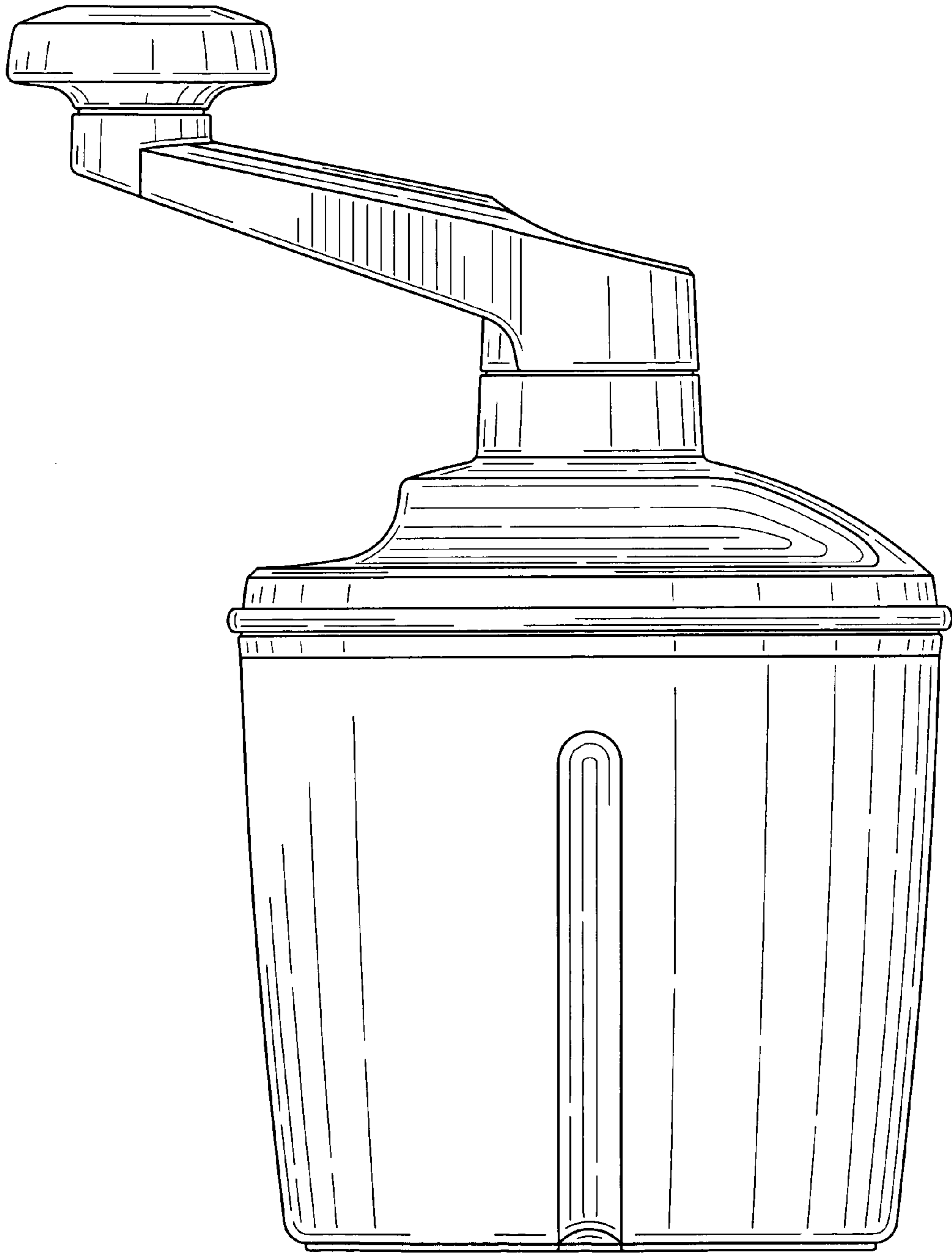


FIG. 2

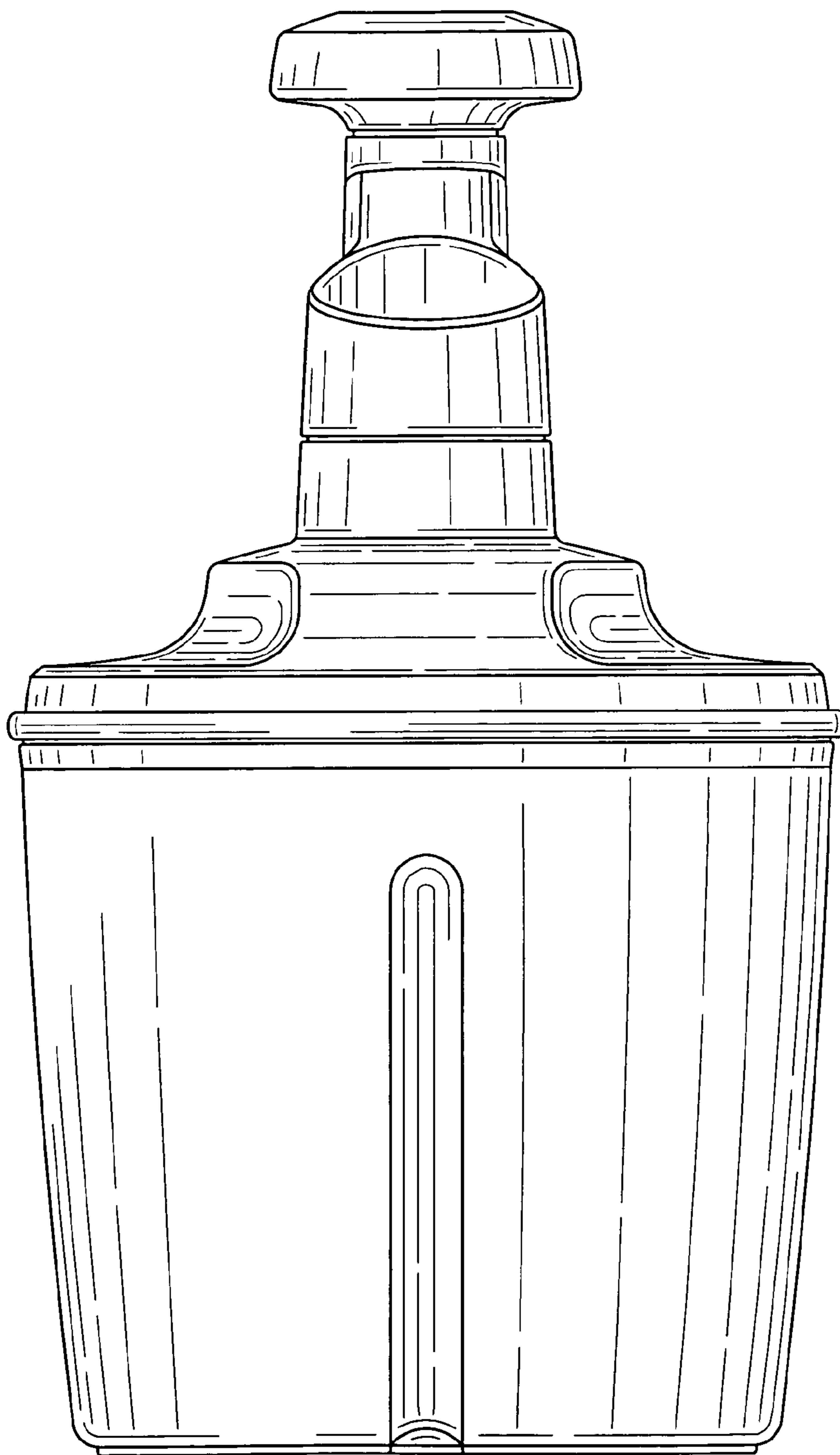


FIG. 3

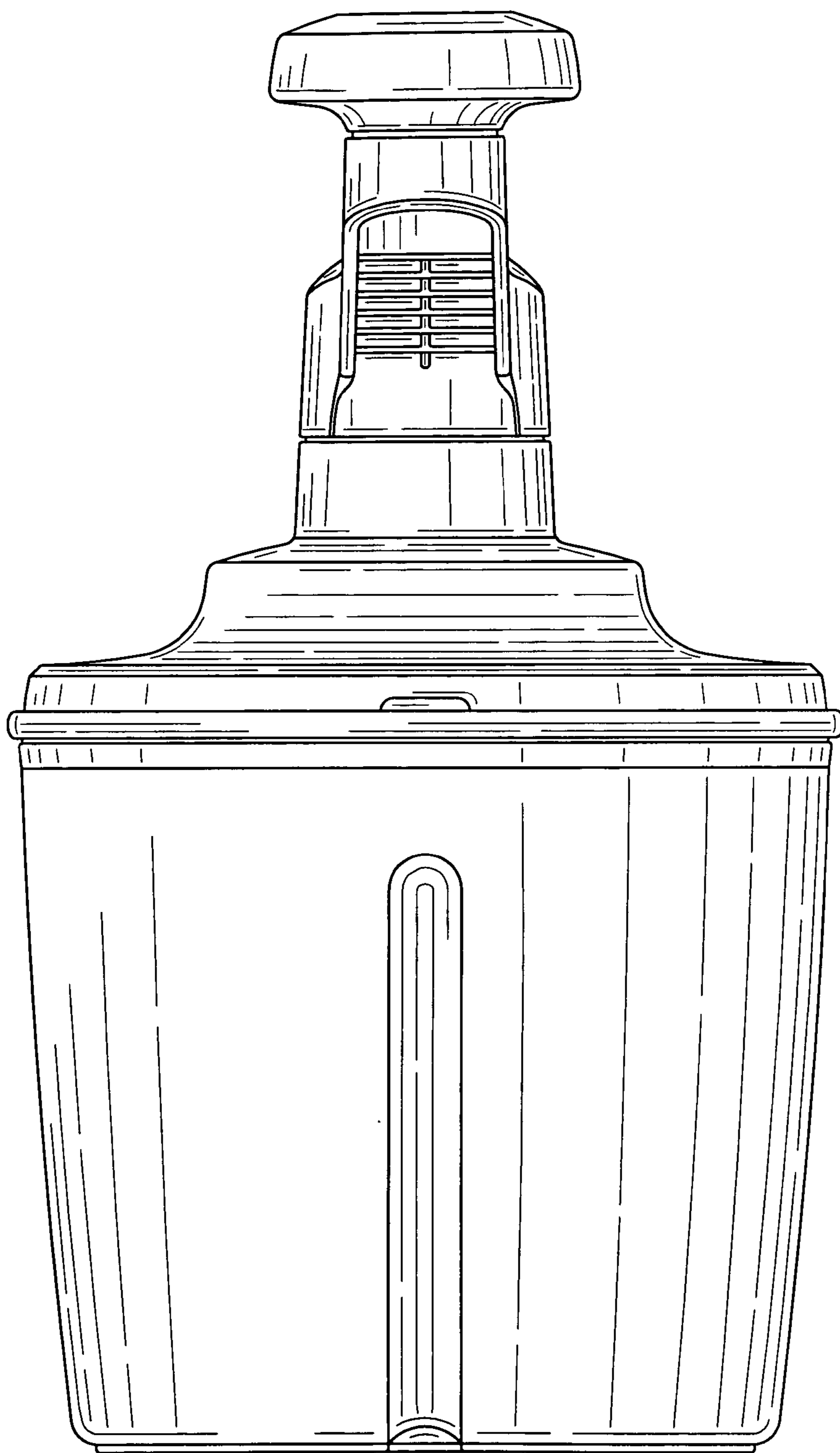


FIG. 4

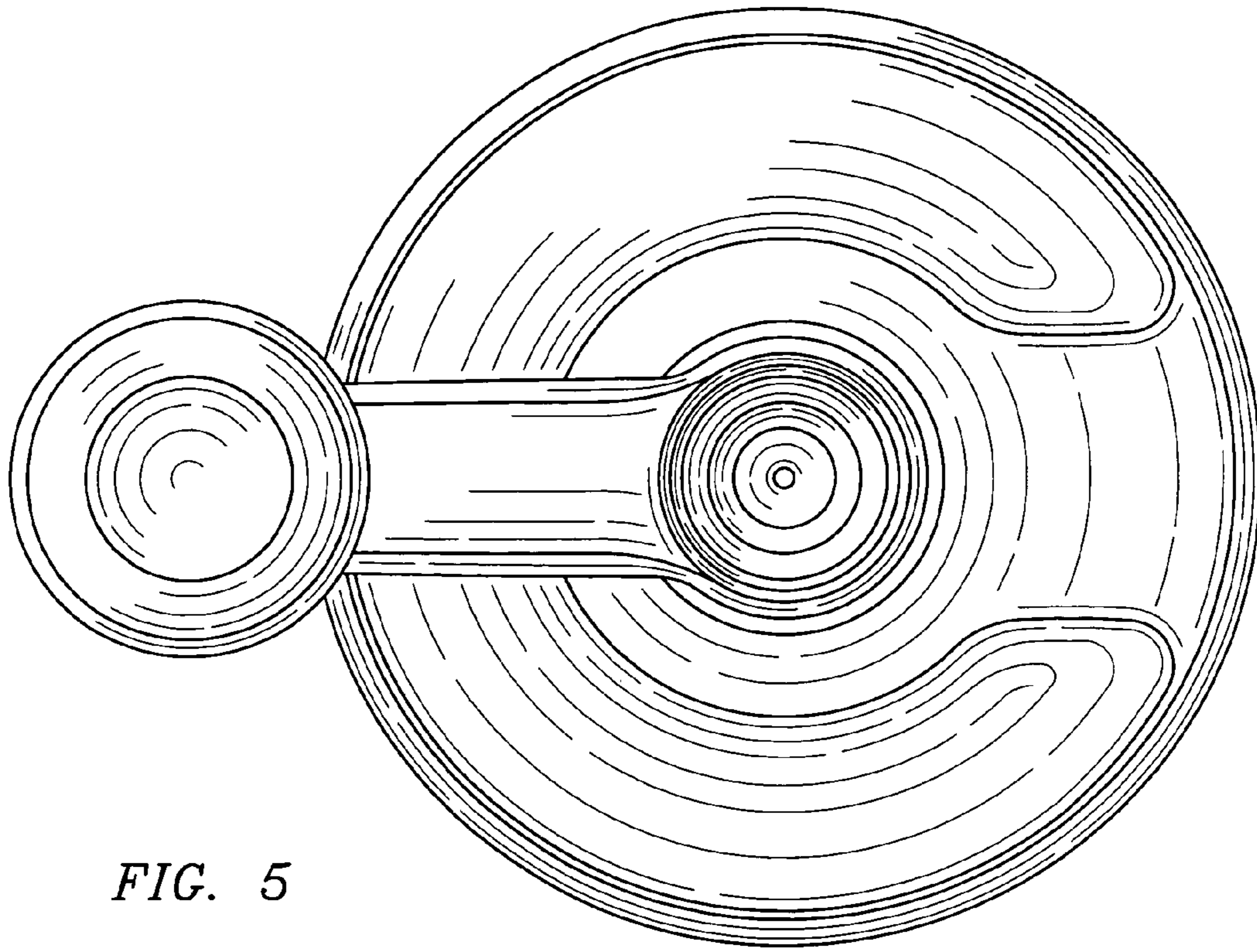


FIG. 5

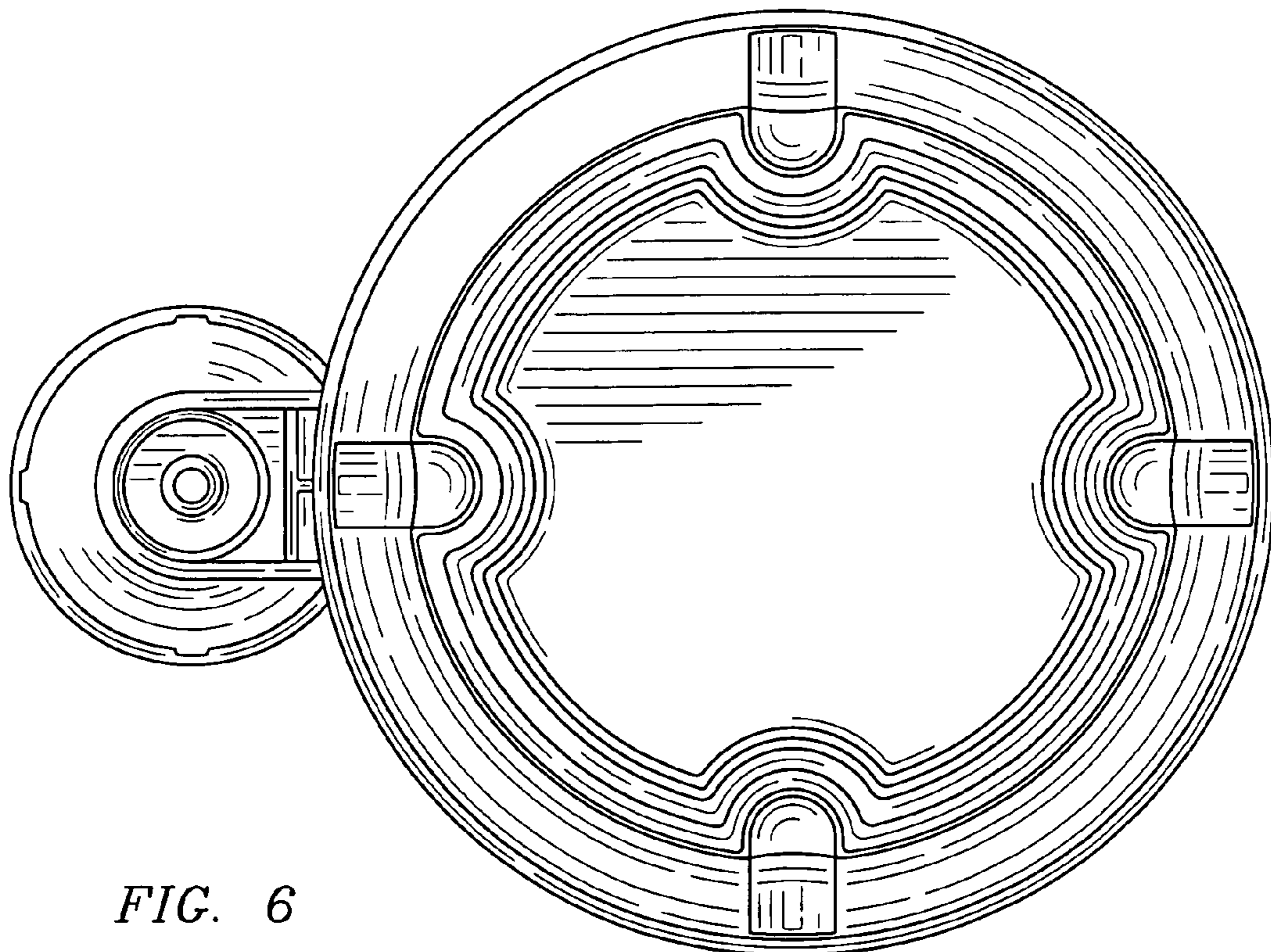


FIG. 6