



US00D575095S

(12) **United States Design Patent**
Schreiber-Pethan et al.

(10) **Patent No.:** **US D575,095 S**
(45) **Date of Patent:** **** Aug. 19, 2008**

(54) **PAN**
(75) Inventors: **Rebecca J. Schreiber-Pethan**,
Sheboygan, WI (US); **Mark V. LeGreve**,
Two Rivers, WI (US)
(73) Assignee: **The Vollrath Company, L.L.C.**,
Sheboygan, WI (US)

D50,398 S 2/1917 Miller
D50,401 S 2/1917 Miller
D56,334 S 10/1920 Beiswanger
1,607,864 A 11/1926 Butler
D75,939 S 7/1928 Tennhardt
D94,245 S 1/1935 Sebring, Jr. et al.
2,050,206 A 8/1936 Chaplin

(Continued)

(**) Term: **14 Years**

Primary Examiner—Caron D. Veynar
Assistant Examiner—Ricky Pham

(21) Appl. No.: **29/293,350**

(74) *Attorney, Agent, or Firm*—Foley & Lardner LLP

(22) Filed: **Nov. 16, 2007**

(57) **CLAIM**

(51) **LOC (8) Cl.** **07-02**

We claim the ornamental design for a pan, as shown and described.

(52) **U.S. Cl.** **D7/354**

(58) **Field of Classification Search** D7/323,
D7/354–361, 392.1, 393, 396.1, 407, 412,
D7/417, 505, 513, 540–545, 550.1, 551.1,
D7/552.1, 553.1, 553.4–553.8, 554.3, 555,
D7/584, 602, 611, 675, 698; D9/414, 420–434,
D9/446–447, 456, 757; D11/143; D30/133;
99/324, 339, 422, 426, 446, 448; 220/4.21,
220/23.2–23.8, 309.1, 367.1, 376–377, 573.1–573.4,
220/574, 601–602, 610, 629, 669, 672–675,
220/912; 229/5.82; 249/66.1, 117, 119,
249/122–124, 127, 155–156, 160

DESCRIPTION

See application file for complete search history.

FIG. 1 is a top perspective view of a pan showing our new design;

FIG. 2 is a left end elevational view thereof, the right end elevational view being the same as the left end elevational view shown;

FIG. 3 is a top plan view thereof;

FIG. 4 is front elevational view thereof, the rear elevational view being the same as the front elevational view shown;

FIG. 5 is a bottom plan view thereof;

FIG. 6 is a sectional view thereof taken along line 6–6 of FIG. 3; and

FIG. 7 is a section view thereof taken along line 7–7 of FIG. 3.

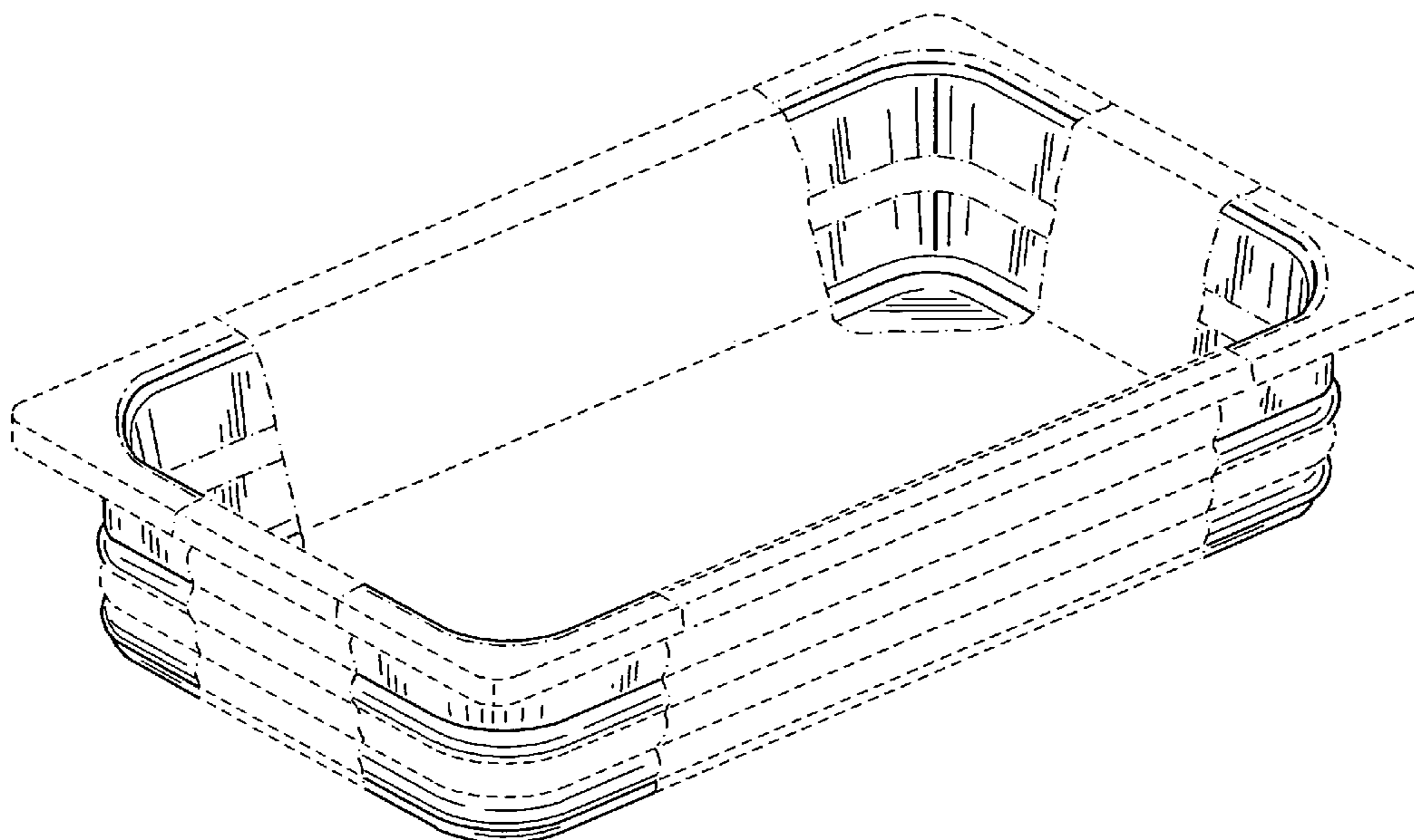
The broken lines in the drawings are for illustrative purposes only and form no part of the claimed design.

(56) **References Cited**

U.S. PATENT DOCUMENTS

70,427 A 11/1867 Fallows
184,814 A 11/1876 Adam
D15,753 S 1/1885 Knowles et al.
1,093,648 A 4/1914 Potter
D47,368 S 5/1915 Stoltz
D50,194 S 1/1917 Haley

1 Claim, 4 Drawing Sheets



US D575,095 S

Page 2

U.S. PATENT DOCUMENTS					
D101,721 S	10/1936	Spinelli et al.	D428,771 S	8/2000	Novi
D101,861 S	11/1936	Ebeling	D430,800 S *	9/2000	Sarnoff D9/425
D103,666 S	3/1937	Brogden	D432,362 S	10/2000	Fait
D113,511 S	2/1939	Heller	D434,947 S	12/2000	Wellner
D148,627 S	2/1948	La Mont	D435,197 S	12/2000	Wellner
D209,307 S	11/1967	Schilling	D439,159 S	3/2001	Chen
D214,678 S	7/1969	Weeber	D441,597 S	5/2001	Wyche
D220,846 S	6/1971	Mascetti, Jr.	D441,598 S	5/2001	Wyche
3,611,998 A	10/1971	Loscalzo	D442,019 S	5/2001	Wyche
3,792,809 A	2/1974	Schneider et al.	D442,425 S	5/2001	Wyche
D253,331 S	11/1979	Olschewski	D443,049 S	5/2001	Kuo
4,291,616 A	9/1981	Taylor	D443,173 S *	6/2001	Danielsen et al. D7/354
D264,791 S	6/1982	Conti	D443,476 S	6/2001	Miura
D264,792 S	6/1982	Conti	D446,993 S *	8/2001	Zank D7/354
D272,219 S	1/1984	Hor	D446,994 S *	8/2001	Zank D7/354
D285,515 S	9/1986	Papciak	6,293,458 B1 *	9/2001	Sarnoff 229/5.82
D287,559 S	1/1987	Daenen et al.	D450,538 S	11/2001	Benson
D288,515 S	3/1987	Rimmeir	D450,539 S	11/2001	Benson
D288,649 S	3/1987	Daenen et al.	D451,348 S	12/2001	Benson
D289,245 S	4/1987	Ritman	D452,118 S	12/2001	Benson
D289,246 S	4/1987	Ritman	D454,751 S *	3/2002	Zank D7/354
D289,717 S	5/1987	Ritman	D456,211 S	4/2002	Price
D289,843 S	5/1987	Ritman	D456,673 S	5/2002	Kerman
D289,844 S	5/1987	Daenen et al.	D457,389 S	5/2002	Snell
D291,757 S	9/1987	Ritman	D458,807 S	6/2002	Trazzi
4,723,681 A	2/1988	Glerum	D459,946 S	7/2002	Willat
D299,106 S	12/1988	Pomroy	6,415,945 B1	7/2002	Zank et al.
4,825,025 A	4/1989	Seiferth	D461,420 S	8/2002	Kerman
D315,658 S	3/1991	Scherer	D471,404 S	3/2003	Gady
D316,210 S	4/1991	Giugiaro	D471,406 S	3/2003	Wellner
D320,532 S	10/1991	Zielinski et al.	D473,758 S	4/2003	Wilson
D321,815 S	11/1991	Bowdler	6,557,720 B2	5/2003	Tosdale et al.
D325,112 S	4/1992	Thompson	D478,476 S	8/2003	Wellner
5,172,826 A	12/1992	Celaya	D478,477 S	8/2003	Tisdale et al.
D333,944 S	3/1993	Denzin et al.	D480,269 S	10/2003	Currier
D337,696 S	7/1993	Sun	D481,262 S	10/2003	Tisdale et al.
D340,617 S	10/1993	Douglas	D484,365 S	12/2003	Wyche
D345,716 S	4/1994	Kwiatkowski	D485,127 S	1/2004	Maier-Aichen
D345,895 S	4/1994	Jaworski	D488,352 S	4/2004	Tisdale et al.
D353,303 S	12/1994	Davis	D491,019 S	6/2004	Marsden et al.
D360,558 S	7/1995	Appleman	D494,062 S	8/2004	Willis
D362,155 S	9/1995	Yee	D494,419 S	8/2004	Armer
D362,594 S	9/1995	McEntee	D495,211 S	8/2004	Brown et al.
D363,662 S	10/1995	Plater	D495,564 S	9/2004	Bodum
D367,413 S	2/1996	Ballin	D495,920 S	9/2004	Isler et al.
D371,939 S	7/1996	Rigney	D496,211 S	9/2004	Netter
5,626,256 A	5/1997	Onneweer	D503,871 S	4/2005	Armer
D383,646 S	9/1997	Jeppesen et al.	D504,283 S *	4/2005	Armer D7/554.3
D384,555 S	10/1997	Bradley	D517,366 S	3/2006	Oztiryaki
5,706,980 A	1/1998	Dickerson	D521,130 S	5/2006	Mayer
D392,881 S	3/1998	Bulcher et al.	D527,942 S	9/2006	Czebiniaak
D409,447 S	5/1999	Henry	D539,094 S	3/2007	Wasserman et al.
D409,448 S	5/1999	Hudson et al.	D539,611 S	4/2007	Wasserman et al.
D411,288 S	6/1999	Cuttriss	D540,122 S	4/2007	Wasserman et al.
5,934,472 A	8/1999	Ramirez et al.	D541,590 S	5/2007	Wasserman et al.
D414,080 S	9/1999	Bolwien	D542,097 S	5/2007	Wasserman et al.
D415,656 S	10/1999	Henry	D542,098 S	5/2007	Wasserman et al.
D415,933 S	11/1999	Cornelissen	D543,787 S	6/2007	Wasserman et al.
D417,361 S *	12/1999	Mittmann et al. D7/396.1	D545,133 S	6/2007	Wasserman et al.
D418,017 S	12/1999	Henry	D547,125 S	7/2007	Wasserman et al.
D420,859 S	2/2000	Loew et al.	D547,615 S	7/2007	Wasserman et al.
D424,879 S	5/2000	Biber	D548,529 S	8/2007	Wasserman et al.
D428,770 S	8/2000	Wellner			

* cited by examiner

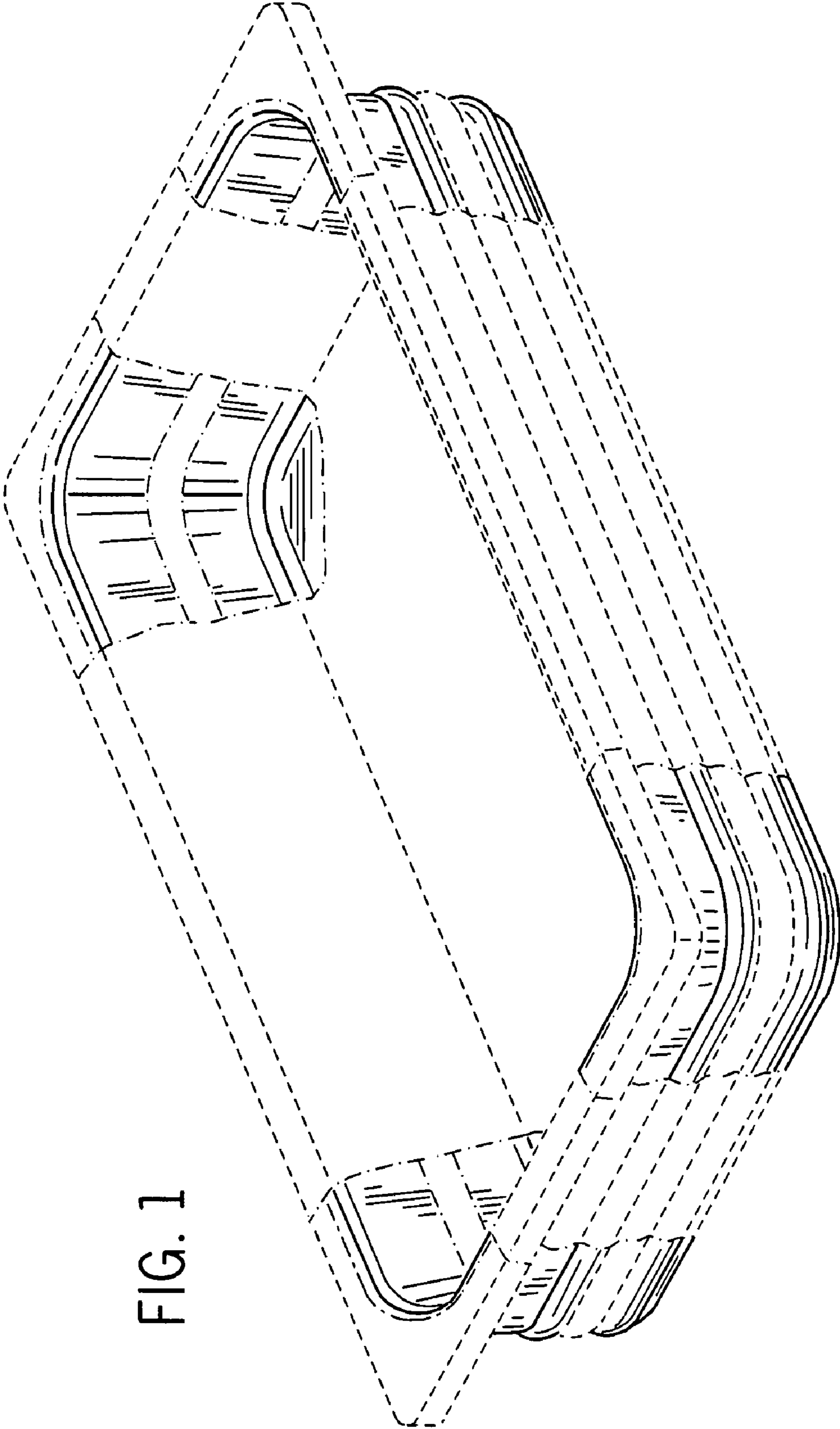


FIG. 1

FIG. 2

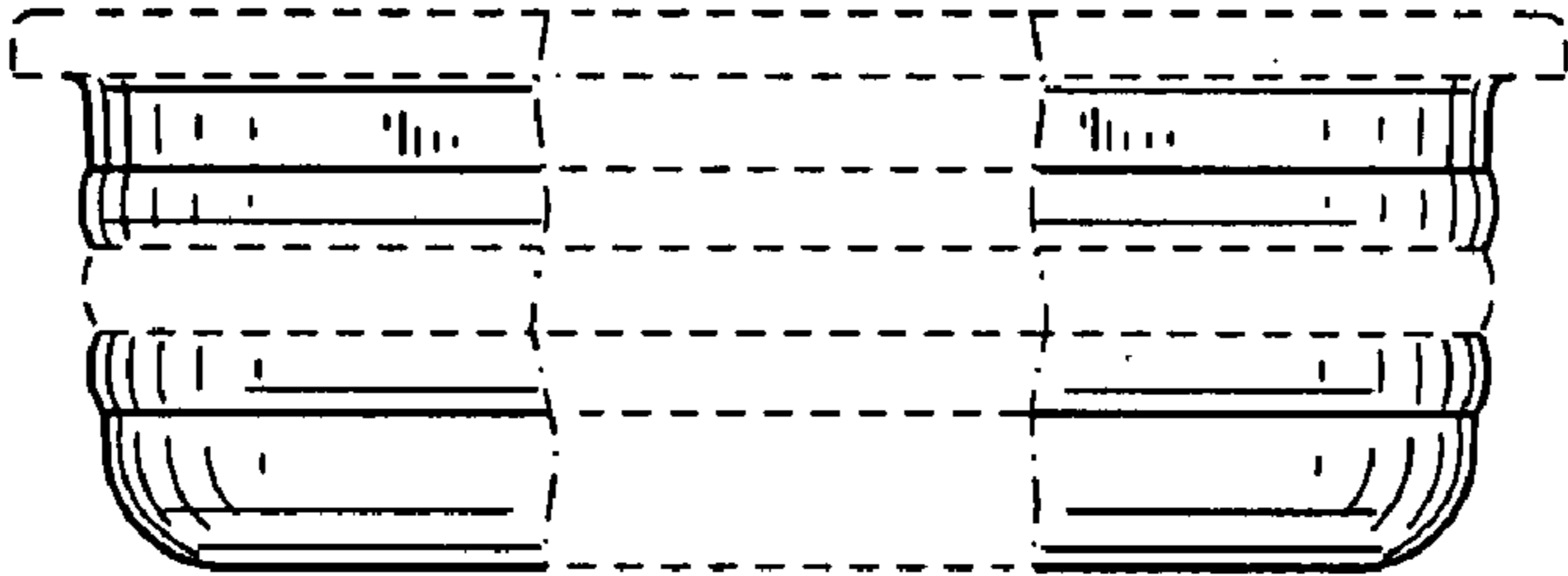


FIG. 3

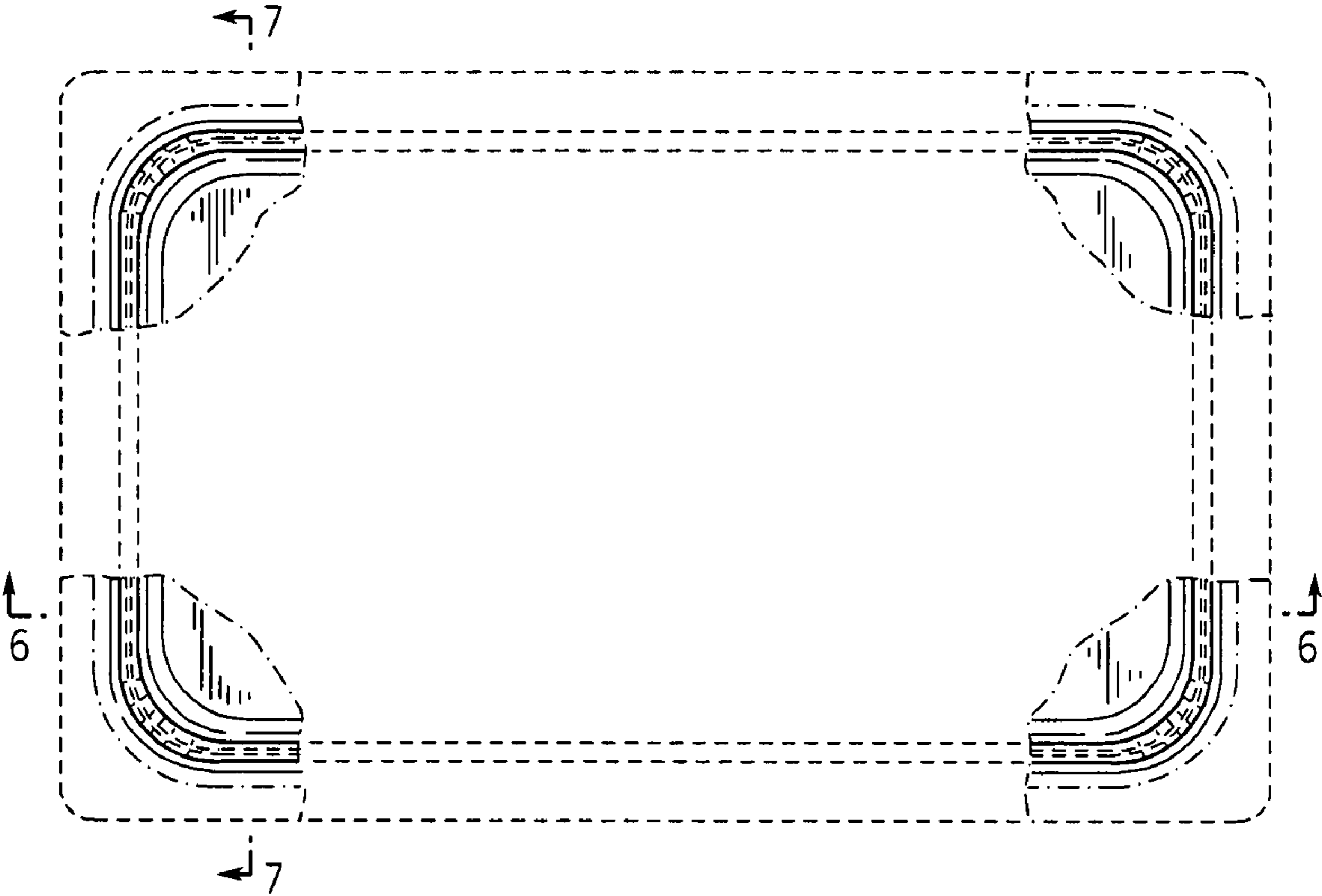


FIG. 4

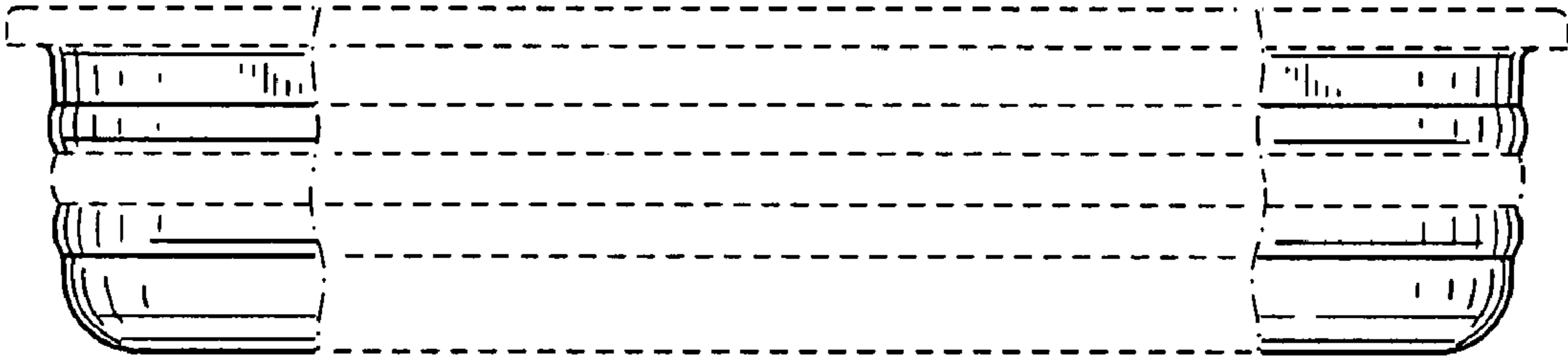
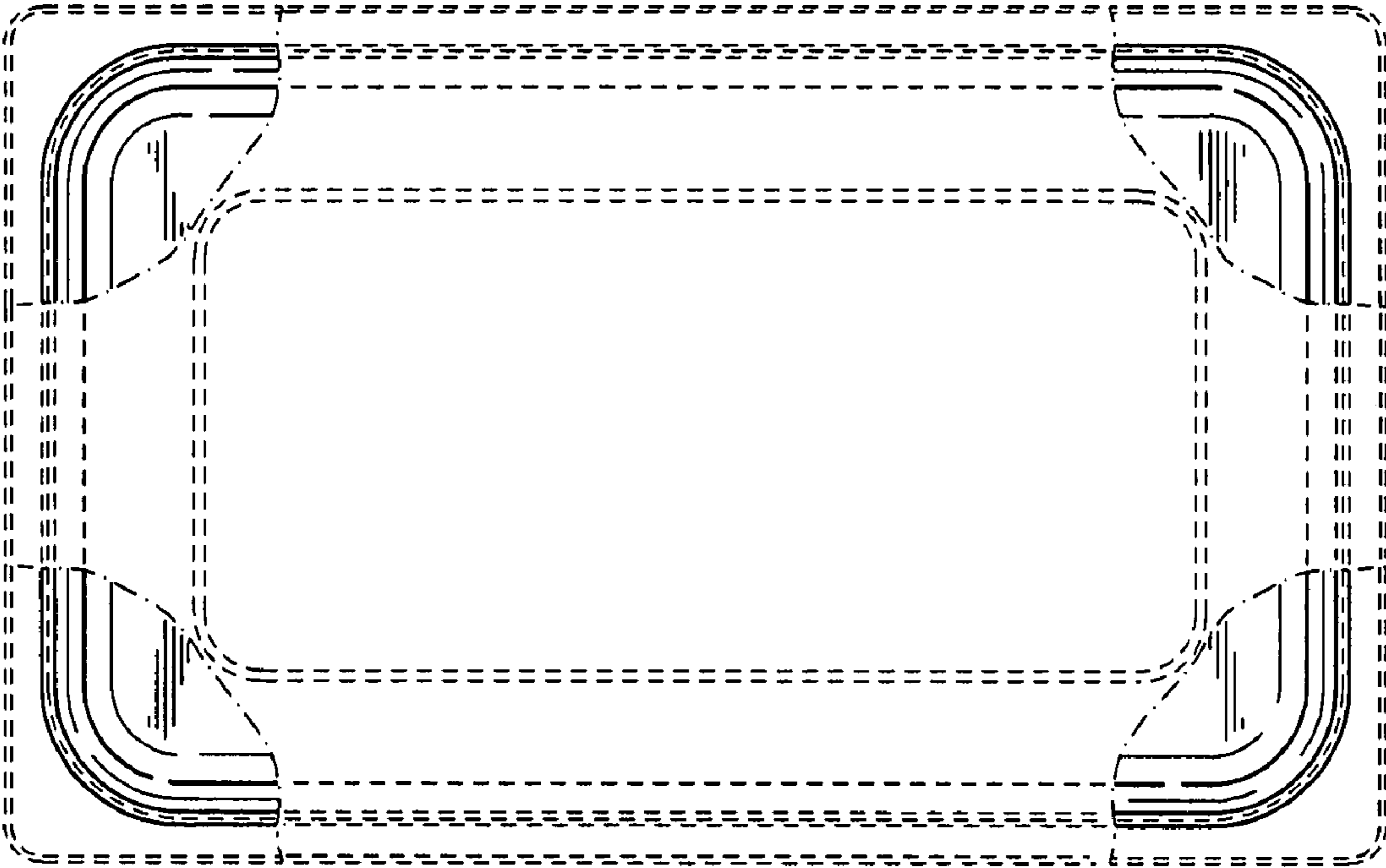


FIG. 5



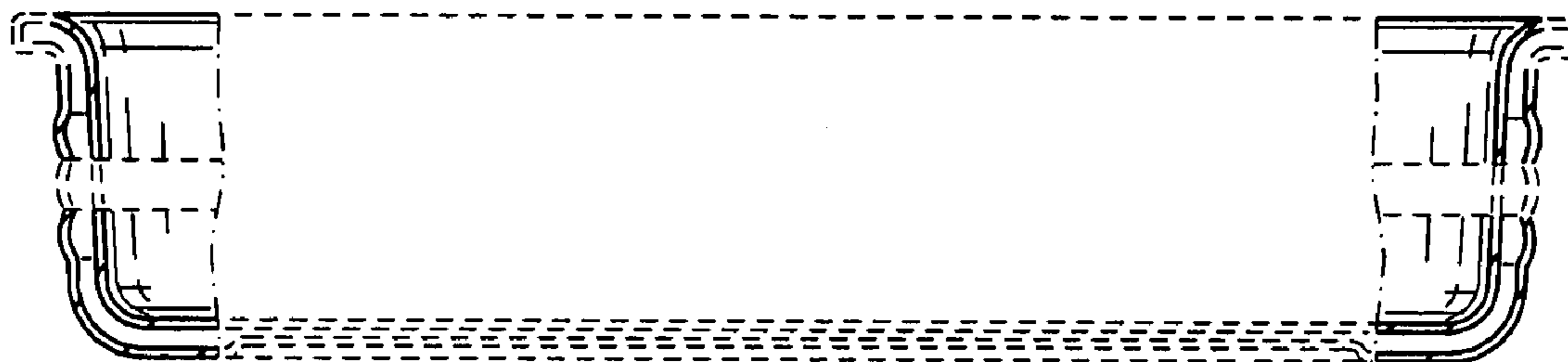


FIG. 6

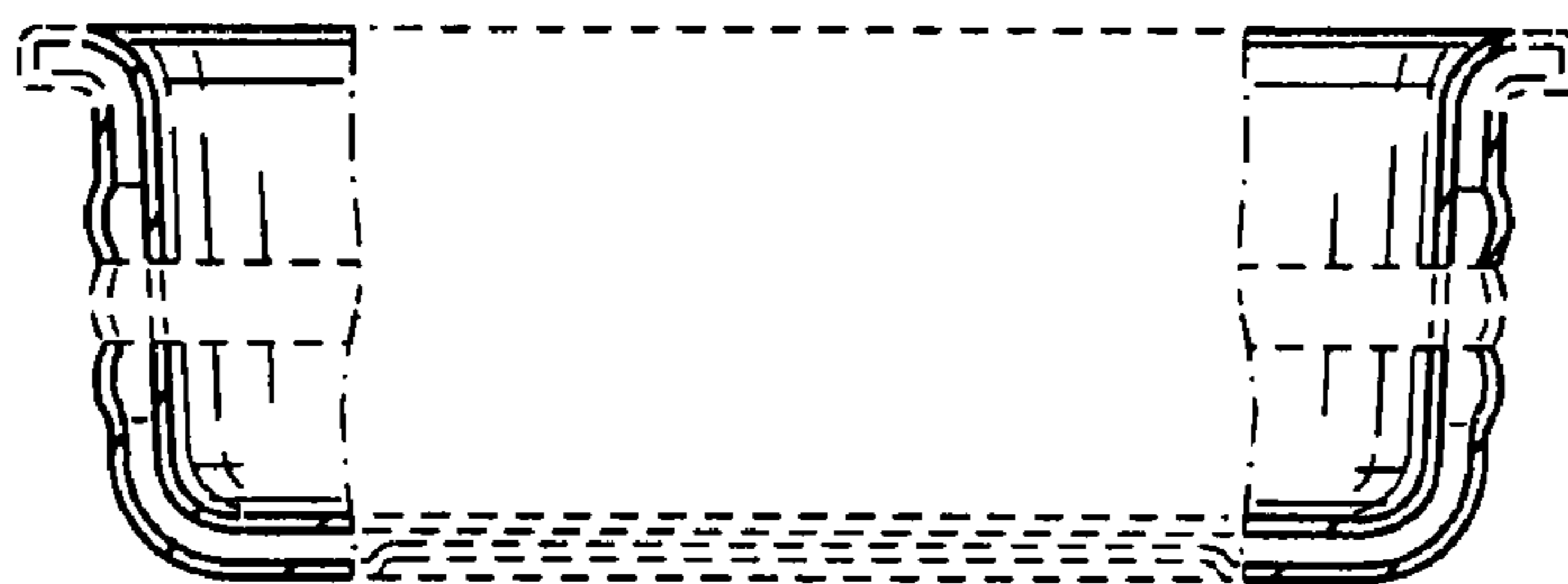


FIG. 7