



US00D575093S

(12) **United States Design Patent**
Hillson

(10) **Patent No.:** **US D575,093 S**

(45) **Date of Patent:** **** Aug. 19, 2008**

(54) **MAT FOR SPORTS**

(75) Inventor: **Nicholas Andrew Hillson**, Peterborough (GB)

(73) Assignee: **Escape Fitness Limited**, Peterborough, Cambridgeshire (GB)

(**) Term: **14 Years**

(21) Appl. No.: **29/305,614**

(22) Filed: **Mar. 25, 2008**

(51) **LOC (8) Cl.** **06-11**

(52) **U.S. Cl.** **D6/582**

(58) **Field of Classification Search** D6/582,
D6/583, 584, 585, 586, 587, 588, 589, 590,
D6/591, 592, 593, 594; D21/321, 322, 323,
D21/324, 325, 326, 327, 328, 329, 330, 331,
D21/332, 333, 334, 335, 336, 337, 338, 339,
D21/340, 341, 342, 343, 344, 345, 346, 347,
D21/348, 349; D25/300; 5/420, 658; 428/45;
446/487

See application file for complete search history.

(56) **References Cited**

U.S. PATENT DOCUMENTS

D356,709 S * 3/1995 Scott D6/585
5,970,541 A * 10/1999 Chiang 5/420
5,971,761 A * 10/1999 Tillman, Sr. 434/81

6,396,041 B1 * 5/2002 Vock et al. 250/206.2
6,574,812 B2 * 6/2003 Jakubowski et al. 5/658
D477,743 S * 7/2003 de Pauw D6/582
D478,761 S * 8/2003 Robbins, III D6/582
6,740,380 B2 * 5/2004 Kessler 428/45
D508,180 S * 8/2005 Sneed D6/582
7,018,267 B2 * 3/2006 Delaney et al. 446/487
D532,238 S * 11/2006 Thrush D6/582
D543,764 S * 6/2007 Thrush D6/582
D552,909 S * 10/2007 McGrath et al. D6/582

* cited by examiner

Primary Examiner—T. Chase Nelson

Assistant Examiner—Barbara B Lohr

(74) *Attorney, Agent, or Firm*—Richard M. Goldberg

(57) **CLAIM**

The ornamental design for a mat for sports, as shown.

DESCRIPTION

FIG. 1 is a perspective view of a mat for sports of my design;

FIG. 2 is a top plan view thereof;

FIG. 3 is a left side elevational view thereof;

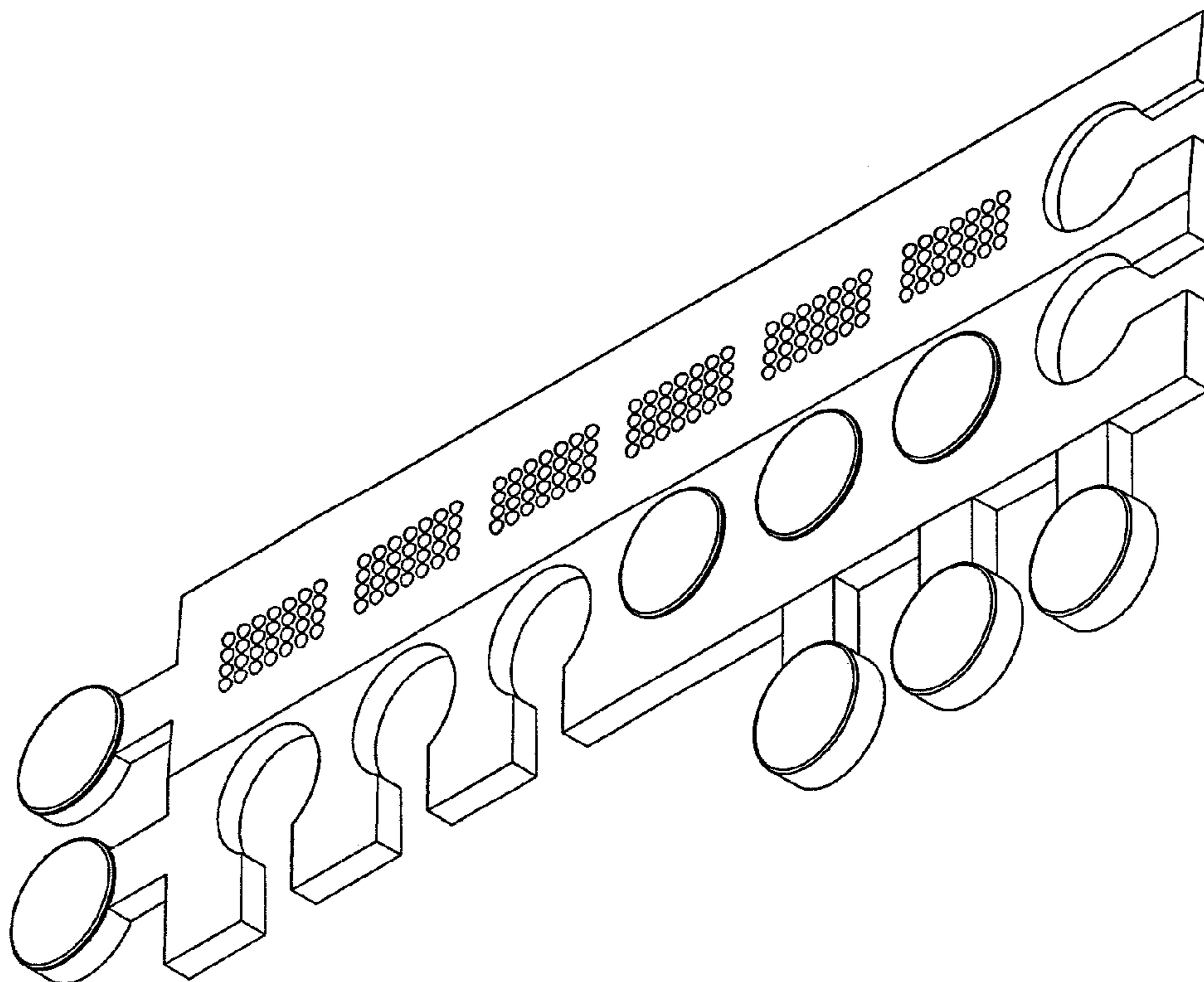
FIG. 4 is a right side elevational view thereof;

FIG. 5 is an upper side elevational view thereof;

FIG. 6 is a lower side elevational view thereof; and,

FIG. 7 is a bottom plan view thereof.

1 Claim, 5 Drawing Sheets



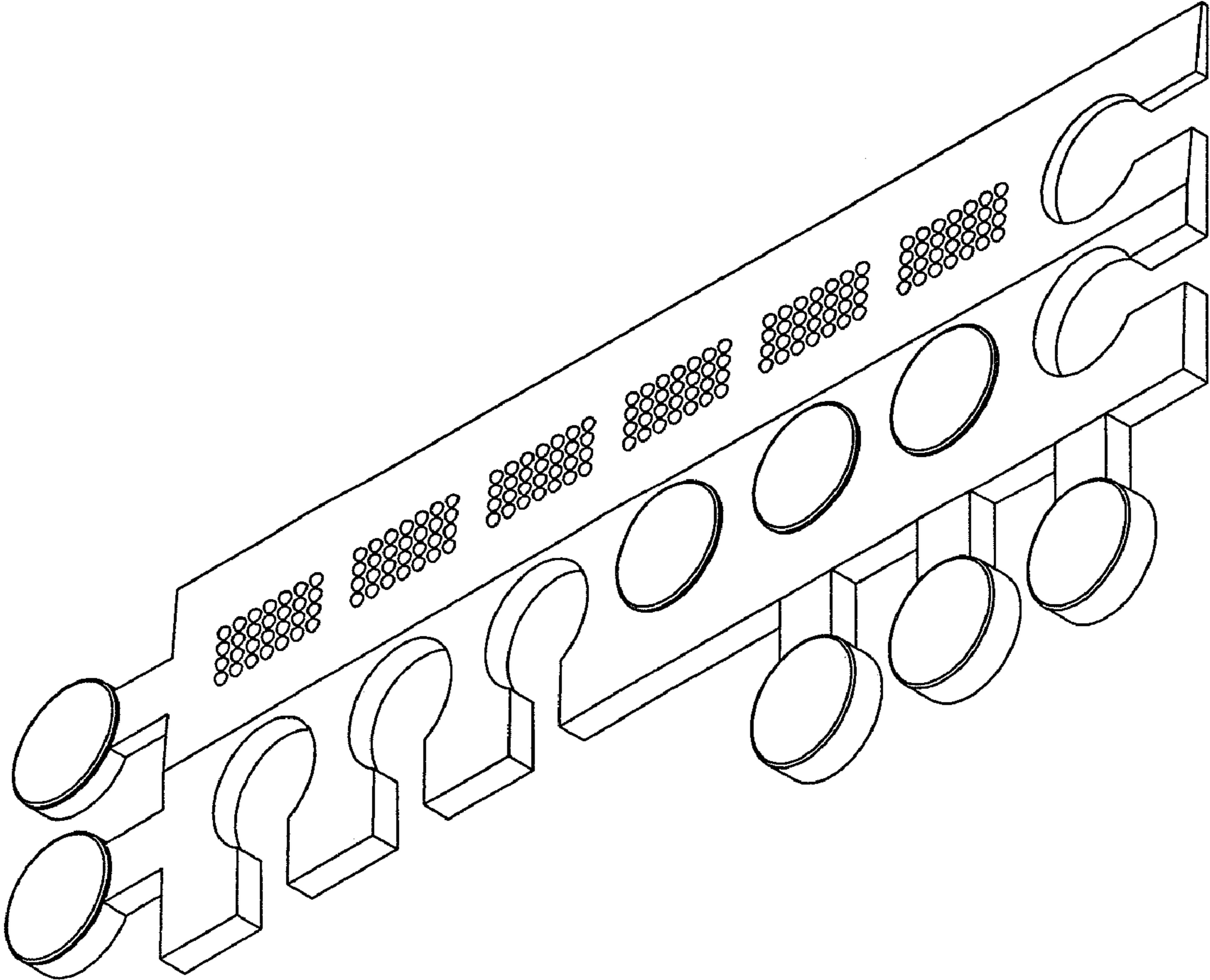


FIG. 1

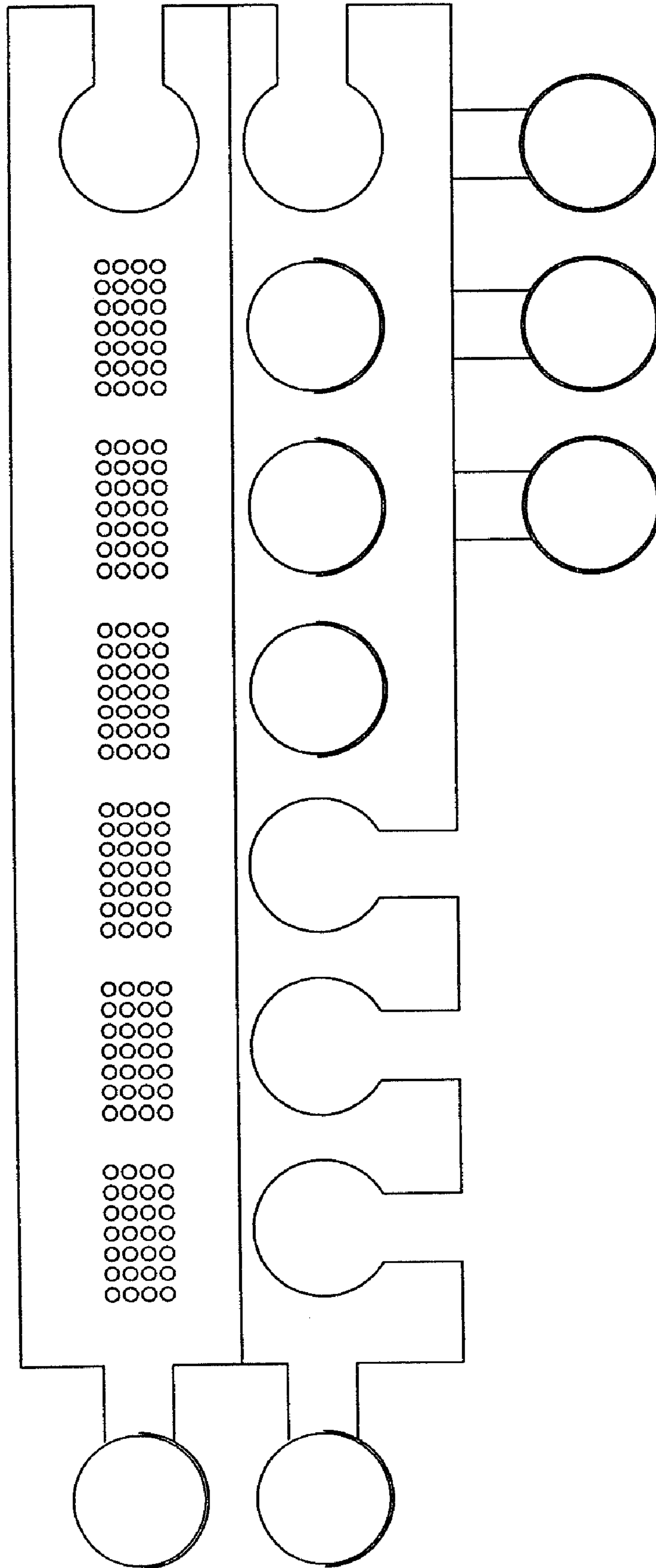


FIG. 2



FIG. 3



FIG. 4



FIG. 5



FIG. 6

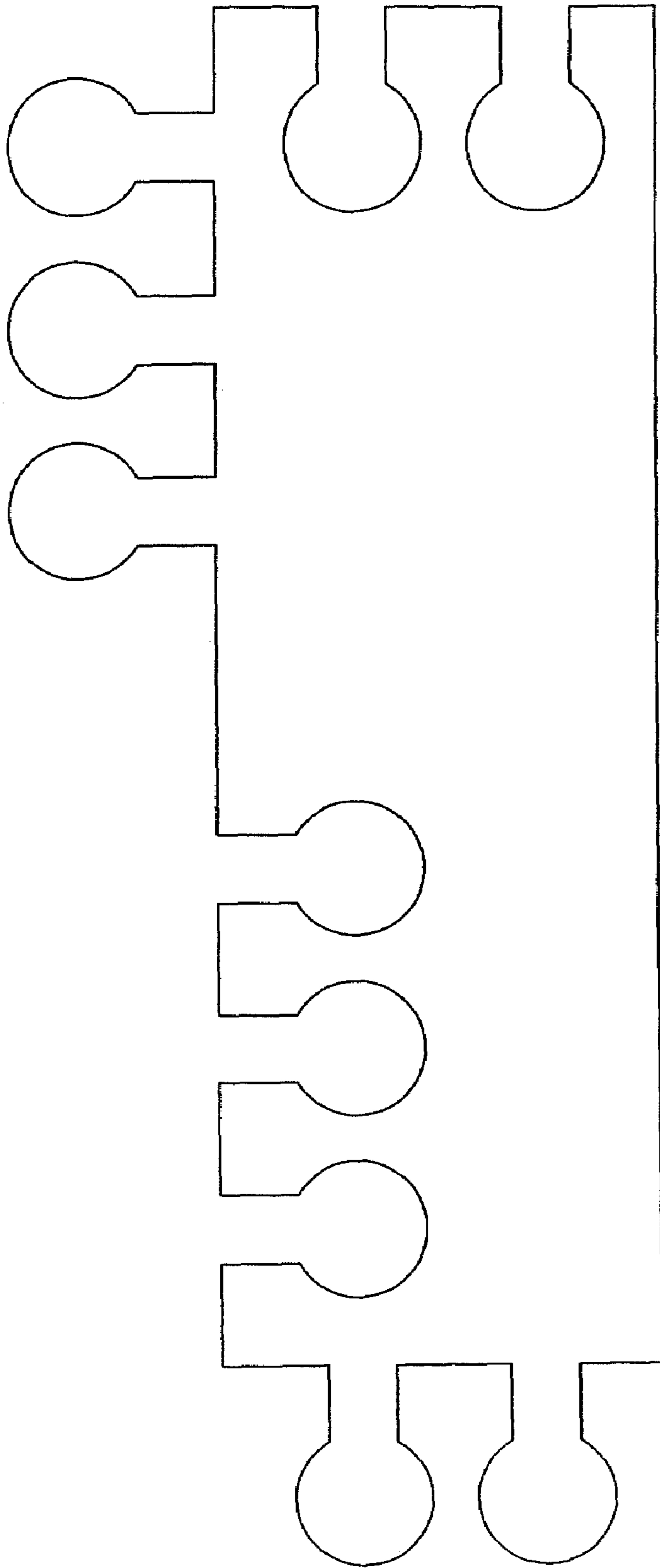


FIG. 7