



US00D575091S

(12) **United States Design Patent**
Ketelhut

(10) **Patent No.:** **US D575,091 S**

(45) **Date of Patent:** **** Aug. 19, 2008**

(54) **TISSUE BOX HOLDER**

(76) Inventor: **Robert A. Ketelhut**, 19263 Williamson,
Clinton Township, MI (US) 48035

(**) Term: **14 Years**

(21) Appl. No.: **29/304,133**

(22) Filed: **Feb. 26, 2008**

(51) **LOC (8) Cl.** **06-04**

(52) **U.S. Cl.** **D6/566; D6/518**

(58) **Field of Classification Search** D6/518-523,
D6/566; 211/13.1, 16, 86.01, 87.01; 242/570,
242/590, 595

See application file for complete search history.

(56) **References Cited**

U.S. PATENT DOCUMENTS

2,672,988	A	3/1954	Johnson	
3,288,416	A *	11/1966	Franklin	248/905
D237,674	S	11/1975	Seltzer	
3,917,207	A	11/1975	Quigley	248/311
3,982,717	A	9/1976	Pavelle et al.	248/313
D284,721	S	7/1986	Carter	D6/518
D293,182	S *	12/1987	Carter	D6/518
D298,396	S *	11/1988	Gallego	D6/518
4,967,988	A	11/1990	Nguyen	248/150
D314,114	S *	1/1991	Steinman	D6/567
5,145,062	A	9/1992	Crispi	206/233
D330,479	S *	10/1992	Stevens	D6/518

D340,826	S *	11/1993	Deom	D6/567
5,314,103	A	5/1994	Li	224/282
D362,779	S *	10/1995	Chen	D6/518
D374,360	S	10/1996	Angermeir	D6/518
D389,682	S	1/1998	Gene	D6/518
D419,346	S *	1/2000	Monigold	D6/518
D425,345	S	5/2000	Ohm et al.	D6/515
6,543,737	B2	4/2003	Decker et al.	248/316
6,669,157	B1 *	12/2003	Willin et al.	248/905
6,834,773	B2	12/2004	Wu	221/45
D513,680	S *	1/2006	Snell	D6/523
D551,007	S *	9/2007	Trinko	D6/566

* cited by examiner

Primary Examiner—Brian N Vinson

(74) *Attorney, Agent, or Firm*—Christopher P. Maiorana;
John J. Ignatowski

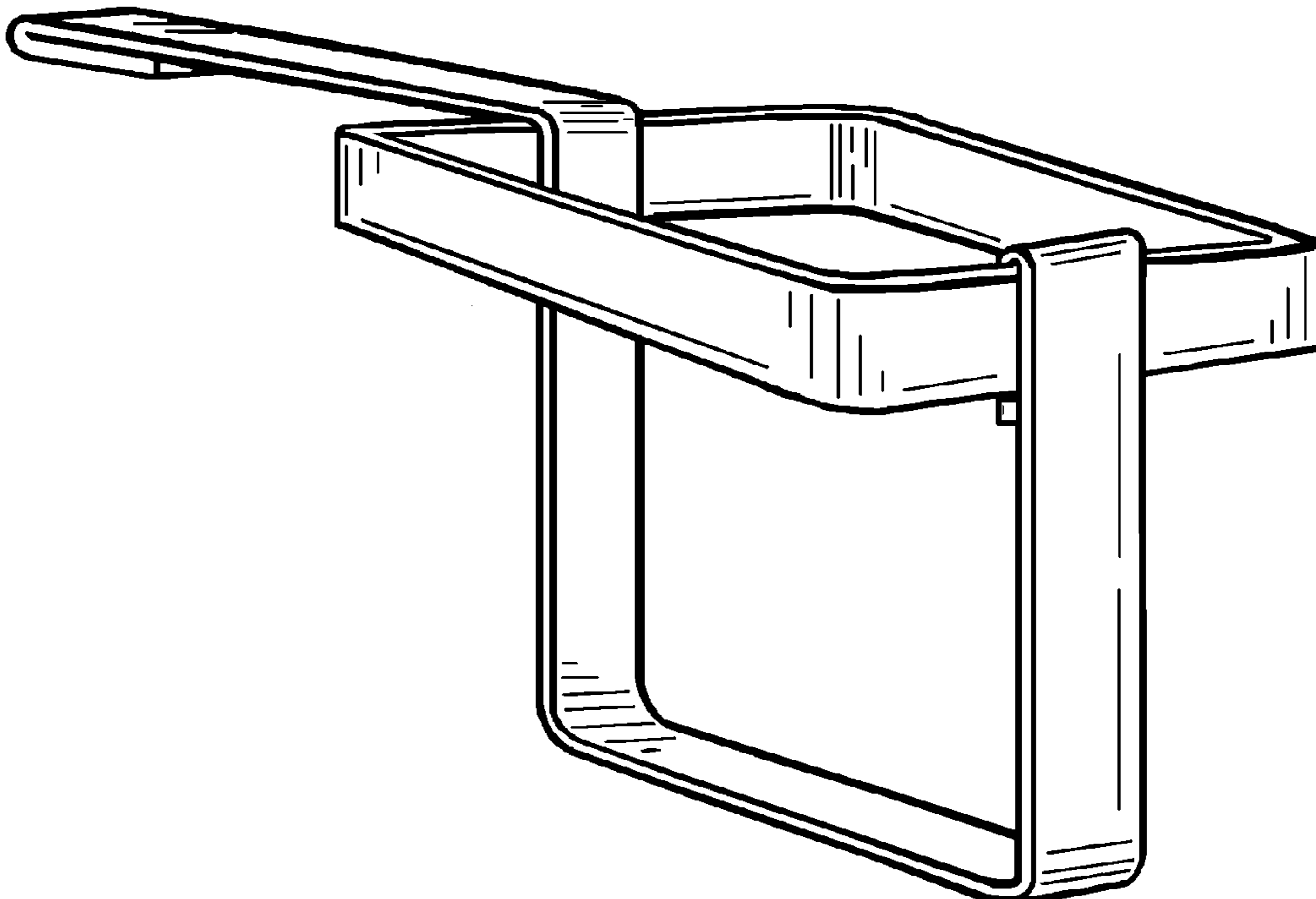
(57) **CLAIM**

I claim the ornamental design for a tissue box holder, as shown and described.

DESCRIPTION

FIG. 1 is a side view of a tissue box holder;
FIG. 2 is a front view of the tissue box holder;
FIG. 3 is a bottom view of the tissue box holder;
FIG. 4 is a top view of the tissue box holder; and,
FIG. 5 is a top perspective view of the tissue box holder.

1 Claim, 3 Drawing Sheets



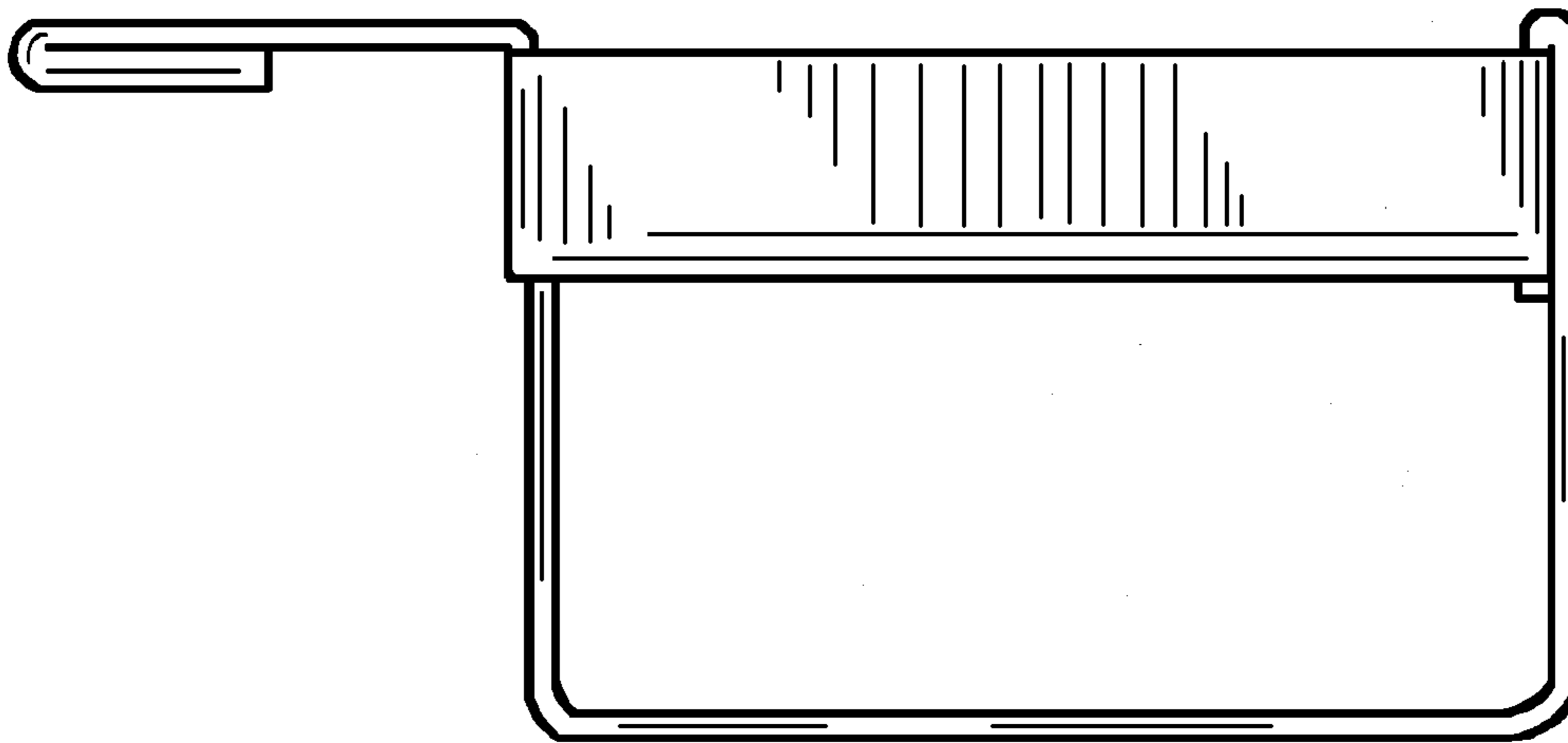


FIG. 1

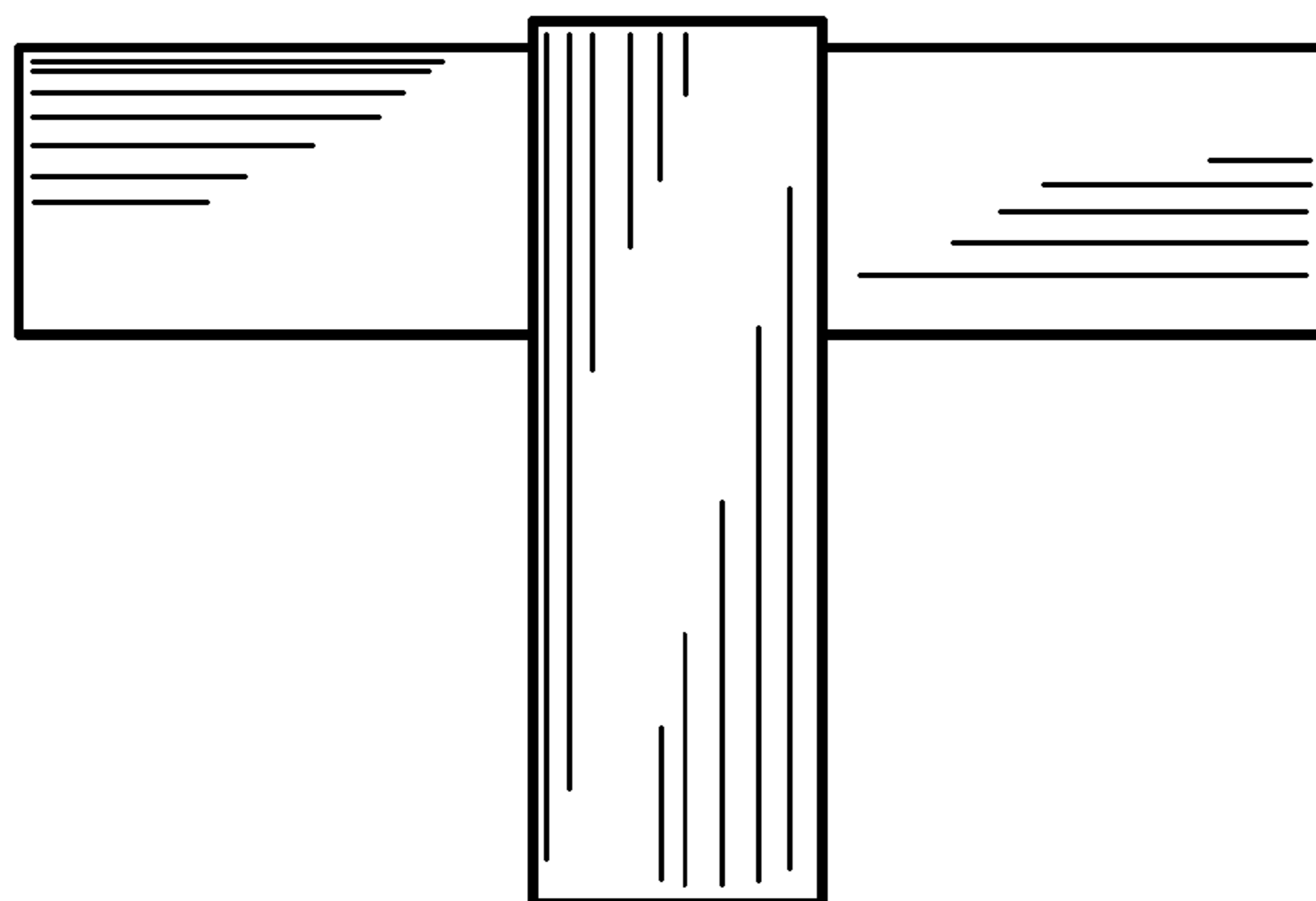


FIG. 2

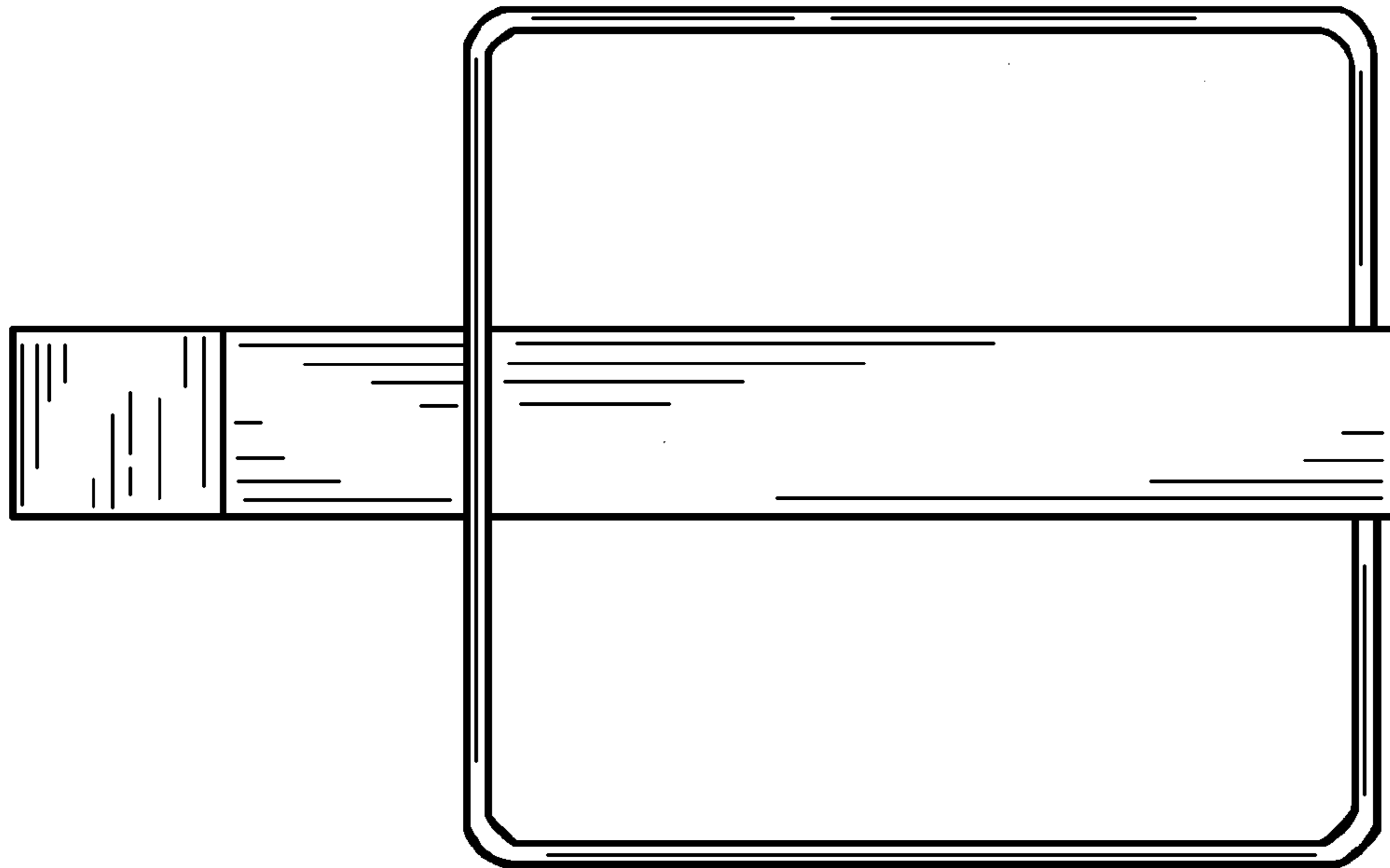


FIG. 3

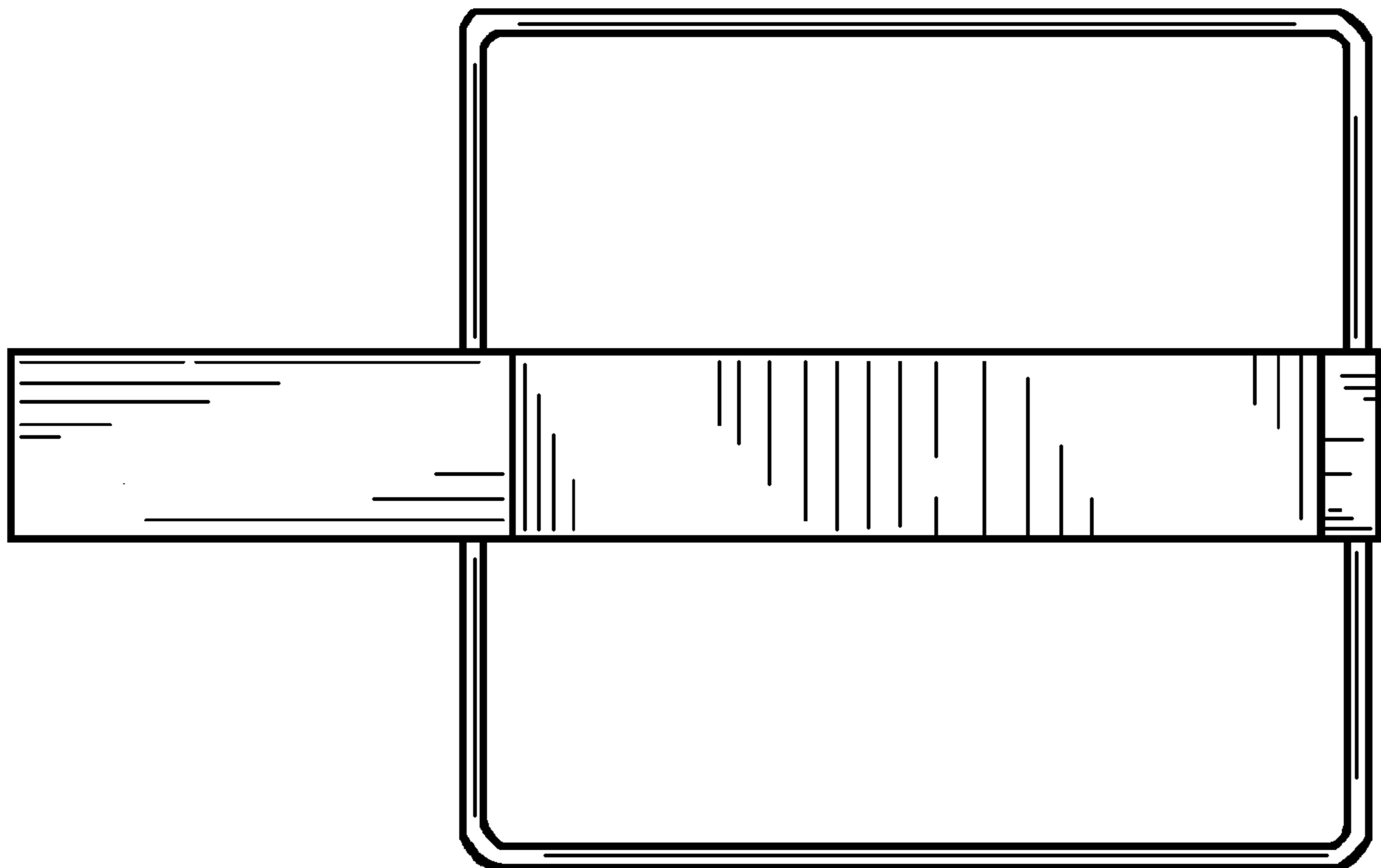


FIG. 4

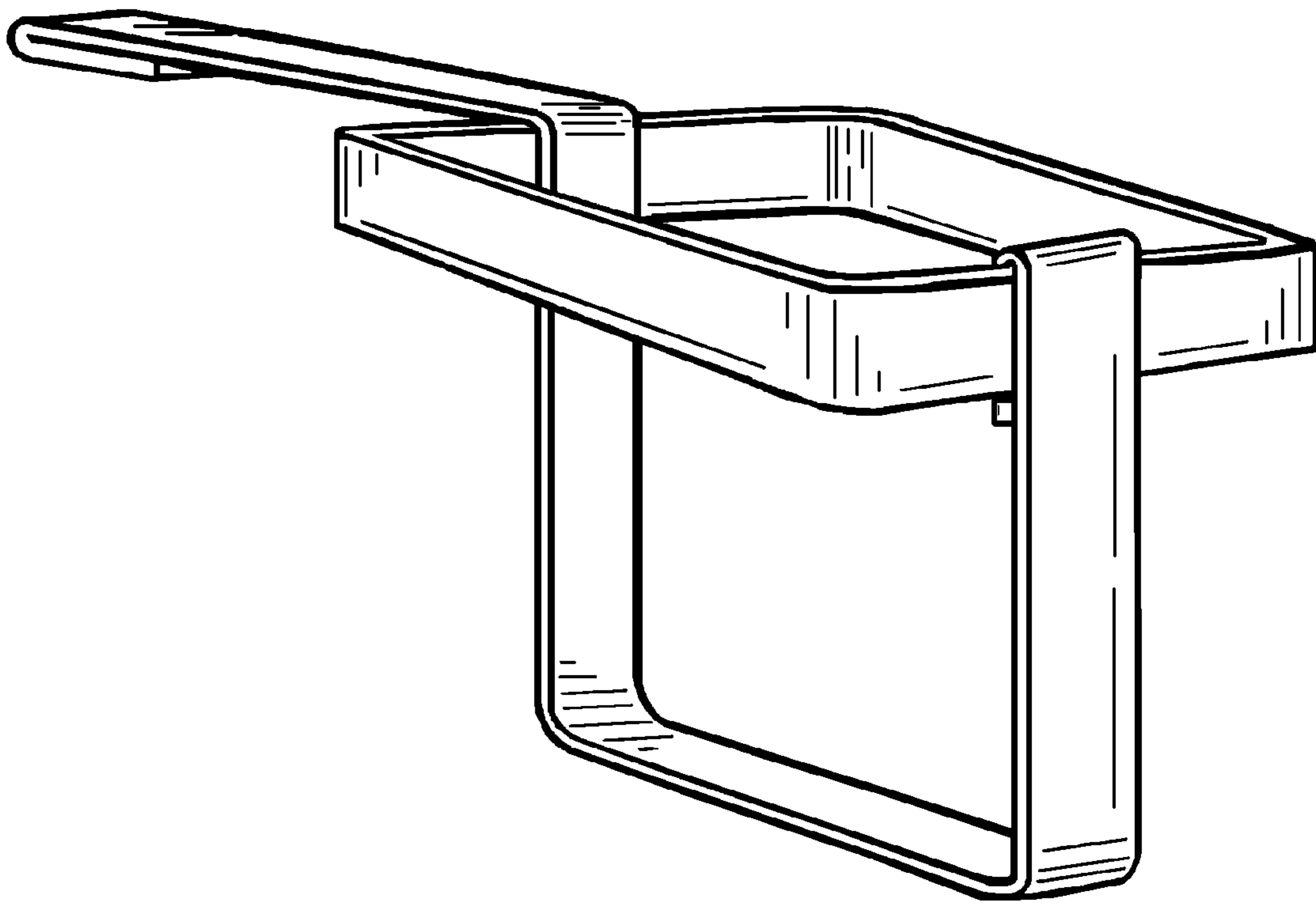


FIG. 5