

US00D575089S

(12) **United States Design Patent**  
**Krumpe et al.**

(10) **Patent No.:** **US D575,089 S**

(45) **Date of Patent:** **\*\* Aug. 19, 2008**

(54) **DOUBLE TOWEL BAR**

(75) Inventors: **Geraint Krumpe**, Chicago, IL (US);  
**Terry Starbuck**, Pilot Mountain, NC (US)

(73) Assignee: **Liberty Hardware Mfg. Corp.**,  
Winston-Salem, NC (US)

(\*\*) Term: **14 Years**

(21) Appl. No.: **29/303,839**

(22) Filed: **Feb. 19, 2008**

(51) **LOC (8) Cl.** ..... **06-04**

(52) **U.S. Cl.** ..... **D6/548**

(58) **Field of Classification Search** ..... D6/546-550,  
D6/518-519, 522-524; D8/300, 303, 315-321,  
D8/354, 363, 373, 380; 108/28-29; 211/13.1,  
211/16, 60.1, 86.01, 87.01, 88.01, 88.04,  
211/100, 105.1-105.2, 119.003, 123, 126.1,  
211/133.6, 134, 181.1, 182; 248/175, 176.1,  
248/200, 214, 251, 302, 309.1; 16/110.1,  
16/412, 415; 242/570, 590; 206/389, 557  
See application file for complete search history.

(56) **References Cited**

**U.S. PATENT DOCUMENTS**

D453,436 S \* 2/2002 Hoernig ..... D6/548

D455,035 S \* 4/2002 Meck et al. .... D6/548

D477,737 S \* 7/2003 Hoernig ..... D6/548

D492,528 S \* 7/2004 Graves et al. .... D6/548

D493,317 S \* 7/2004 Hoernig ..... D6/548

\* cited by examiner

*Primary Examiner*—Brian N Vinson

(74) *Attorney, Agent, or Firm*—Edgar A. Zarins; Lloyd D. Doigan

(57) **CLAIM**

The ornamental design for a double towel bar, as shown and described.

**DESCRIPTION**

FIG. 1 is a perspective view of a double towel bar showing our new design;

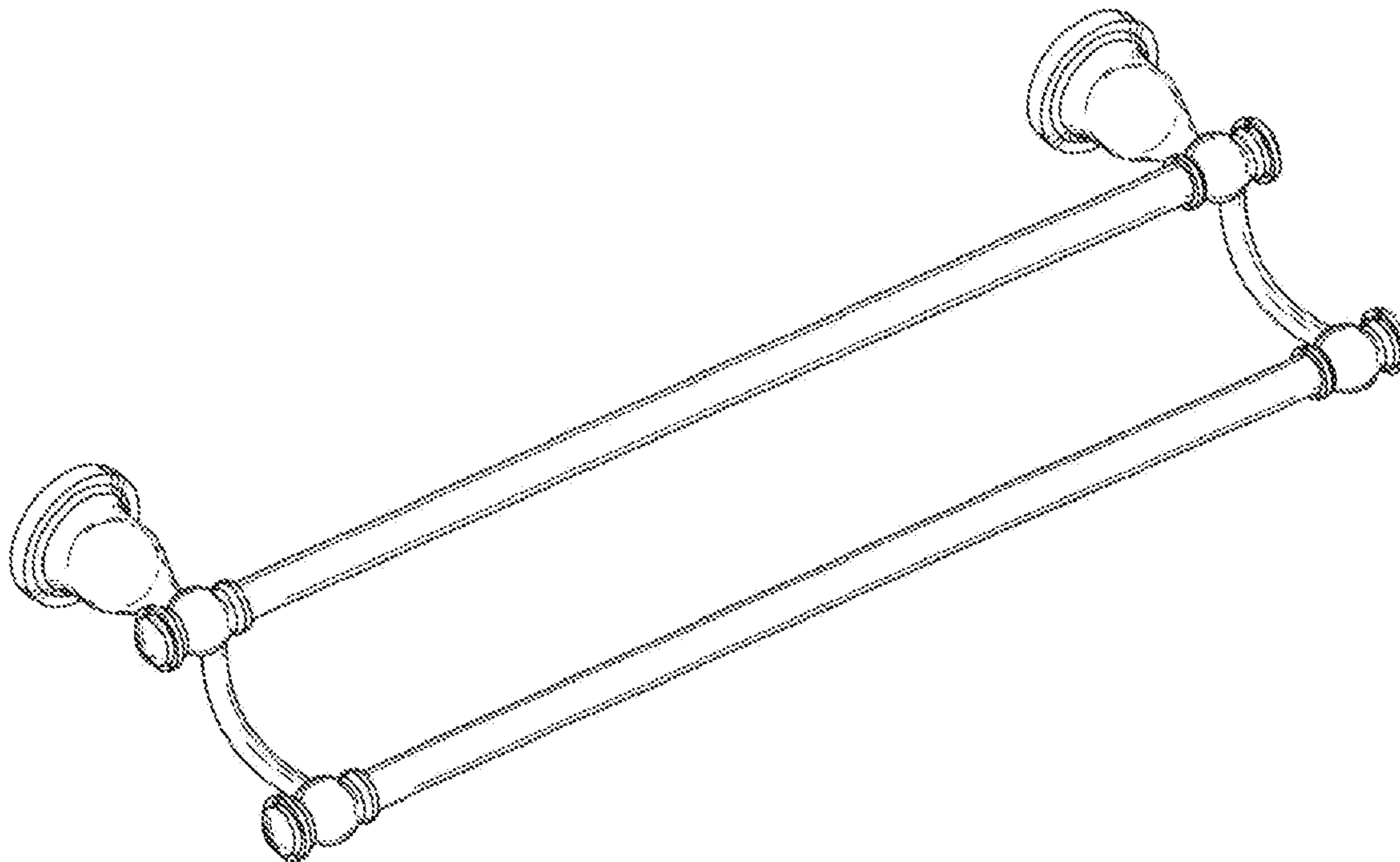
FIG. 2 is a top plan view thereof;

FIG. 3 is a bottom plan view thereof;

FIG. 4 is a front elevational view thereof; and,

FIG. 5 is a right side view thereof, the opposite side being a mirror image of the side shown.

**1 Claim, 2 Drawing Sheets**



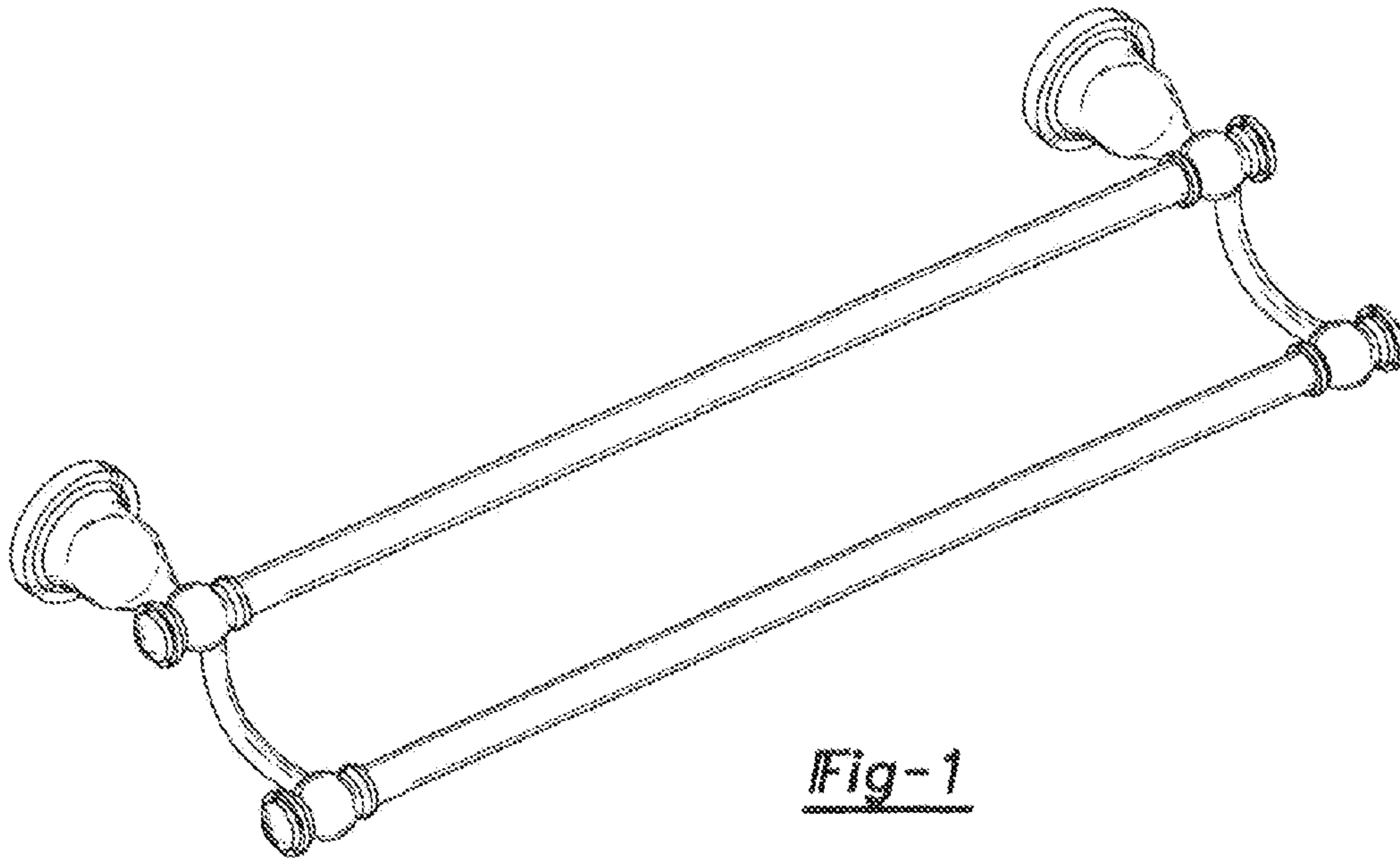


Fig-1

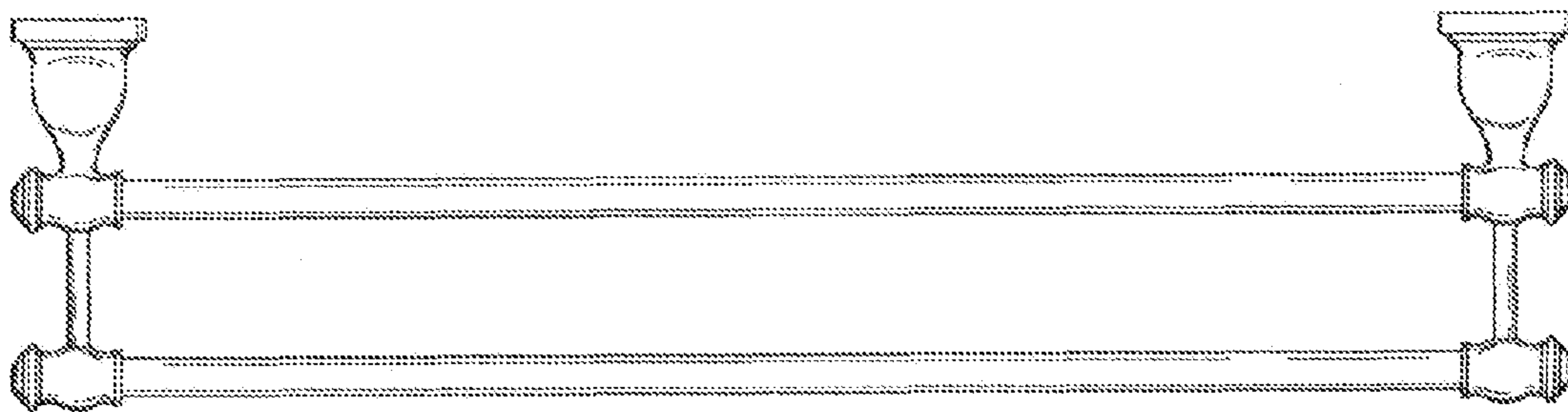


Fig-2

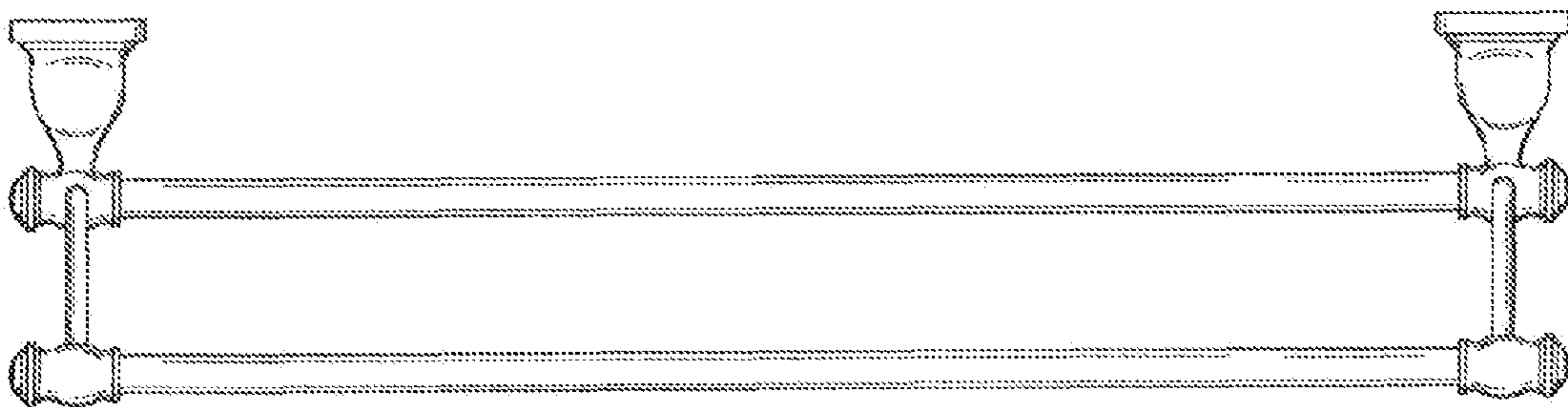


Fig-3

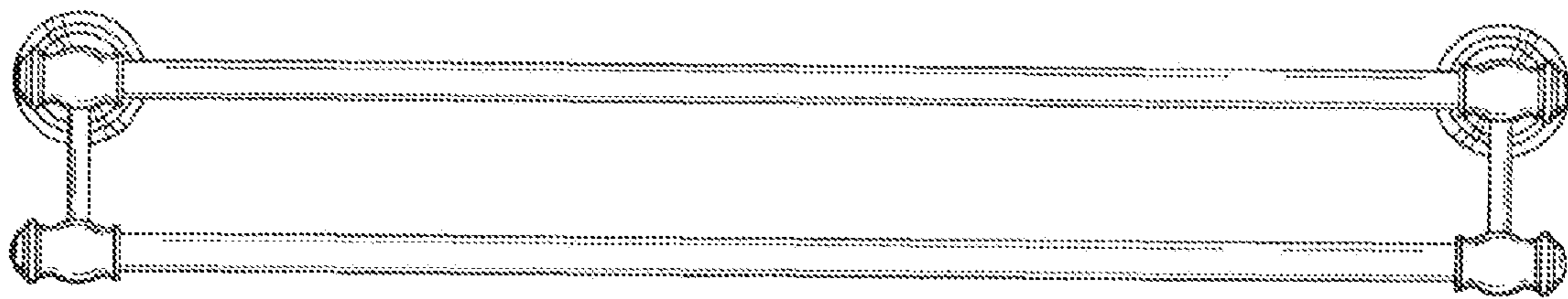


Fig-4

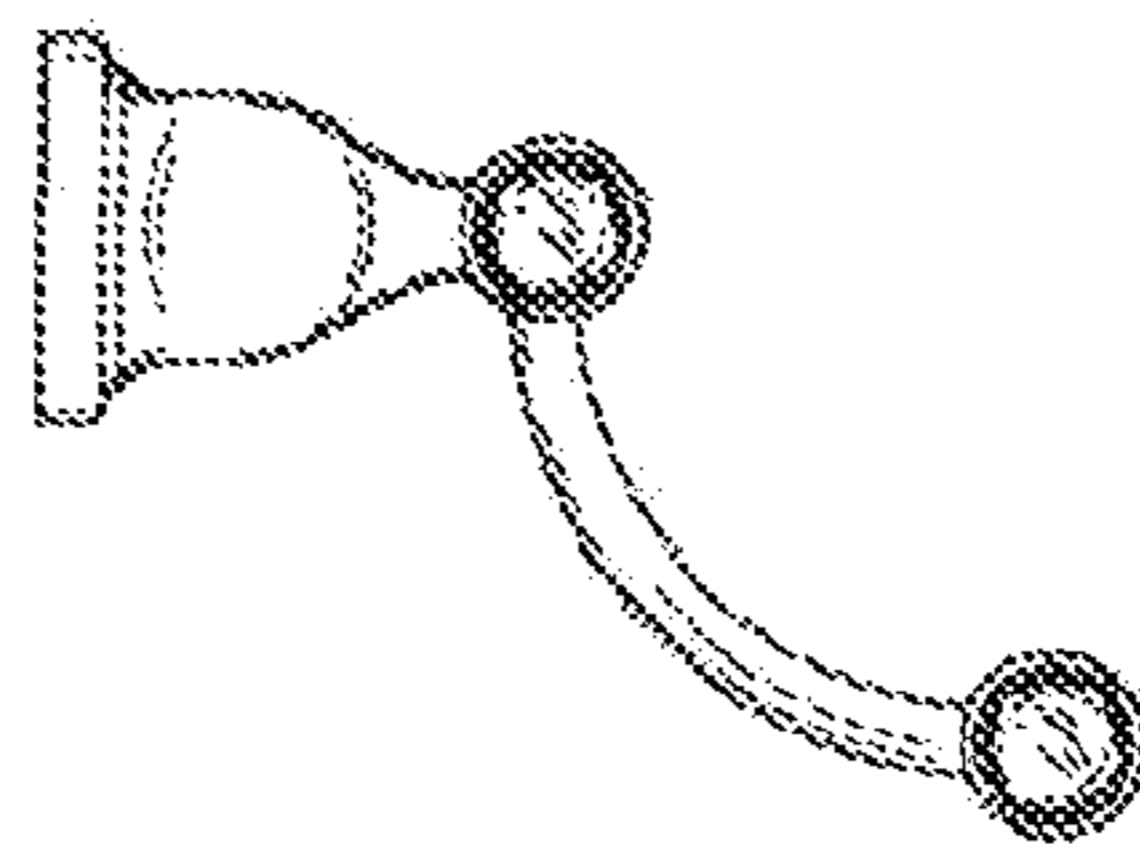


Fig-5