



US00D575088S

(12) **United States Design Patent**
Saulnier

(10) **Patent No.:** **US D575,088 S**

(45) **Date of Patent:** **** Aug. 19, 2008**

(54) **TOWEL HOLDER FOR LOUNGE CHAIRS**

D543,753 S * 6/2007 Gunderson D6/547
D549,058 S * 8/2007 Shibata et al. D8/14

(76) Inventor: **John Saulnier**, 2562 N. Ridge Ave.,
Bullhead City, AZ (US) 86429

* cited by examiner

(**) Term: **14 Years**

Primary Examiner—Robert M. Spear

Assistant Examiner—John Windmuller

(21) Appl. No.: **29/285,283**

(74) *Attorney, Agent, or Firm*—Buhler & Associates; Kirk A.
Buhler

(22) Filed: **Mar. 27, 2007**

(57) **CLAIM**

(51) **LOC (8) Cl.** **06-04**

(52) **U.S. Cl.** **D6/547; D8/394**

(58) **Field of Classification Search** D8/356,
D8/371, 394–396; D19/65, 75, 86, 90–91;
211/88.04, 13.1; 248/309.1; D6/546–550

The ornamental design for a towel holder for lounge chairs, as
shown and described.

See application file for complete search history.

DESCRIPTION

(56) **References Cited**

FIG. 1 is a top view of a towel holder for a lounge chairs
showing my new design;

FIG. 2 is a right side view thereof, the left side view being a
mirror image thereof;

FIG. 3 is a bottom view thereof;

FIG. 4 is a front view thereof;

FIG. 5 is a back view thereof;

FIG. 6 is a front side isometric view thereof;

FIG. 7 is a back side isometric view thereof; and,

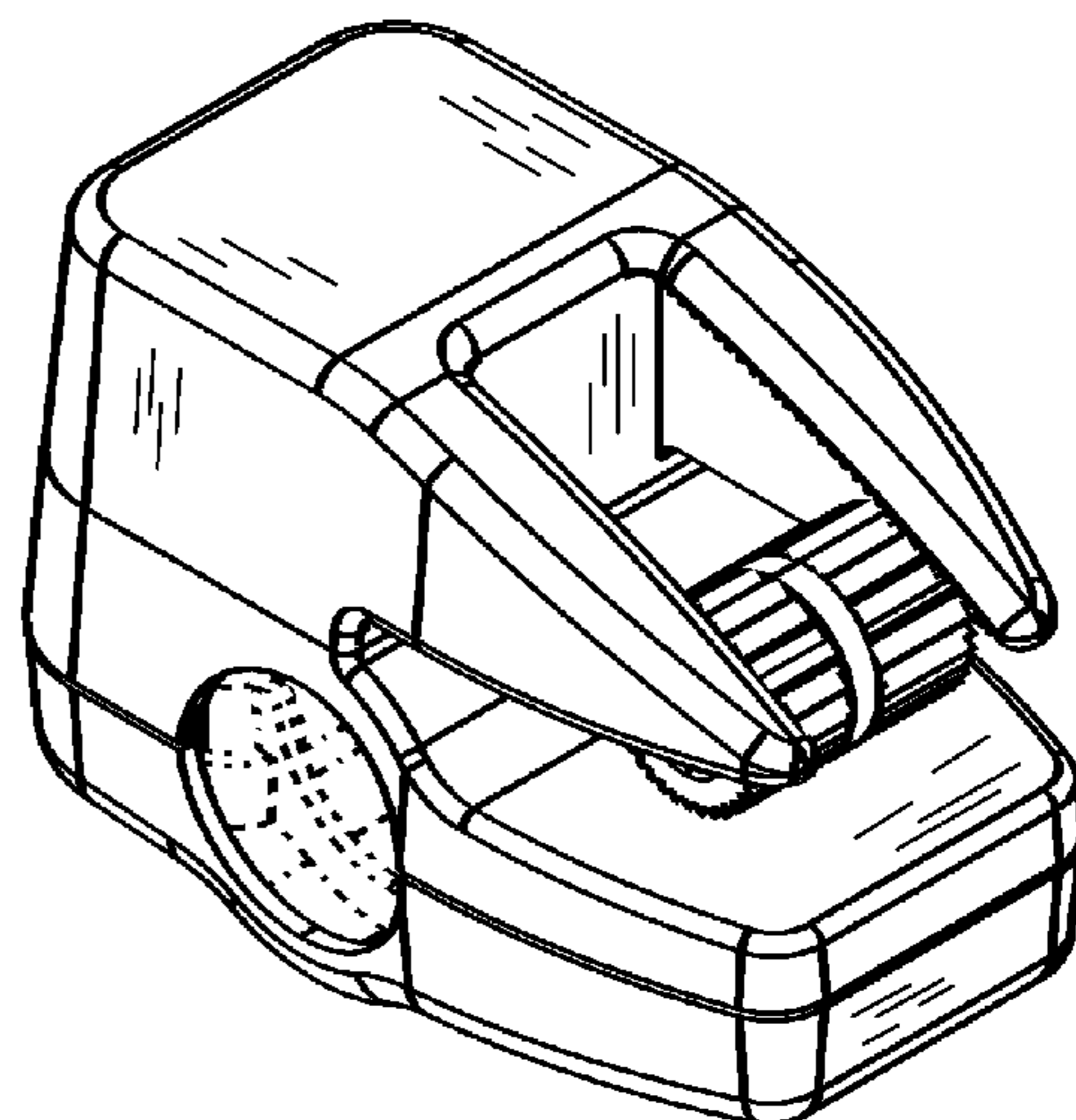
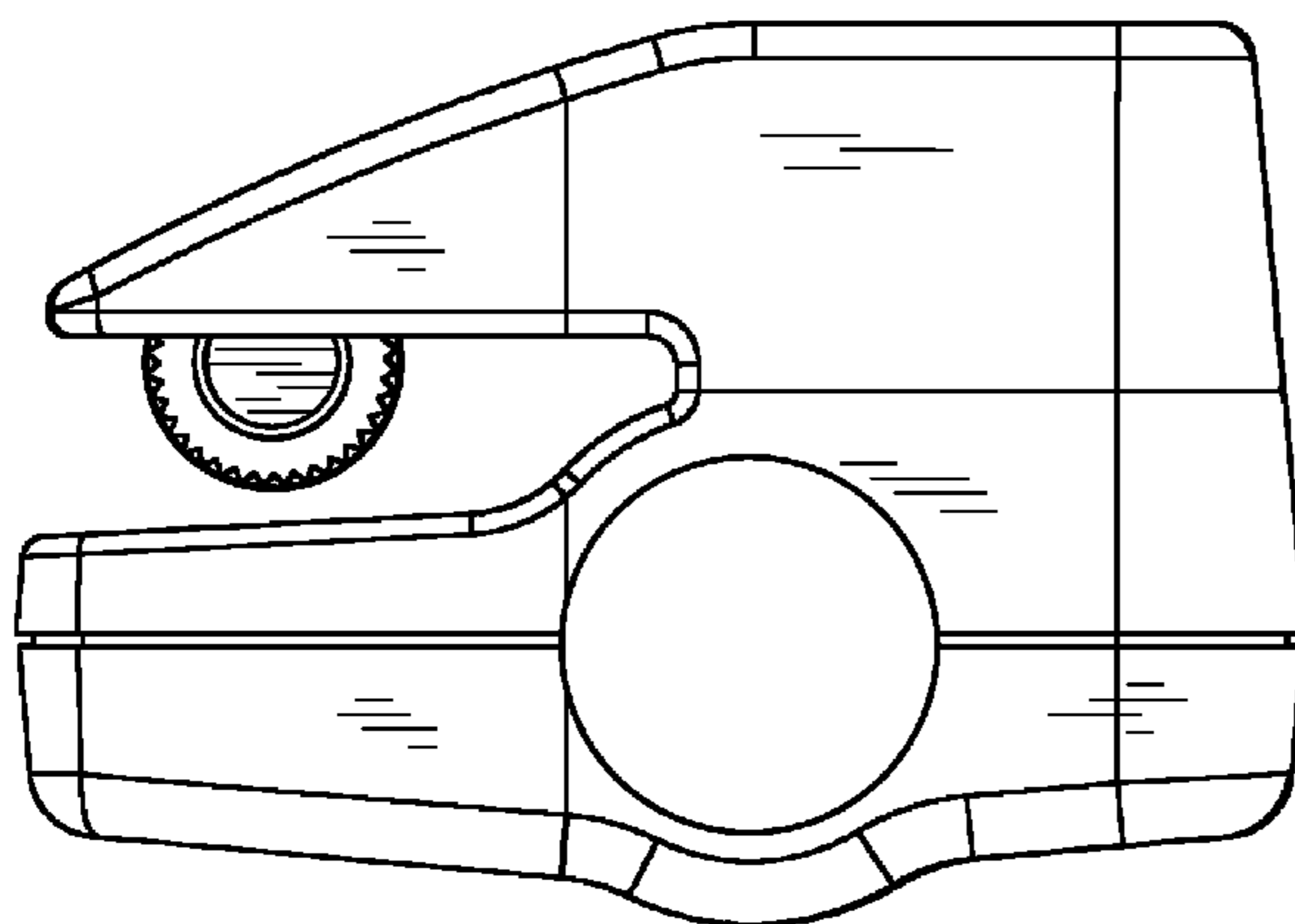
FIG. 8 is an isometric view thereof in use with a towel and
lounge chair.

The broken line showing of a lounge chair, feet in FIG. 3 and
interior features of a holder illustrates environment only and
forms no part of the claimed design.

U.S. PATENT DOCUMENTS

2,563,129	A *	8/1951	Montgomery	24/68 R
2,653,836	A *	9/1953	Christophersen et al.	285/411
2,912,117	A *	11/1959	Clay	211/88.04
4,783,822	A *	11/1988	Toole et al.	381/379
4,858,285	A	8/1989	Dala et al.		
4,934,540	A	6/1990	Novak		
D313,522	S *	1/1991	Bingham	D6/547
D322,024	S *	12/1991	Archer	D8/395
5,170,982	A *	12/1992	Schultheis et al.	248/316.3
D345,776	S *	4/1994	Williams	D21/793
5,611,123	A	3/1997	Prizzi		
5,829,832	A	11/1998	Molee		
D403,389	S *	12/1998	Kim	D21/793
5,960,520	A	10/1999	Conway et al.		
6,490,768	B1	12/2002	Goodall		

1 Claim, 4 Drawing Sheets



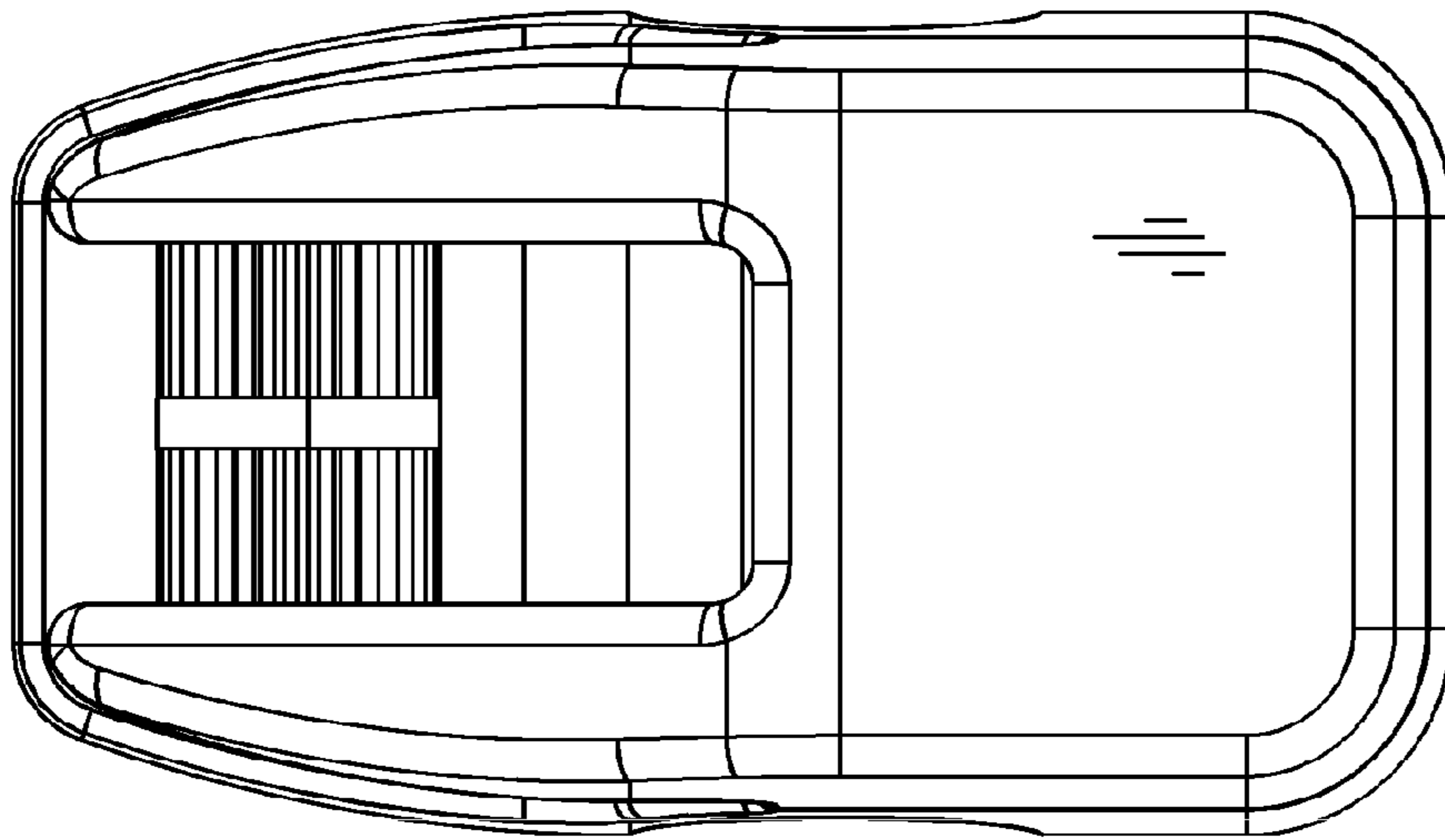


FIG. 1

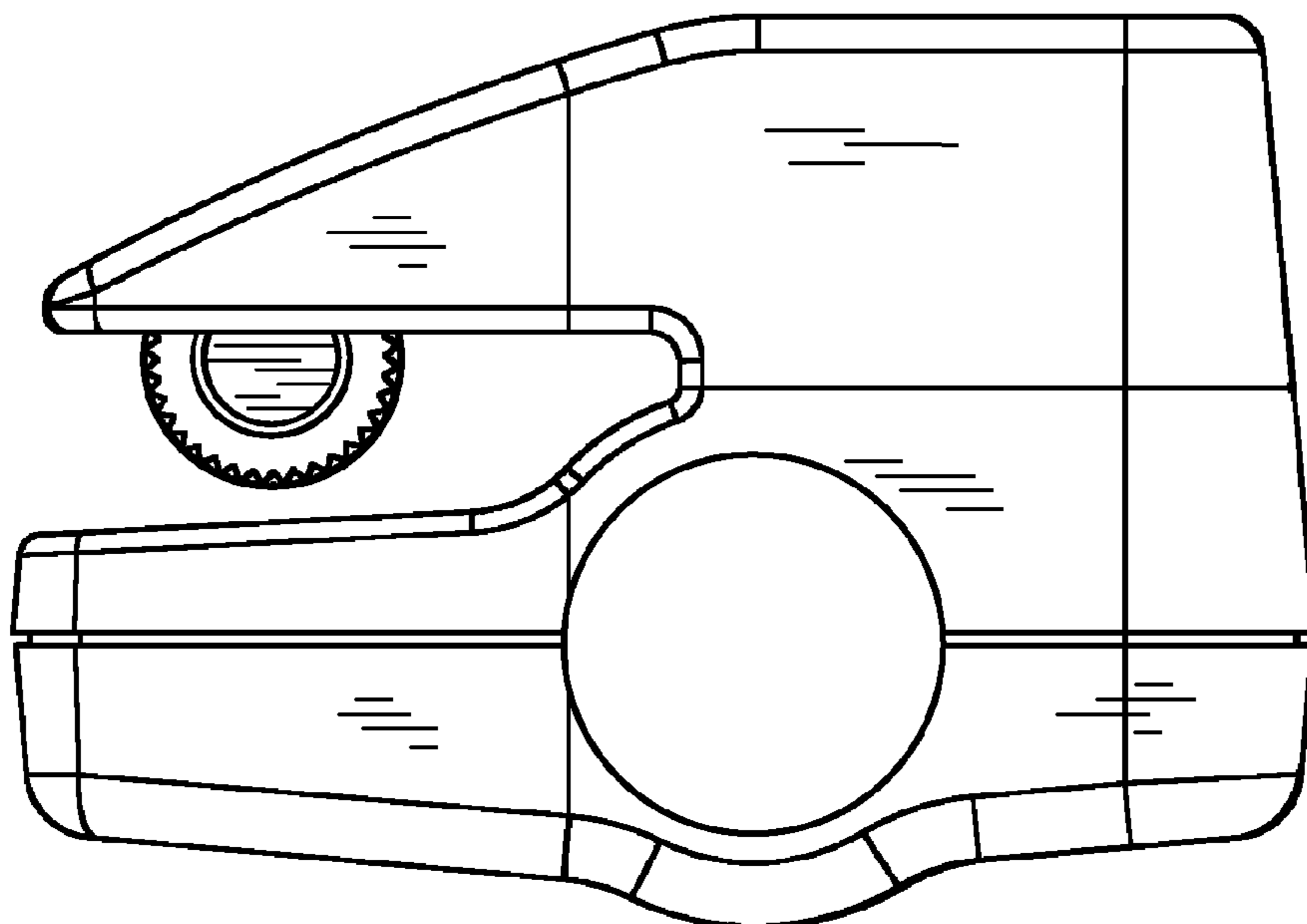


FIG. 2

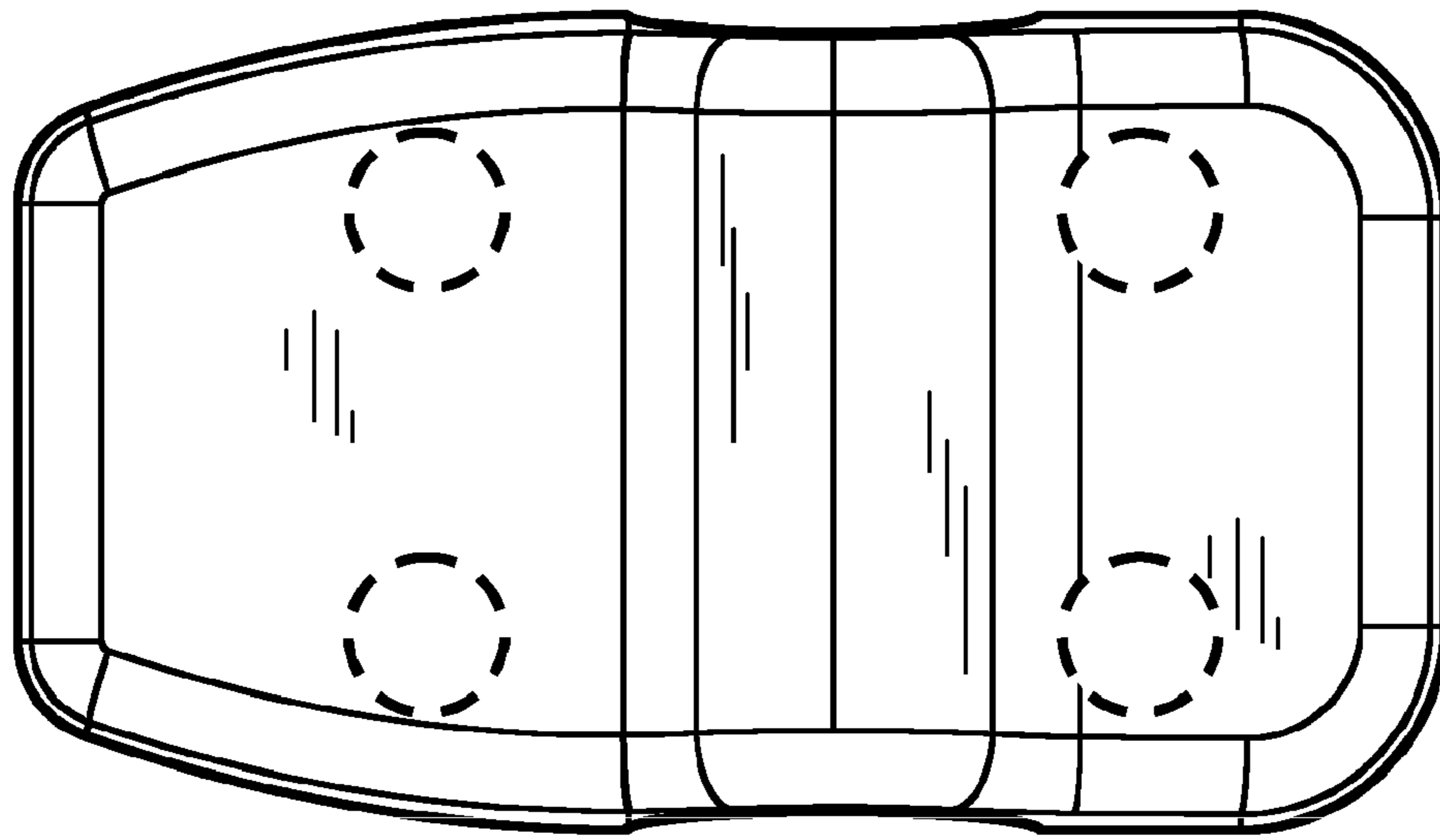


FIG. 3

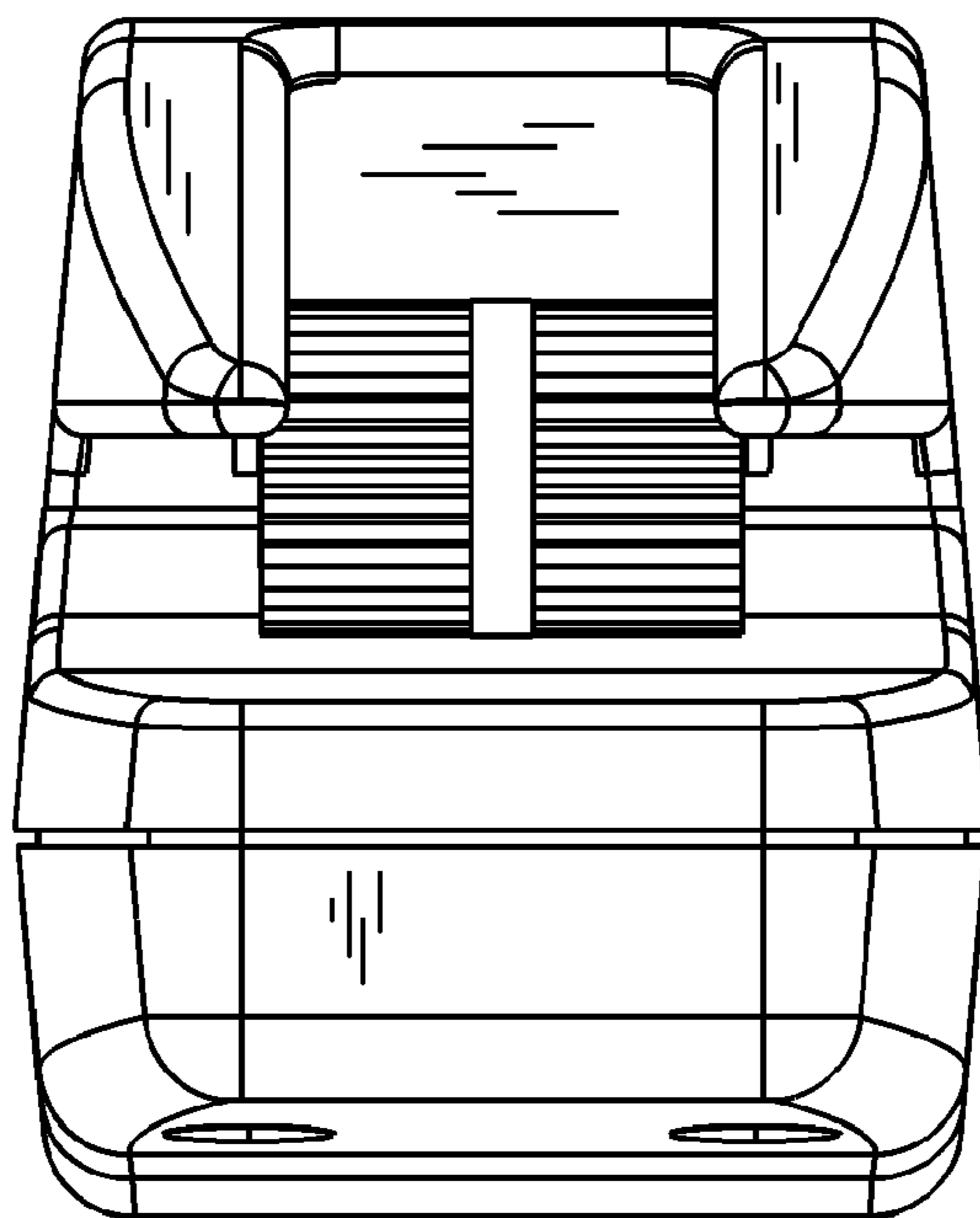


FIG. 4

FIG. 5

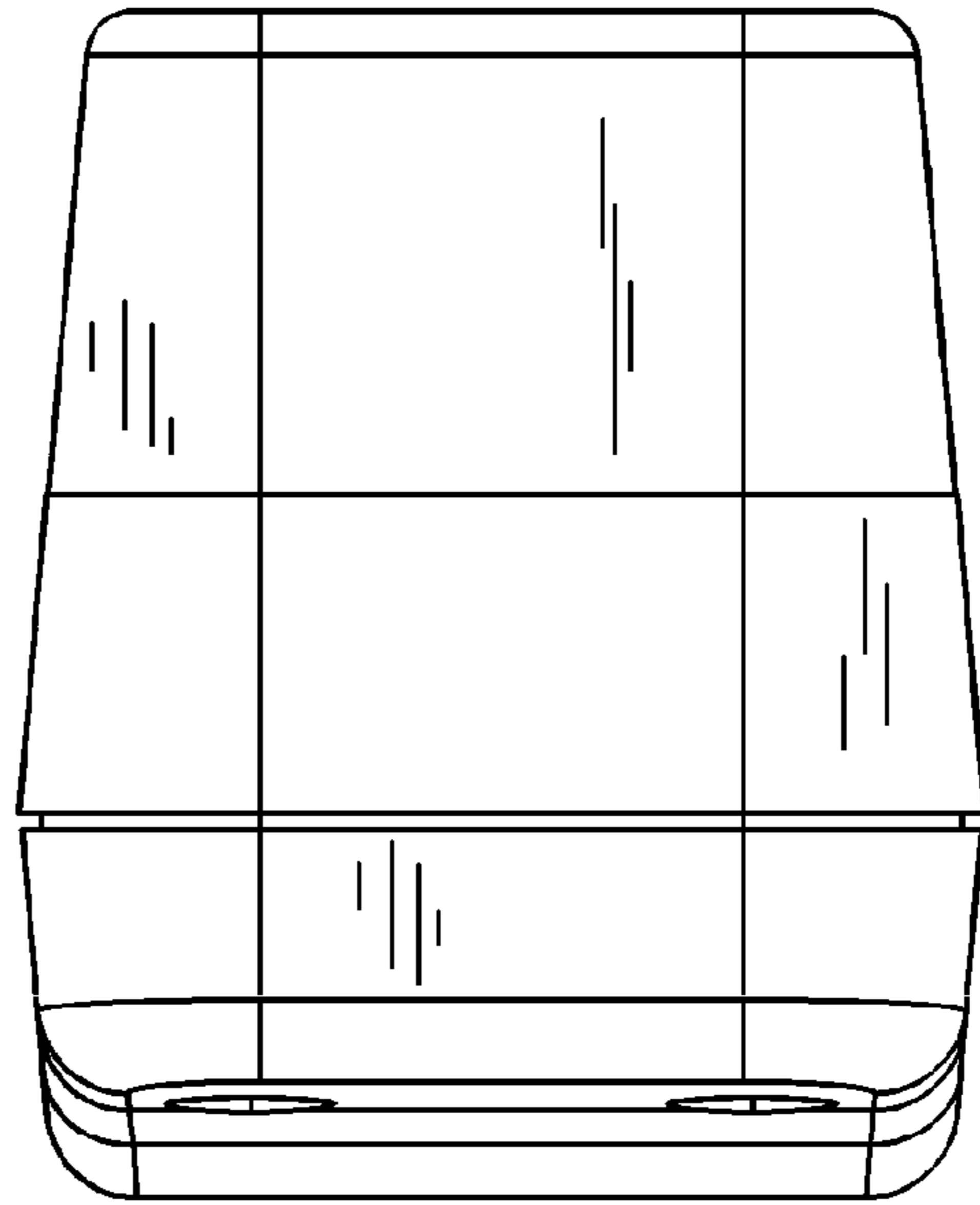


FIG. 6

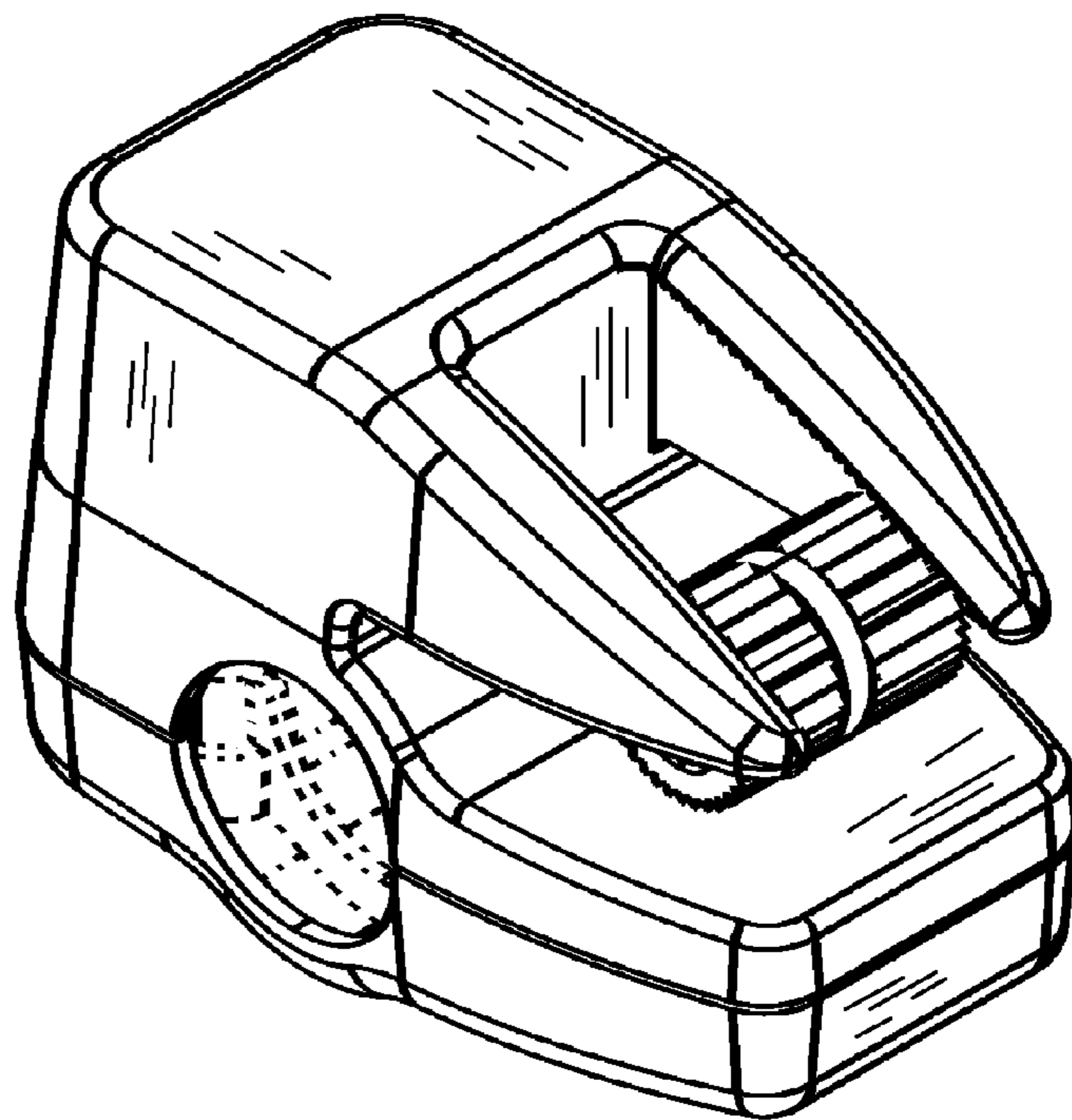


FIG. 7

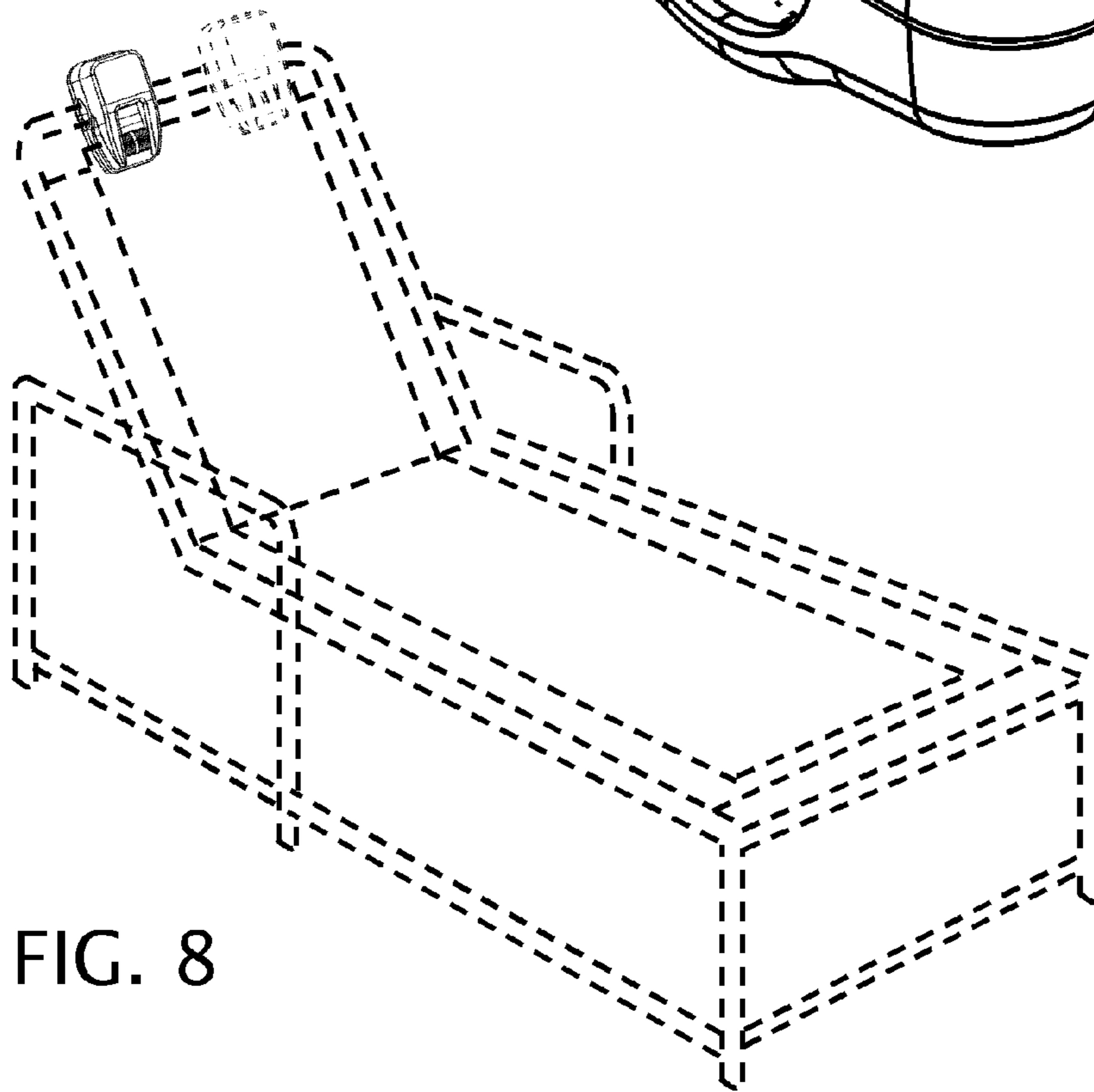
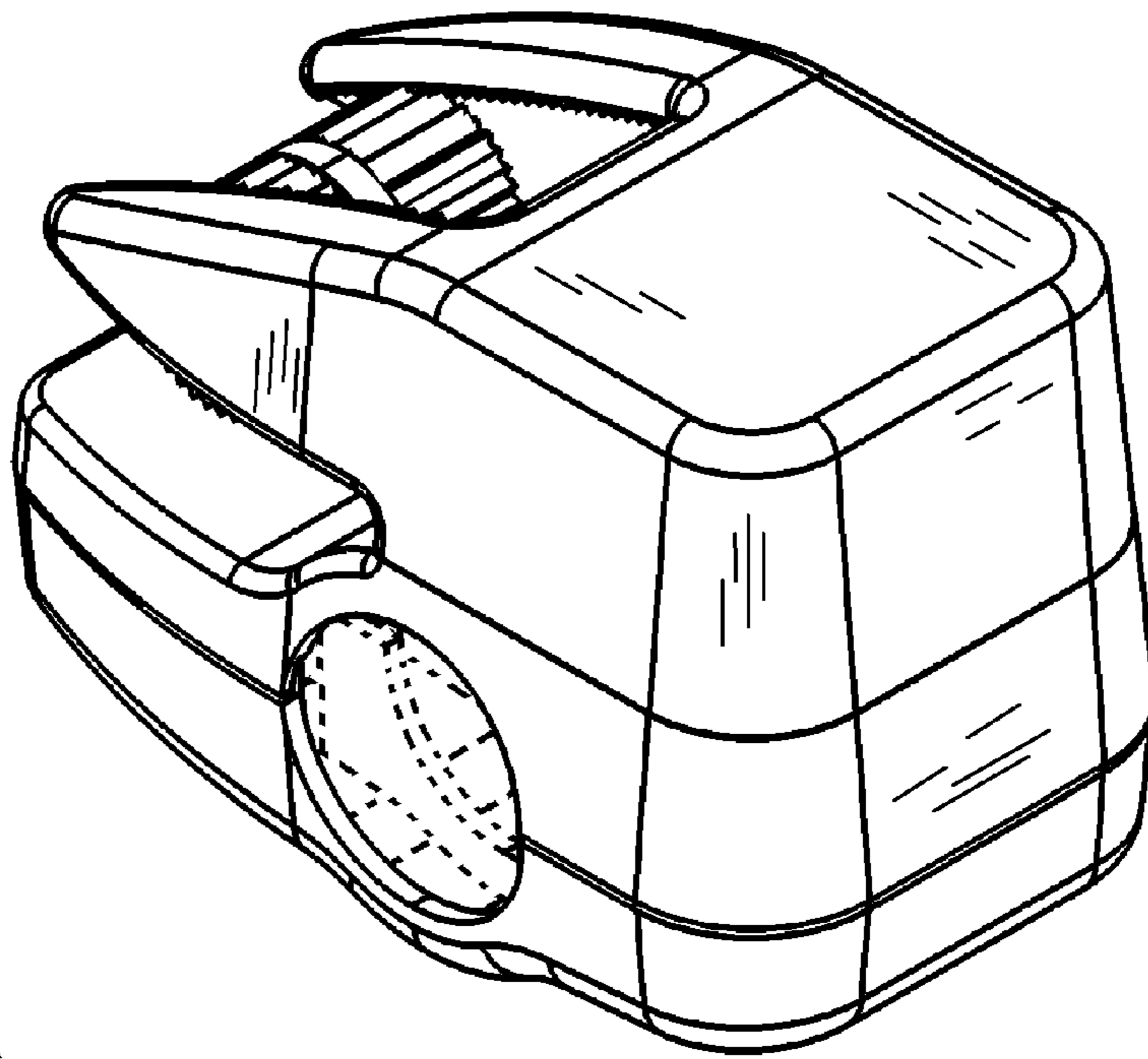


FIG. 8