



US00D575085S

(12) **United States Design Patent**  
**Su**

(10) **Patent No.:** **US D575,085 S**

(45) **Date of Patent:** **\*\* Aug. 19, 2008**

(54) **CHAIR BACKREST**

(76) **Inventor:** **Tung-Hua Su**, No. 6, Sec. 3, Bao Ta Road, Kuwi Jen Hsiang, Tainan Hsien (TW) 711

(\*\*) **Term:** **14 Years**

(21) **Appl. No.:** **29/305,901**

(22) **Filed:** **Mar. 30, 2008**

(51) **LOC (8) Cl.** ..... **06-01**

(52) **U.S. Cl.** ..... **D6/502; D6/366**

(58) **Field of Classification Search** ..... D6/334-336, D6/364, 365, 366, 367, 369, 379, 380, 500-502; 297/284.4, 300.2, 411.27, 411.36, 452.29, 297/452.46, 452.64

See application file for complete search history.

(56) **References Cited**

**U.S. PATENT DOCUMENTS**

D417,792 S *	12/1999	Hansen et al.	.....	D6/366
D456,159 S *	4/2002	Ball et al.	.....	D6/366
D456,650 S *	5/2002	Ball et al.	.....	D6/502
D457,023 S *	5/2002	Ball et al.	.....	D6/502
D471,042 S *	3/2003	Schmitz et al.	.....	D6/502

D471,370 S *	3/2003	Schmitz et al.	.....	D6/366
D490,994 S *	6/2004	Schmitz et al.	.....	D6/366
D494,792 S *	8/2004	Schmitz et al.	.....	D6/502
D506,893 S *	7/2005	Hsien	.....	D6/502
D544,720 S *	6/2007	Berbegal Perez	.....	D6/366

\* cited by examiner

*Primary Examiner*—Mimosa De

(74) *Attorney, Agent, or Firm*—Banger Shia

(57) **CLAIM**

The ornamental design for a chair backrest, as shown and described.

**DESCRIPTION**

FIG. 1 is a perspective view of a chair backrest showing my new design;

FIG. 2 is a front elevation view thereof;

FIG. 3 is a rear elevation view thereof;

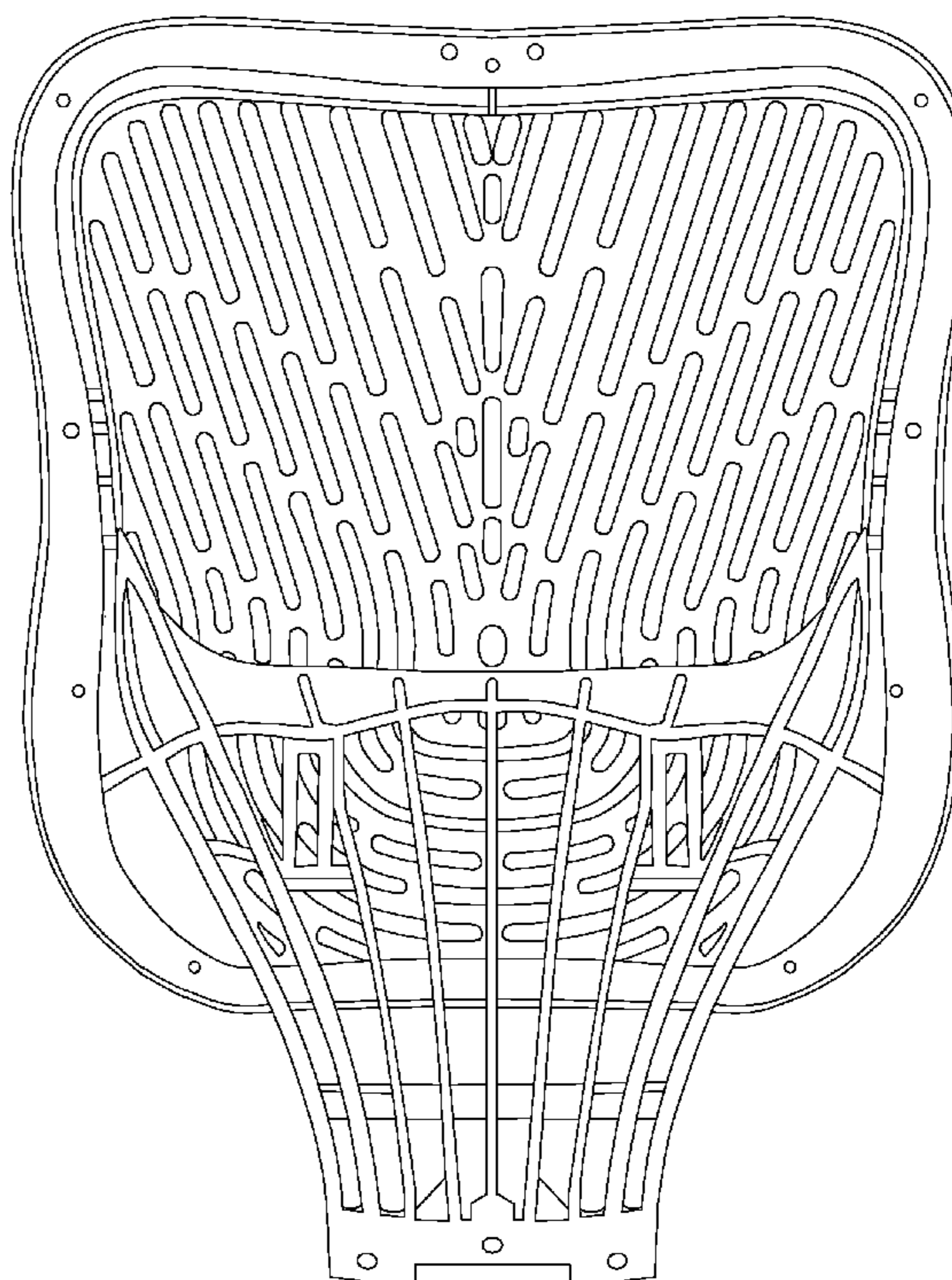
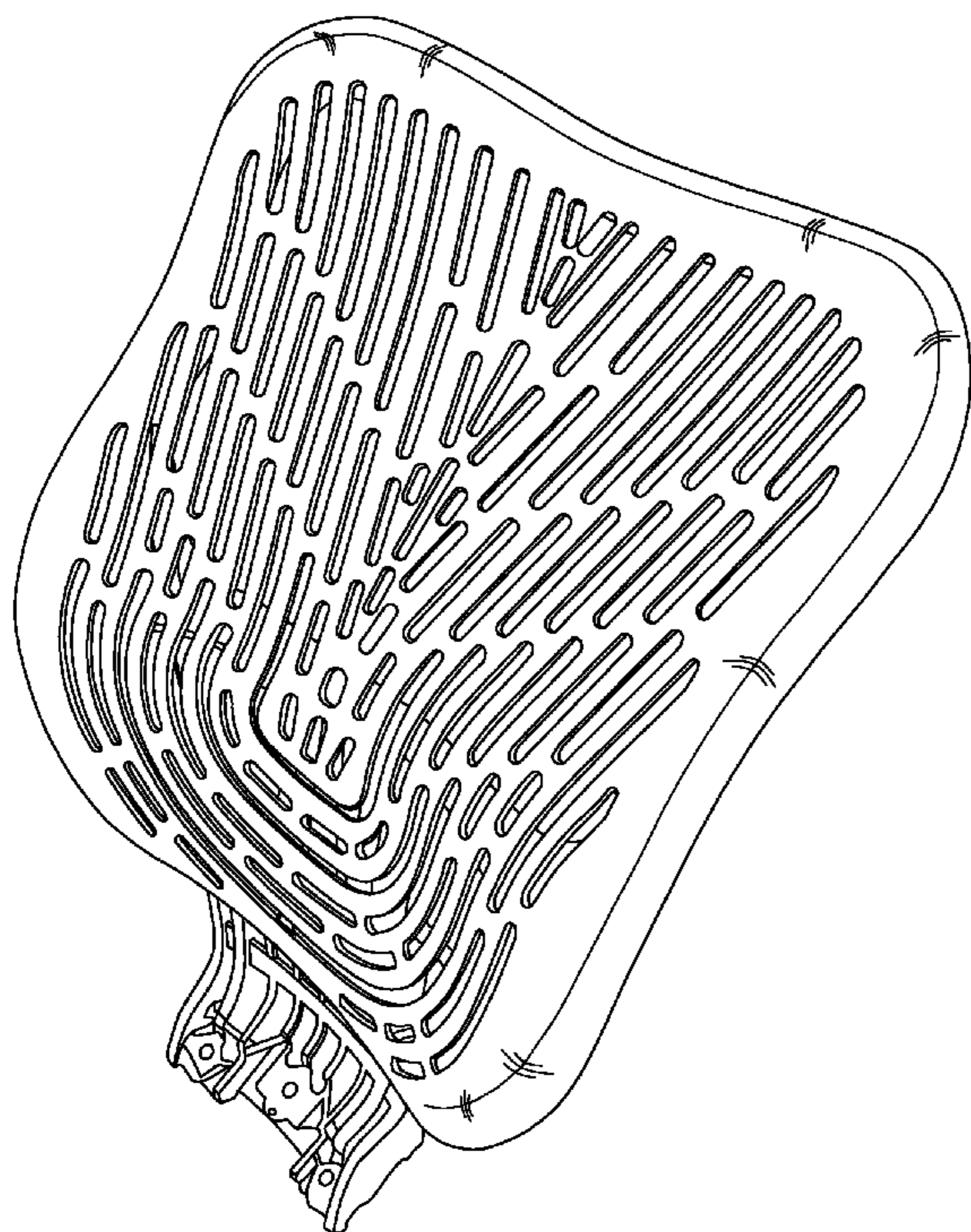
FIG. 4 is a left side elevation view thereof;

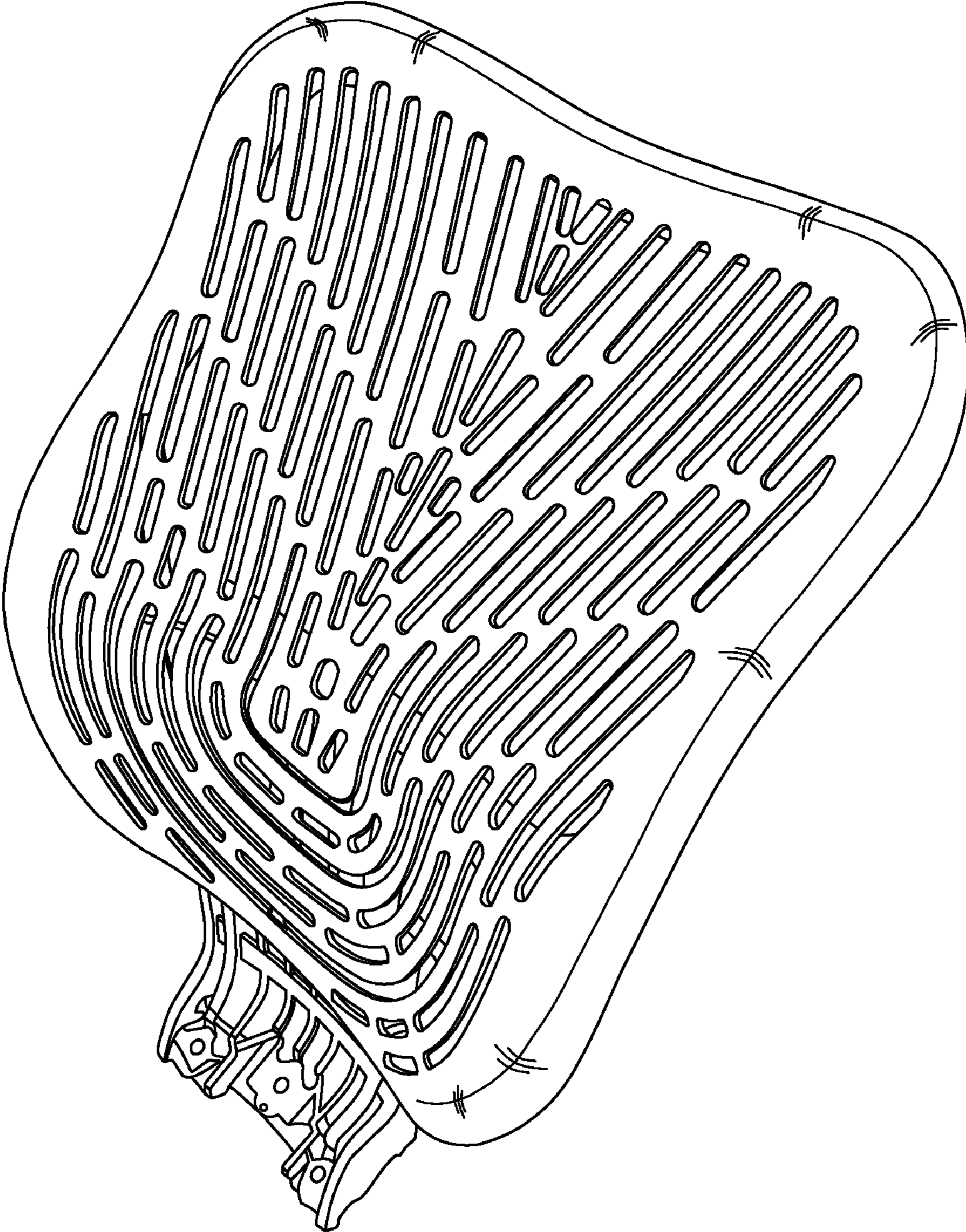
FIG. 5 is a right side elevation view thereof;

FIG. 6 is a top plan view thereof; and,

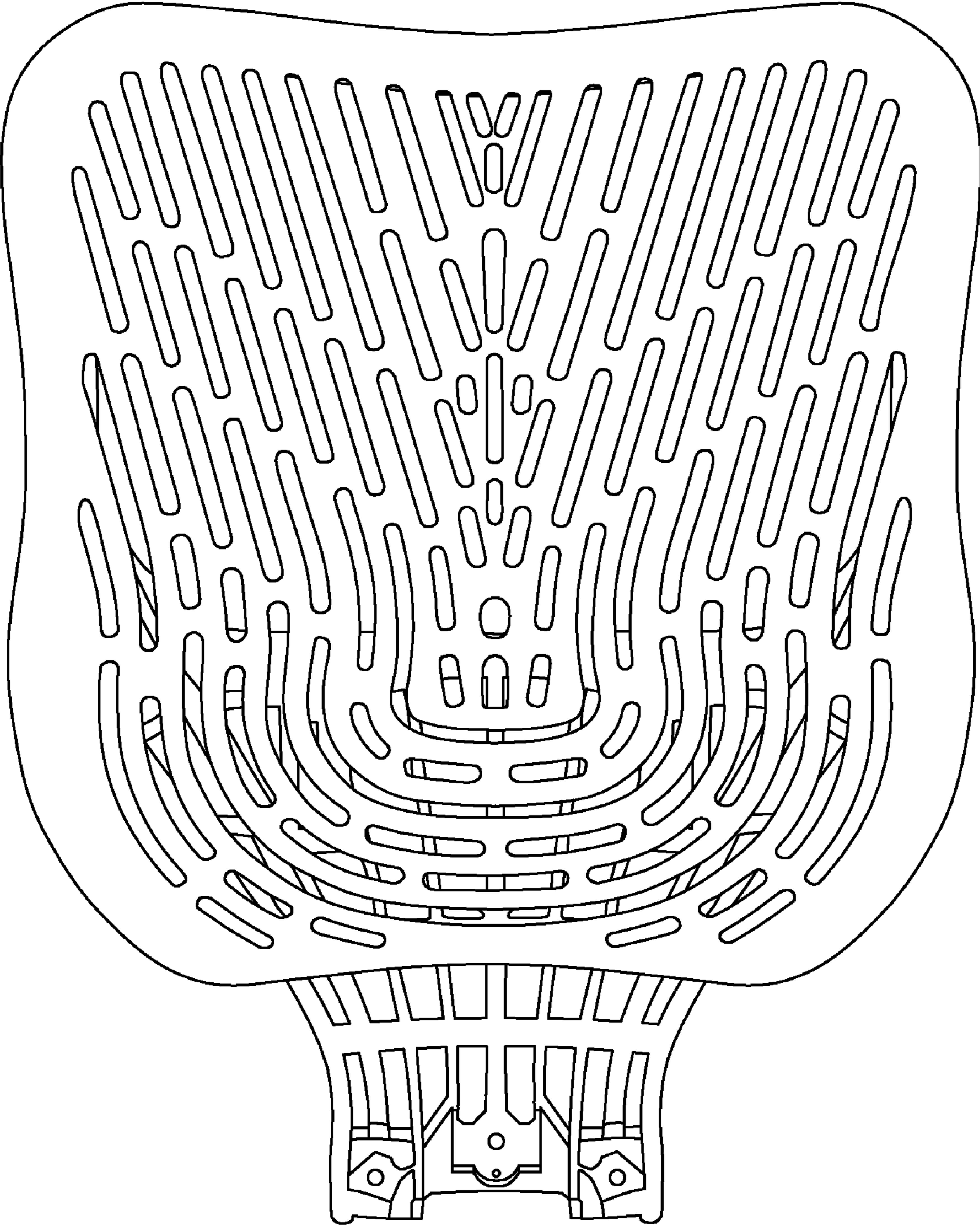
FIG. 7 is a bottom plan view thereof.

**1 Claim, 6 Drawing Sheets**





F I G . 1



F I G . 2

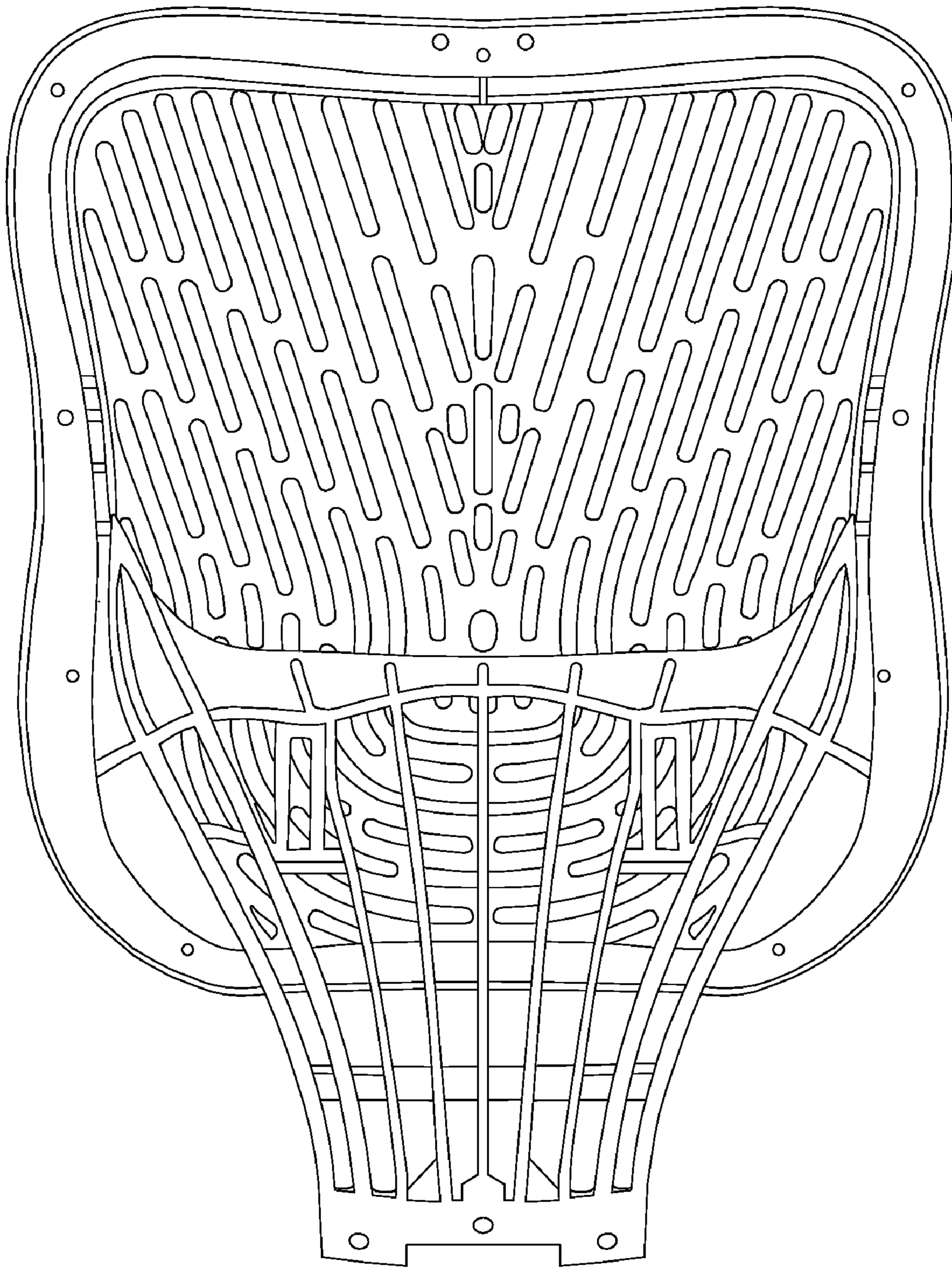
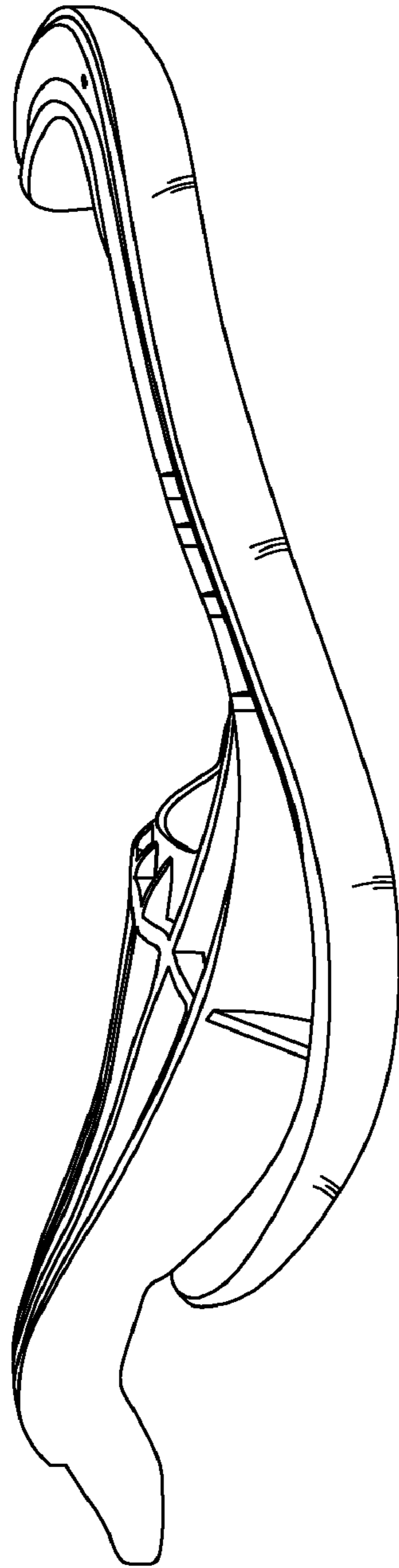
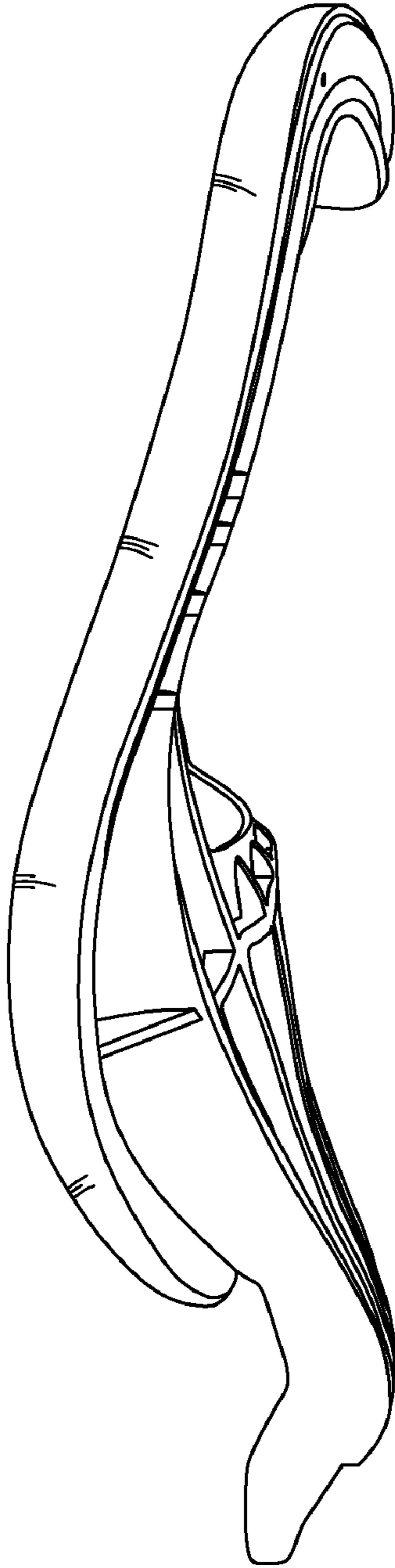


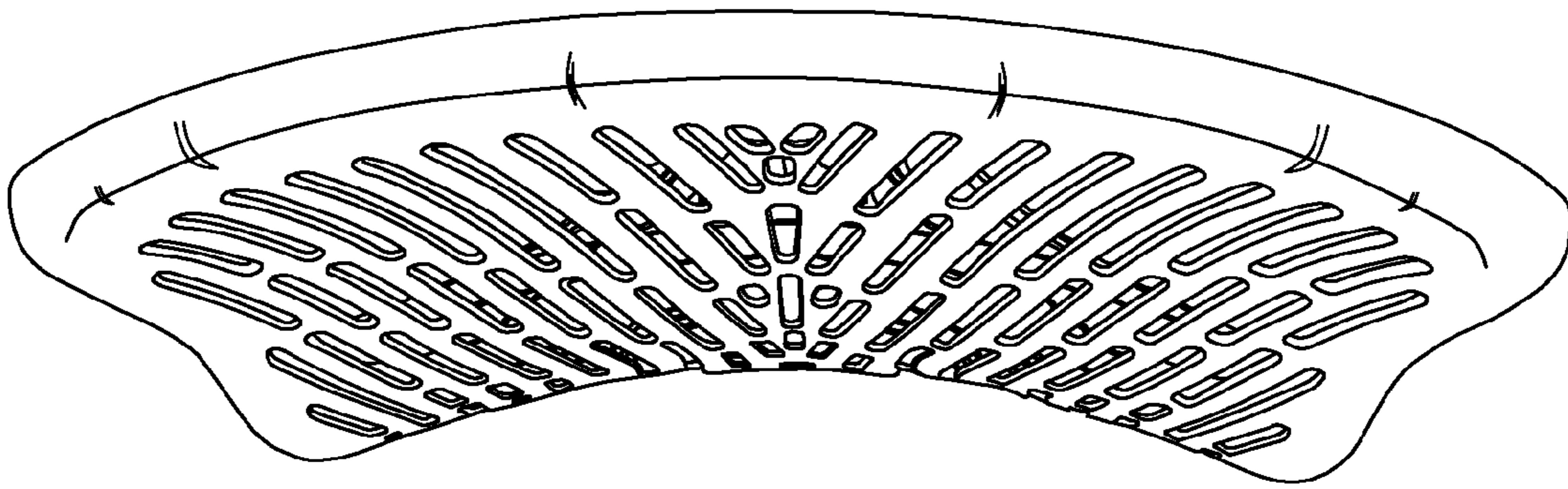
FIG. 3



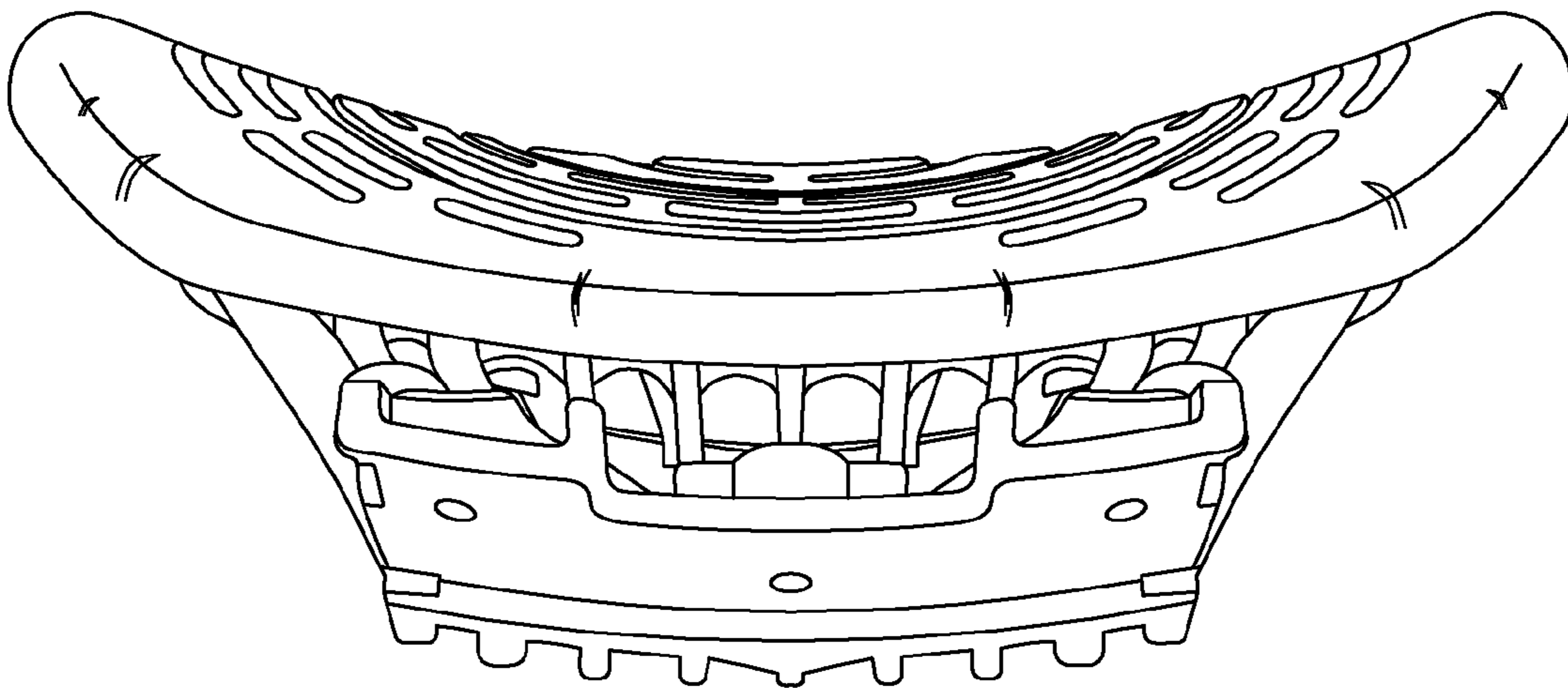
F I G . 4



F I G . 5



F I G . 6



F I G . 7