



US00D575084S

(12) **United States Design Patent**
Jehs et al.

(10) **Patent No.:** **US D575,084 S**

(45) **Date of Patent:** **** Aug. 19, 2008**

(54) **TABLE**

D368,193 S * 3/1996 Walters D6/486
D393,764 S * 4/1998 Hundertmark D6/498
D562,036 S * 2/2008 Roberts D6/495

(75) Inventors: **Marcus Jehs**, Stuttgart (DE); **Jürgen Laub**, Stuttgart (DE)

* cited by examiner

(73) Assignee: **Fritz Hansen A/S**, Allerød (DK)

Primary Examiner—Janice E Seeger

(**) Term: **14 Years**

(74) *Attorney, Agent, or Firm*—Renner, Otto, Boisselle & Sklar, LLP

(21) Appl. No.: **29/283,577**

(57) **CLAIM**

(22) Filed: **Aug. 17, 2007**

The ornamental design for a table, as shown and described.

(51) **LOC (8) Cl.** **06-06**

(52) **U.S. Cl.** **D6/498**

(58) **Field of Classification Search** D6/480–489,
D6/495–499; 108/50.01, 50.02, 150, 153.1,
108/155, 156, 161, 157.1; 248/188, 188.1,
248/188.7, 188.8

See application file for complete search history.

DESCRIPTION

FIG. 1 is a top view of a table showing our new design;

FIG. 2 is an end view thereof;

FIG. 3 is a bottom view thereof;

FIG. 4 is a top perspective view thereof; and,

FIG. 5 is a bottom perspective view thereof.

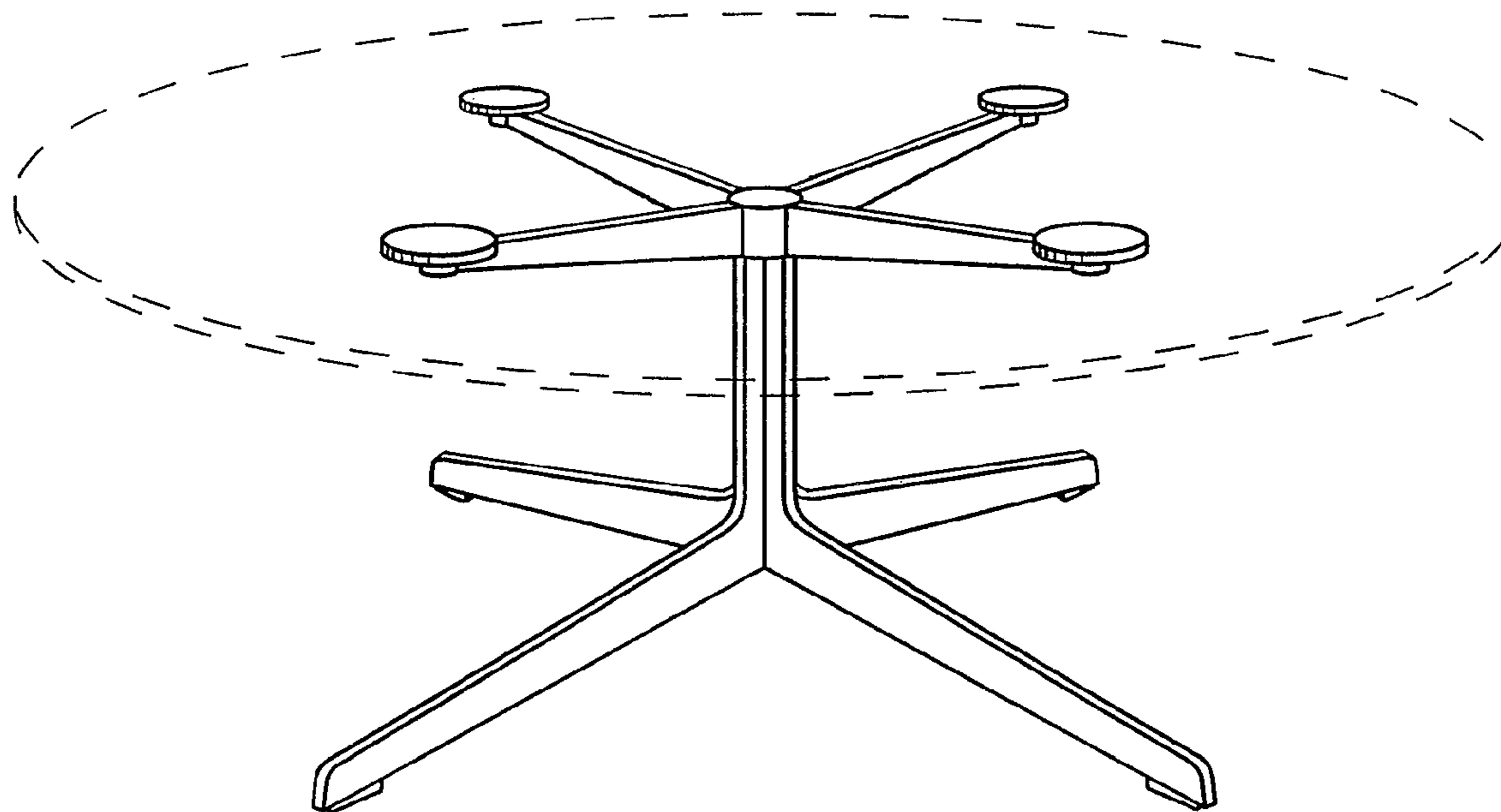
The broken lines shown herein are for illustrative purposes only and form no part of the claimed design.

(56) **References Cited**

U.S. PATENT DOCUMENTS

3,347,509 A * 10/1967 Blink et al. 248/188.7
D279,634 S * 7/1985 Platner D6/487

1 Claim, 5 Drawing Sheets



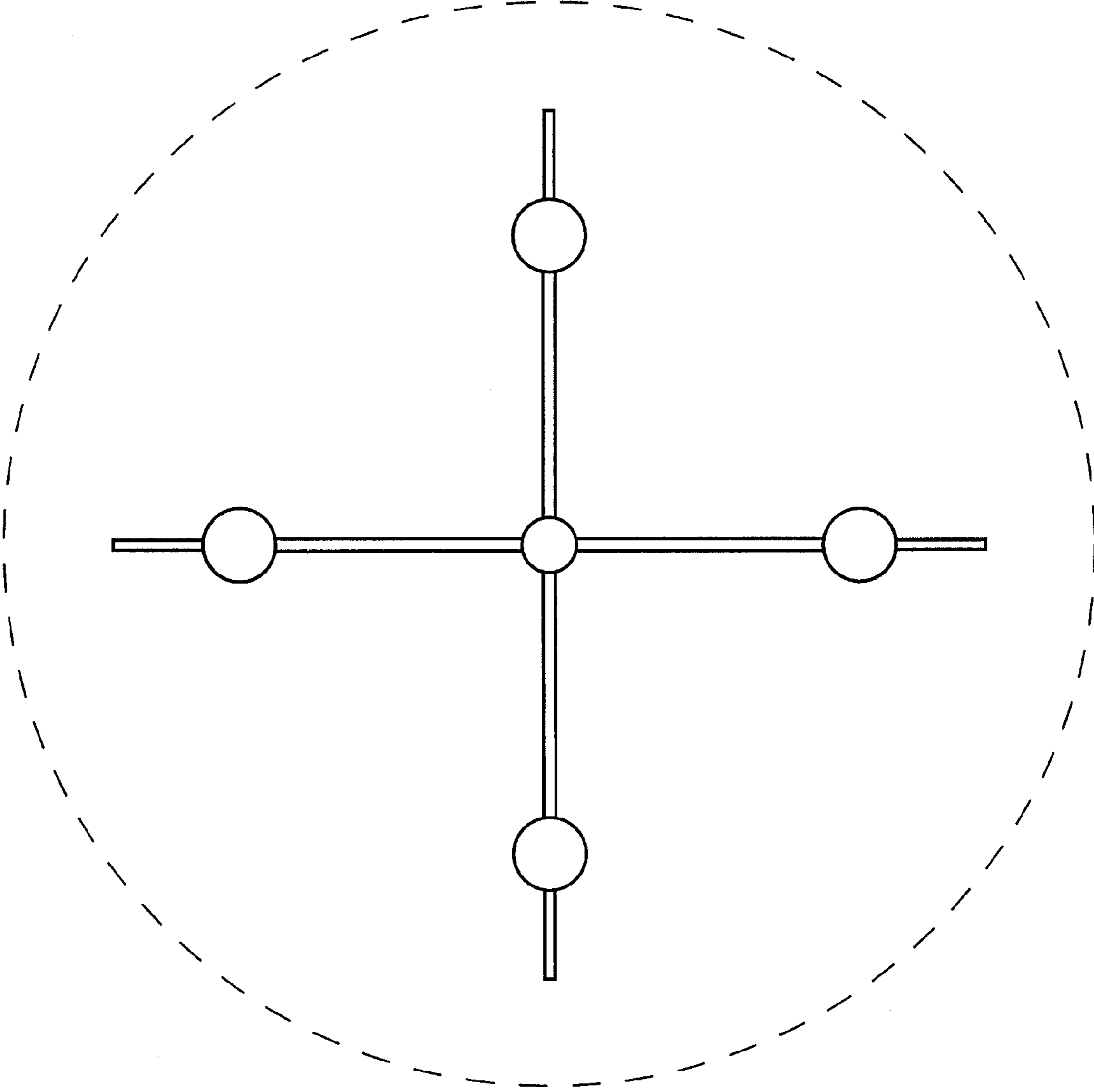


Fig. 1

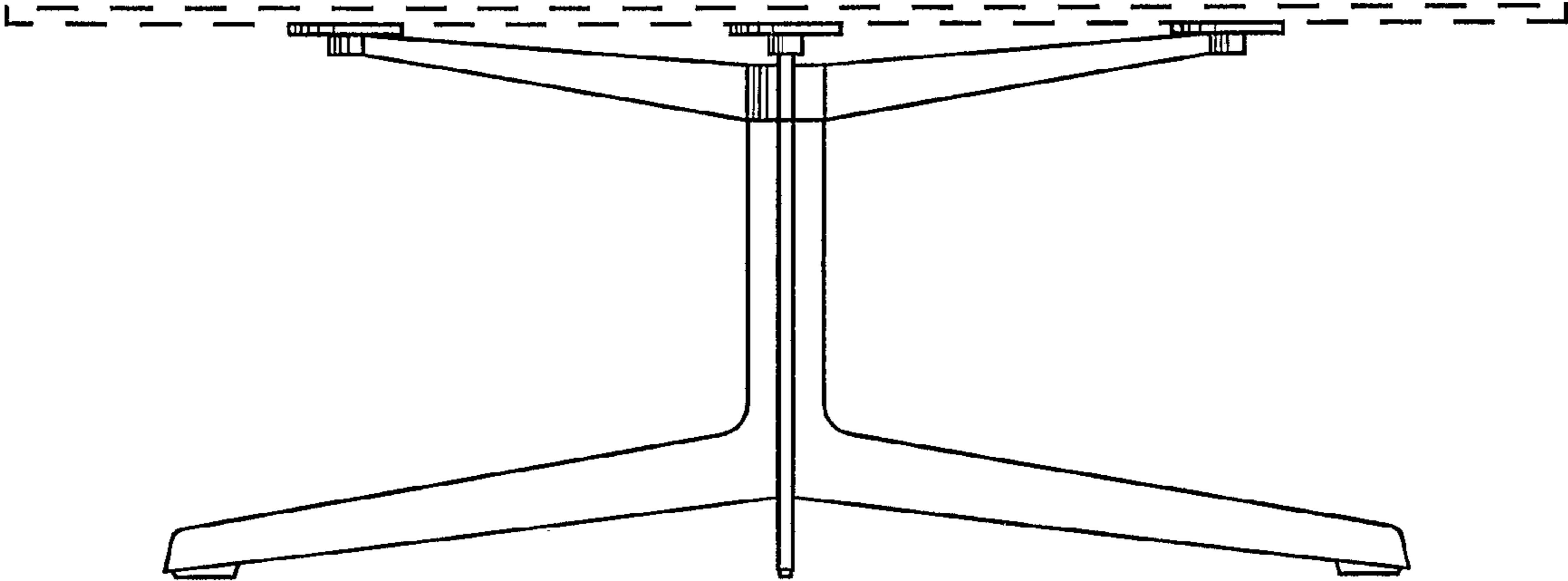


Fig. 2

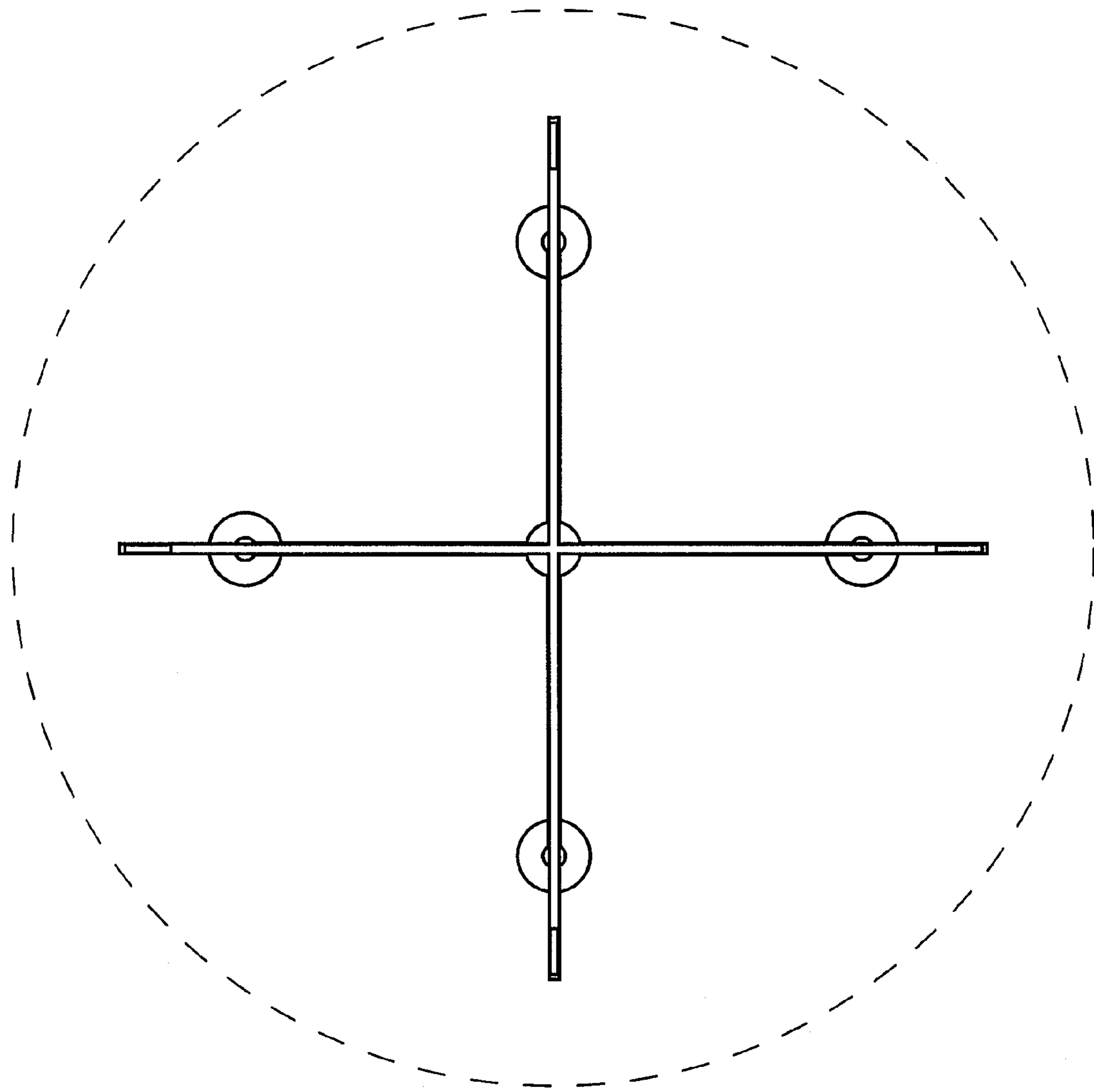


Fig. 3

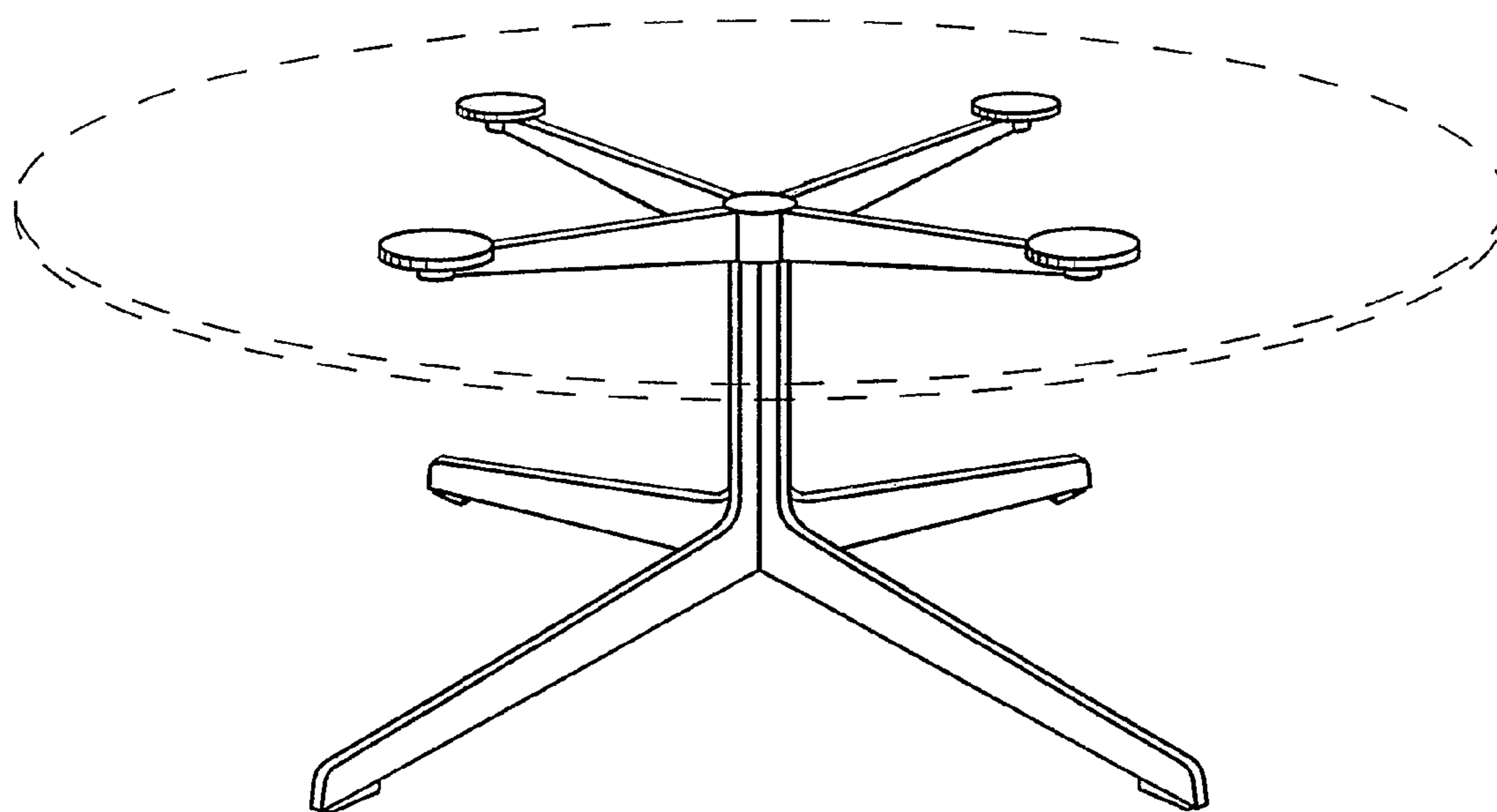


Fig. 4

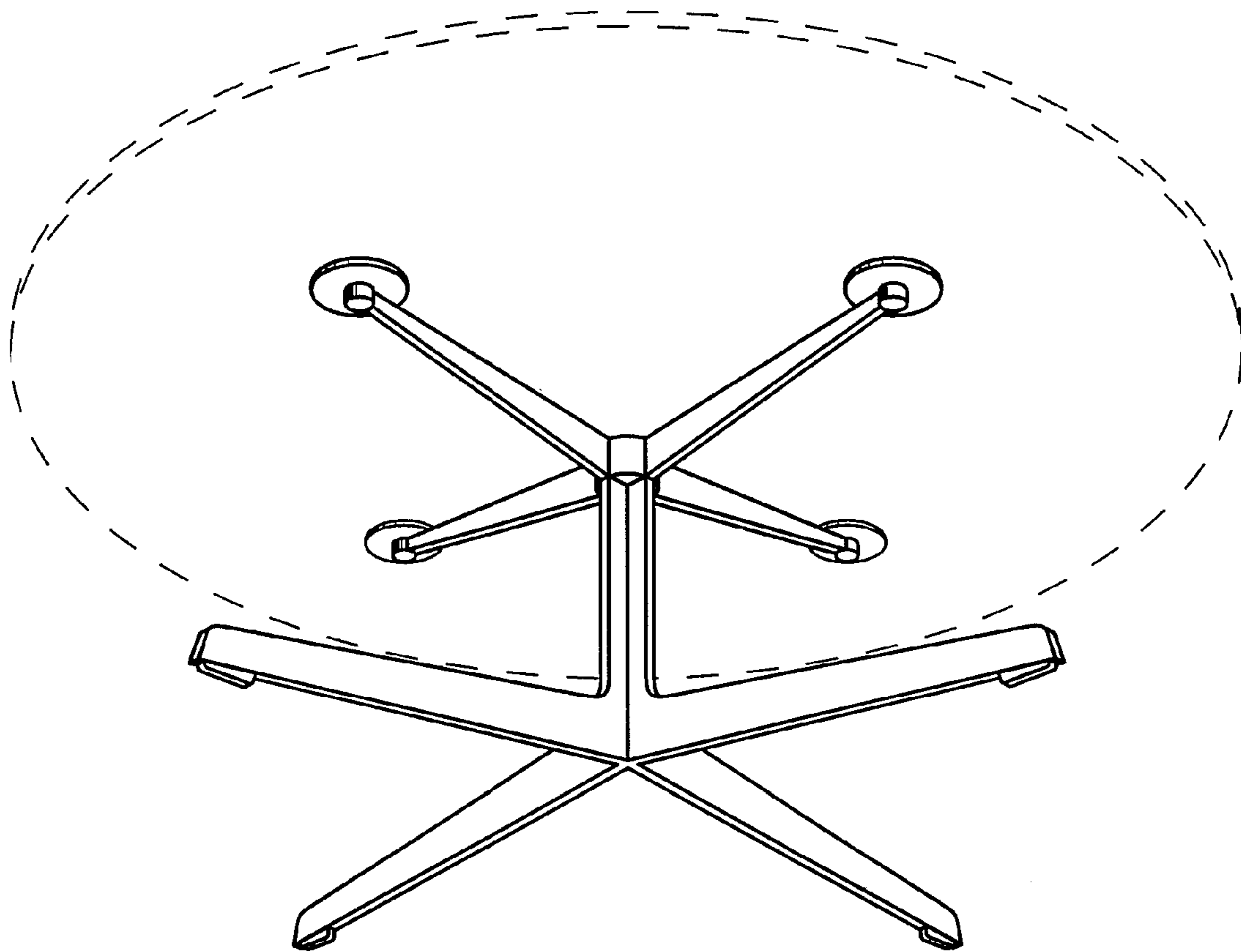


Fig. 5