



US00D575082S

(12) **United States Design Patent**  
**Hu**

(10) **Patent No.:** **US D575,082 S**

(45) **Date of Patent:** **\*\* Aug. 19, 2008**

(54) **DESK**

D519,760 S \* 5/2006 Risdon ..... D6/495

(76) Inventor: **Yun-Chi Hu**, 1F., No. 379, Sec. 1,  
Wunsin Road, Taichung (TW)

\* cited by examiner

*Primary Examiner*—Janice E. Seeger  
(74) *Attorney, Agent, or Firm*—Troxell Law Office, PLLC

(\*\*) Term: **14 Years**

(21) Appl. No.: **29/259,477**

(57) **CLAIM**

(22) Filed: **May 10, 2006**

The ornamental design for a desk, as shown.

(51) **LOC (8) Cl.** ..... **06-03**

**DESCRIPTION**

(52) **U.S. Cl.** ..... **D6/486**

(58) **Field of Classification Search** ..... D6/480–489,  
D6/495–499, 429, 492; 108/153.1, 155,  
108/157.1, 161, 150; 248/188, 188.1, 188.8  
See application file for complete search history.

FIG. 1 is a front perspective view of a desk showing my new design;

FIG. 2 is a front elevational view thereof;

FIG. 3 is a rear elevational view thereof;

FIG. 4 is a left side elevational view thereof;

FIG. 5 is a right side elevational view thereof;

FIG. 6 is a top plan view thereof; and,

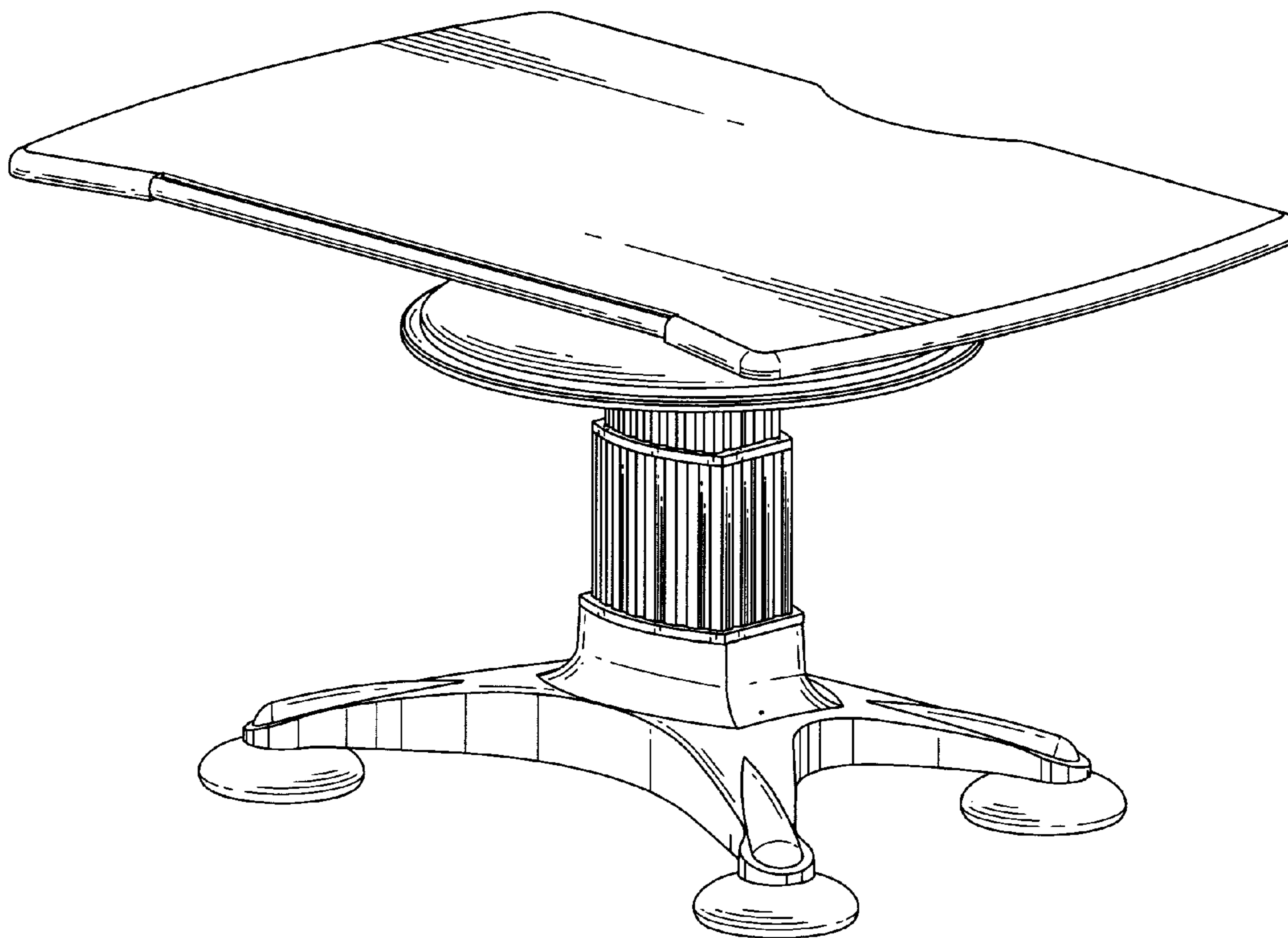
FIG. 7 is a bottom plan view thereof.

(56) **References Cited**

U.S. PATENT DOCUMENTS

1,952,665	A	*	3/1934	Failey	.....	108/150
D439,772	S	*	4/2001	Gutgsell	.....	D6/498
D492,517	S	*	7/2004	Risdon et al.	.....	D6/495
D494,782	S	*	8/2004	Stanton	.....	D6/486

**1 Claim, 7 Drawing Sheets**



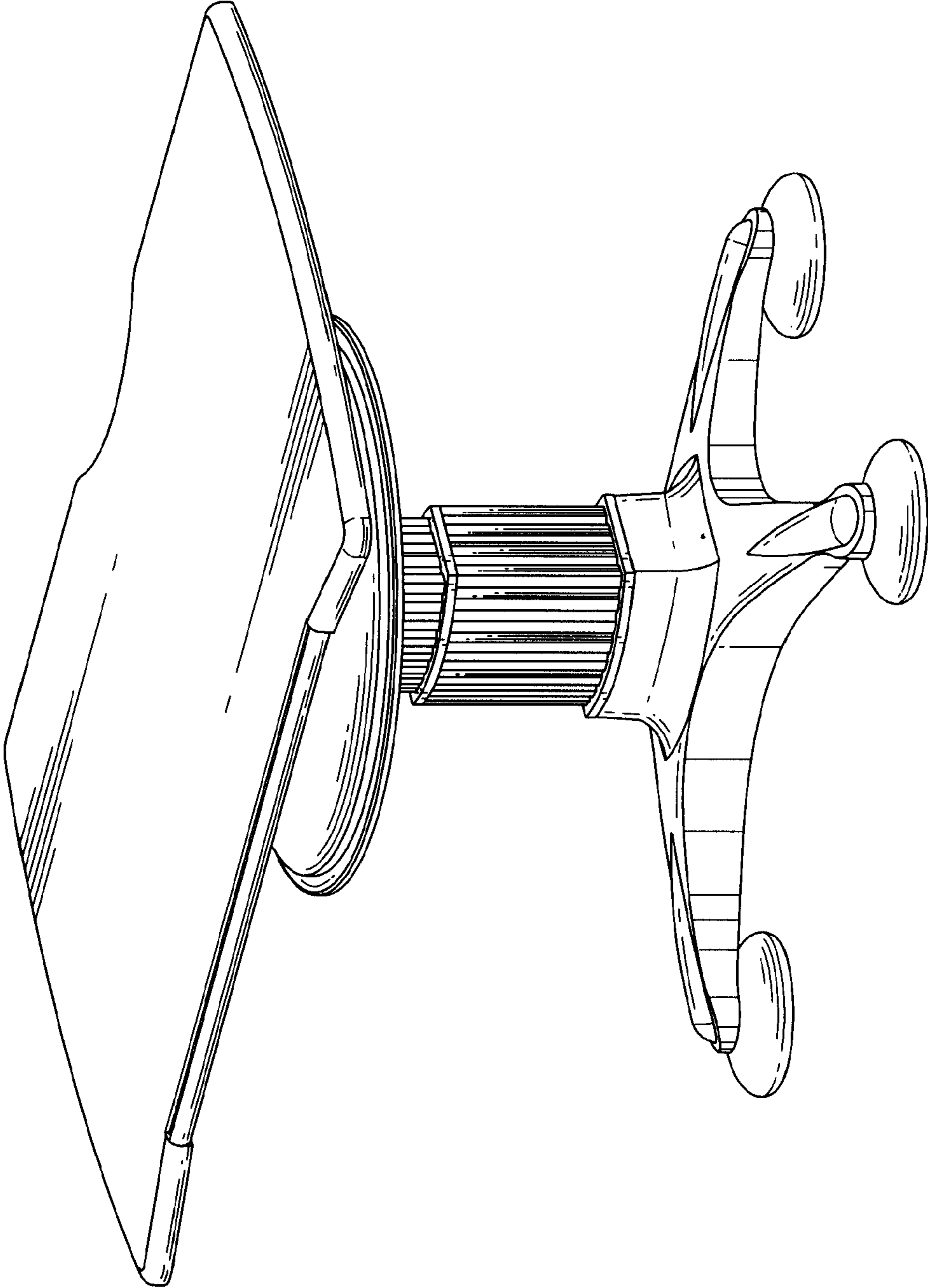


Fig. 1

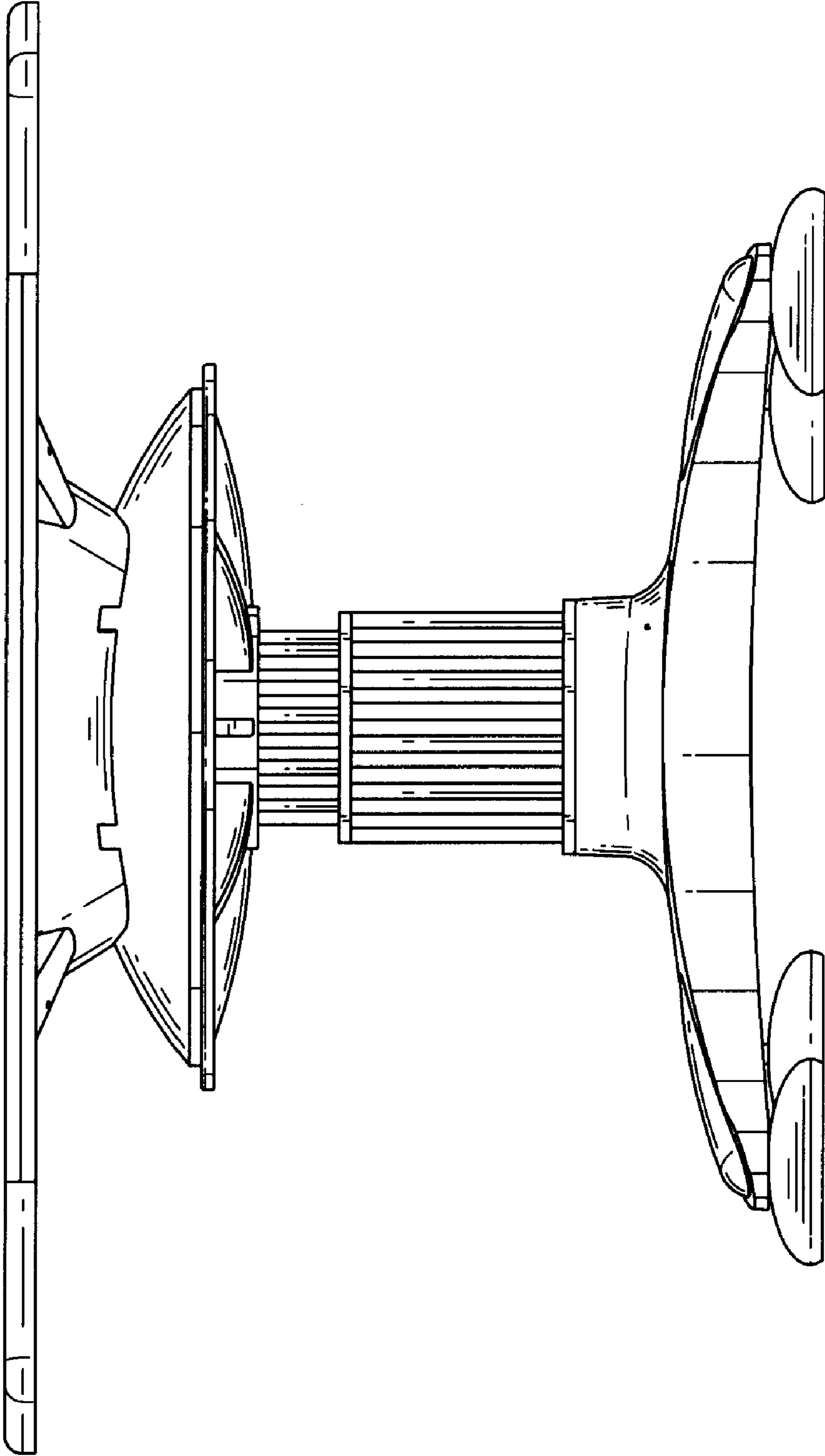


Fig. 2

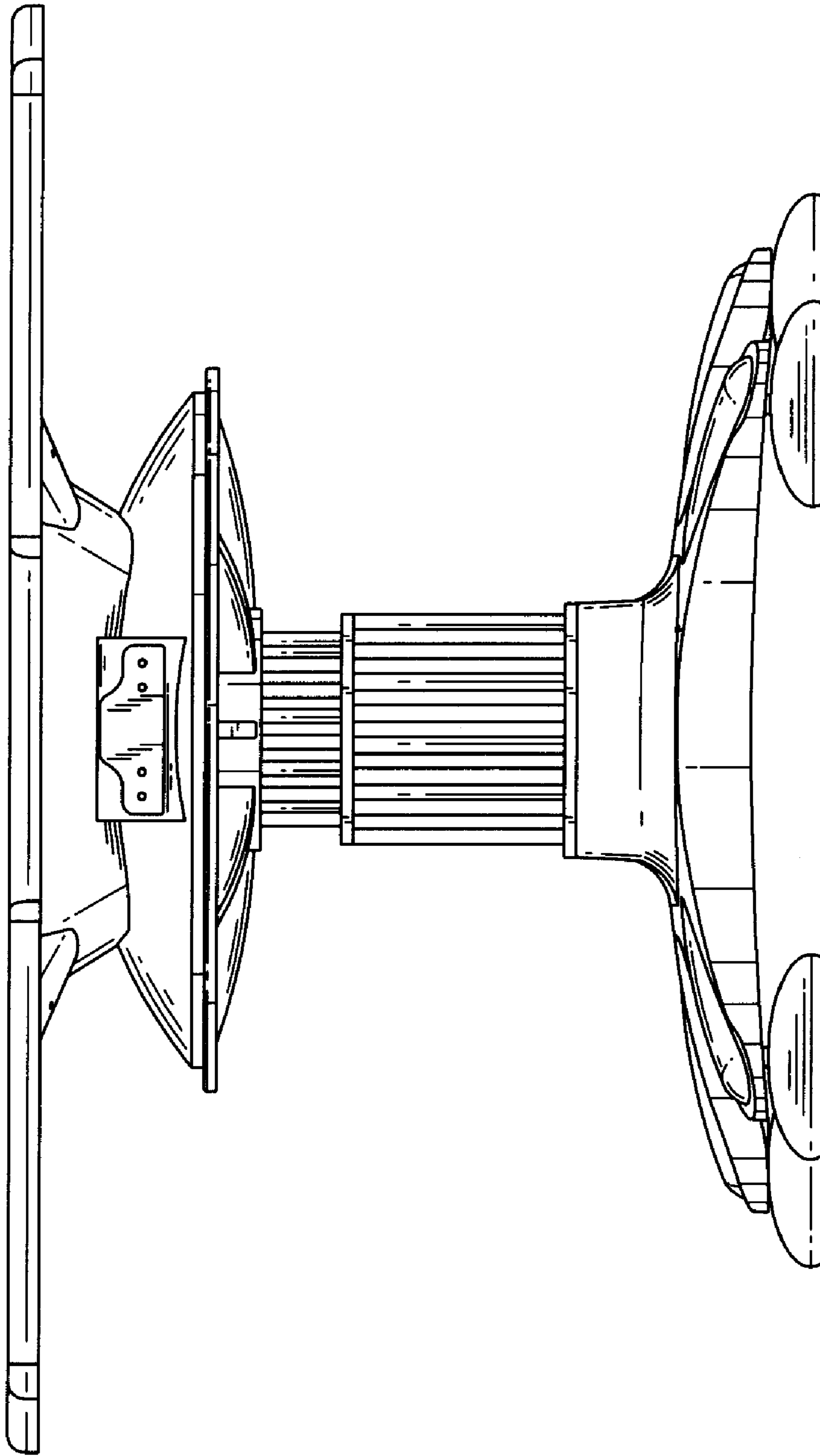


Fig. 3

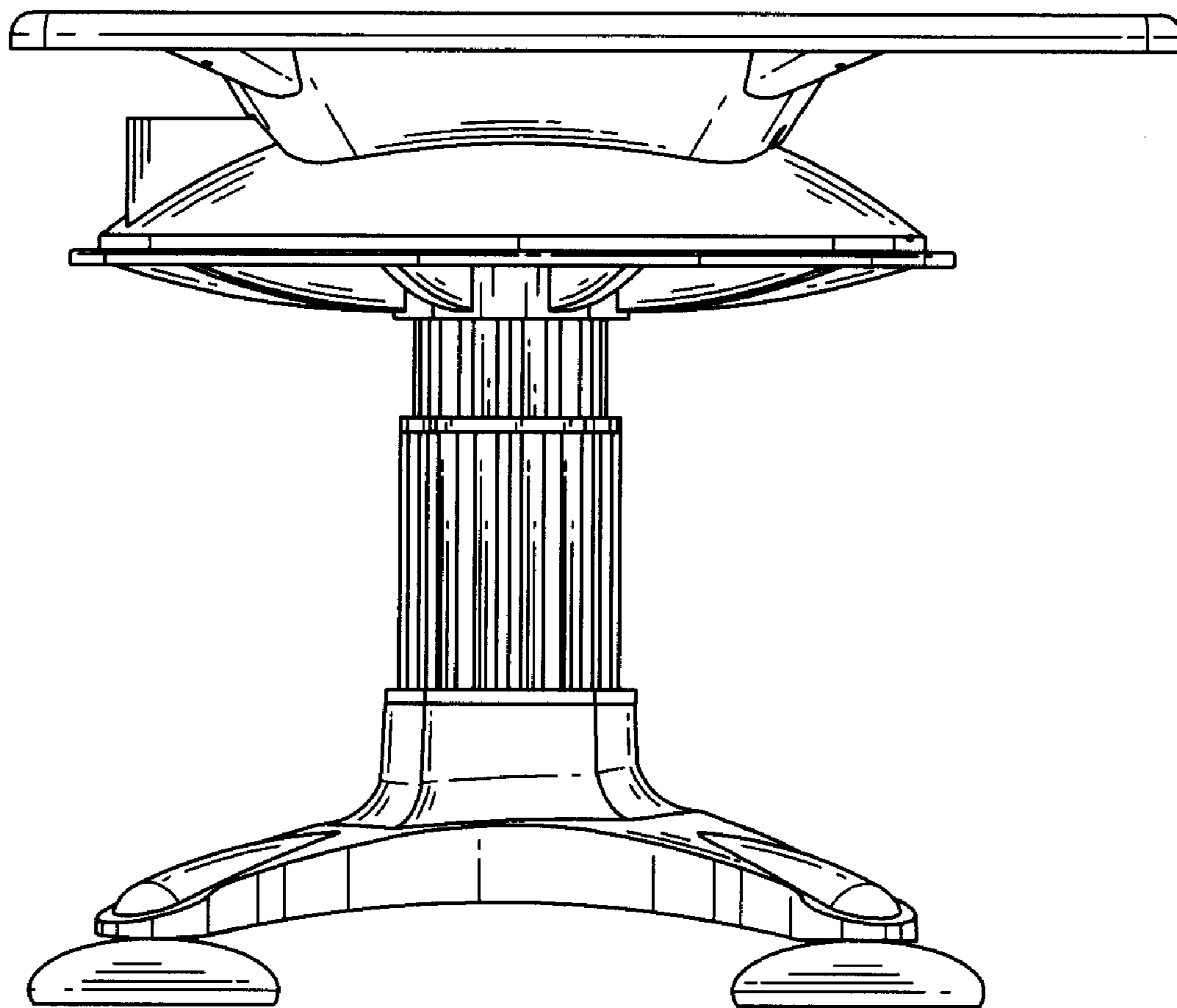


Fig. 4

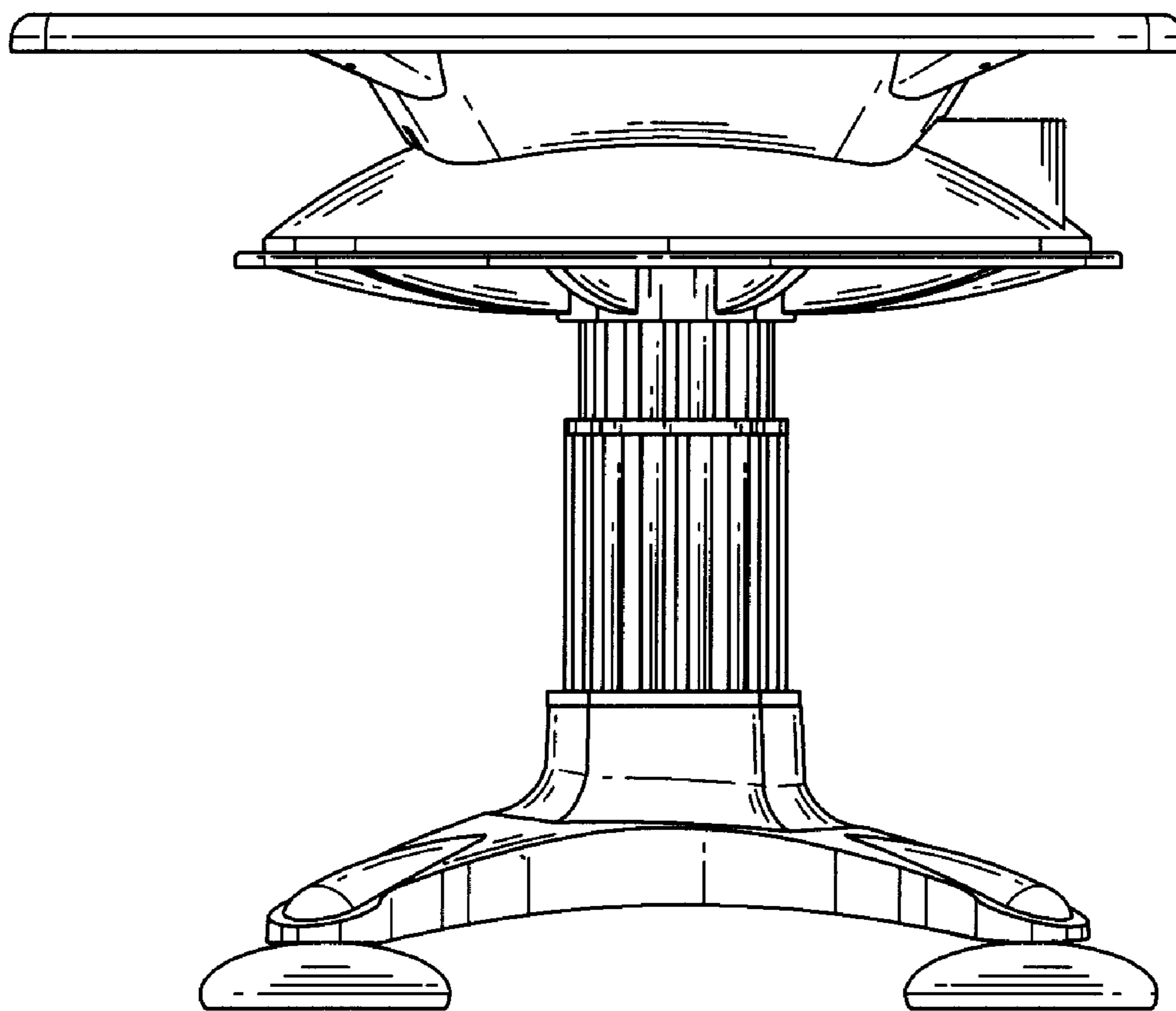


Fig. 5

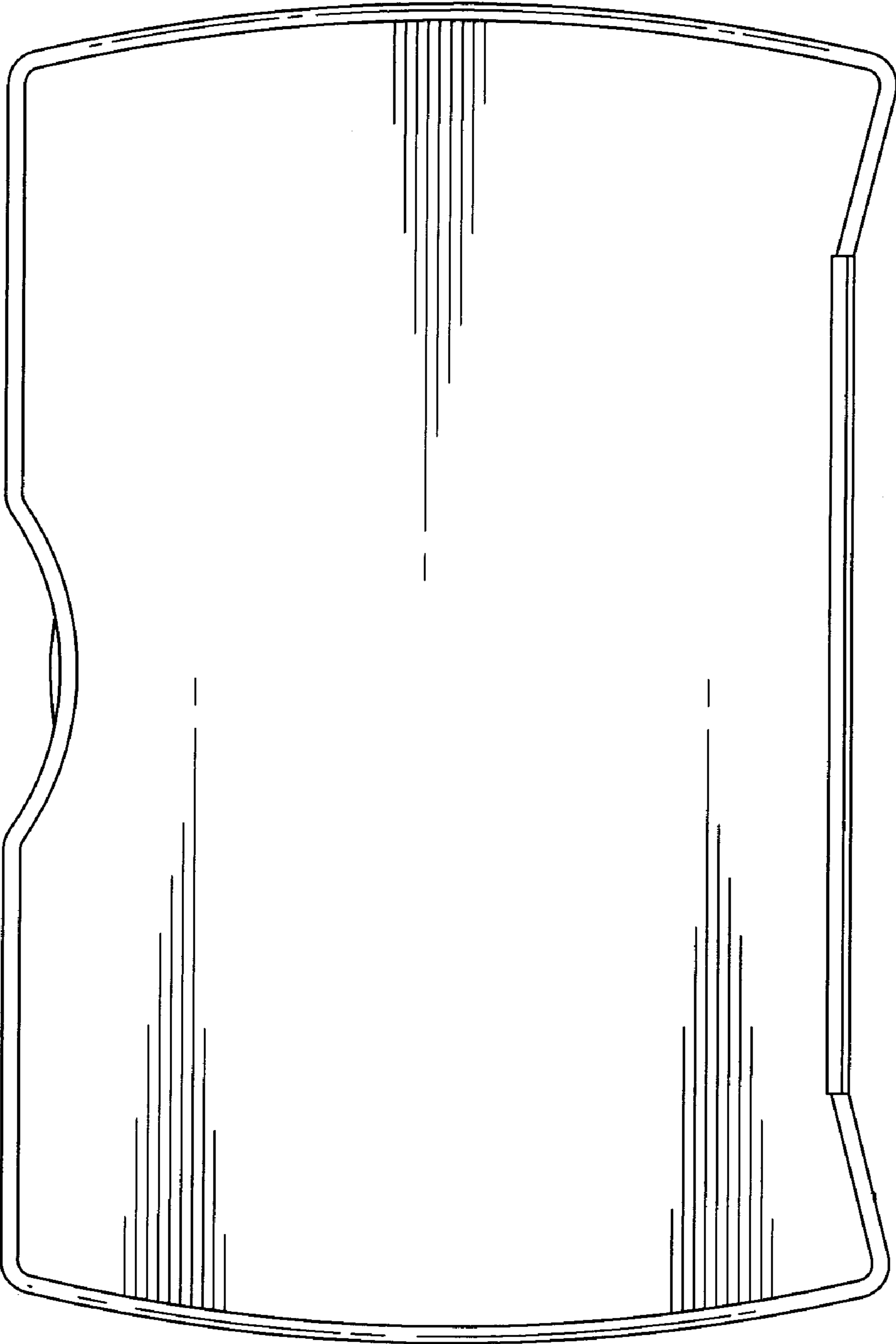


Fig. 6

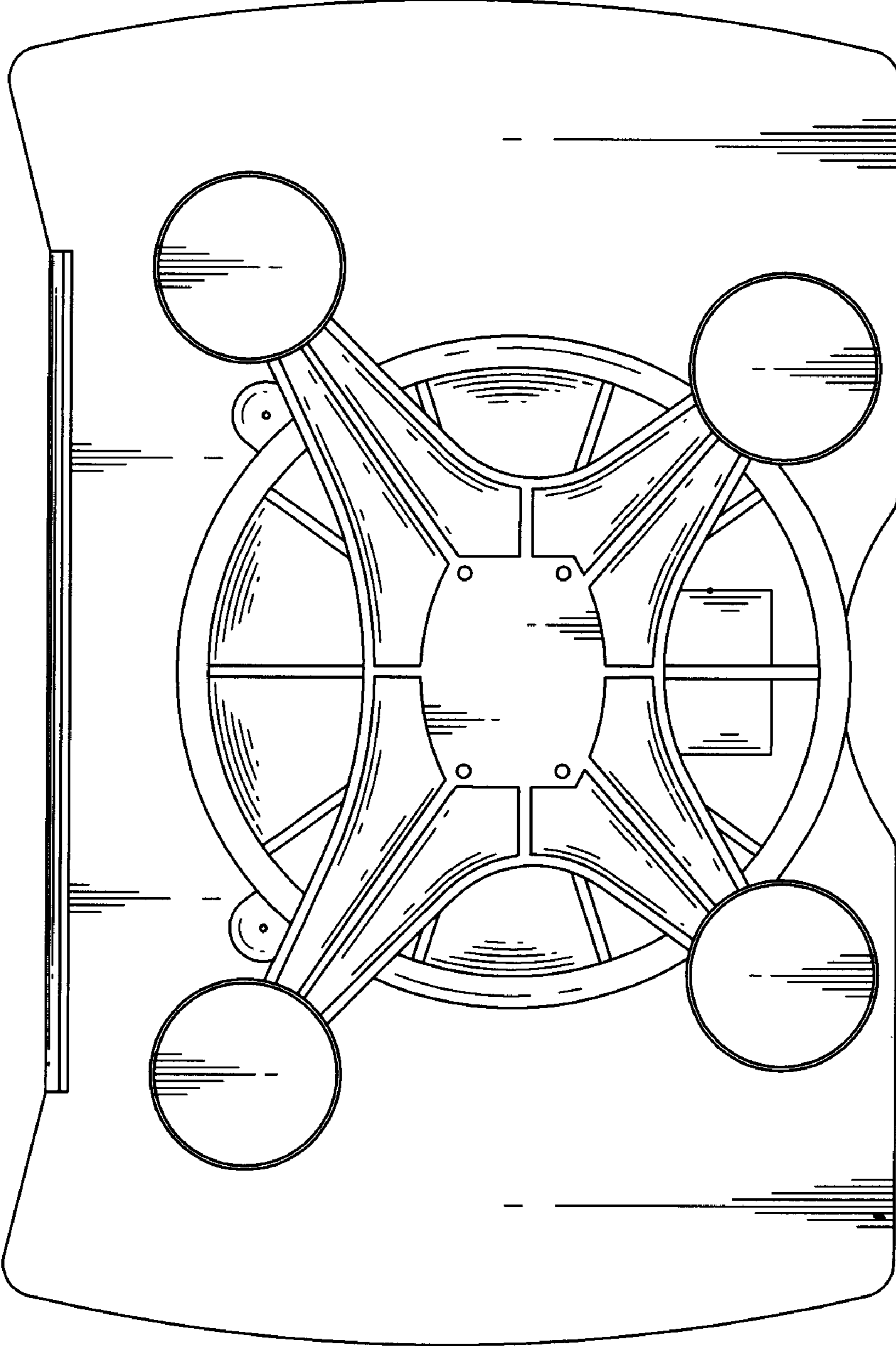


Fig. 7