



US00D575081S

(12) **United States Design Patent**  
**Miyakawa**

(10) **Patent No.:** **US D575,081 S**  
(45) **Date of Patent:** **\*\* Aug. 19, 2008**

(54) **TABLE**

(76) Inventor: **Takeshi Miyakawa**, 63 N. 3rd St.,  
Brooklyn, NY (US) 11211

(\*\*) Term: **14 Years**

(21) Appl. No.: **29/292,254**

(22) Filed: **Oct. 4, 2007**

(51) **LOC (8) Cl.** ..... **06-03**

(52) **U.S. Cl.** ..... **D6/484; D6/485**

(58) **Field of Classification Search** ..... D6/480-489,  
D6/495-499, 429-431, 511; 108/150, 153.1,  
108/155, 156, 161; 248/188, 188.1, 188.8,  
248/188.9

See application file for complete search history.

(56) **References Cited**

**U.S. PATENT DOCUMENTS**

D334,312 S *	3/1993	Glass	.....	D6/484
D347,953 S *	6/1994	Mari	.....	D6/480
D444,322 S *	7/2001	Yoshino	.....	D6/484
D448,216 S *	9/2001	Kolberg	.....	D6/484
D465,359 S *	11/2002	Kolberg	.....	D6/495

D493,983 S \* 8/2004 Di Guglielmo et al. .... D6/484

\* cited by examiner

*Primary Examiner*—Janice E Seeger

(74) *Attorney, Agent, or Firm*—Day Pitney, LLP

(57) **CLAIM**

The ornamental design for a table, as shown and described.

**DESCRIPTION**

FIG. 1 is a perspective view of the table according to my new design;

FIG. 2 is a perspective view thereof taken from a vantage point different from that of FIG. 1;

FIG. 3 is a perspective view of the underside of the table;

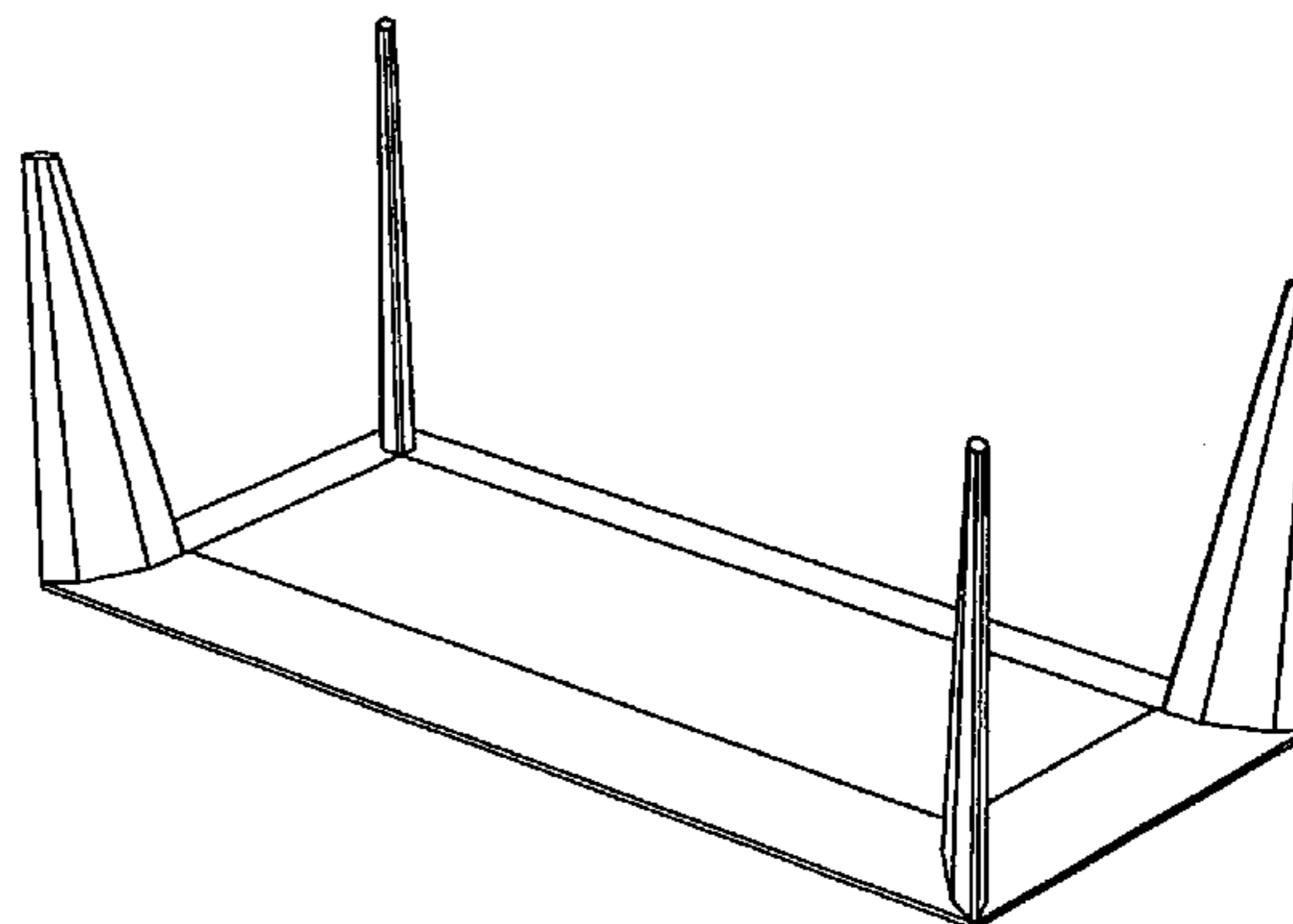
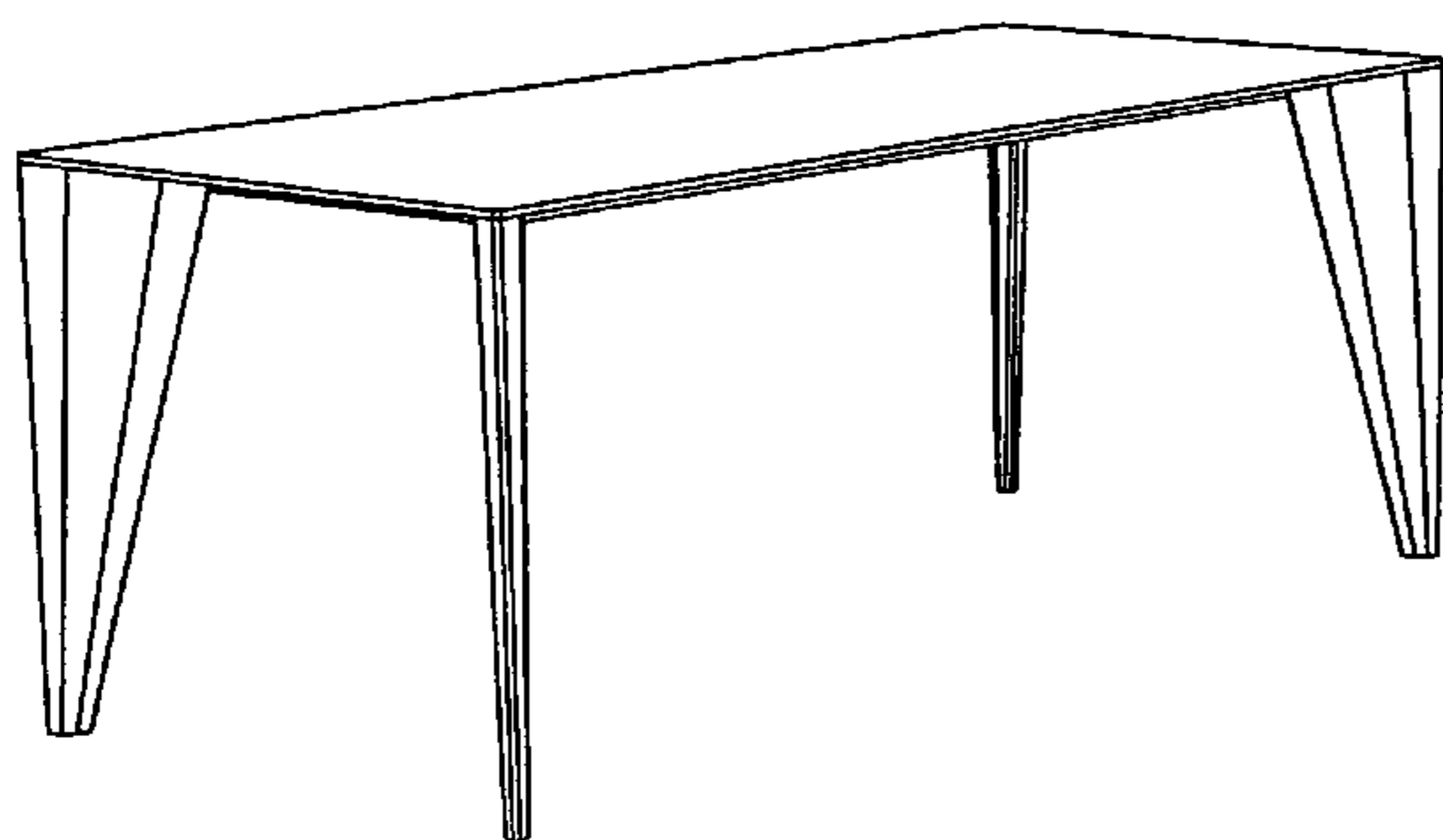
FIG. 4 is a short-side elevational view thereof, the other short-side elevational view being identical to that of FIG. 4;

FIG. 5 is a long-side elevational view thereof, the other long-side elevational view being identical to that of FIG. 5;

FIG. 6 is a plan view thereof taken from above; and,

FIG. 7 is a plan view of the table taken from below.

**1 Claim, 3 Drawing Sheets**



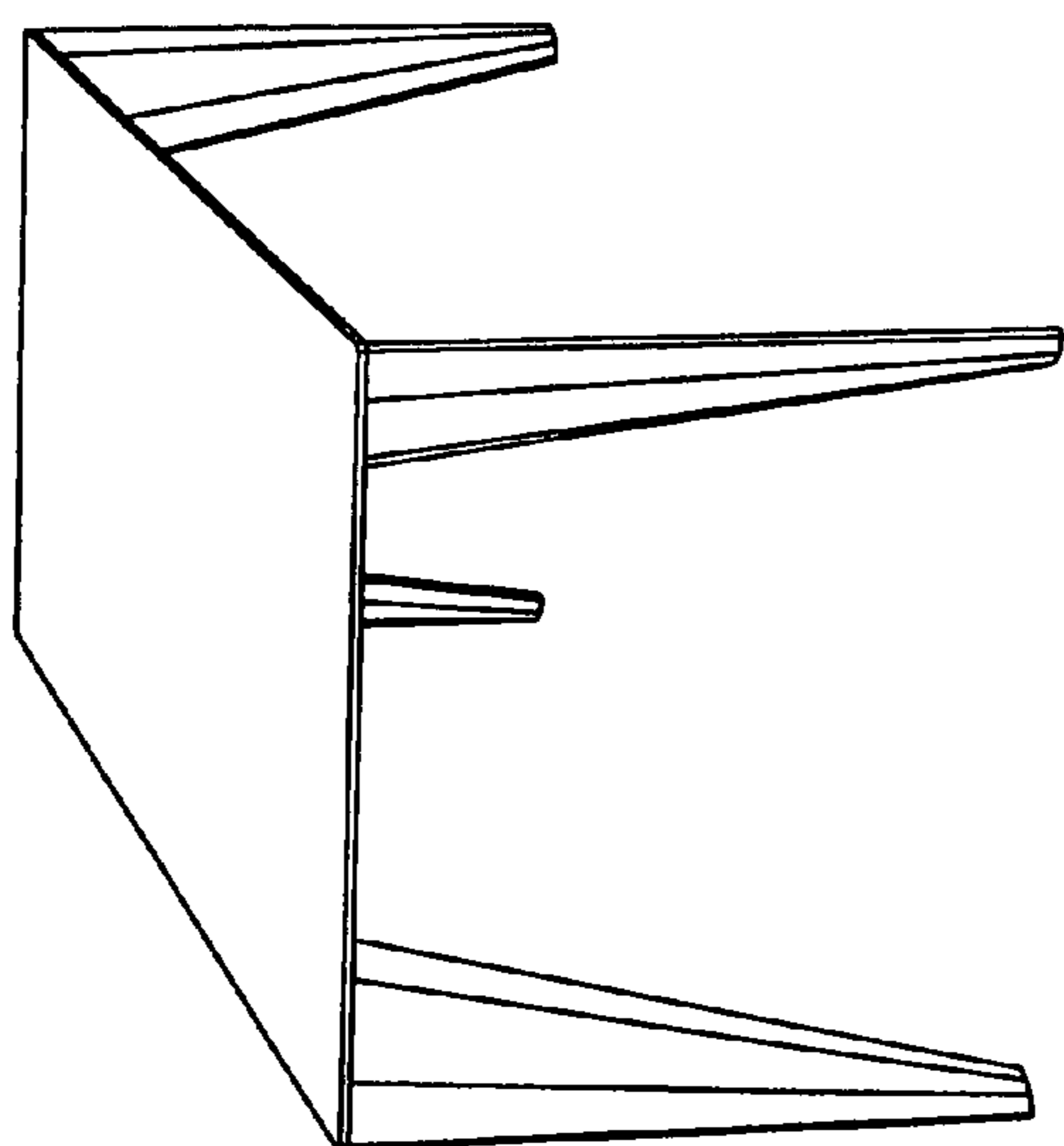


Fig. 1

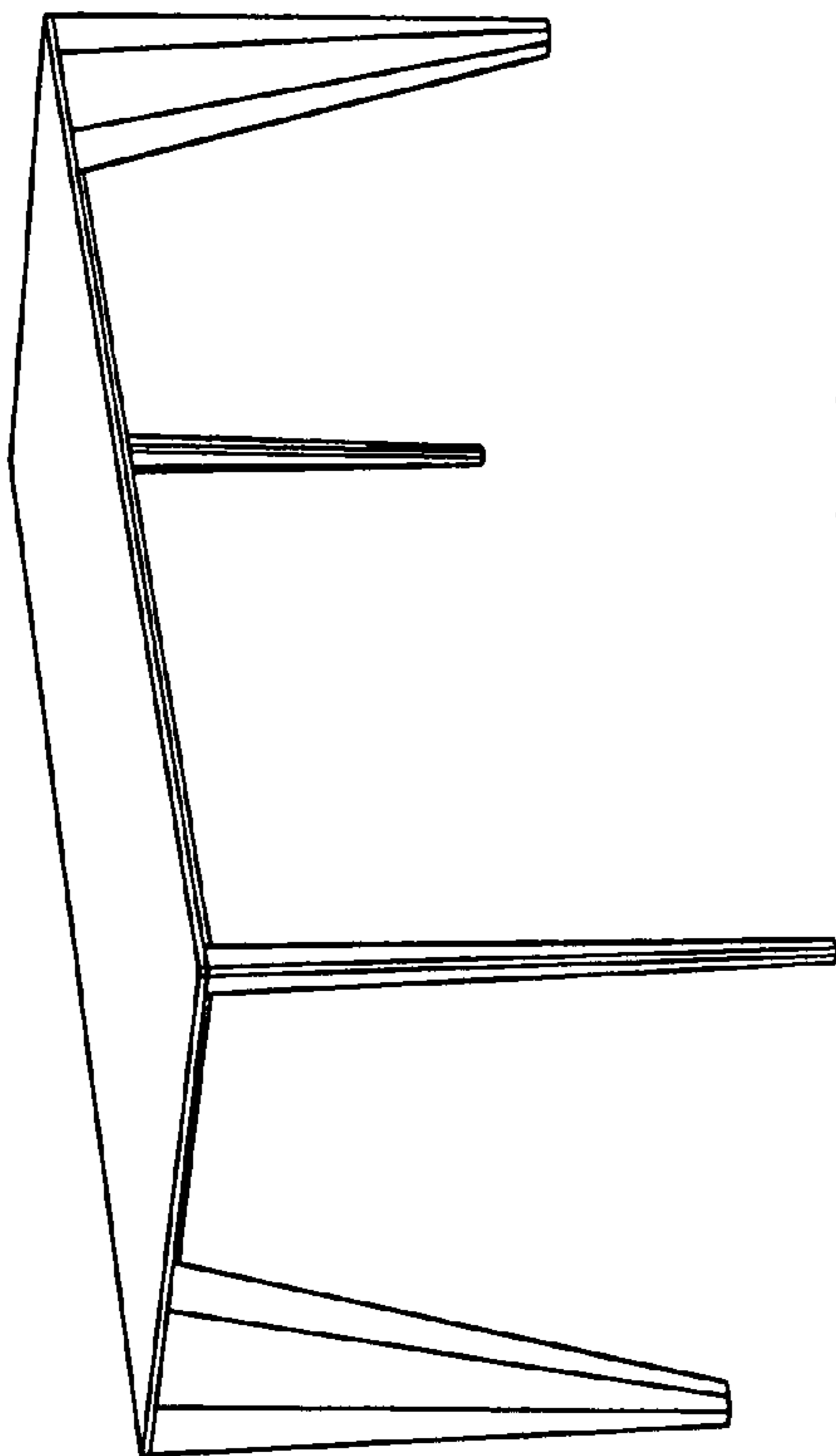


Fig. 2

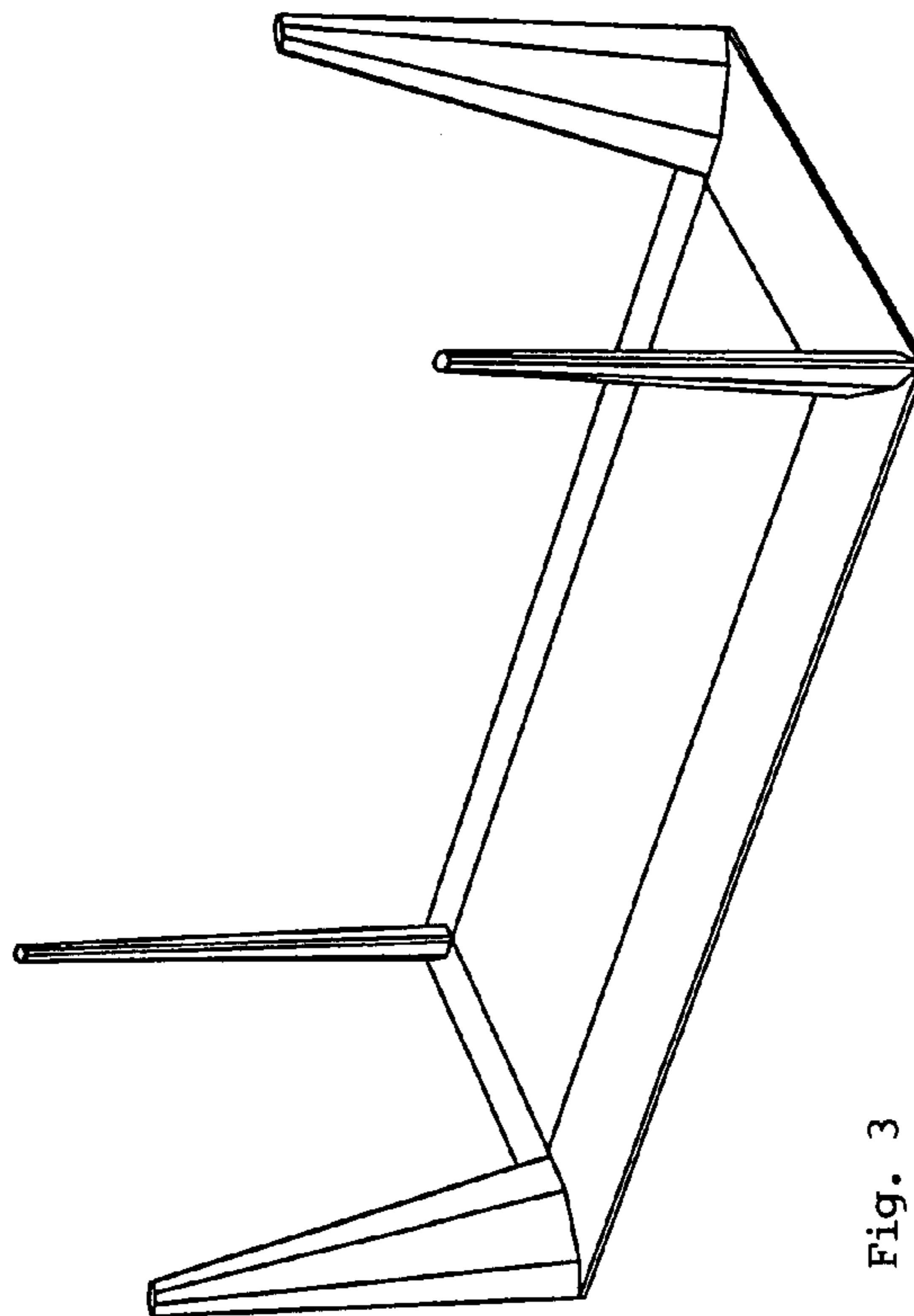


Fig. 3

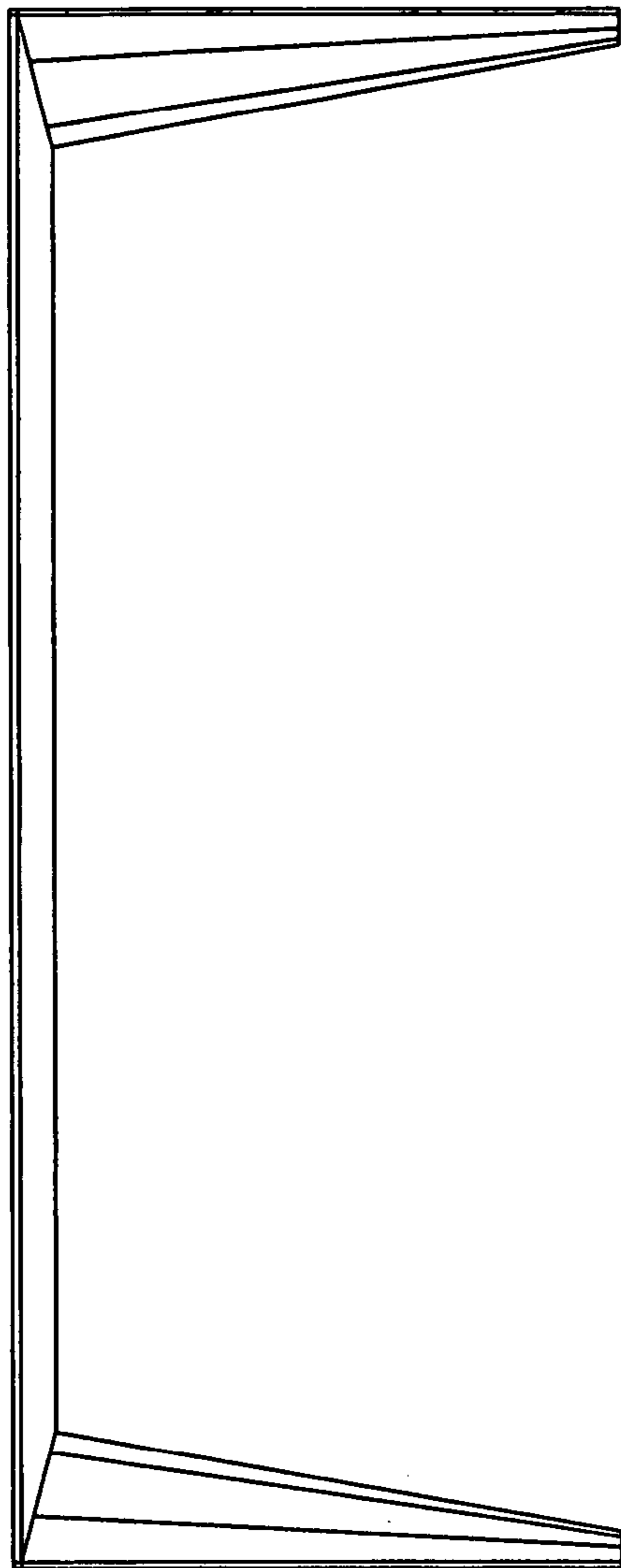


Fig. 5

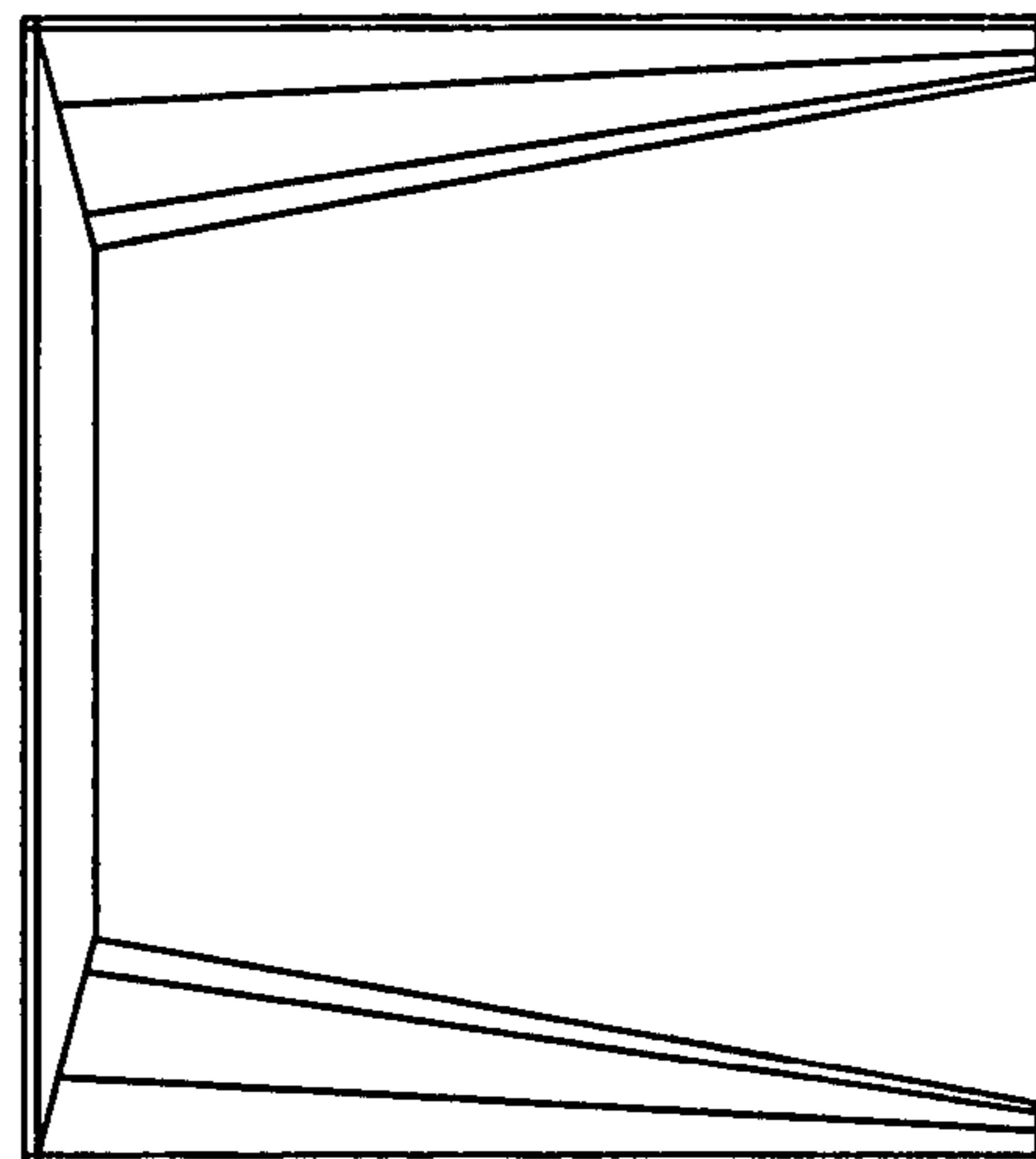


Fig. 4

Fig. 6

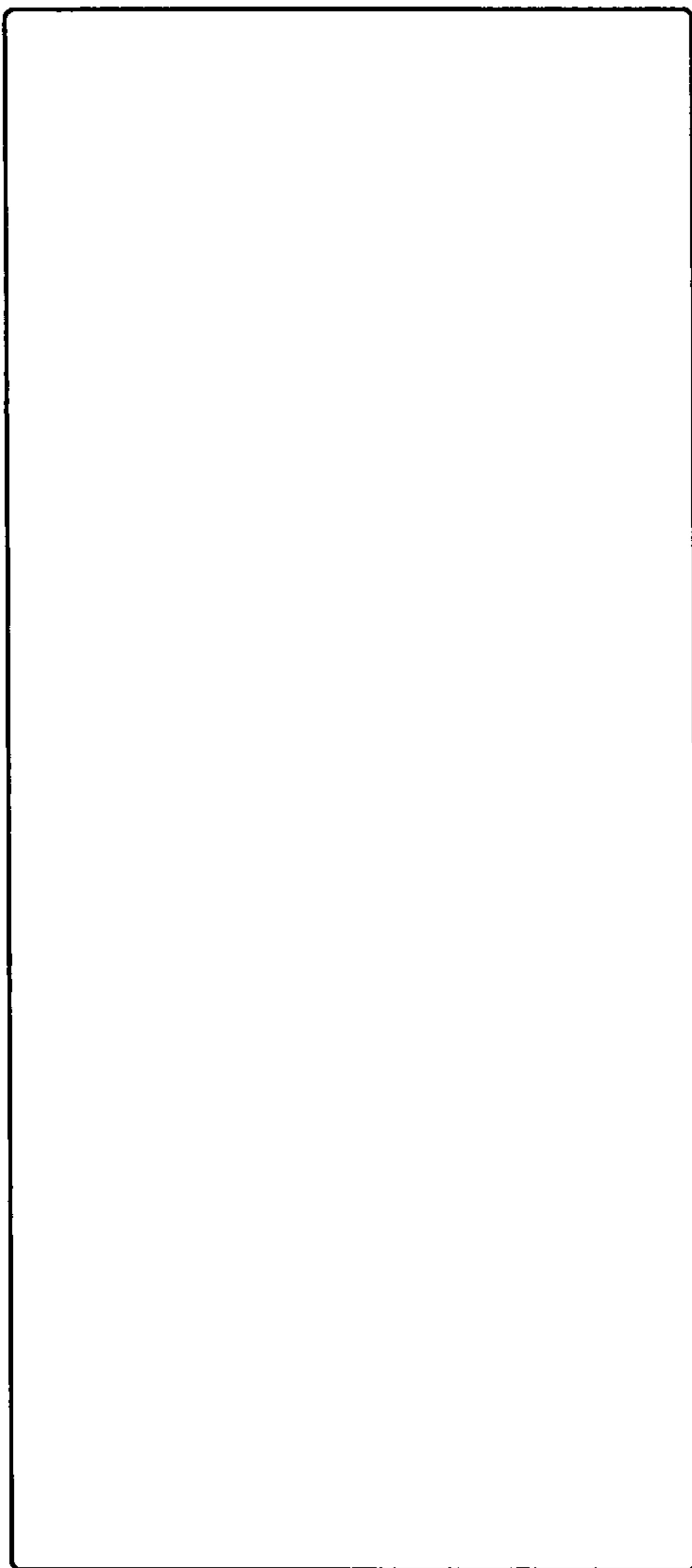


Fig. 7

