



US00D575078S

(12) **United States Design Patent**
Chan et al.

(10) **Patent No.:** **US D575,078 S**

(45) **Date of Patent:** **** Aug. 19, 2008**

(54) **CD HOLDER**

(75) Inventors: **Sik Leung Chan**, Tsuen Wan (HK);
Kunio Okamoto, Utsunomiya (JP)

(73) Assignee: **C.C. & L Company Limited**, Tsuen
Wan, N.T. (HK)

(**) Term: **14 Years**

(21) Appl. No.: **29/293,988**

(22) Filed: **Dec. 19, 2007**

(51) **LOC (8) Cl.** **06-04**

(52) **U.S. Cl.** **D6/407**

(58) **Field of Classification Search** D19/76;
206/387, 308.1, 308.2, 309-310, 313, 425;
D3/294, 273, 201; D6/407, 632, 634, 635
See application file for complete search history.

(56) **References Cited**

U.S. PATENT DOCUMENTS

2,261,806	A *	11/1941	Hills	312/9.43
5,170,889	A *	12/1992	Cue	206/232
D342,655	S *	12/1993	Ozeki	D6/630
D350,448	S *	9/1994	Hill	D6/630
6,065,599	A *	5/2000	Lincoln	206/387.13
6,179,121	B1 *	1/2001	Ferguson et al.	206/311
6,360,887	B1 *	3/2002	Petty	206/232

D477,143	S *	7/2003	Nagata et al.	D3/294
D525,069	S *	7/2006	Farrar et al.	D6/632
7,243,790	B2 *	7/2007	Civitello et al.	206/308.1
7,264,119	B2 *	9/2007	Navickas	206/390
2005/0092628	A1 *	5/2005	Chang	206/308.1
2005/0274635	A1 *	12/2005	Hopper	206/308.1

* cited by examiner

Primary Examiner—Elizabeth A. Albert

Assistant Examiner—Kelley A Donnelly

(74) *Attorney, Agent, or Firm*—Daniel P. Burke & Associates,
PLLC

(57) **CLAIM**

The ornamental design for a CD holder, as shown and described.

DESCRIPTION

FIG. 1 is a top perspective view of the device showing our new design;

FIG. 2 is a rear view thereof;

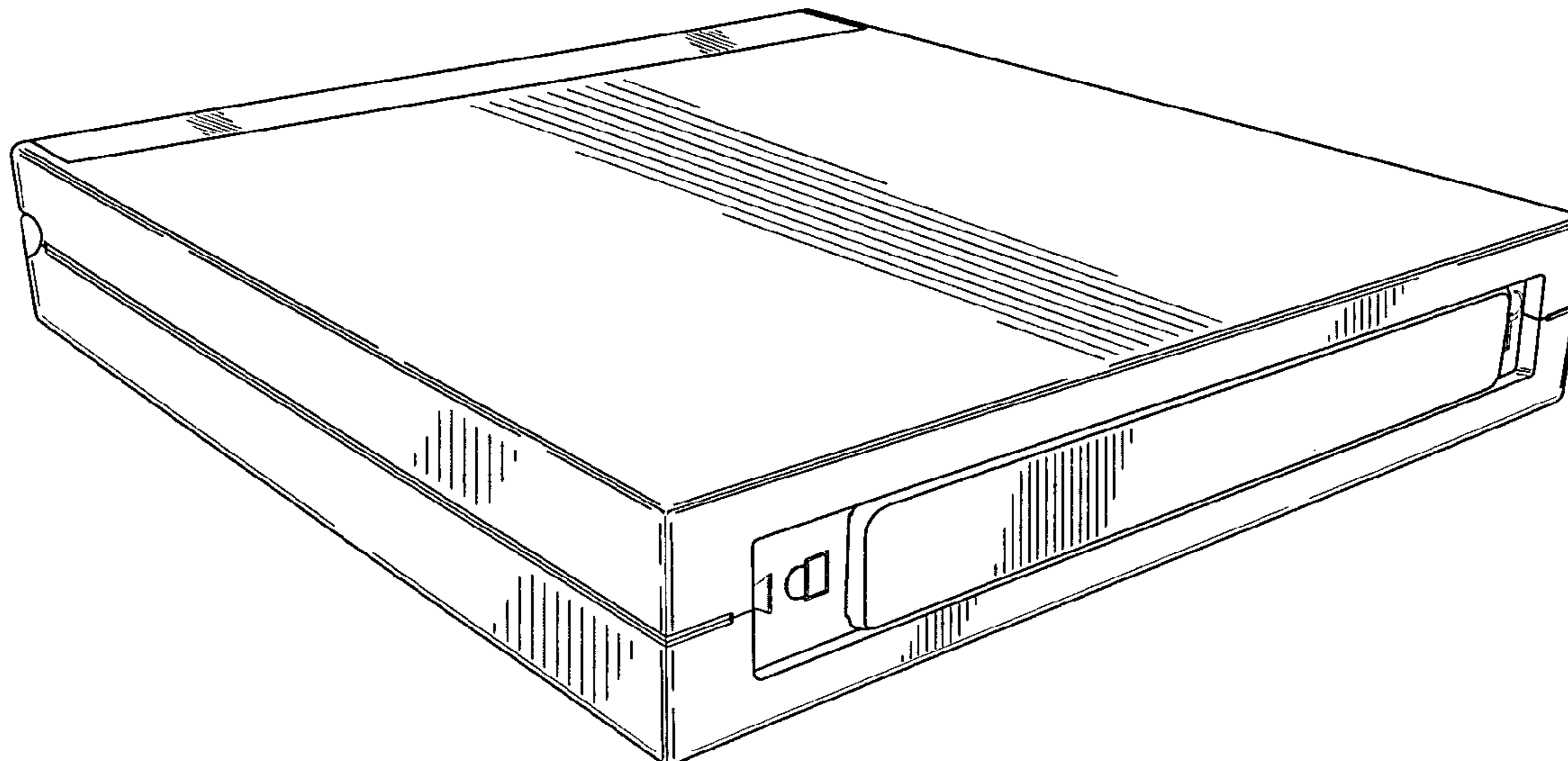
FIG. 3 is a front view thereof;

FIG. 4 is a left side view thereof;

FIG. 5 is a right side view thereof; and,

FIG. 6 is a top plan view thereof.

1 Claim, 4 Drawing Sheets



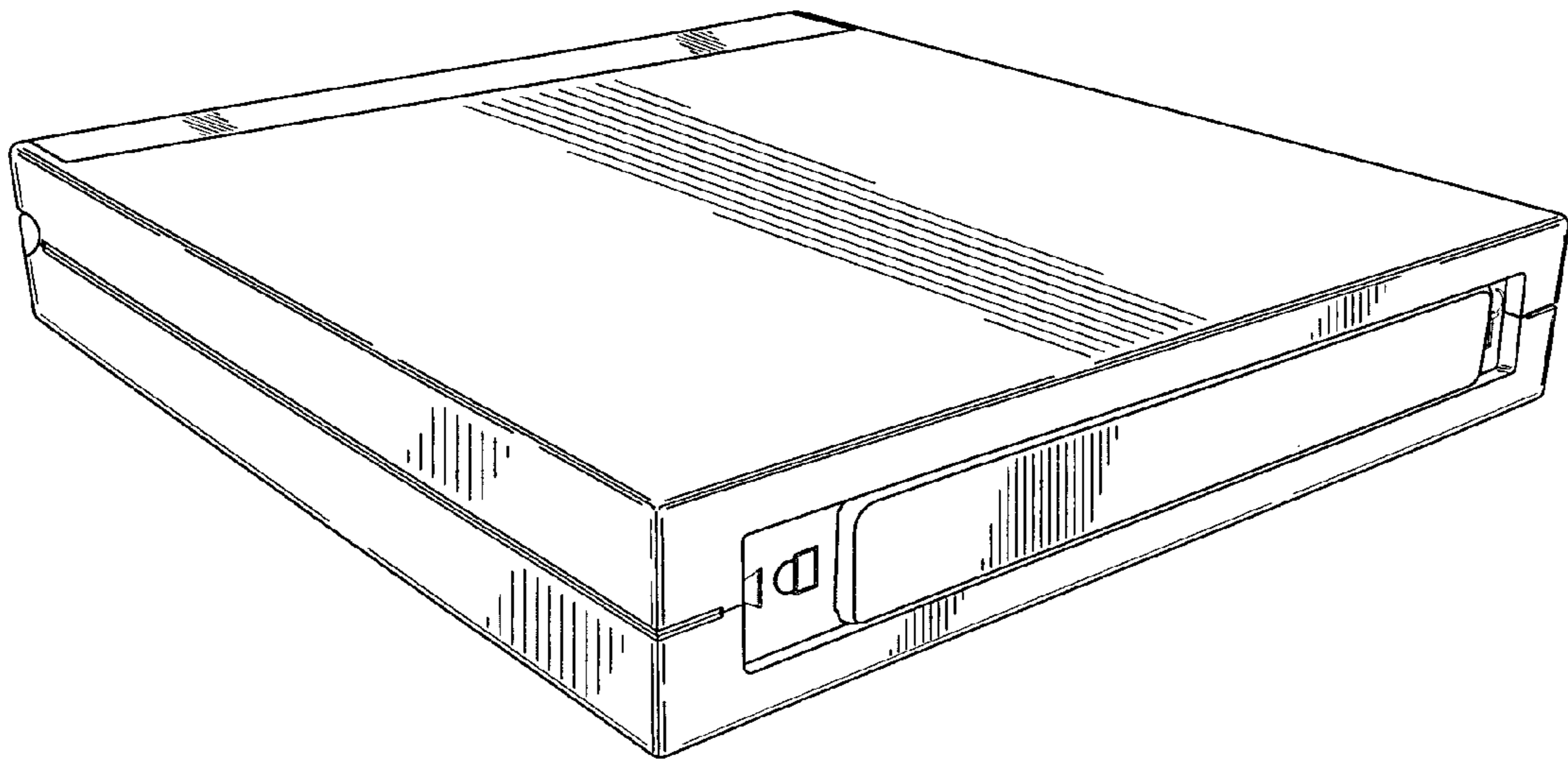


FIG. 1

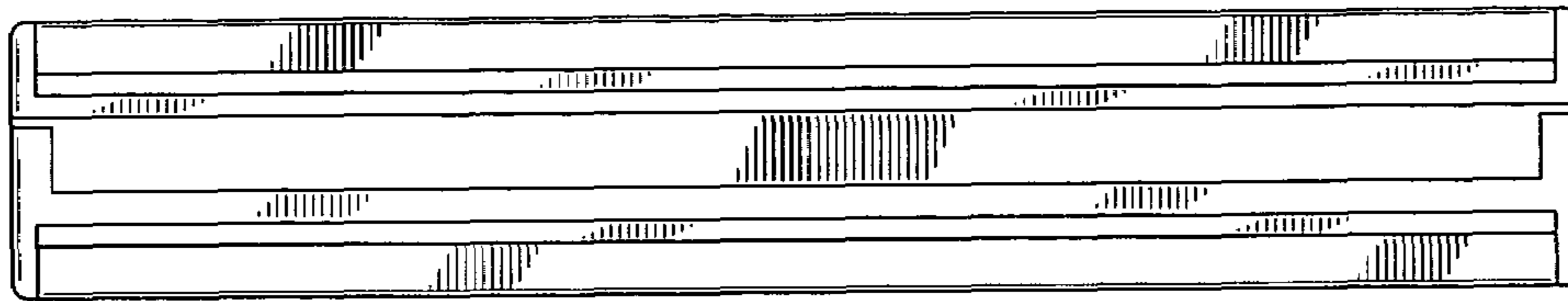


FIG. 2

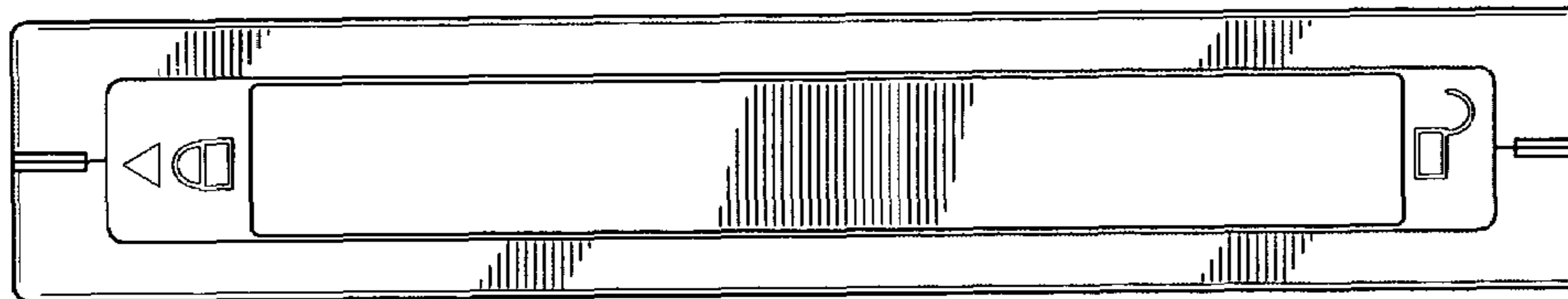


FIG. 3

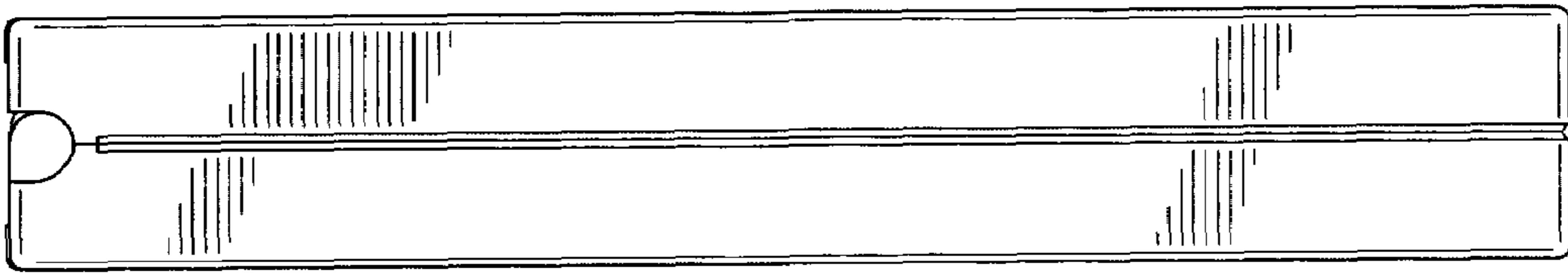


FIG. 4

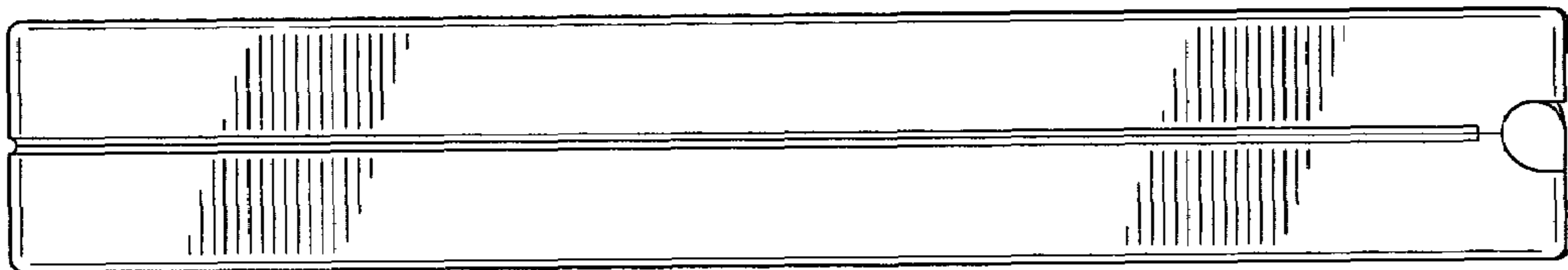


FIG. 5

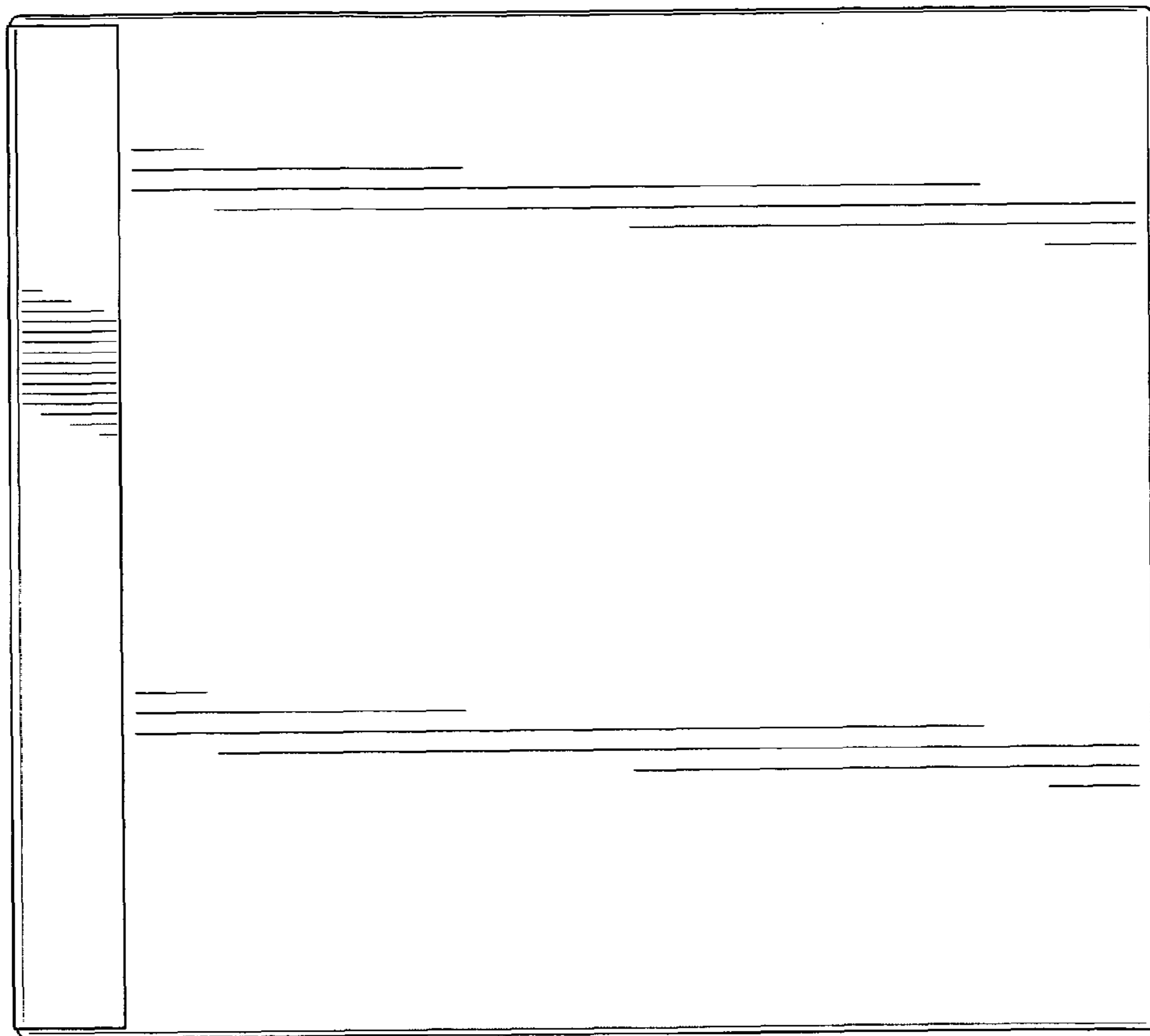


FIG. 6