



US00D575076S

(12) **United States Design Patent**
Bacon et al.

(10) **Patent No.:** **US D575,076 S**
(45) **Date of Patent:** **** Aug. 19, 2008**

(54) **SLEIGH BED**

(75) Inventors: **Craig C. Bacon**, Trempealeau, WI (US);
Phillip M. Hoff, Trempealeau, WI (US);
Harry Janke, Trempealeau, WI (US)

(73) Assignee: **Ashley Furniture Industries, Inc.**,
Arcadia, WI (US)

(**) Term: **14 Years**

(21) Appl. No.: **29/273,916**

(22) Filed: **Mar. 16, 2007**

(51) **LOC (8) Cl.** **06-01**

(52) **U.S. Cl.** **D6/393**

(58) **Field of Classification Search** D6/382,
D6/392-395, 505-508; 5/53.1, 907, 279.1,
5/280, 281

See application file for complete search history.

(56) **References Cited**

U.S. PATENT DOCUMENTS

| | | | | |
|-----------|-----|---------|-----------------|---------|
| 3,116,569 | A * | 1/1964 | Kramer | 29/91.1 |
| 3,351,960 | A | 11/1967 | Burkholder | |
| D450,472 | S * | 11/2001 | Dordoni | D6/393 |
| D455,909 | S | 4/2002 | Wistehuff, Sr. | |
| D488,317 | S | 4/2004 | Wanek et al. | |
| D505,563 | S * | 5/2005 | Hutton | D6/393 |
| D521,768 | S | 5/2006 | Black | |
| D524,074 | S | 7/2006 | Mohundro | |
| D527,926 | S | 9/2006 | Domack et al. | |
| D542,048 | S | 5/2007 | Domack et al. | |
| D542,050 | S | 5/2007 | Domack et al. | |
| D542,566 | S * | 5/2007 | Boerner et al. | D6/393 |
| D543,051 | S * | 5/2007 | Kingsley et al. | D6/393 |

OTHER PUBLICATIONS

“Sutters Grove” B455, Disco 9/00, Ashley Furniture Industries, Inc.,
www.ashleyfurniture.com.

“Contours” B474, Disco 11/00, Ashley Furniture Industries, Inc.,
www.ashleyfurniture.com.

#2 Holidays sale ad, unknown photograph, 2005.

#4 Las Vegas Jul. 2005 DSC00044.JPG, unknown photograph.

#5 DSC00001.JPG printed by Graphic Workshop, unknown photo-
graph, prior to Mar. 16, 2007.

#6 California Dec. 2005 DSC01939.JPG, unknown photograph,
prior to Mar. 16, 2007.

* cited by examiner

Primary Examiner—Janice E. Seeger

(74) *Attorney, Agent, or Firm*—Patterson, Thuente, Skaar &
Christensen, P.A.

(57) **CLAIM**

The ornamental design for a sleigh bed, as shown and
described.

DESCRIPTION

FIG. 1 is a side perspective view of a sleigh bed according to
an embodiment of the invention.

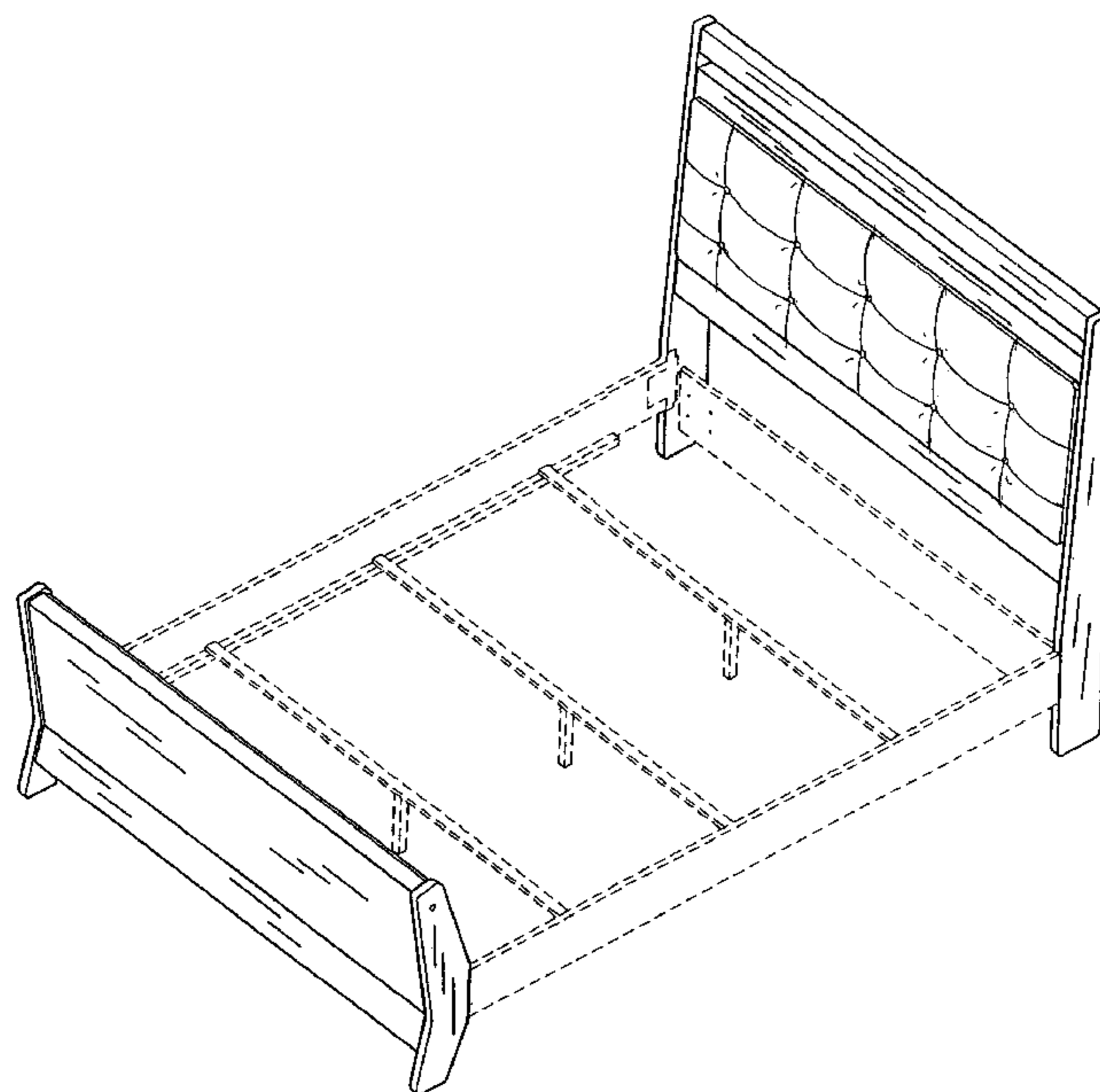
FIG. 2 is a top plan view of a sleigh bed according to an
embodiment of the invention.

FIG. 3 is a front elevational view of the headboard of a sleigh
bed according to an embodiment of the invention; and,

FIG. 4 is a side elevational view of a sleigh bed according to
an embodiment of the invention. The opposite side is a mirror
image thereof.

The broken lines are for environmental purposes only and
form no part of the claimed design. The headboard in FIG. 3
is shown separately for convenience of illustration.

1 Claim, 3 Drawing Sheets



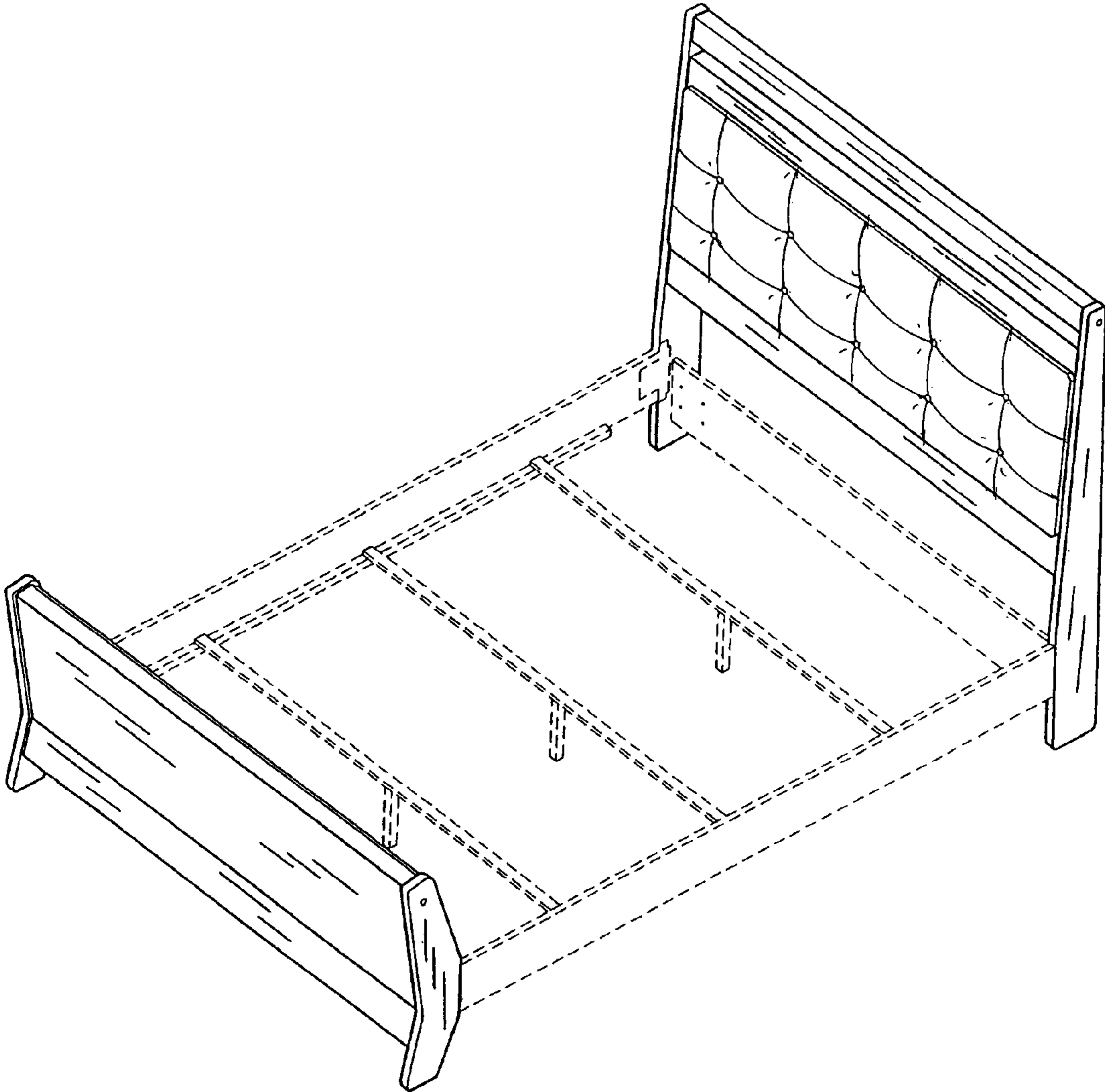


Figure 1

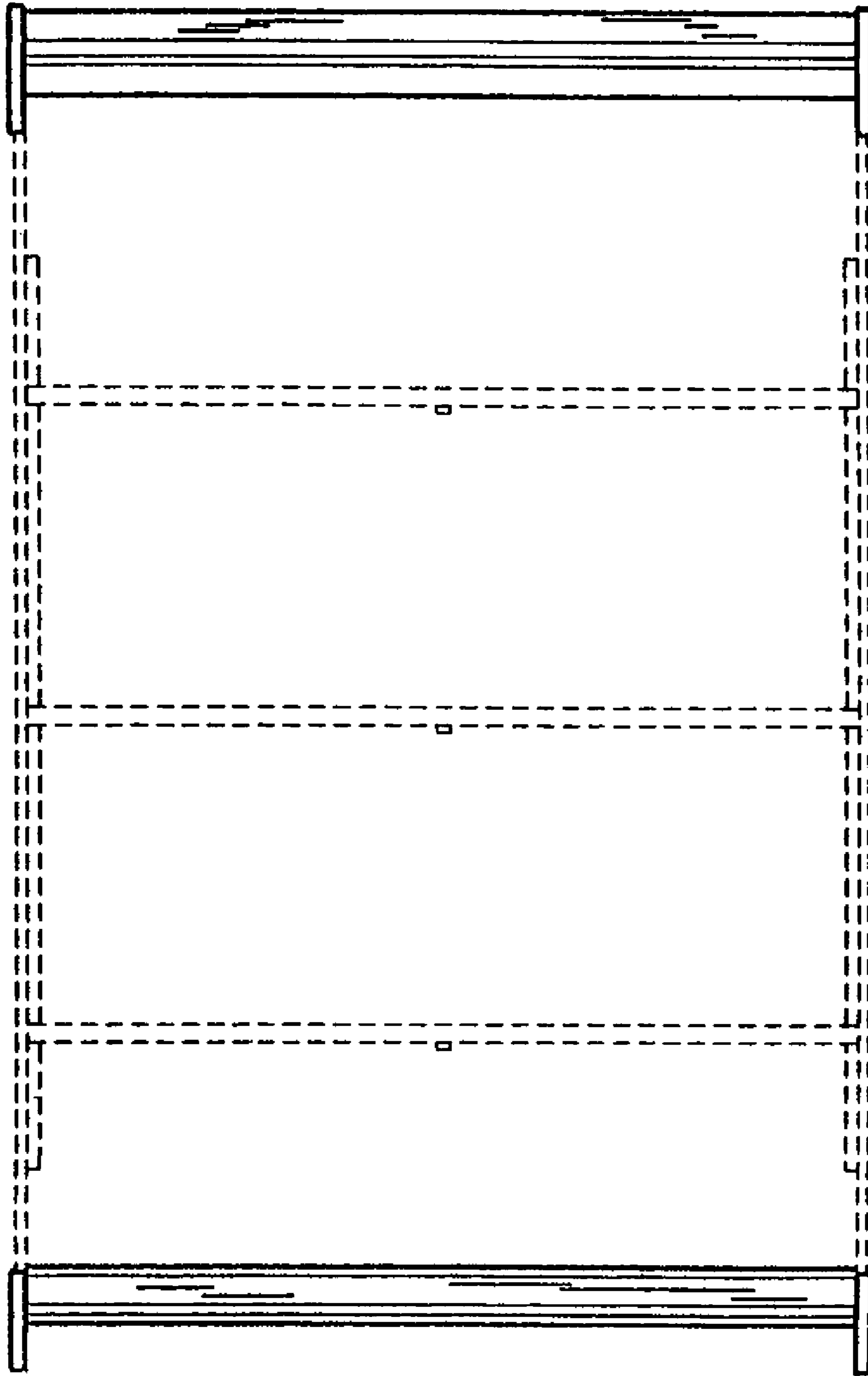


Figure 2

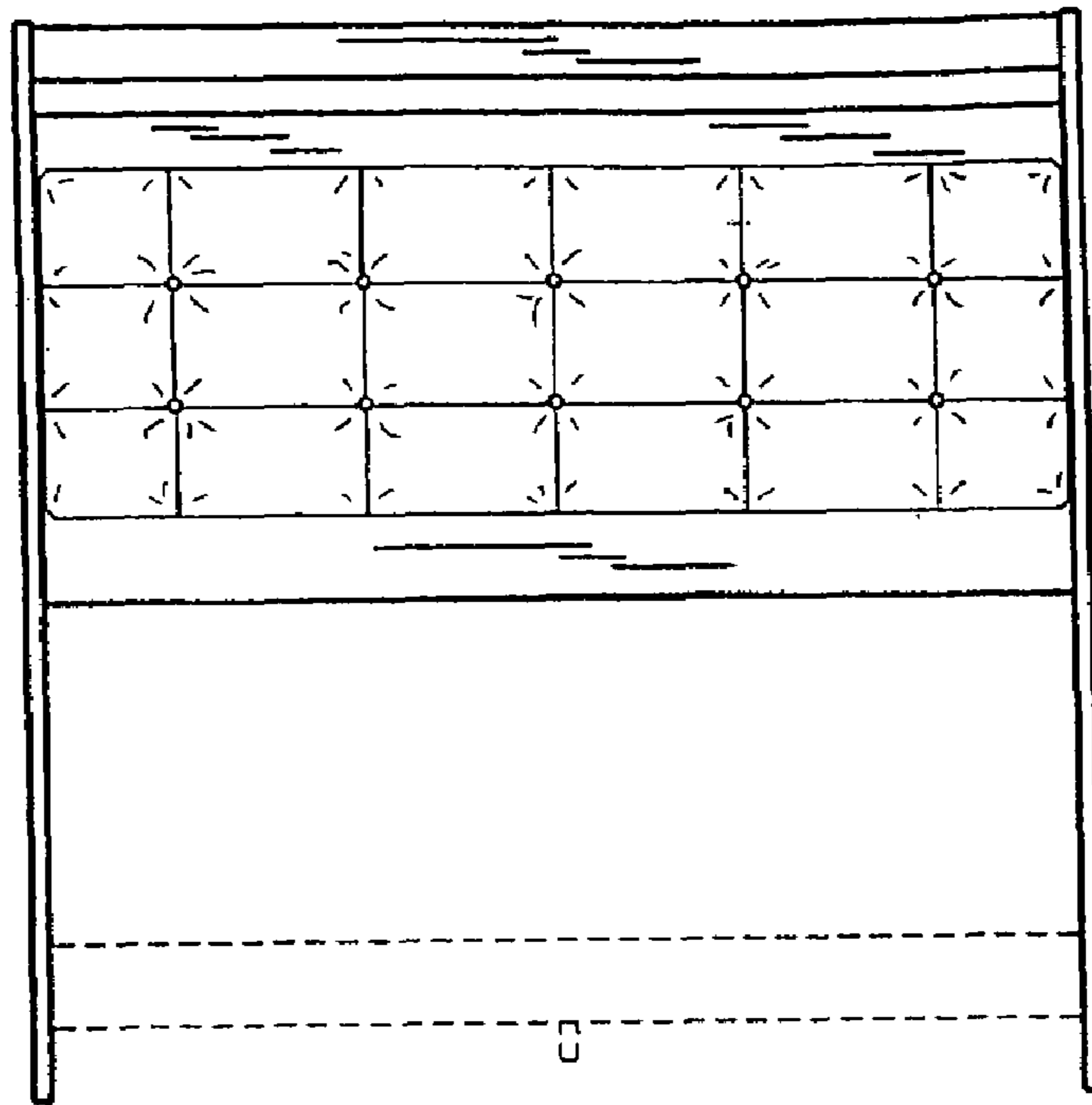


Figure 3

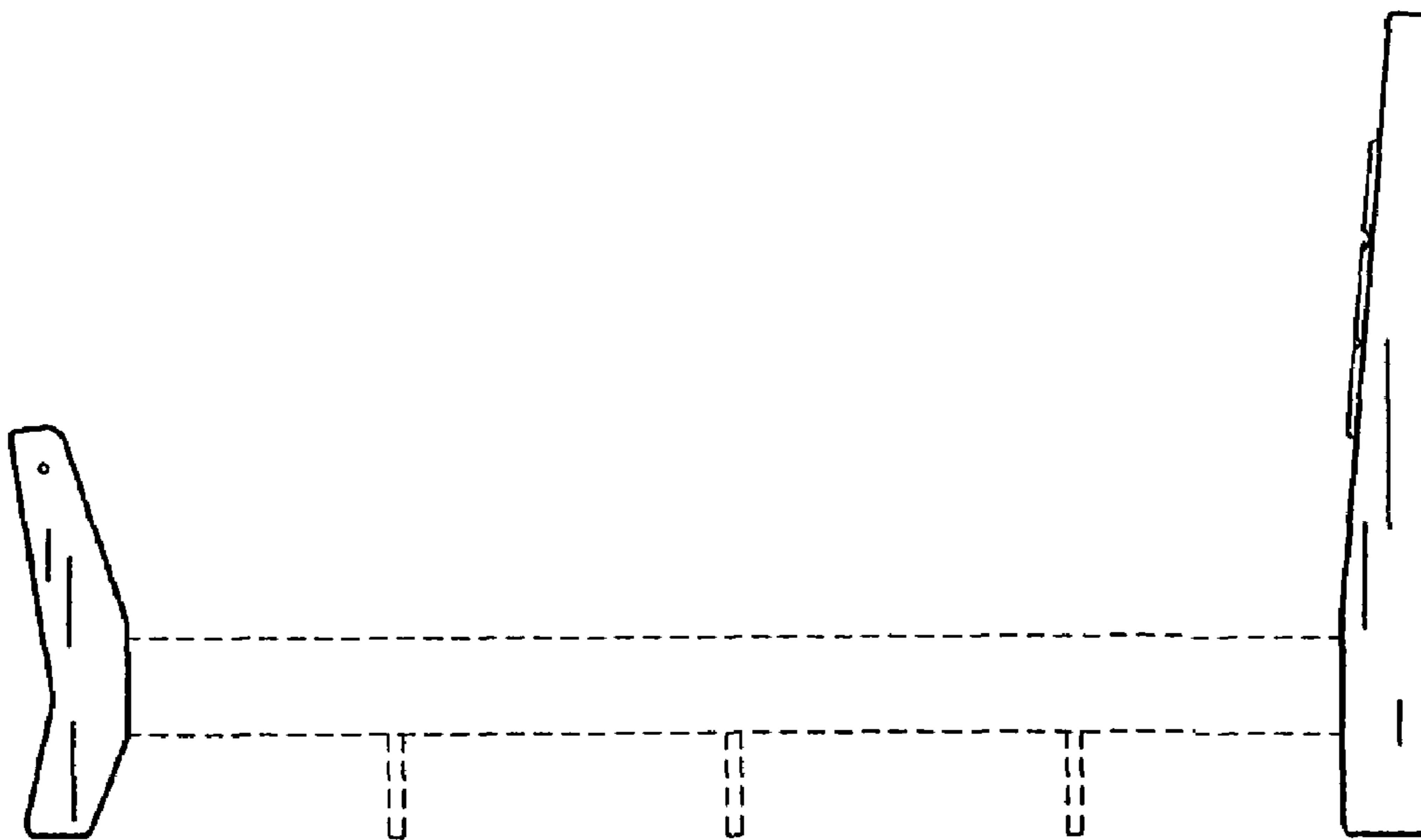


Figure 4