



US00D575074S

(12) **United States Design Patent**  
**Schmitt**

(10) **Patent No.:** **US D575,074 S**

(45) **Date of Patent:** **\*\* Aug. 19, 2008**

(54) **SOFA**

(75) Inventor: **Jack Schmitt**, San Juan Capistrano, CA  
(US)

(73) Assignee: **Amini Innovation Corp.**, Pico Rivera,  
CA (US)

(\*\*) Term: **14 Years**

(21) Appl. No.: **29/294,736**

(22) Filed: **Jan. 25, 2008**

(51) **LOC (8) Cl.** ..... **06-01**

(52) **U.S. Cl.** ..... **D6/381**

(58) **Field of Classification Search** ..... D6/334,  
D6/349, 355, 357, 367, 368, 370, 374-381,  
D6/500-502; 297/175, 232, 233, 283.2,  
297/283.3, 445.1, 448.1, 452.12, 452.38,  
297/452.48, 461, 462; 5/12.1, 12.2  
See application file for complete search history.

(56) **References Cited**

**U.S. PATENT DOCUMENTS**

1,273,968	A	*	7/1918	Whedon	.....	297/440.15
D78,078	S	*	3/1929	Bauer	.....	D6/381
D86,071	S	*	1/1932	Anderson	.....	D6/381
D86,555	S	*	3/1932	Anderson	.....	D6/381
D86,819	S	*	4/1932	Anderson	.....	D6/381
D97,251	S	*	10/1935	Berth	.....	D6/381
D440,067	S	*	4/2001	Corella	.....	D6/381
D455,023	S	*	4/2002	Lee	.....	D6/381

D459,607	S	*	7/2002	Gibson	.....	D6/381
D487,850	S	*	3/2004	Adair et al.	.....	D6/381
D509,374	S	*	9/2005	Adair et al.	.....	D6/381
D543,049	S	*	5/2007	Gibson	.....	D6/381
D564,776	S	*	3/2008	Adair et al.	.....	D6/381
D565,860	S	*	4/2008	Lamb et al.	.....	D6/381
D566,415	S	*	4/2008	Adair et al.	.....	D6/381
D567,532	S	*	4/2008	Lamb et al.	.....	D6/381
D569,125	S	*	5/2008	Lamb et al.	.....	D6/381

\* cited by examiner

*Primary Examiner*—Sandra Snapp

(74) *Attorney, Agent, or Firm*—Cislo & Thomas, LLP

(57) **CLAIM**

The ornamental design for a sofa, as shown and described.

**DESCRIPTION**

FIG. 1 is a perspective view of my sofa;

FIG. 2 is a front view thereof;

FIG. 3 is a right side view thereof;

FIG. 4 is a left side view thereof;

FIG. 5 is a top view thereof;

FIG. 6 is a rear view thereof; and,

FIG. 7 is a close-up front view of the ornament at the top center portion of my sofa.

The broken lines shown in the drawings are for environmental purposes only and form no part of the claimed design.

**1 Claim, 7 Drawing Sheets**

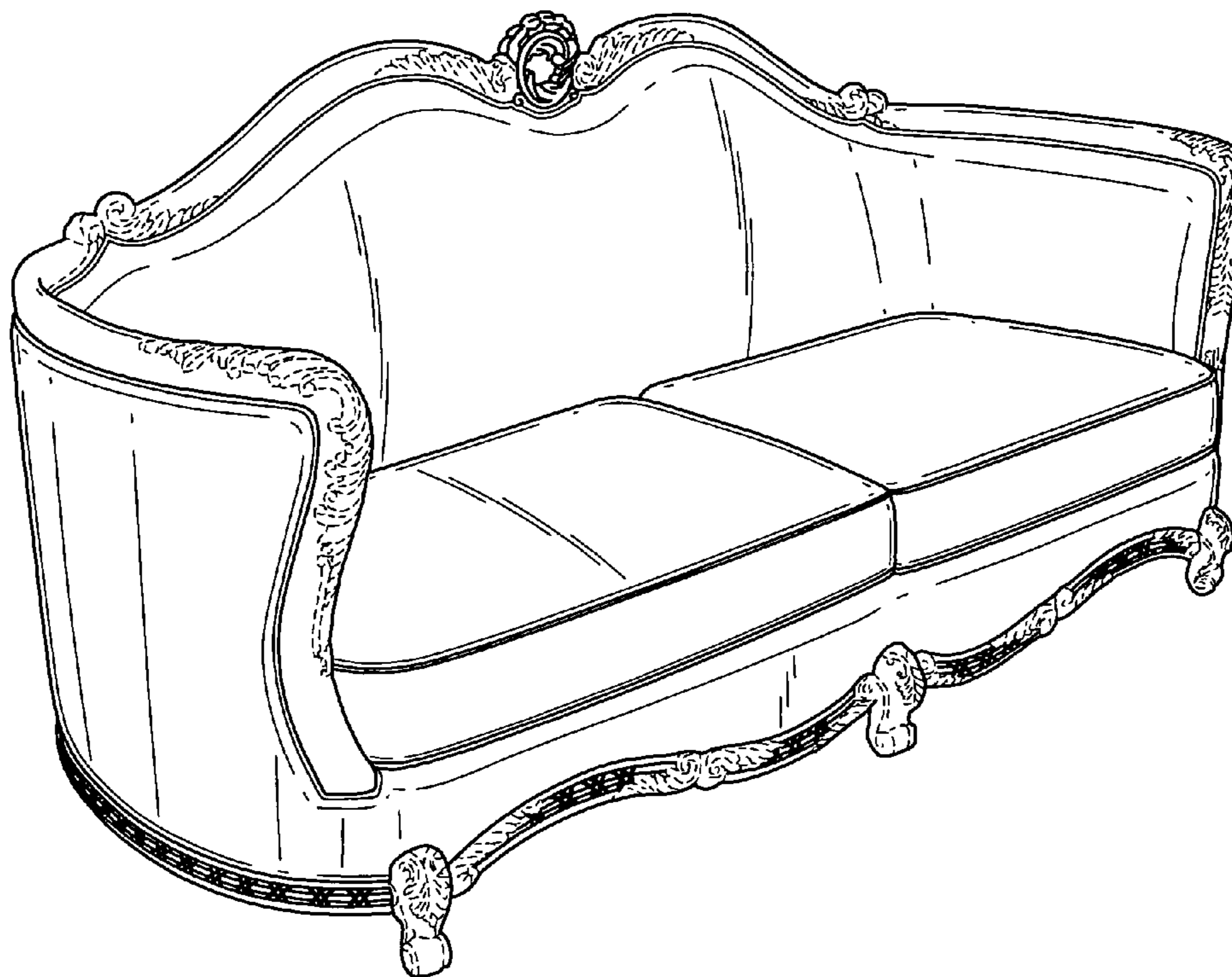


FIG. 1

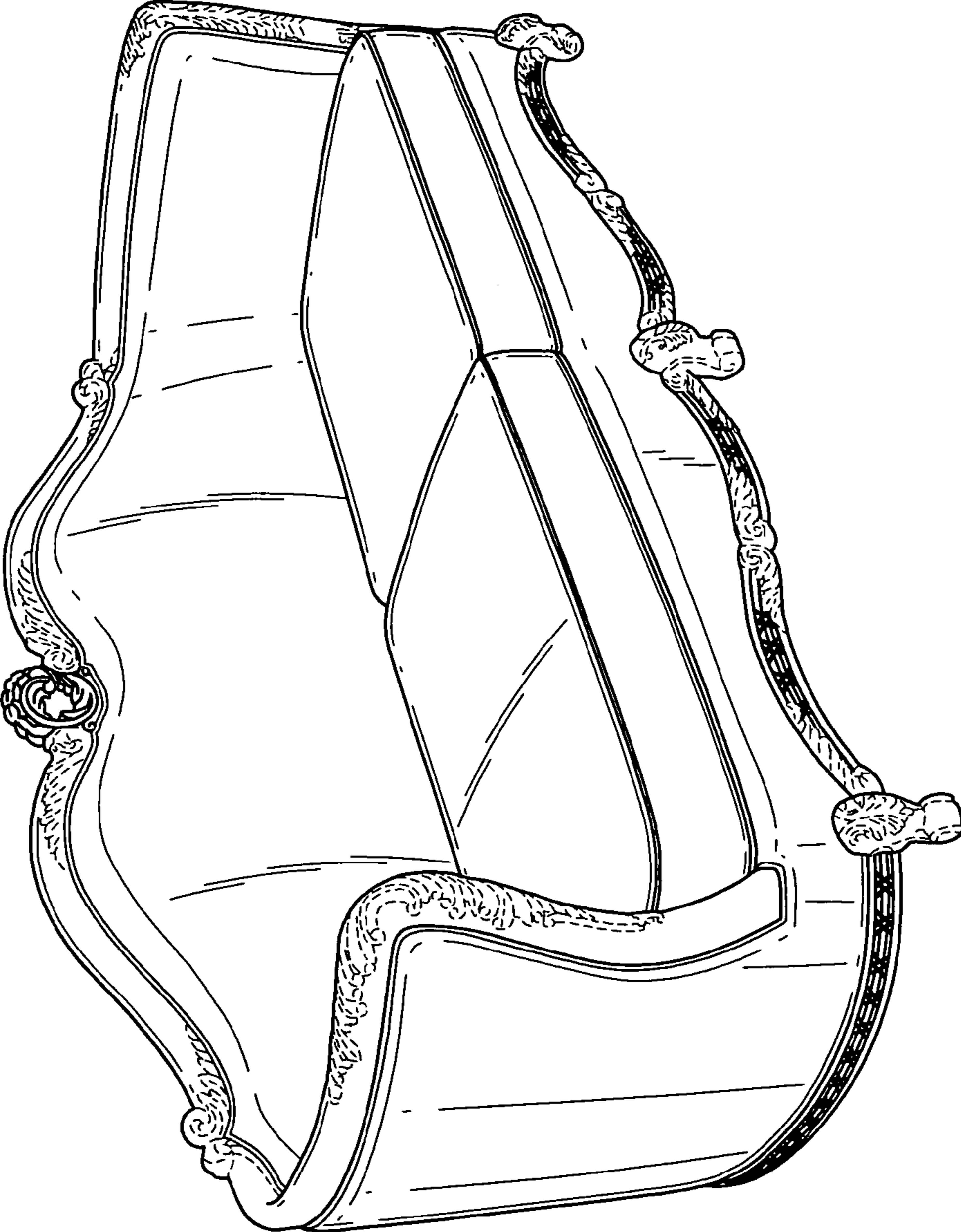


FIG. 2

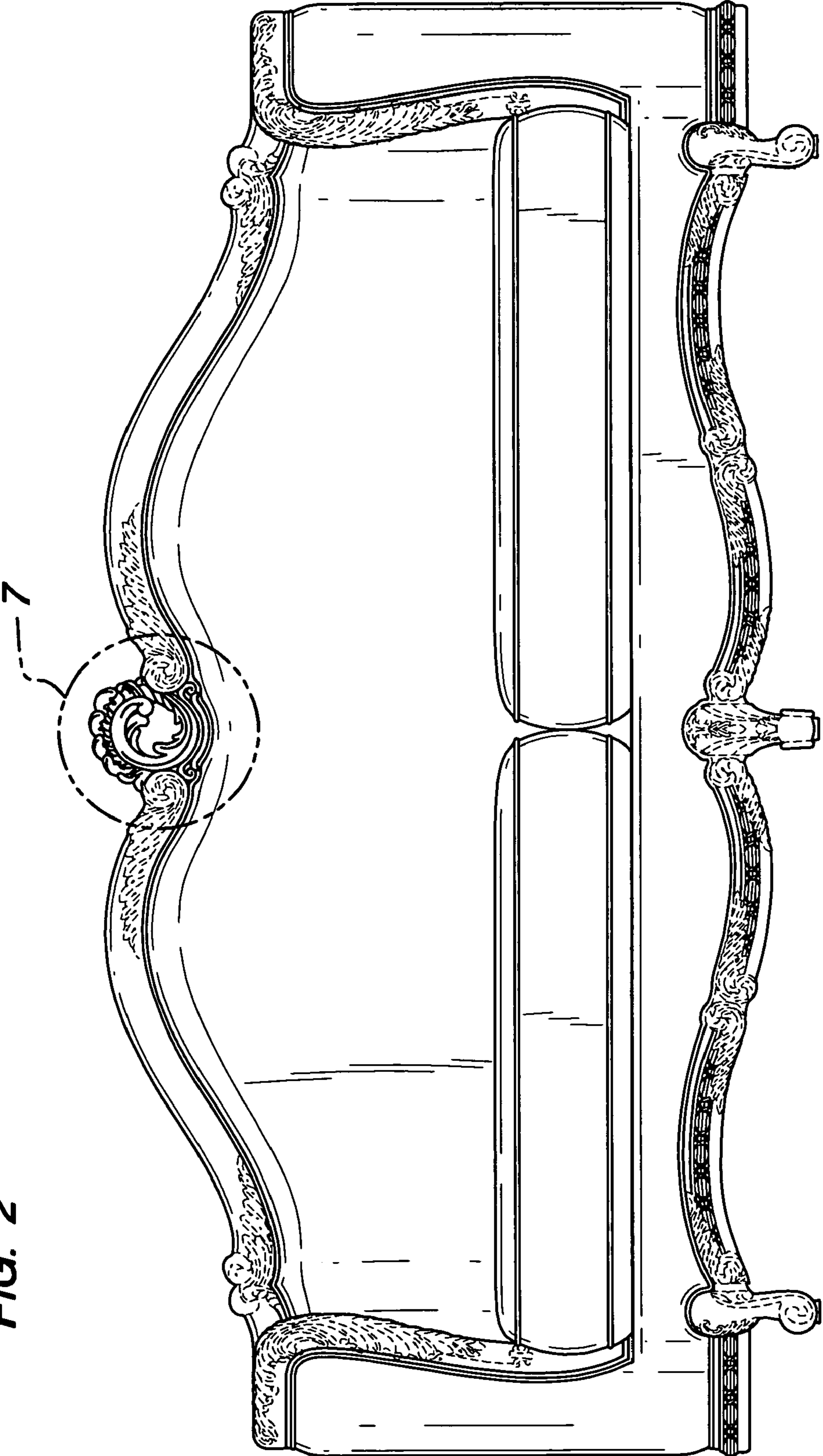
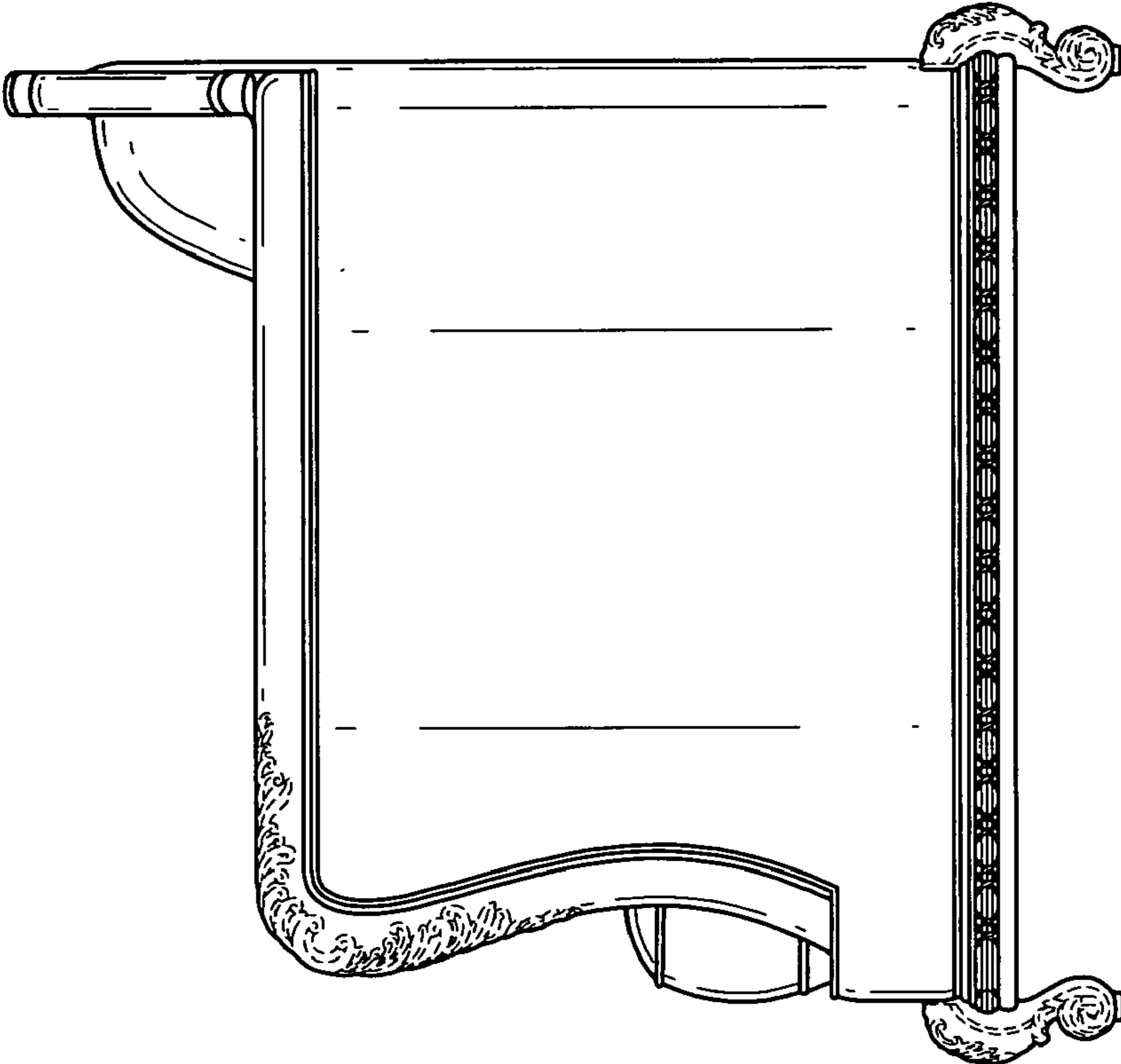


FIG. 3



**FIG. 4**

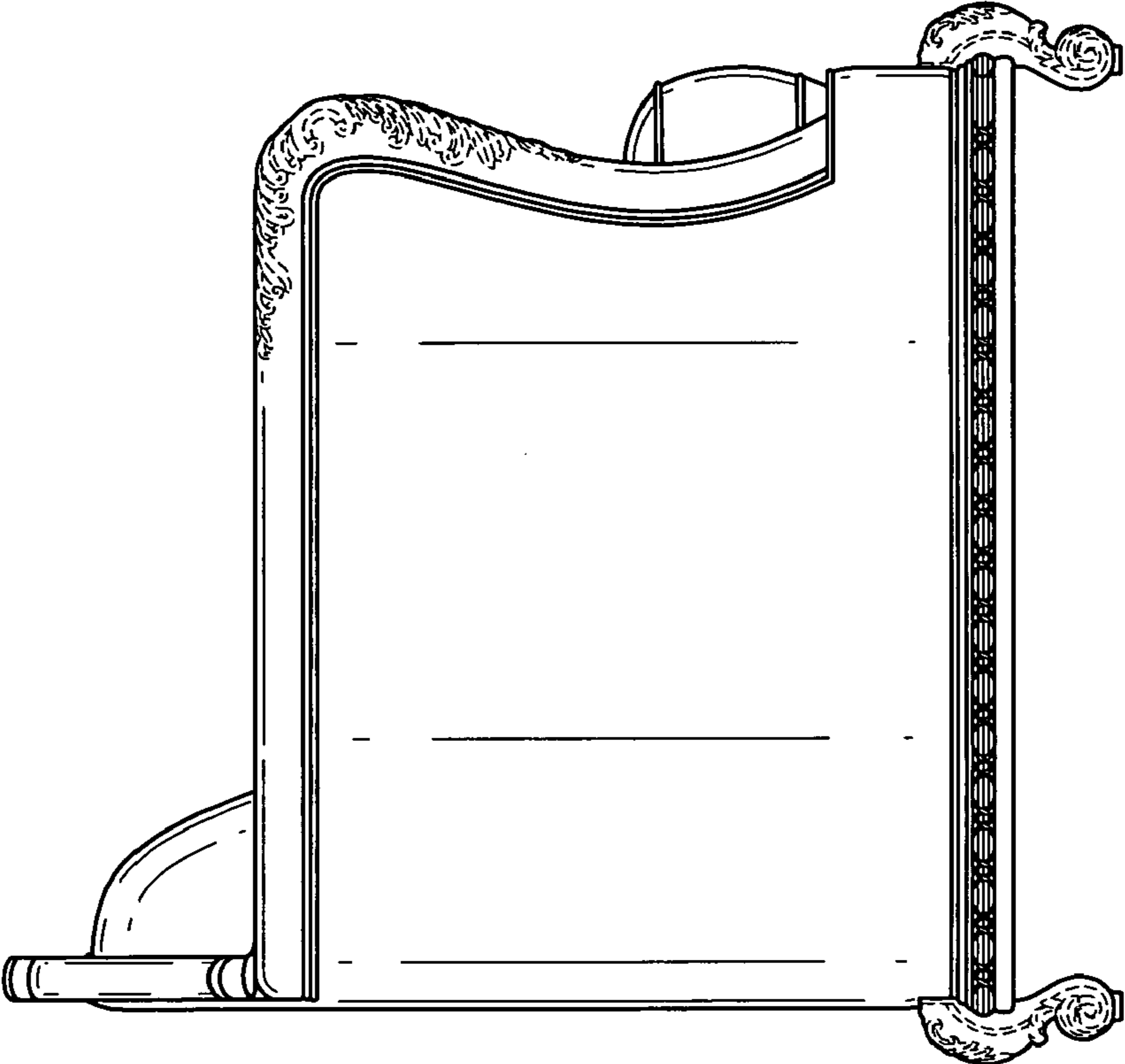
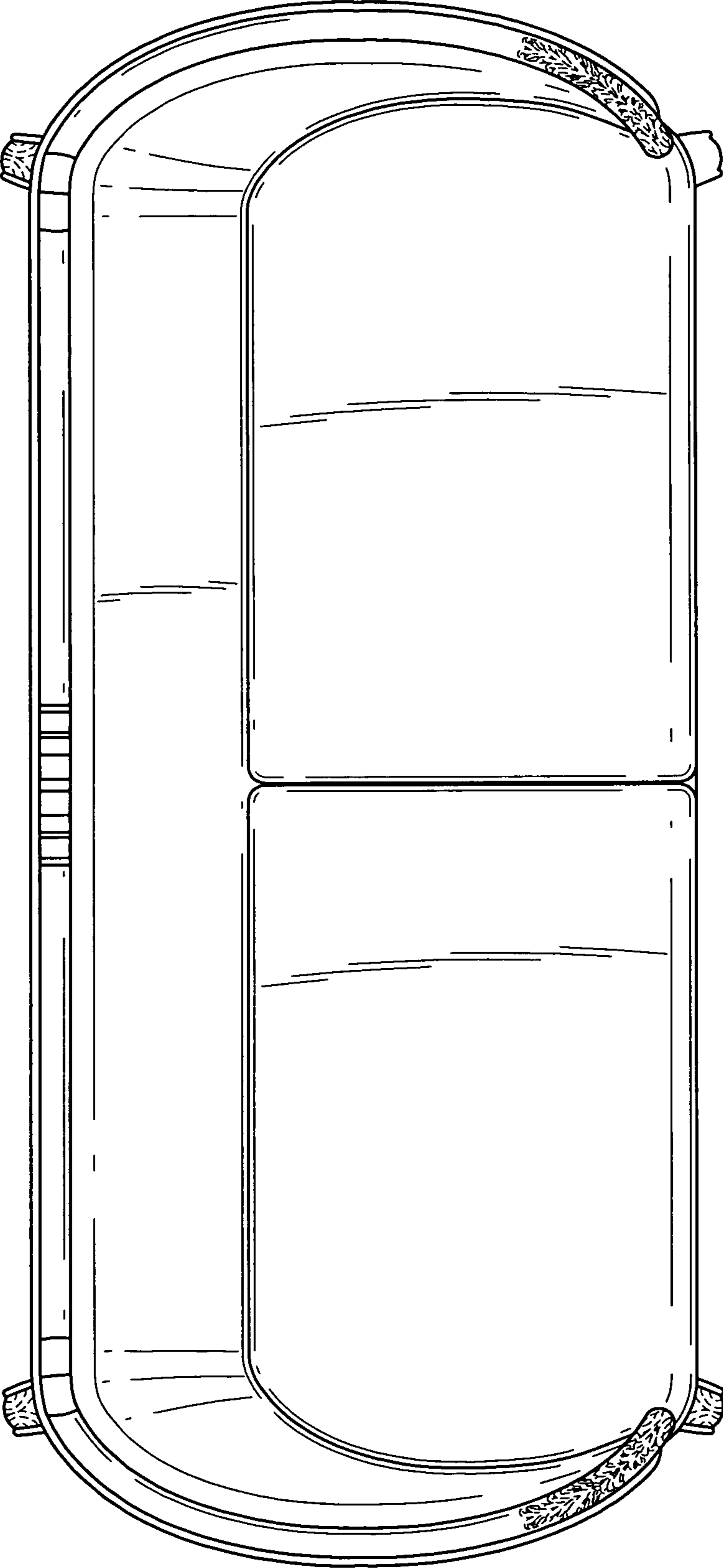


FIG. 5



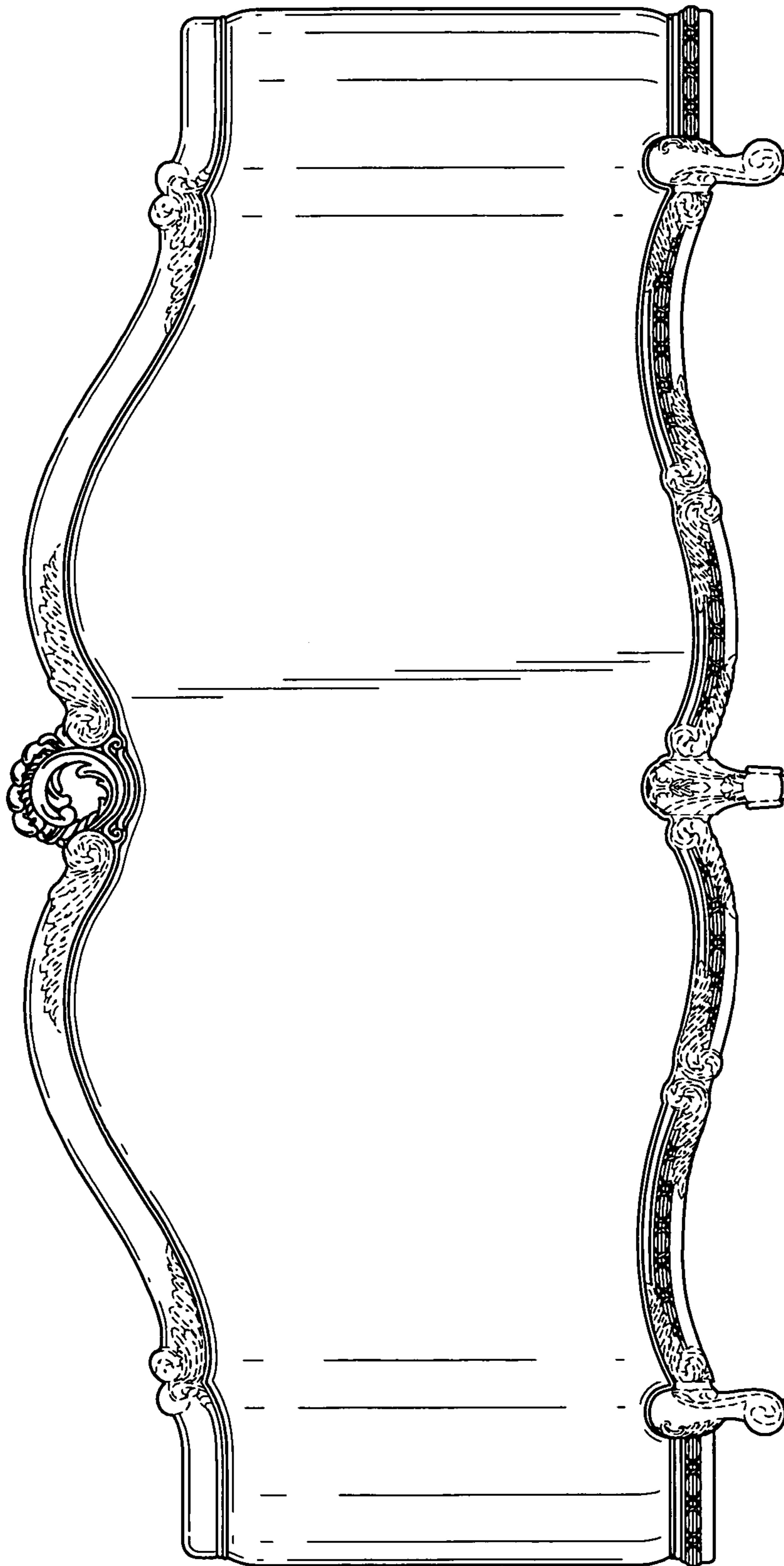


FIG. 6

***FIG. 7***

