



US00D575071S

(12) **United States Design Patent**  
**Goldberg et al.**

(10) **Patent No.:** **US D575,071 S**  
(45) **Date of Patent:** **\*\* Aug. 19, 2008**

(54) **STOOL WITH BACKREST**

(75) Inventors: **Mark A. Goldberg**, Lido Beach, NY  
(US); **Su-Ming Chen**, Kaohsiung (CN)

(73) Assignee: **Global Equipment Co., Inc.** DE (US)

(\*\*) Term: **14 Years**

(21) Appl. No.: **29/306,721**

(22) Filed: **Apr. 15, 2008**

(51) **LOC (8) Cl.** ..... **06-01**

(52) **U.S. Cl.** ..... **D6/360**

(58) **Field of Classification Search** ..... D6/334-336,  
D6/349, 360, 364, 365, 366, 367, 374, 376,  
D6/379, 380, 500-502; 297/344.12, 344.18,  
297/344.21, 423.38, 445.1, 451.2, 461  
See application file for complete search history.

(56) **References Cited**

**U.S. PATENT DOCUMENTS**

2,659,413	A *	11/1953	Cramer	.....	297/423.38
D190,905	S *	7/1961	Hamilton	.....	D6/335
D195,770	S *	7/1963	Isola	.....	D6/367
D227,953	S *	7/1973	Prizlow	.....	D6/366
D313,896	S *	1/1991	Kaye	.....	D6/365
D381,823	S *	8/1997	Ellsworth et al.	.....	D6/360

D468,926	S *	1/2003	Bongaerts	.....	D6/380
D478,223	S *	8/2003	Luthersson	.....	D6/376
D485,081	S *	1/2004	Bongaerts	.....	D6/360
D530,932	S *	10/2006	Hieshetter	.....	D6/360
2003/0151291	A1 *	8/2003	Lin et al.	.....	297/423.38

\* cited by examiner

*Primary Examiner*—Mimosa De

(74) *Attorney, Agent, or Firm*—Davidoff, Malito & Hutcher, LLP

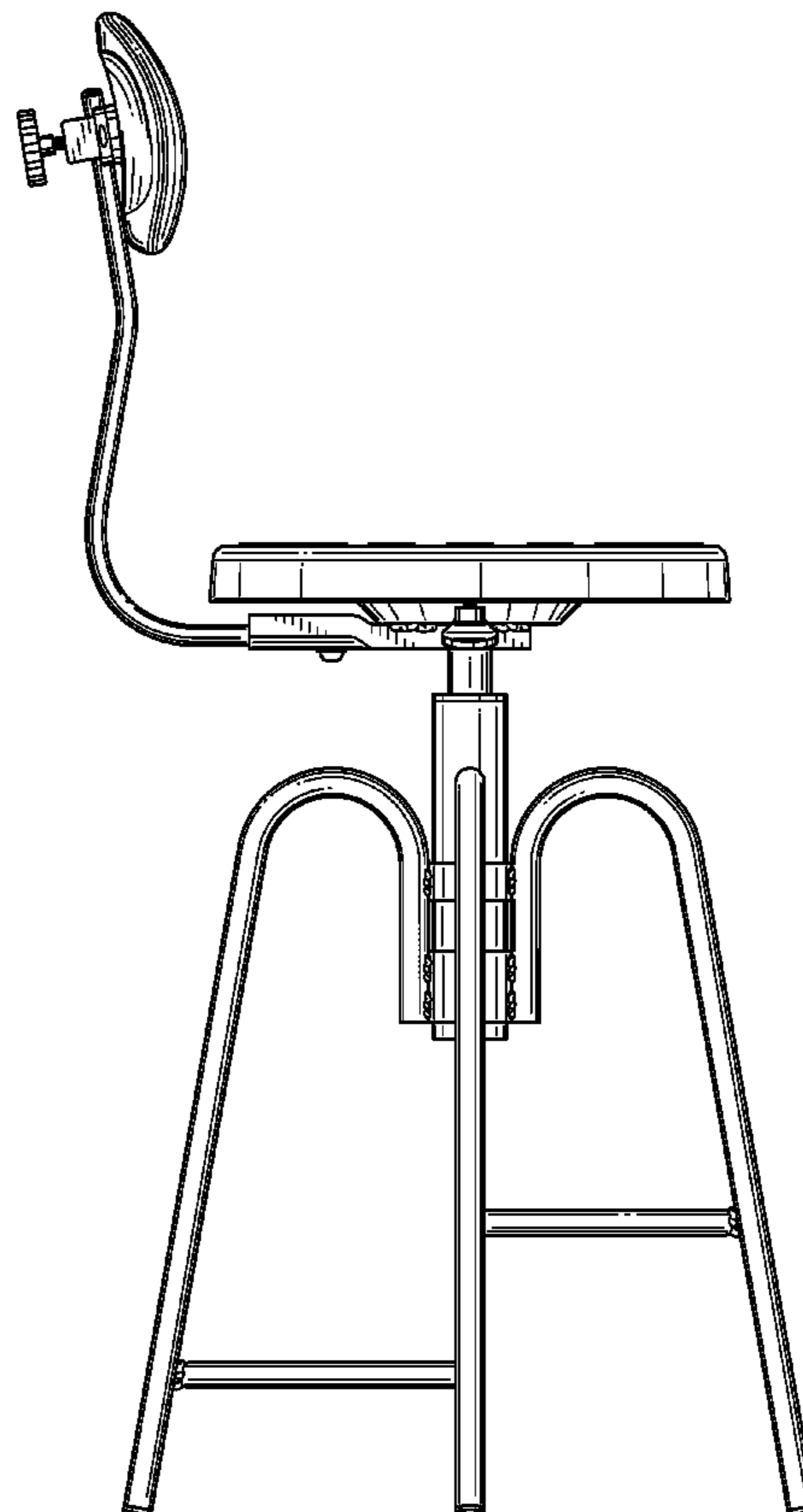
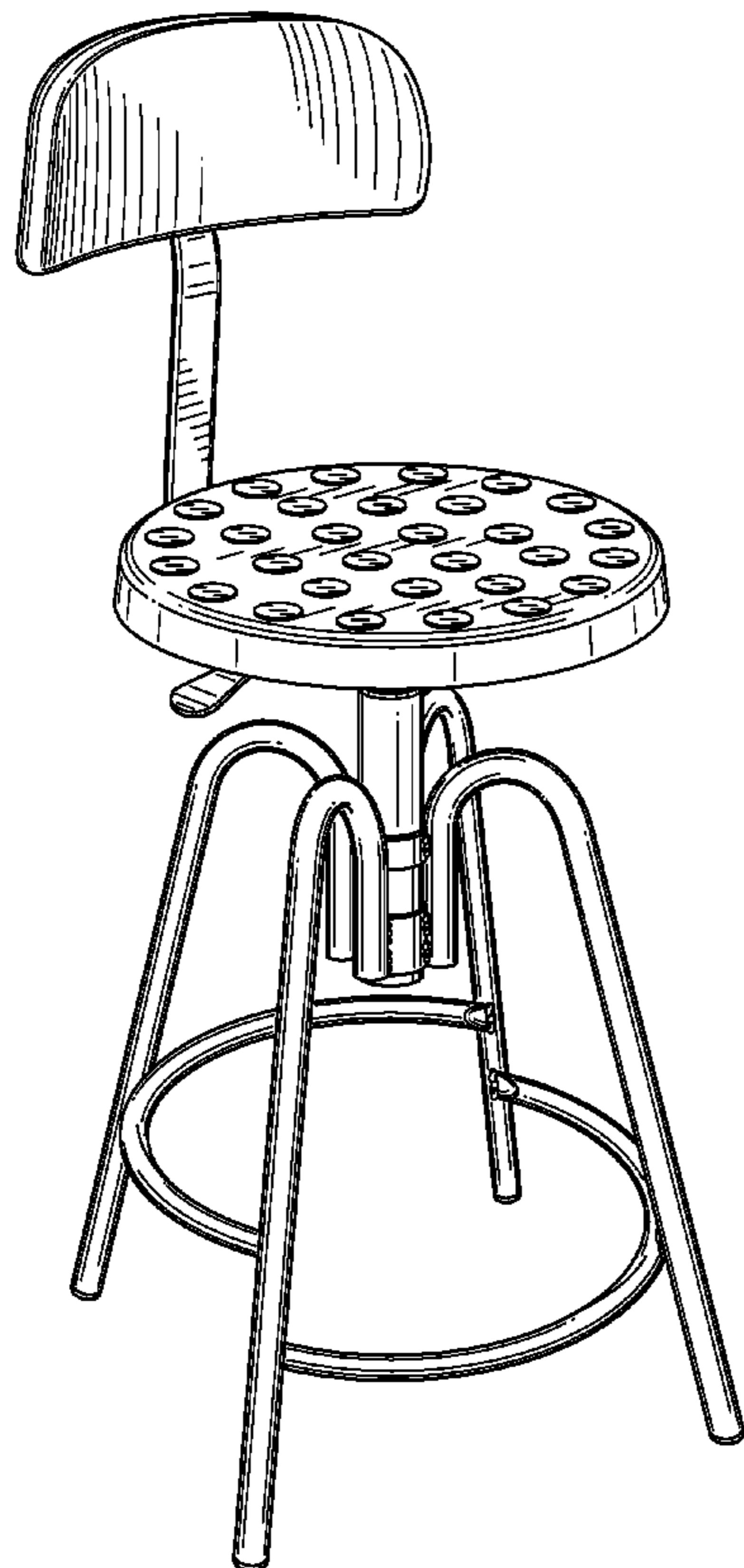
(57) **CLAIM**

The ornamental design for a stool with backrest, as shown and described.

**DESCRIPTION**

FIG. 1 is a perspective view of a stool with backrest in accordance with the present invention;  
FIG. 2 is a left side view thereof;  
FIG. 3 is a rear side view thereof;  
FIG. 4 is a right side view thereof;  
FIG. 5 is a front side view thereof;  
FIG. 6 is a top side view thereof; and,  
FIG. 7 is a bottom side view thereof.

**1 Claim, 6 Drawing Sheets**



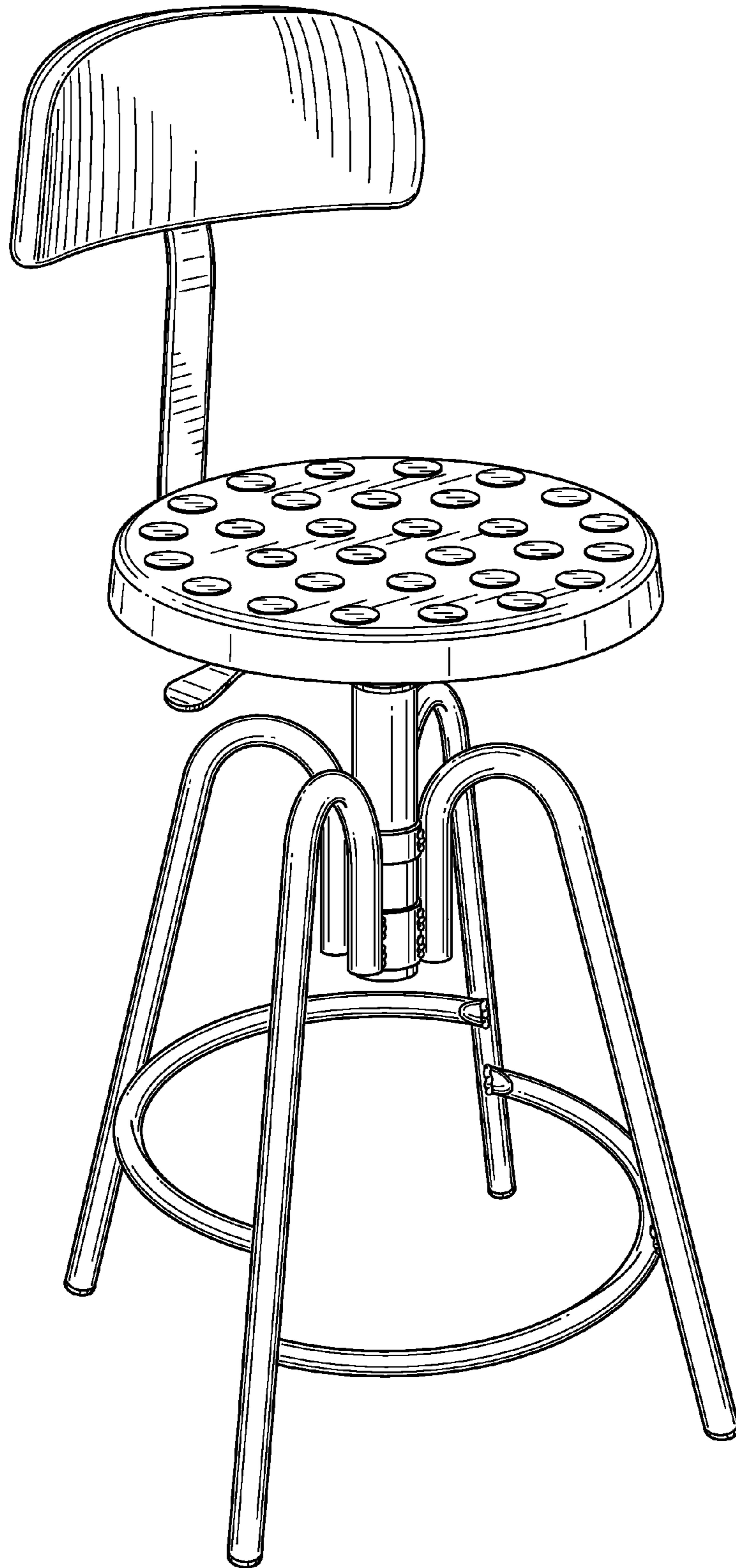


FIG. 1

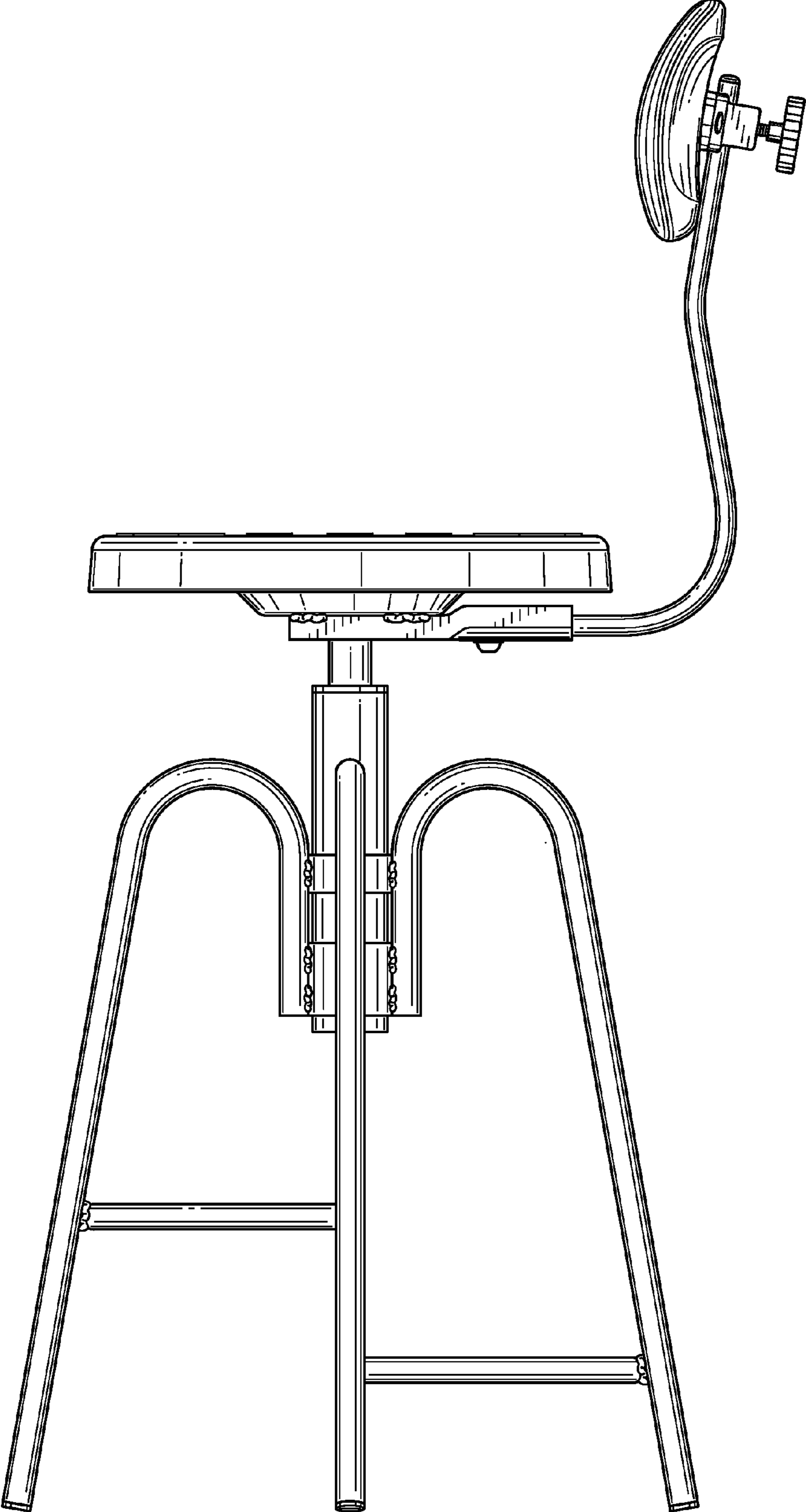


FIG. 2

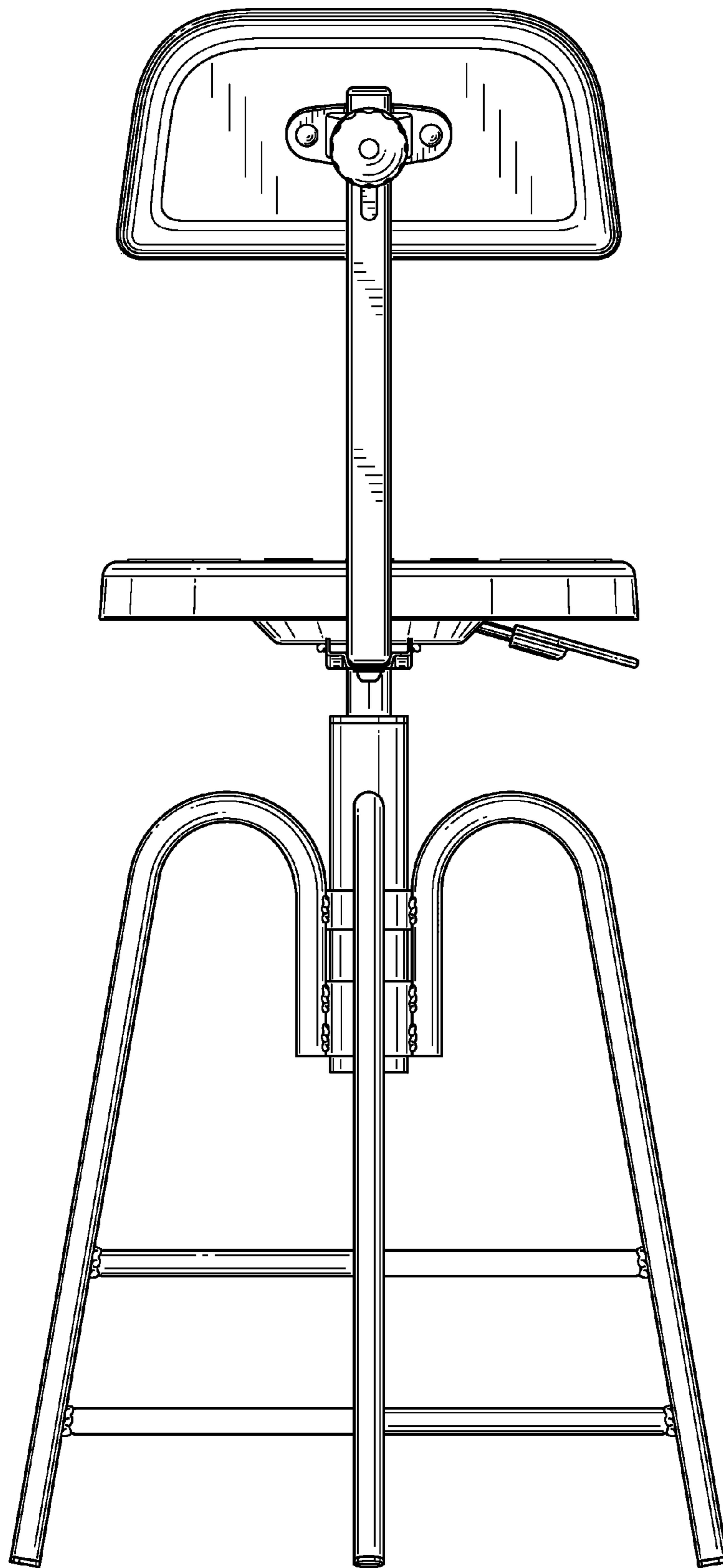


FIG. 3

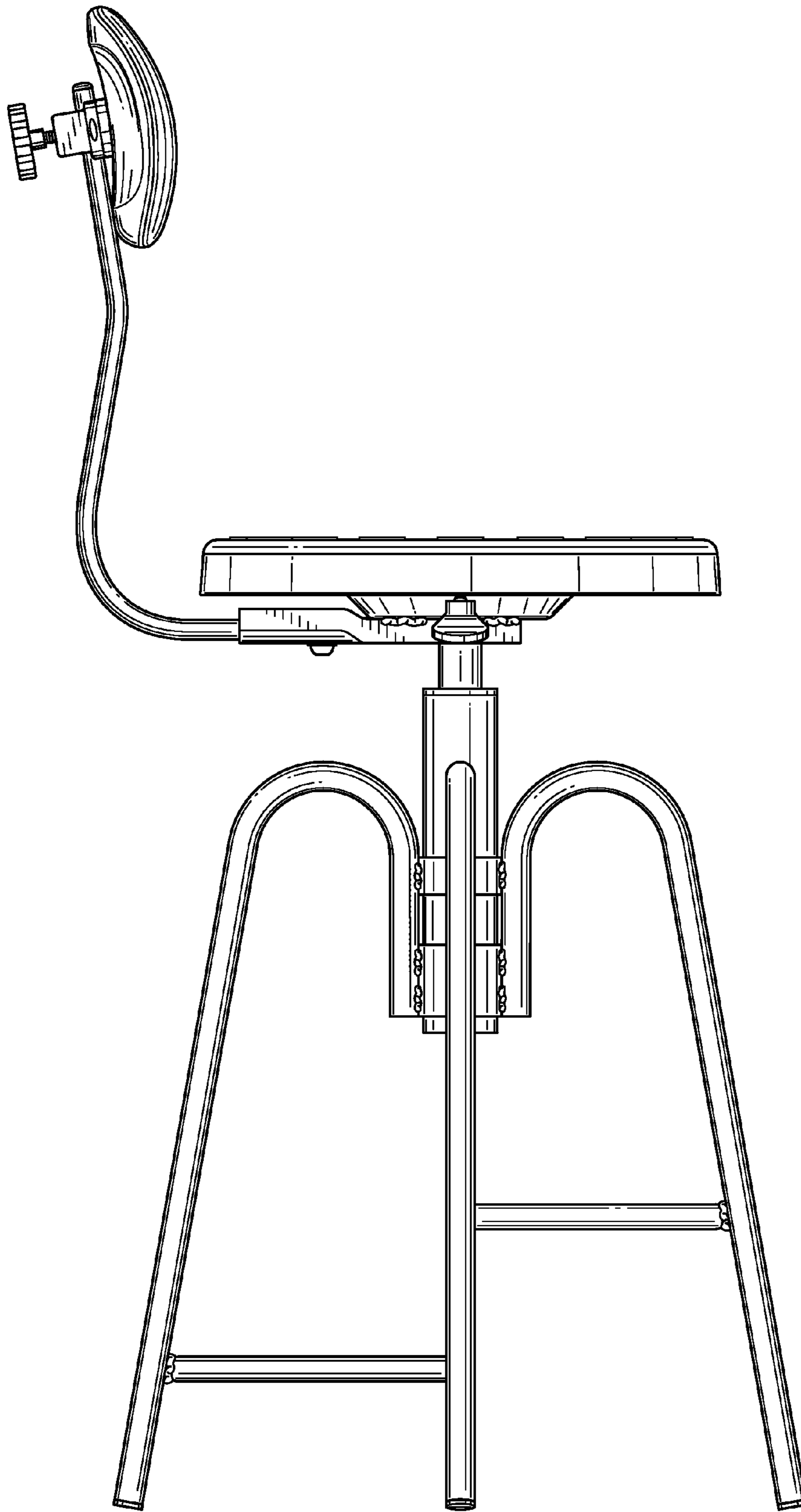


FIG. 4

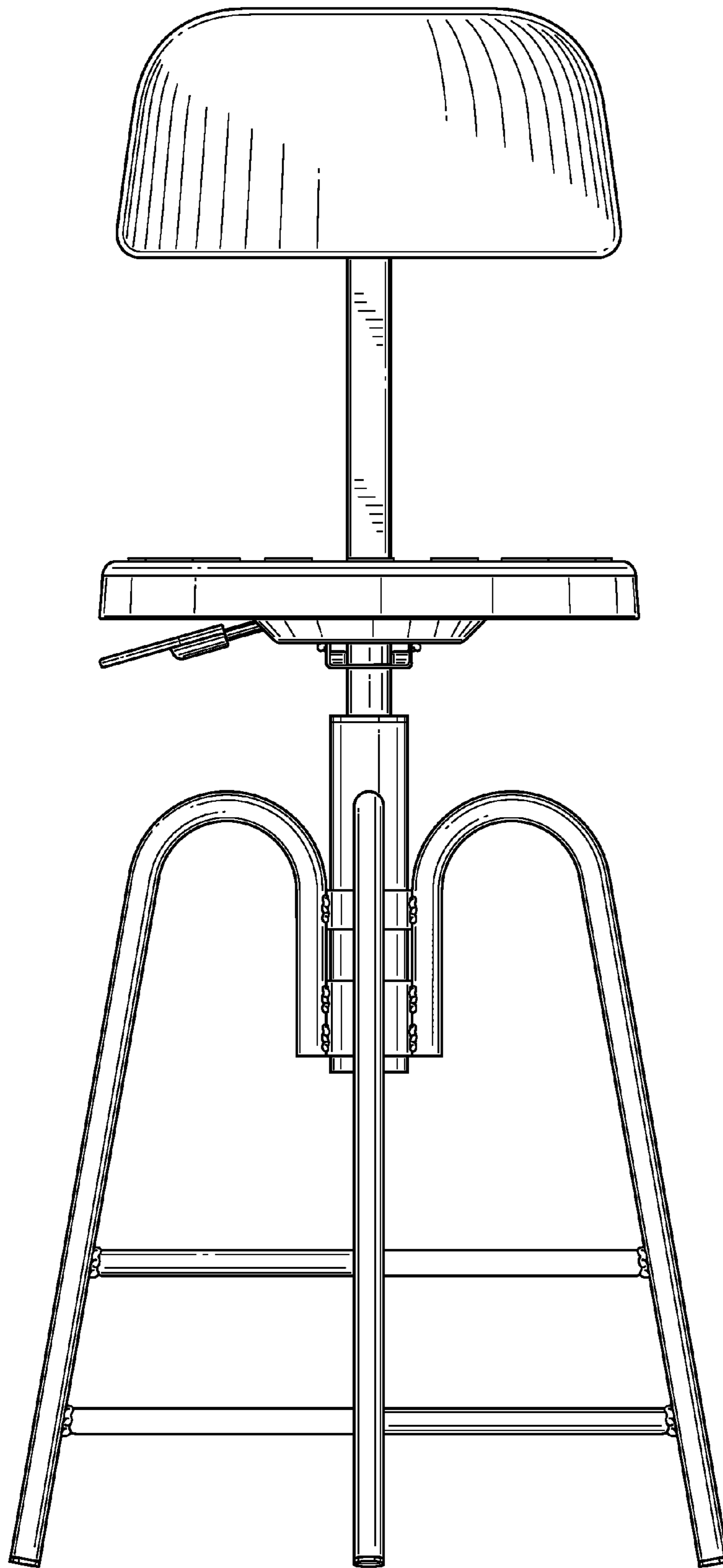


FIG. 5



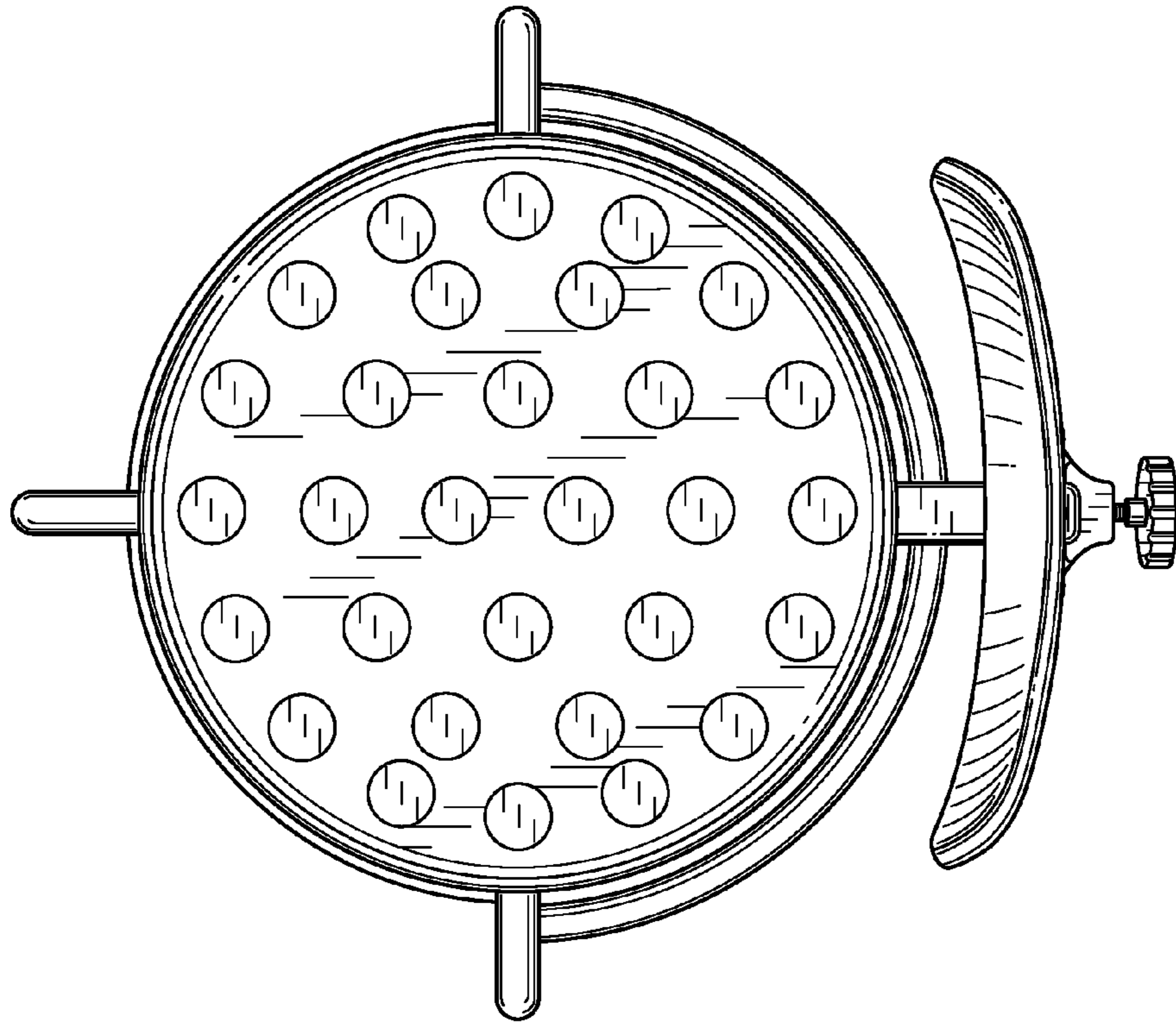


FIG. 6

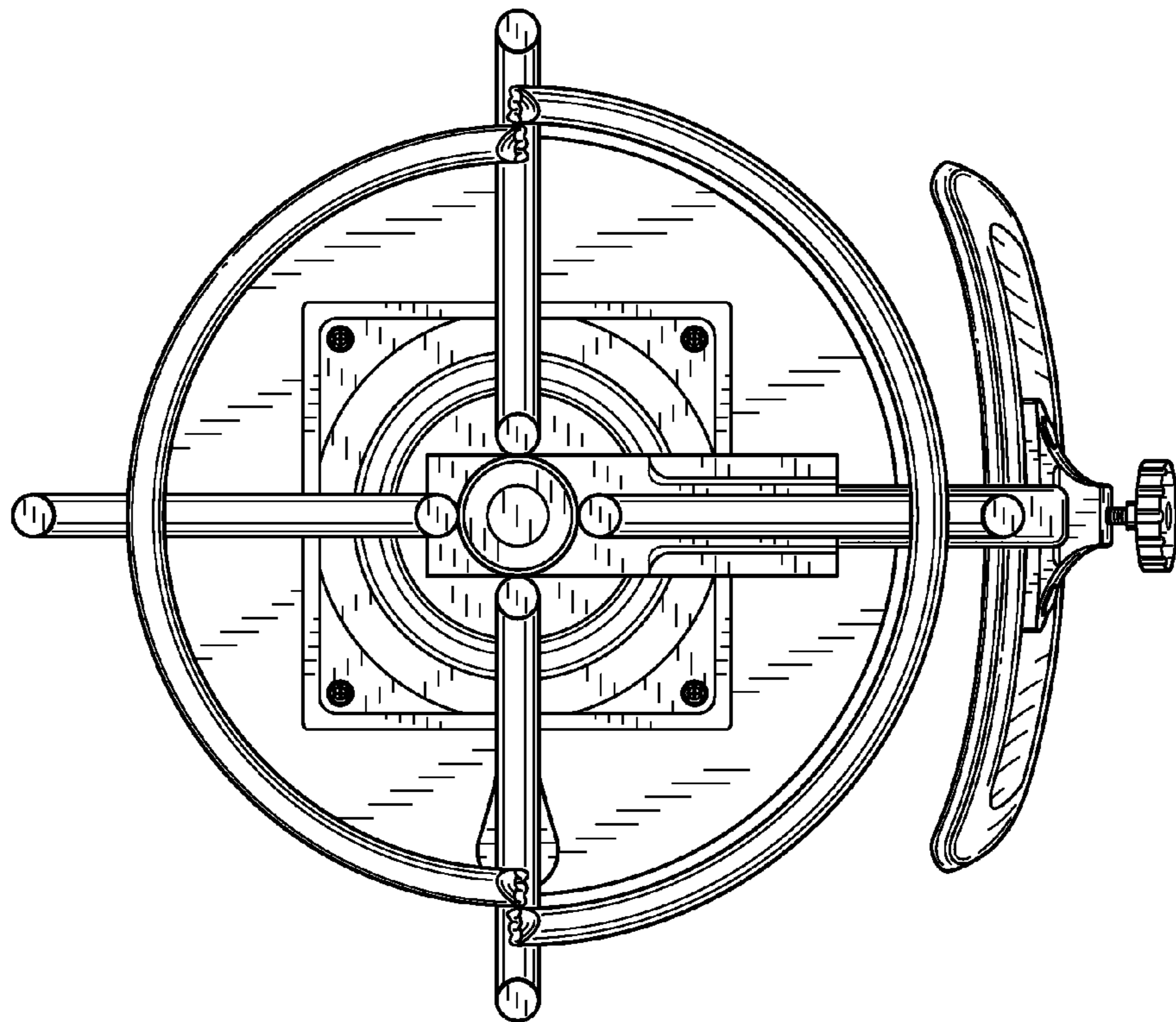


FIG. 7