



US00D575062S

(12) **United States Design Patent**
Wolf

(10) **Patent No.:** **US D575,062 S**

(45) **Date of Patent:** **** Aug. 19, 2008**

(54) **STORAGE CONTAINER COVER**

(76) **Inventor:** **Aaron Wolf**, 5775 12th Ave., E, Suite
110, Shakopee, MN (US) 55379

(**) **Term:** **14 Years**

(21) **Appl. No.:** **29/268,905**

(22) **Filed:** **Nov. 15, 2006**

(51) **LOC (8) Cl.** **03-01**

(52) **U.S. Cl.** **D3/318**

(58) **Field of Classification Search** D34/3,
D34/7, 10-11; D3/201, 318, 273, 292, 323,
D3/326; 206/241, 386, 389, 430, 508, 561,
206/598, 600; 220/555

See application file for complete search history.

(56) **References Cited**

U.S. PATENT DOCUMENTS

4,989,731	A *	2/1991	Shuert	206/386
D323,051	S *	1/1992	Baggott	D34/19
5,193,700	A *	3/1993	Lyman et al.	220/1.5
D361,417	S *	8/1995	Douglas	D34/11
5,638,950	A *	6/1997	Benno	206/144
D393,369	S *	4/1998	Tanji	D3/323

D459,849 S * 7/2002 Hogarth D34/7
2004/0084451 A1 * 5/2004 Burkhardt et al. 220/241

* cited by examiner

Primary Examiner—Louis S Zarfes
Assistant Examiner—Kathleen M Sims
(74) *Attorney, Agent, or Firm*—D L Tschida

(57) **CLAIM**

The ornamental design for a storage container cover, as shown and described.

DESCRIPTION

FIG. 1 is a front, left side, top, perspective view of a storage container cover showing my new design;

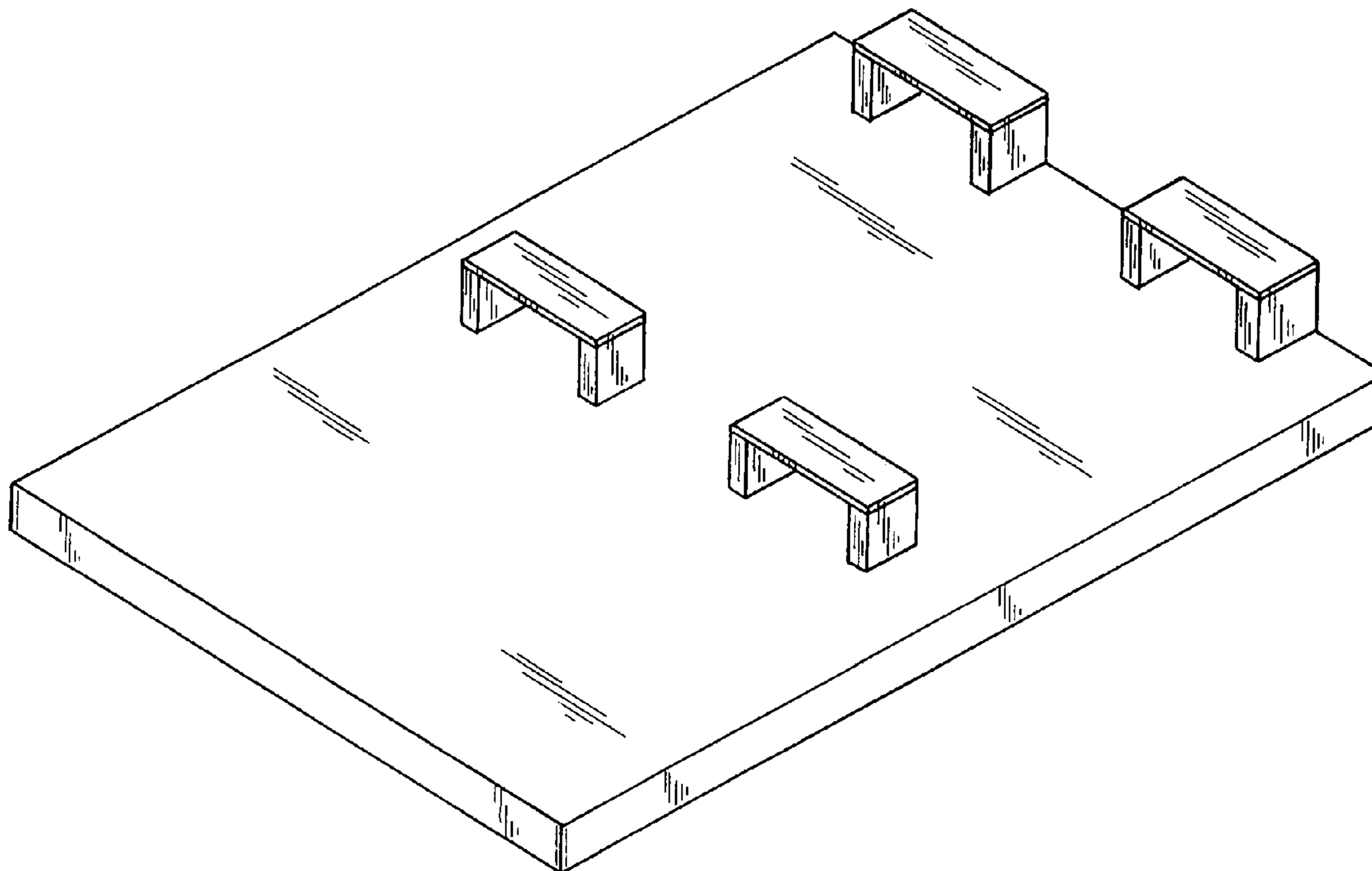
FIG. 2 is a right side view thereof;

FIG. 3 is a left side, top, perspective view thereof; and,

FIG. 4 is a bottom, rear, left side, perspective view.

The broken line showing of environmental matter in FIGS. 1-2 is included for the purpose of illustrating portions of the storage container cover and forms no part of the claimed design.

1 Claim, 4 Drawing Sheets



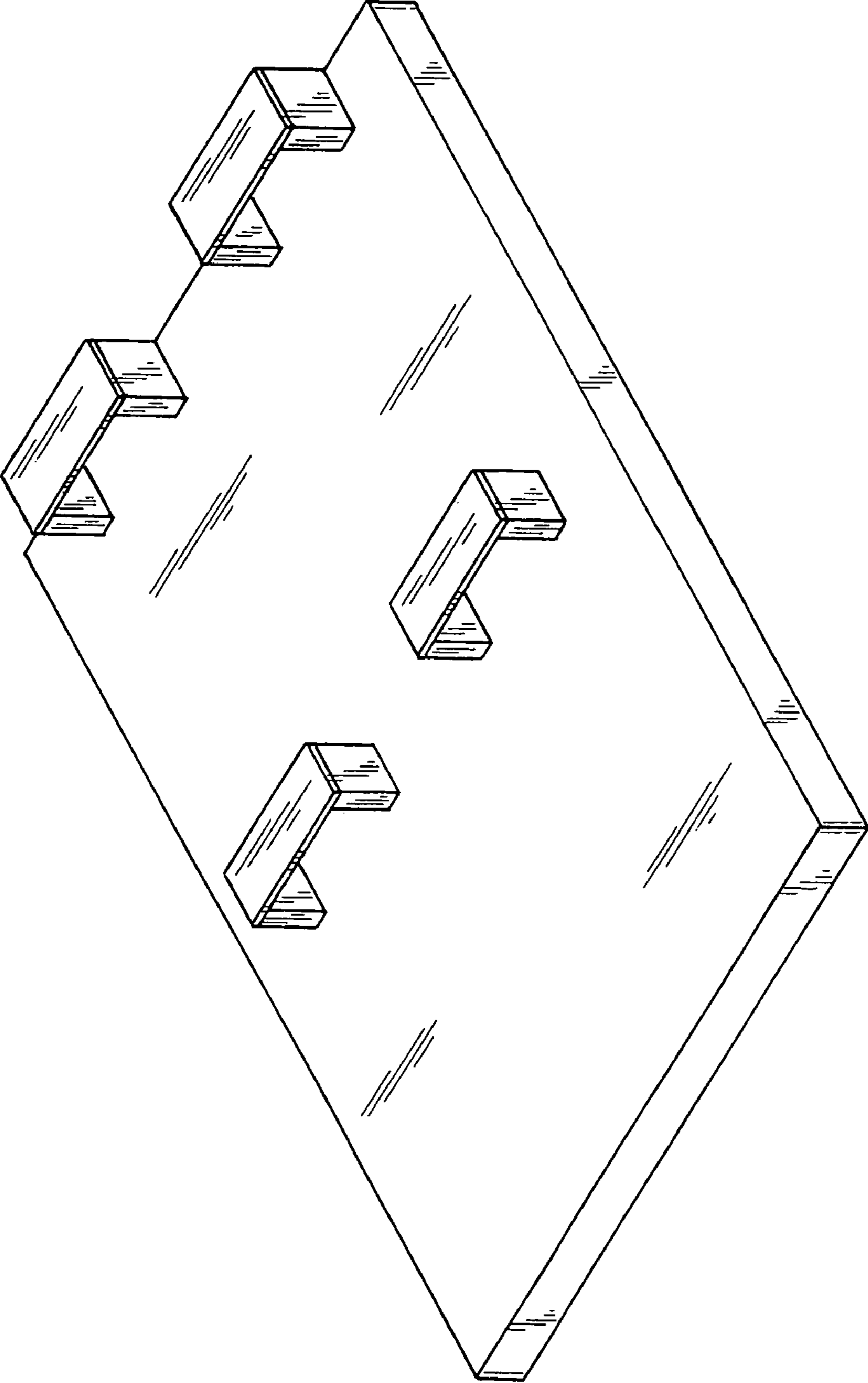


FIG. 1

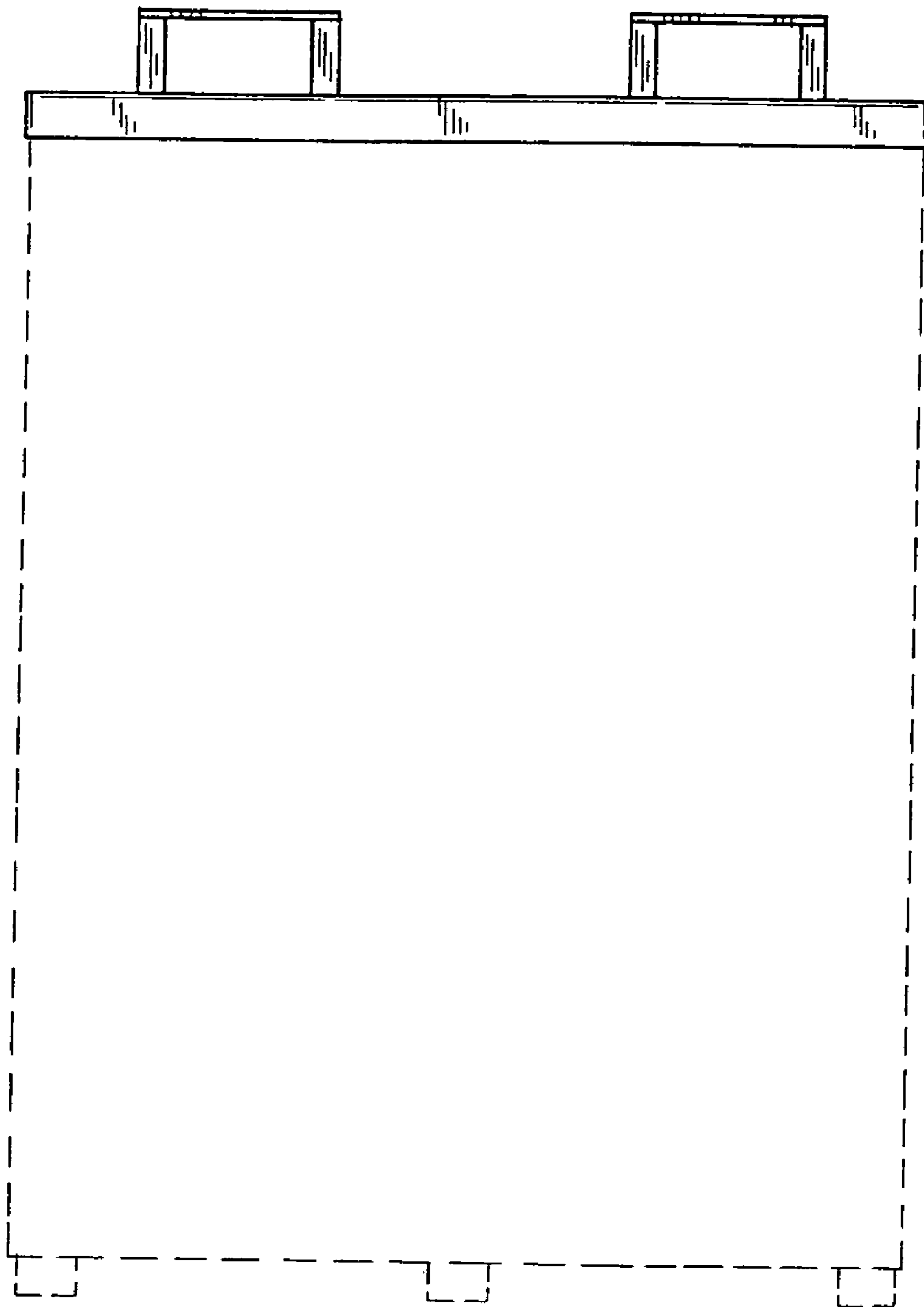


FIG. 2

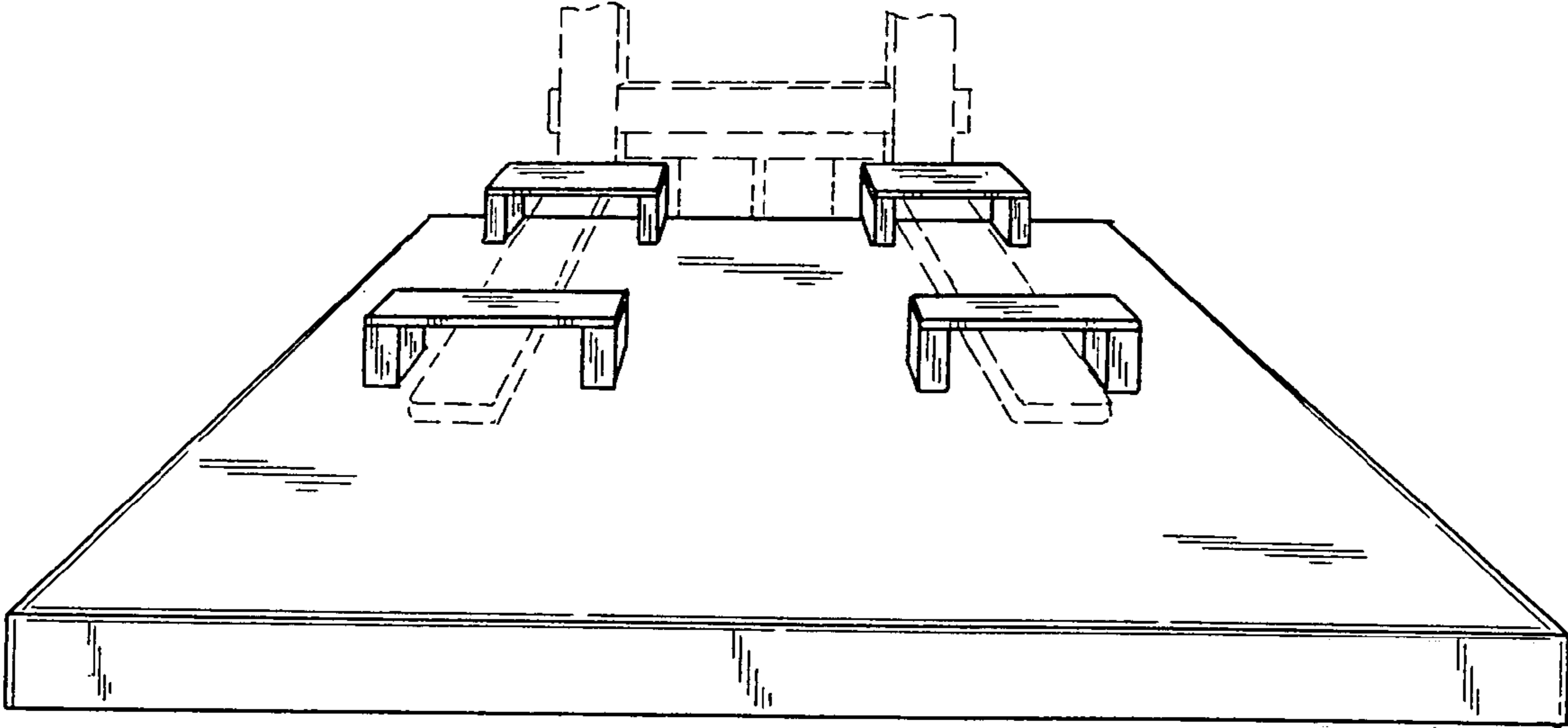


FIG. 3

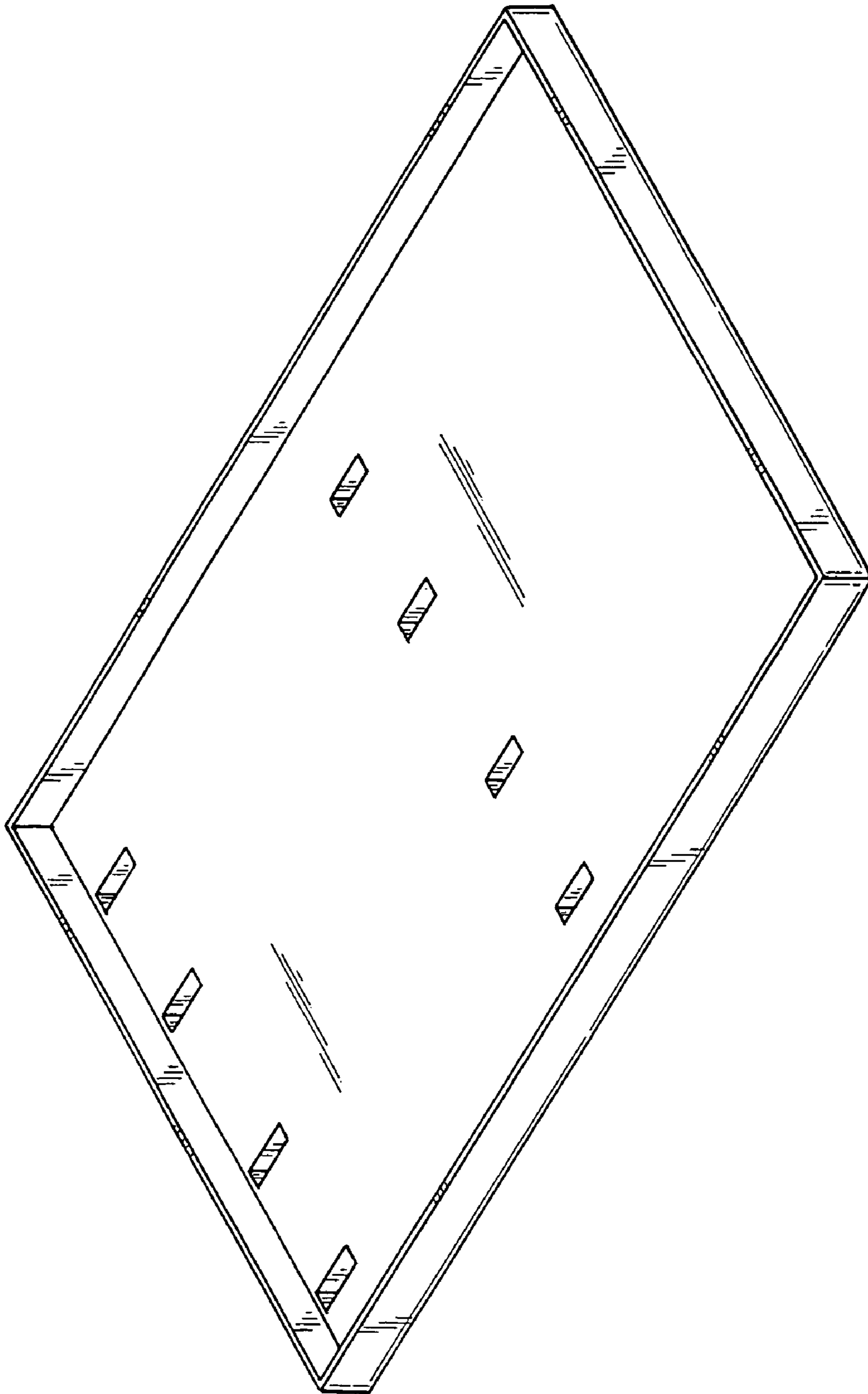


FIG. 4