



US00D575061S

(12) **United States Design Patent**
Titas et al.

(10) **Patent No.:** **US D575,061 S**

(45) **Date of Patent:** **** Aug. 19, 2008**

(54) **CARRYING TRAY**

(75) Inventors: **Richard Petras Titas**, Lyndhurst, OH (US); **Christopher Andrew Brizes**, Westlake, OH (US); **Mark Edward Cipolla**, Chardon, OH (US); **Paul Dana Stephens**, Twinsburg, OH (US); **Christopher Daniel Carsten**, Mason, OH (US); **Kirk Minor Kirssin**, Mason, OH (US); **Mary Ellen Travis**, Milford, OH (US)

(73) Assignee: **Cintas Corporation**, Cincinnati, OH (US)

(**) Term: **14 Years**

(21) Appl. No.: **29/247,529**

(22) Filed: **Jun. 23, 2006**

(51) **LOC (8) Cl.** **03-01**

(52) **U.S. Cl.** **D3/304**

(58) **Field of Classification Search** D3/20, D3/200-201, 203.1, 203.3, 205-206, 273, D3/276, 304-314; D6/525, 475-476; D19/75, D19/77, 86, 90, 92, 100; 206/203, 214, 215, 206/822, 307.1, 100, 913, 914, 406; D32/37
See application file for complete search history.

(56) **References Cited**

U.S. PATENT DOCUMENTS

- 2,335,898 A 12/1943 Arnold
- 2,849,175 A 8/1958 Thieman
- 2,896,809 A 7/1959 Metzger et al.
- 3,218,014 A 11/1965 Frazier
- 3,322,477 A 5/1967 Armijo
- 3,749,274 A 7/1973 Mele et al.
- 3,836,037 A 9/1974 Bass
- D233,207 S * 10/1974 Molzen D32/37
- D239,156 S 3/1976 McDonough
- 4,095,712 A 6/1978 Perrella
- 4,236,615 A 12/1980 Ginat
- 4,278,163 A 7/1981 Tomich
- D264,040 S * 4/1982 Kunze D32/37

- 4,325,492 A 4/1982 Kunze
- 4,427,110 A 1/1984 Shaw, Jr.
- 4,428,493 A 1/1984 McDonough
- D272,576 S * 2/1984 Klein D3/304
- 4,592,192 A 6/1986 Jacob et al.
- 4,603,791 A 8/1986 Spierer et al.
- 4,714,168 A 12/1987 Johnson et al.
- 4,715,498 A 12/1987 Hanifl
- 4,776,478 A 10/1988 Miller et al.
- 4,782,945 A 11/1988 Geiler et al.
- 4,801,034 A 1/1989 Sandomeno
- 4,883,207 A 11/1989 McArthur
- 4,948,266 A 8/1990 Bencic
- 4,955,566 A 9/1990 Bolich

(Continued)

FOREIGN PATENT DOCUMENTS

CA 2114864 4/2006

OTHER PUBLICATIONS

Hospesco, Health Gards® Receptacles, <http://www.hospesco.com/instit/receptacles.asp> (2 pages).

(Continued)

Primary Examiner—Louis S Zarfaz

Assistant Examiner—Eric L Goodman

(74) *Attorney, Agent, or Firm*—Donald E. Hasse; Hasse & Nesbitt LLC

(57) **CLAIM**

We claim the ornamental design for a carrying tray, as shown and described.

DESCRIPTION

FIG. 1 is a perspective view of the carrying tray.

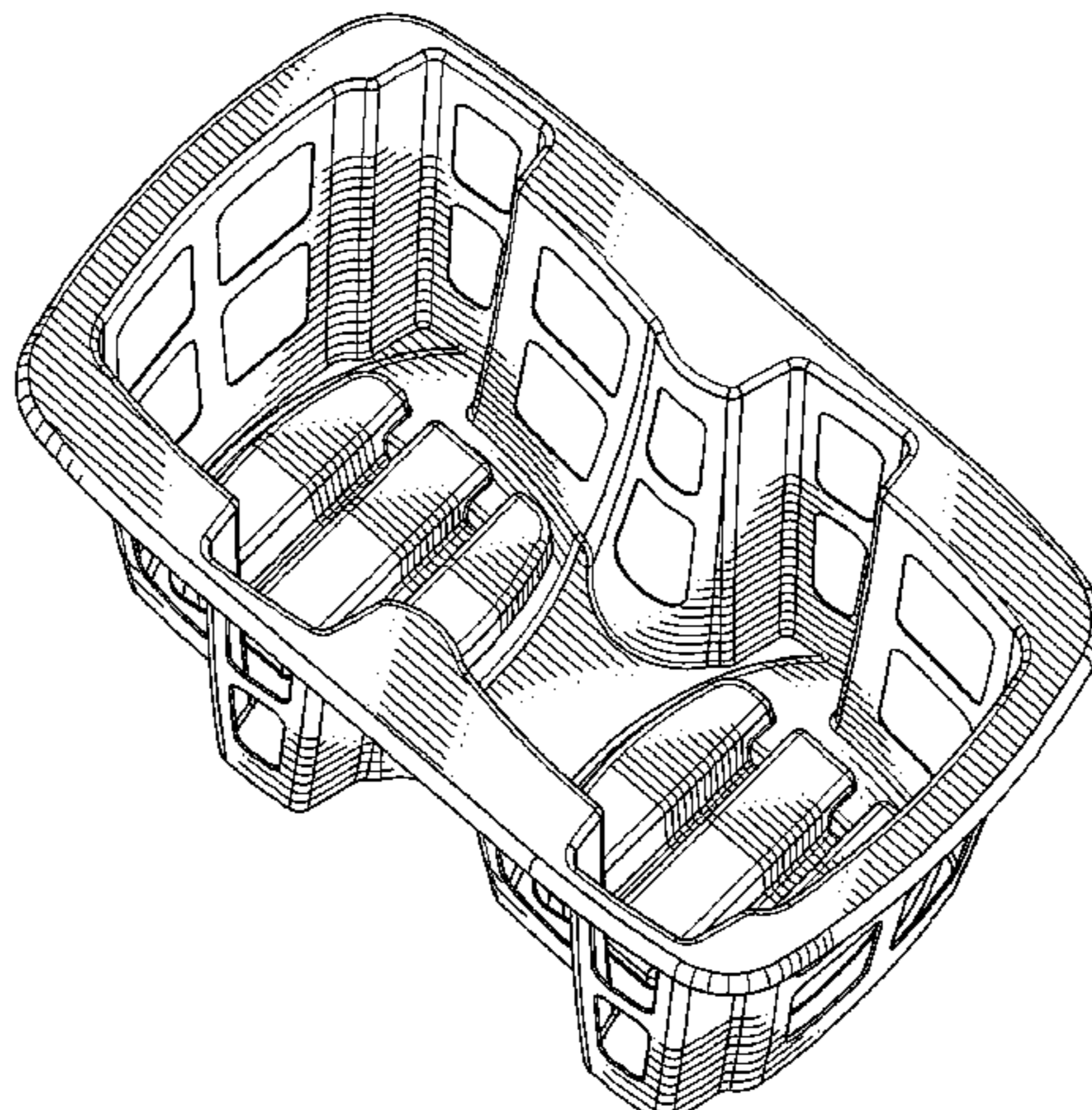
FIG. 2 is a top plan view of the carrying tray.

FIG. 3 is a bottom plan view of the carrying tray.

FIG. 4 is a front elevation view of the carrying tray, the back elevation view being a mirror image thereof; and,

FIG. 5 is a right side elevation view of the carrying tray, the left side view being a mirror image thereof.

1 Claim, 5 Drawing Sheets



US D575,061 S

Page 2

U.S. PATENT DOCUMENTS

5,027,578 A 7/1991 Natterer et al.
5,080,251 A 1/1992 Noack
5,117,997 A 6/1992 Fink
5,131,552 A 7/1992 Falso
5,154,345 A 10/1992 Shillington
D332,680 S 1/1993 Ramirez
5,183,175 A 2/1993 Brown
D340,079 S * 10/1993 Aaldenberg D19/90
D344,378 S * 2/1994 Wolff D32/37
D348,964 S 7/1994 Roy et al.
5,377,908 A 1/1995 Redman
5,385,259 A 1/1995 Bernstein et al.
5,392,916 A 2/1995 Paulison
5,423,445 A 6/1995 Montanari et al.
D360,062 S 7/1995 Mosior
D364,059 S 11/1995 Merriweather, Jr.
5,494,186 A 2/1996 Marsh
5,518,175 A 5/1996 Yeremian
5,540,351 A 7/1996 Luescher
5,647,502 A 7/1997 Marsh
5,692,626 A 12/1997 Wehrle et al.
5,695,087 A 12/1997 Tutton et al.
D390,115 S 2/1998 Wehrle et al.
D395,362 S * 6/1998 Fink et al. D3/307
5,799,909 A 9/1998 Ziegler
5,848,692 A 12/1998 Thorne et al.
5,881,896 A 3/1999 Presnell et al.
D411,008 S 6/1999 Gaba et al.
5,918,762 A 7/1999 Gaba et al.
5,947,285 A 9/1999 Gaba et al.
D414,864 S 10/1999 Gaba et al.
D415,273 S 10/1999 Gaba et al.

D421,122 S 2/2000 Gaba et al.
6,120,743 A 9/2000 Papari
6,173,861 B1 1/2001 Houry
6,179,151 B1 1/2001 Radvansky et al.
D438,964 S 3/2001 Gaba et al.
6,267,260 B1 7/2001 Lyons
D451,195 S 11/2001 Daniels et al.
D461,940 S 8/2002 Meinzinger et al.
6,481,576 B1 11/2002 Watkins
D473,030 S 4/2003 Sons
D478,663 S 8/2003 Moats et al.
D478,664 S 8/2003 Moats et al.
6,647,923 B2 11/2003 Nicoud et al.
6,685,044 B2 2/2004 Marcheselli et al.
6,739,114 B2 5/2004 Shaffer
6,901,974 B2 6/2005 Chomik et al.
D522,751 S 6/2006 Irwin et al.

OTHER PUBLICATIONS

Hospeco, SmartCan, Touch-Free Waste Receptacle, <http://www.hospeco.com/instit/smartcan.asp> (2 pages).
Hospeco 2004 "Must See" Products, SmartCan™ Touch-Free Waste Receptacle, (2 pages).
Cintas®, Restroom & Hygiene Services, Feminine Hygiene System, Sanibin, http://www.cintas-corp.com/products_services/restroom_hygiene_service/products_available/fem_hygiene.asp (1 page).
U.S. Appl. No. 29/247,530, filed Jun. 23, 2006, Titas et al.
U.S. Appl. No. 29/247,529, filed Jun. 23, 2006, Titas et al.
U.S. Appl. No. 29/247,528, filed Jun. 23, 2006, Titas et al.
U.S. Appl. No. 60/805,700, filed Jun. 23, 2006, Titas et al.

* cited by examiner

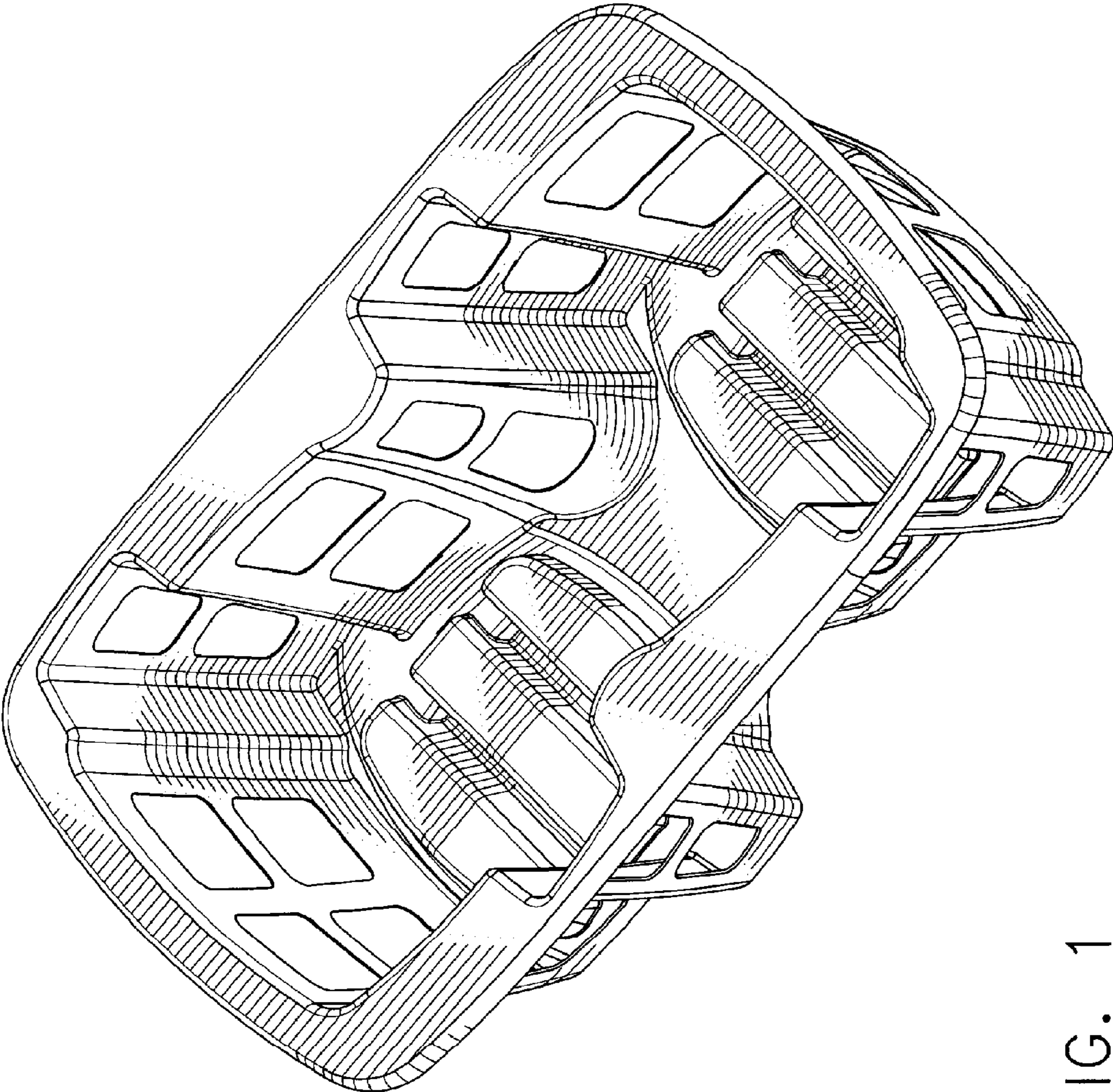


FIG. 1

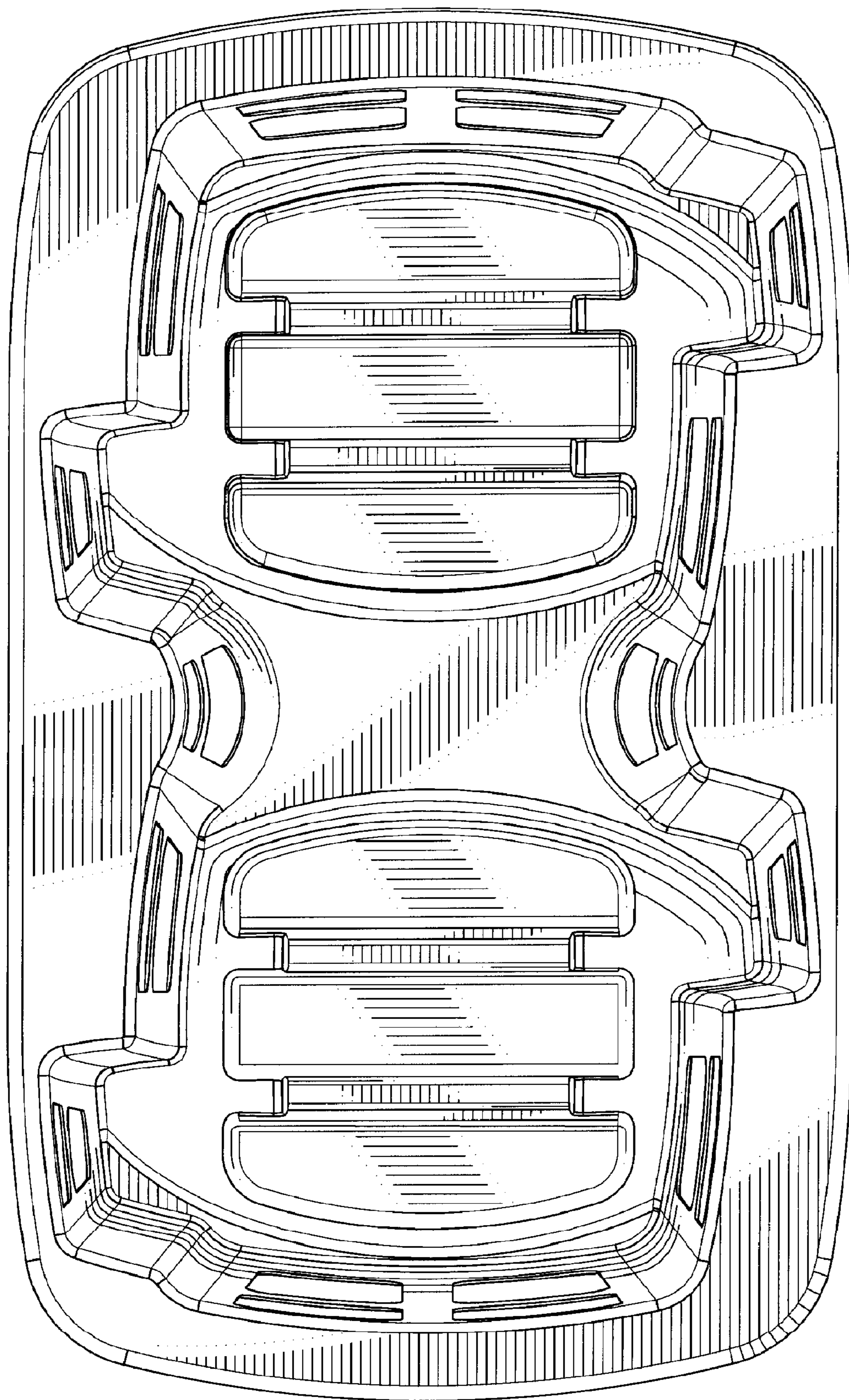


FIG. 2

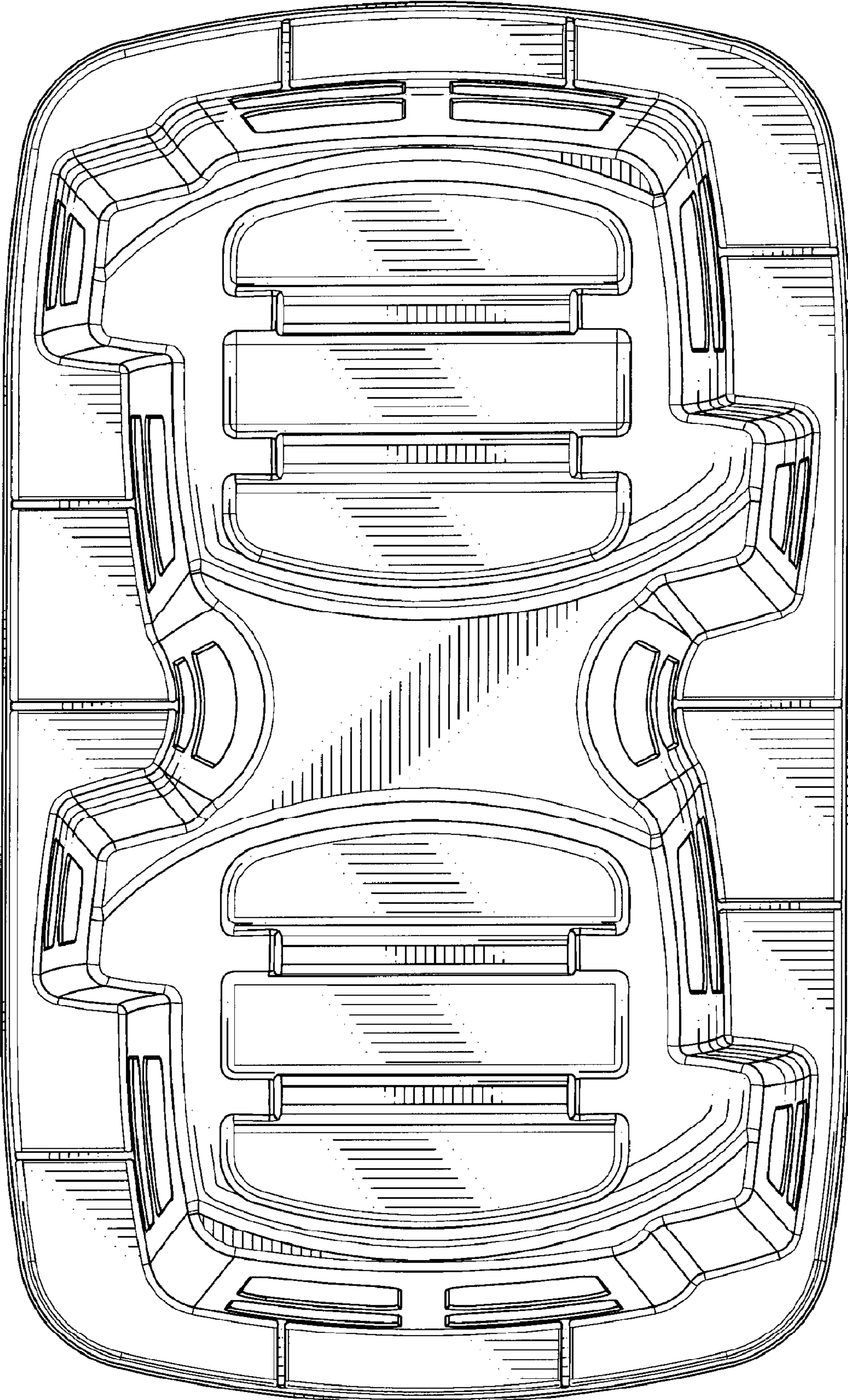


FIG. 3

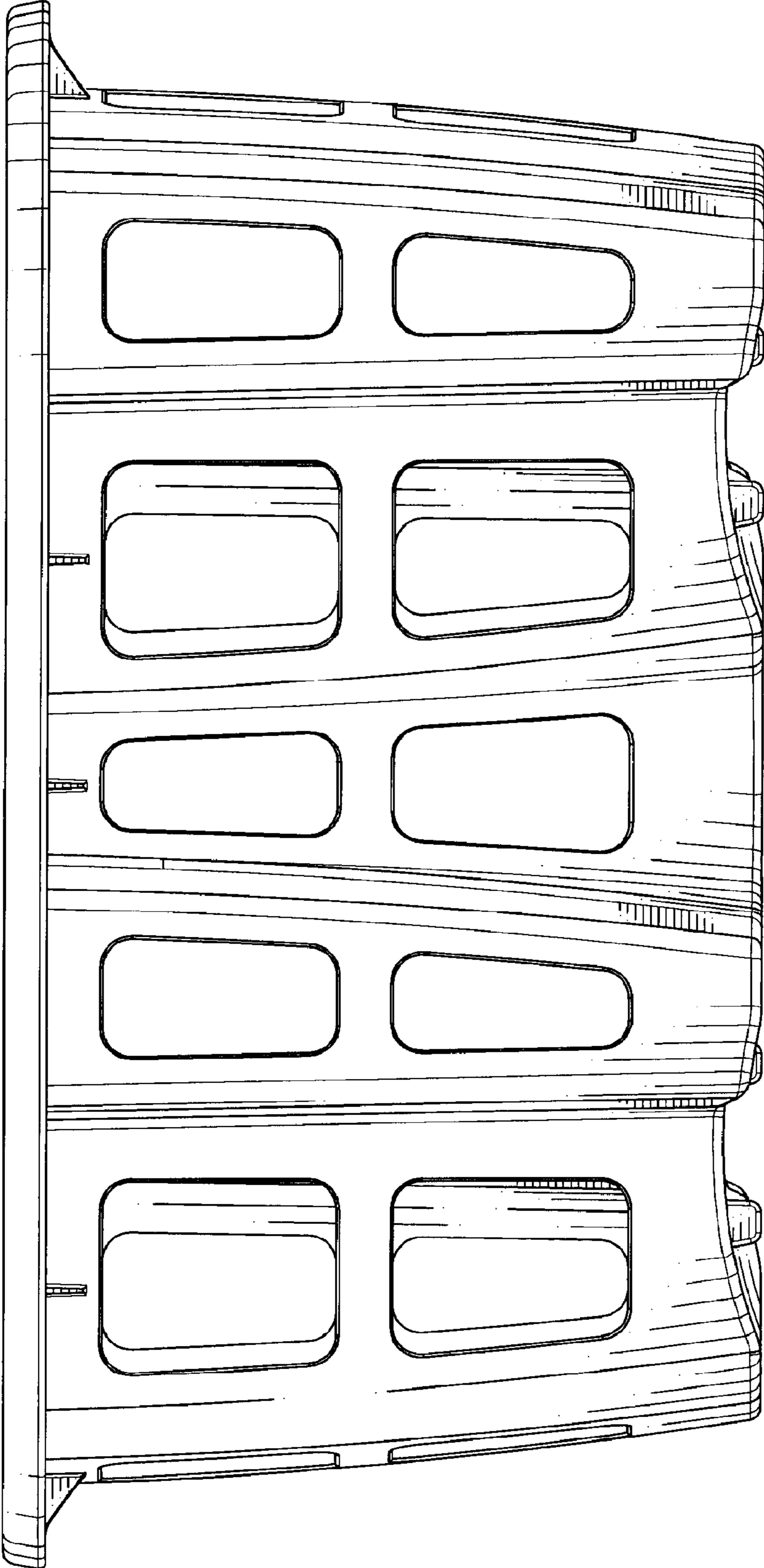


FIG. 4

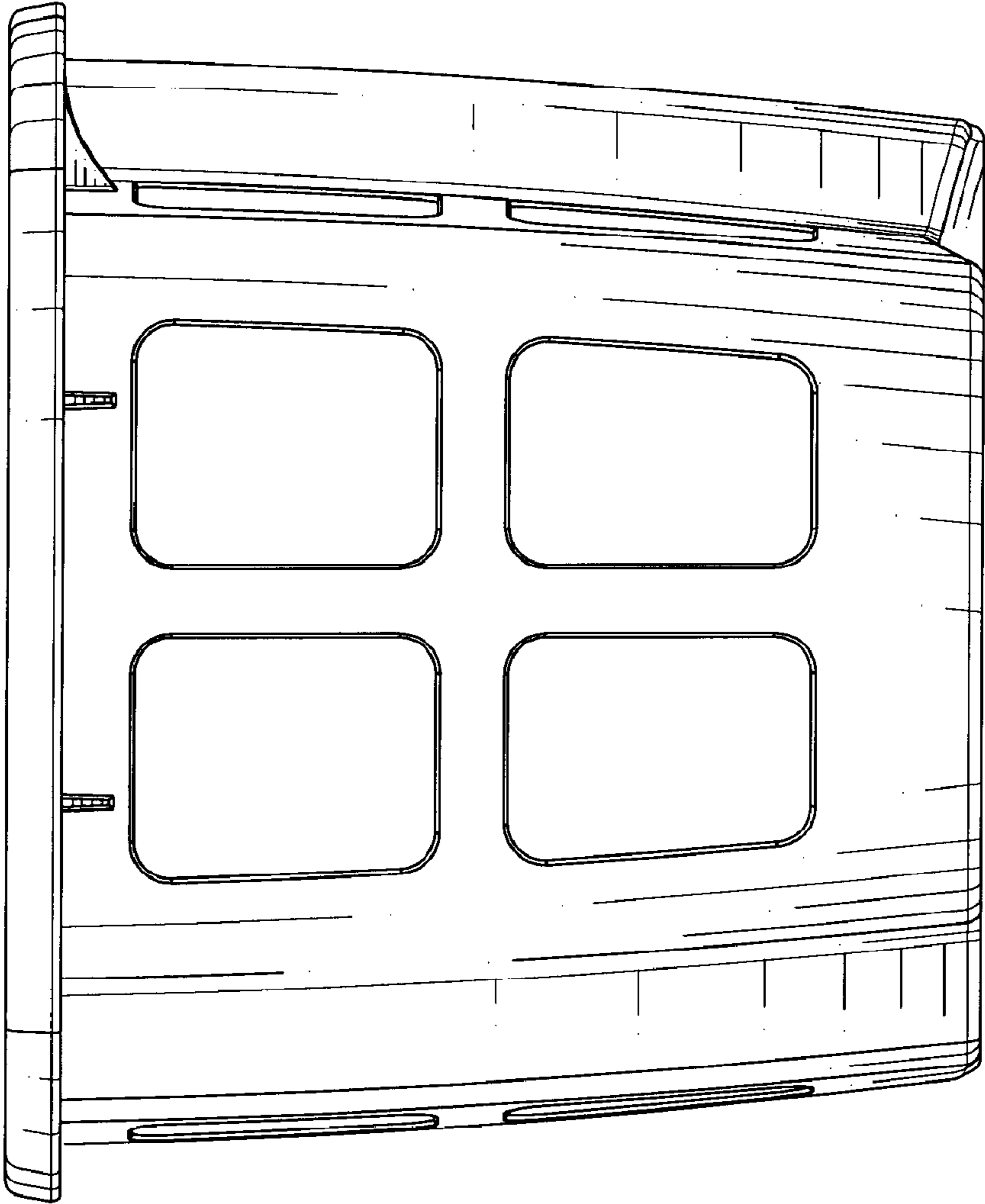


FIG. 5