



US00D575058S

(12) **United States Design Patent**  
**Lucas**

(10) **Patent No.:** **US D575,058 S**

(45) **Date of Patent:** **\*\* Aug. 19, 2008**

(54) **POOL CUE CASE**

(76) **Inventor:** **James O. Lucas**, 190 Cumberland Park  
Dr., St. Augustine, FL (US) 32095

(\*\*) **Term:** **14 Years**

(21) **Appl. No.:** **29/292,297**

(22) **Filed:** **Oct. 5, 2007**

(51) **LOC (8) Cl.** ..... **03-01**

(52) **U.S. Cl.** ..... **D3/254**

(58) **Field of Classification Search** ..... D3/254,  
D3/260, 262, 273, 276, 291, 221; 206/315.1,  
206/443; 190/100, 110, 111, 119, 120, 121;  
473/1, 2, 3

See application file for complete search history.

(56) **References Cited**

**U.S. PATENT DOCUMENTS**

D271,162 S *	11/1983	Evans	.....	D3/254
D318,566 S *	7/1991	Henry	.....	D3/255
D465,325 S *	11/2002	Lin	.....	D3/254
D478,726 S *	8/2003	Masso et al.	.....	D3/300

D509,956 S *	9/2005	Lin	.....	D3/254
7,044,297 B2 *	5/2006	Terrell	.....	206/315.11
D530,085 S *	10/2006	Quinnan	.....	D3/260
D551,862 S *	10/2007	Gerry	.....	D3/302
2006/0289319 A1 *	12/2006	Lin	.....	206/315.1

\* cited by examiner

*Primary Examiner*—Raphael Barkai

*Assistant Examiner*—Randall H Gholson

(74) *Attorney, Agent, or Firm*—Thomas C. Saitta

(57) **CLAIM**

The ornamental design for a pool cue case, as shown.

**DESCRIPTION**

FIG. 1 is a front view of the invention.

FIG. 2 is a rear view.

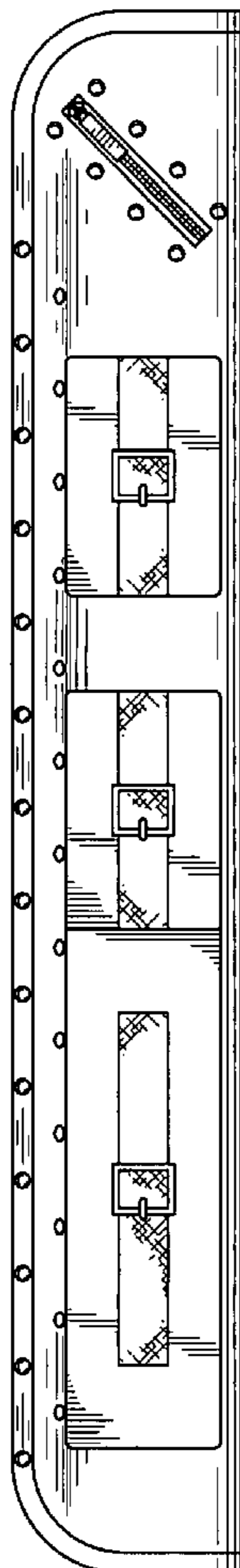
FIG. 3 is a top view.

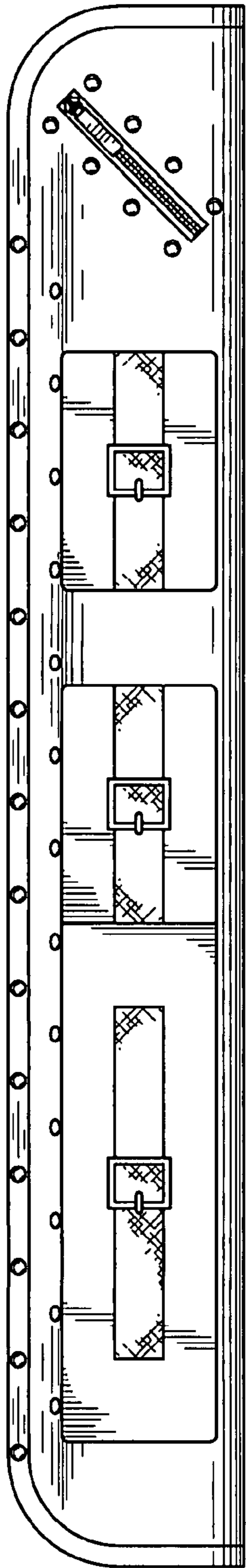
FIG. 4 is a bottom view.

FIG. 5 is a right end view; and,

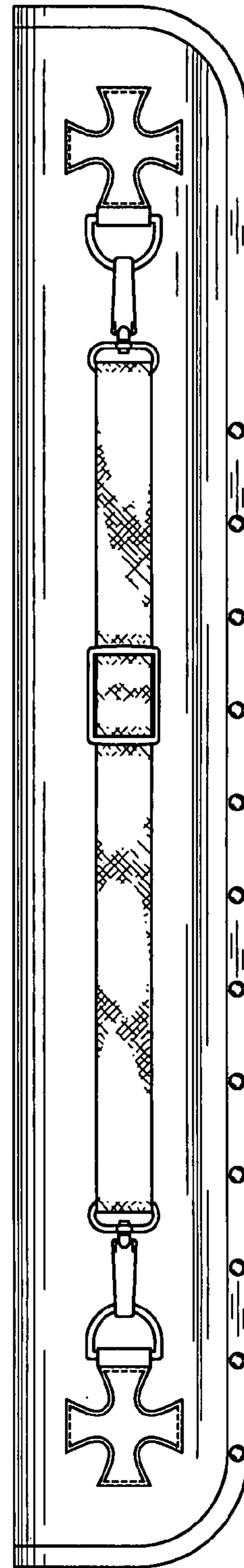
FIG. 6 is a left end view.

**1 Claim, 3 Drawing Sheets**

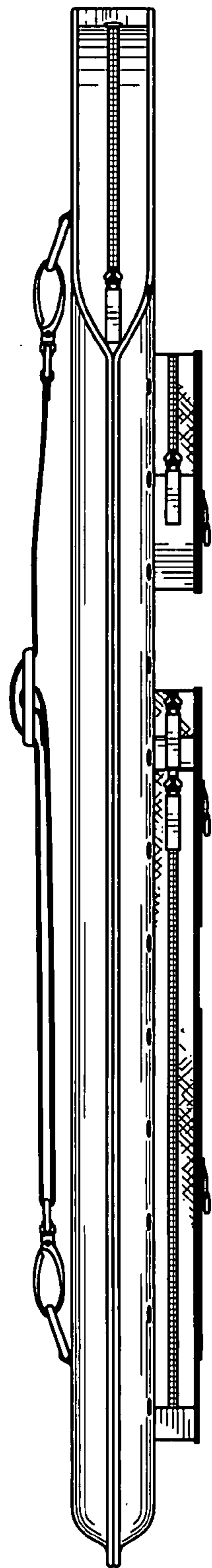




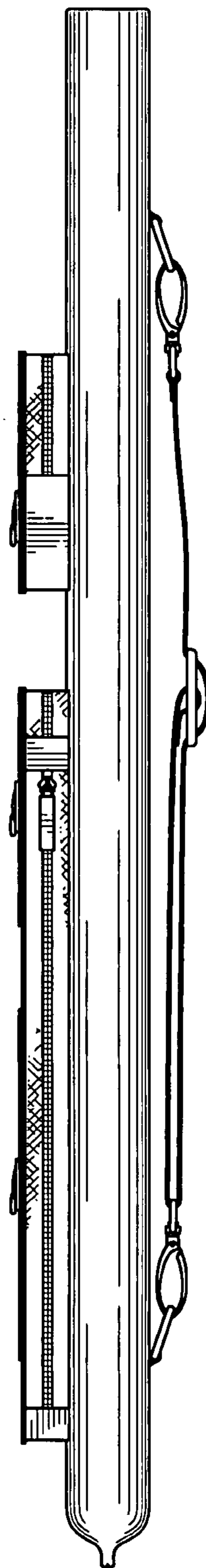
*Fig. 1*



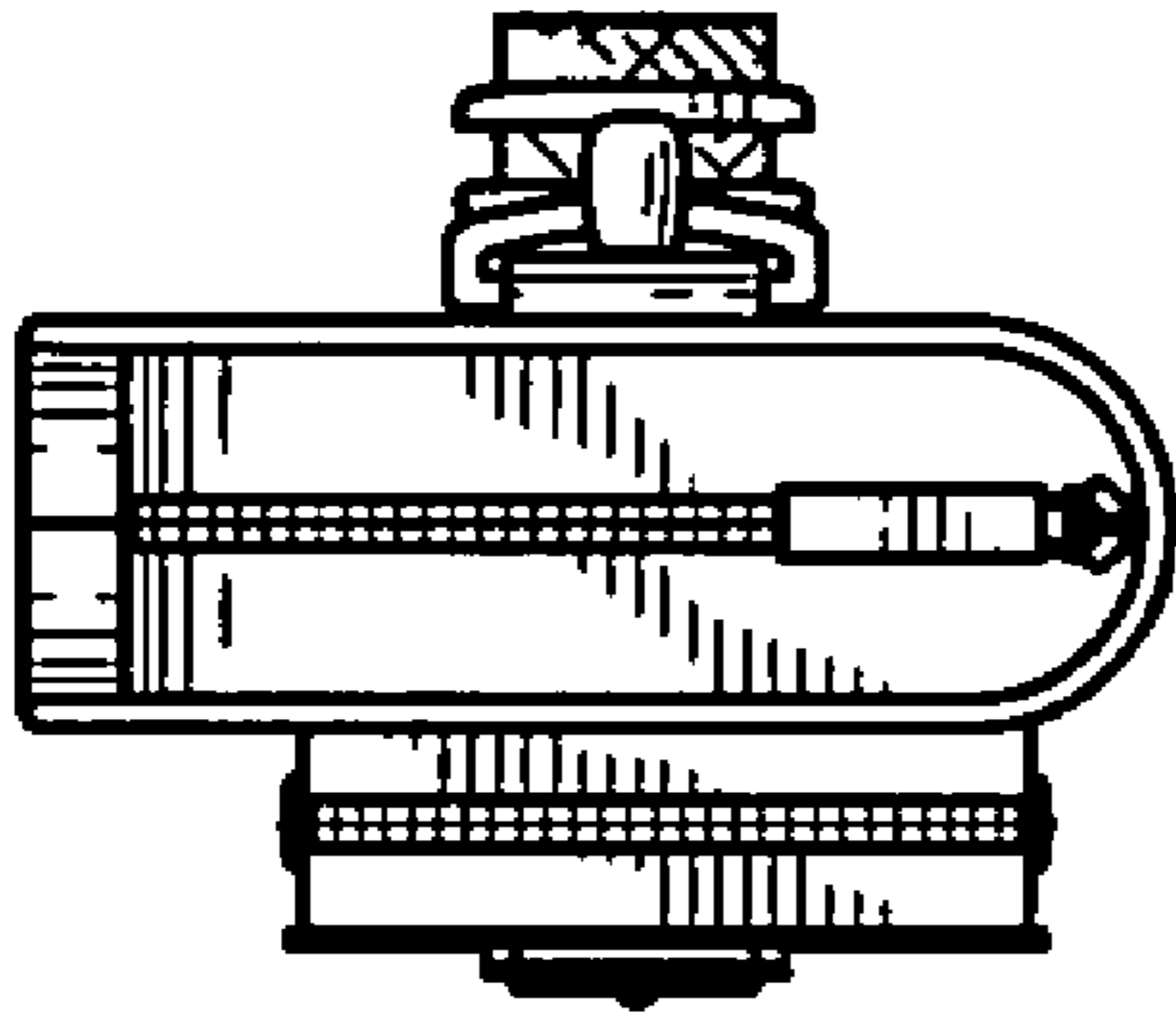
*Fig. 2*



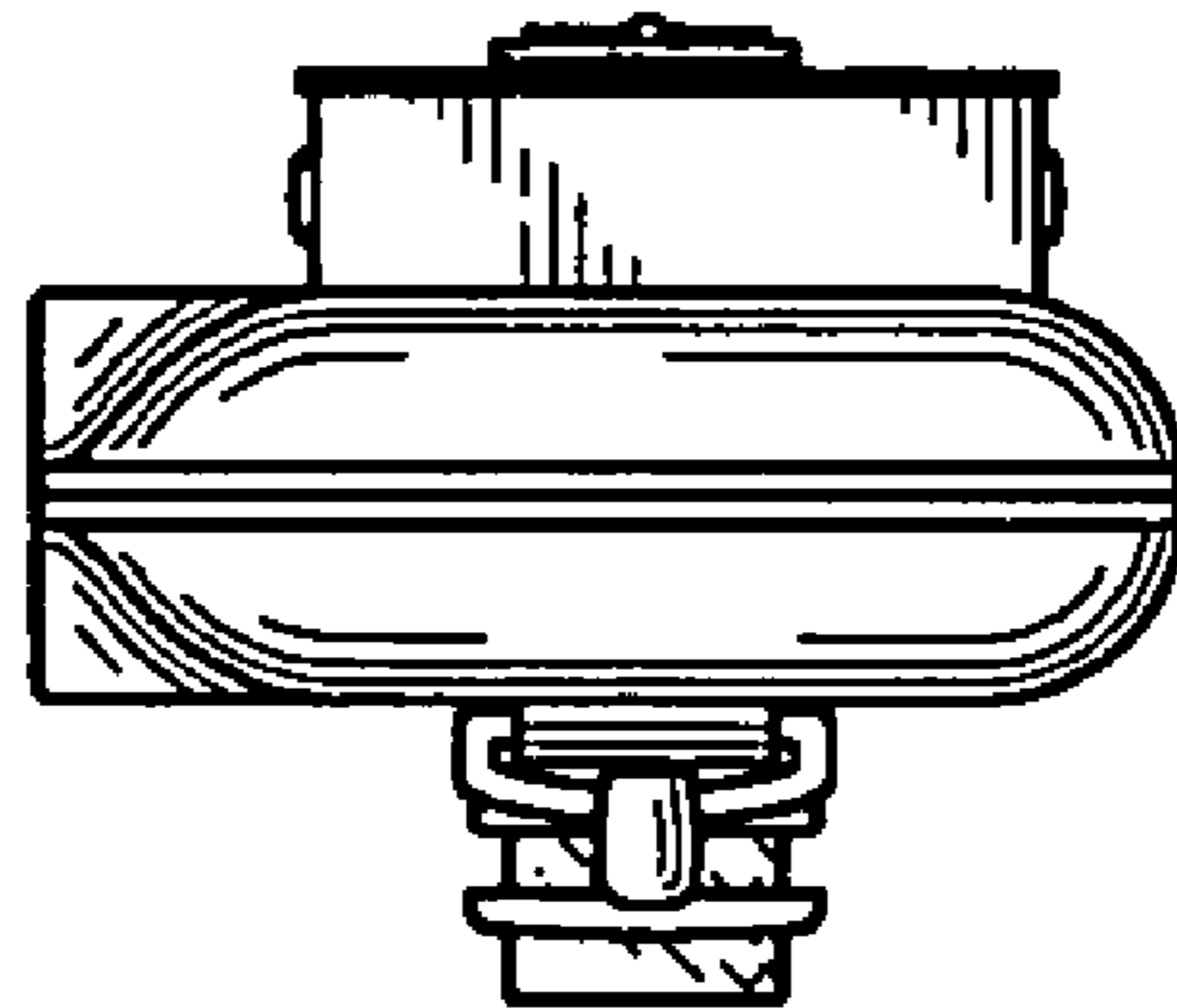
*Fig. 3*



*Fig. 4*



*Fig. 5*



*Fig. 6*