



US00D575056S

(12) **United States Design Patent**  
**Tan**

(10) **Patent No.:** **US D575,056 S**

(45) **Date of Patent:** **\*\* Aug. 19, 2008**

(54) **PORTABLE ELECTRONIC DEVICE CASE**

(75) Inventor: **Sung-Ho Joe Tan**, Los Angeles, CA  
(US)

(73) Assignee: **Incase Designs Corporation**, Irwindale,  
CA (US)

(\*\*) Term: **14 Years**

(21) Appl. No.: **29/303,868**

(22) Filed: **Feb. 19, 2008**

(51) **LOC (8) Cl.** ..... **03-01**

(52) **U.S. Cl.** ..... **D3/218; D3/201**

(58) **Field of Classification Search** ..... D3/218,  
D3/201, 215, 226, 269, 272–273; 206/305,  
206/320; 455/90, 92, 42; 379/455; 224/901,  
224/904, 240–241, 245, 682–683; D14/469,  
D14/156, 138

See application file for complete search history.

(56) **References Cited**

**U.S. PATENT DOCUMENTS**

- 4,515,272 A 5/1985 Newhouse
- D284,372 S 6/1986 Carpenter
- D312,534 S 12/1990 Nelson et al.
- D322,719 S 12/1991 Jayez
- 5,360,108 A 11/1994 Alagia
- 5,368,159 A 11/1994 Doria
- 5,383,091 A 1/1995 Snell
- D357,918 S 5/1995 Doria
- D405,801 S 2/1999 Nagele et al.
- 5,896,277 A 4/1999 Leon et al.
- 6,201,867 B1 3/2001 Koike
- D469,427 S 1/2003 Ma et al.
- 6,626,362 B1 9/2003 Steiner et al.
- D484,874 S 1/2004 Chang et al.
- D506,612 S 6/2005 Rosa et al.
- 7,050,841 B1 5/2006 Onda
- D537,063 S 2/2007 Kim et al.
- 7,194,291 B2 3/2007 Peng
- D540,539 S \* 4/2007 Gutierrez ..... D3/201
- D543,541 S 5/2007 Chung et al.

- D547,056 S 7/2007 Griffin et al.
- D551,252 S 9/2007 Andre et al.
- D551,856 S 10/2007 Ko et al.
- D556,681 S 12/2007 Kim
- D557,205 S 12/2007 Kim
- D558,972 S 1/2008 Oh
- D563,093 S \* 3/2008 Nussberger et al. .... D3/218

**OTHER PUBLICATIONS**

- Seidio, Inc., Innocase for iPhone, available at <http://www.seidioonline.com>, Jan. 2008 (accessed Feb. 6, 2008).
- Review of BoxWave FlexiSkin for Apple iPhone, available at <http://www.ilounge.com>, Jul. 6, 2007 (accessed Feb. 6, 2008).
- Review of DLO Jam Jacket for iPhone, available at <http://www.ilounge.com>, Jul. 6, 2007 (accessed Feb. 6, 2008).
- Review of Incipio dermaSHOT Silicone Case for Apple iPhone, available at <http://www.ilounge.com>, Jul. 6, 2007 (accessed Feb. 6, 2008).
- Review of Marware SportGrip Smooth Silicone Protection for iPhone, available at <http://www.ilounge.com>, Jul. 6, 2007 (accessed Feb. 6, 2008).
- Review of Speck SkinTight 2-Pack for iPhone, available at <http://www.ilounge.com>, Jul. 6, 2007 (accessed Feb. 6, 2008).
- Review of Speck ToughSkin for iPhone, available at <http://www.ilounge.com>, Jul. 6, 2007 (accessed Feb. 6, 2008).

(Continued)

*Primary Examiner*—Catherine R Oliver  
(74) *Attorney, Agent, or Firm*—Aka Chan LLP

(57) **CLAIM**

The ornamental design for a portable electronic device case, as shown and described.

**DESCRIPTION**

FIG. 1 shows a perspective view of a first embodiment for a design for a portable electronic device case, where upper and lower case portions are assembled together.

FIG. 2 shows a front view of the first embodiment, where upper and lower case portions are assembled together.

FIG. 3 shows a rear view of the first embodiment, where upper and lower case portions are assembled together.

FIG. 4 shows a left side view of the first embodiment, where upper and lower case portions are assembled together.

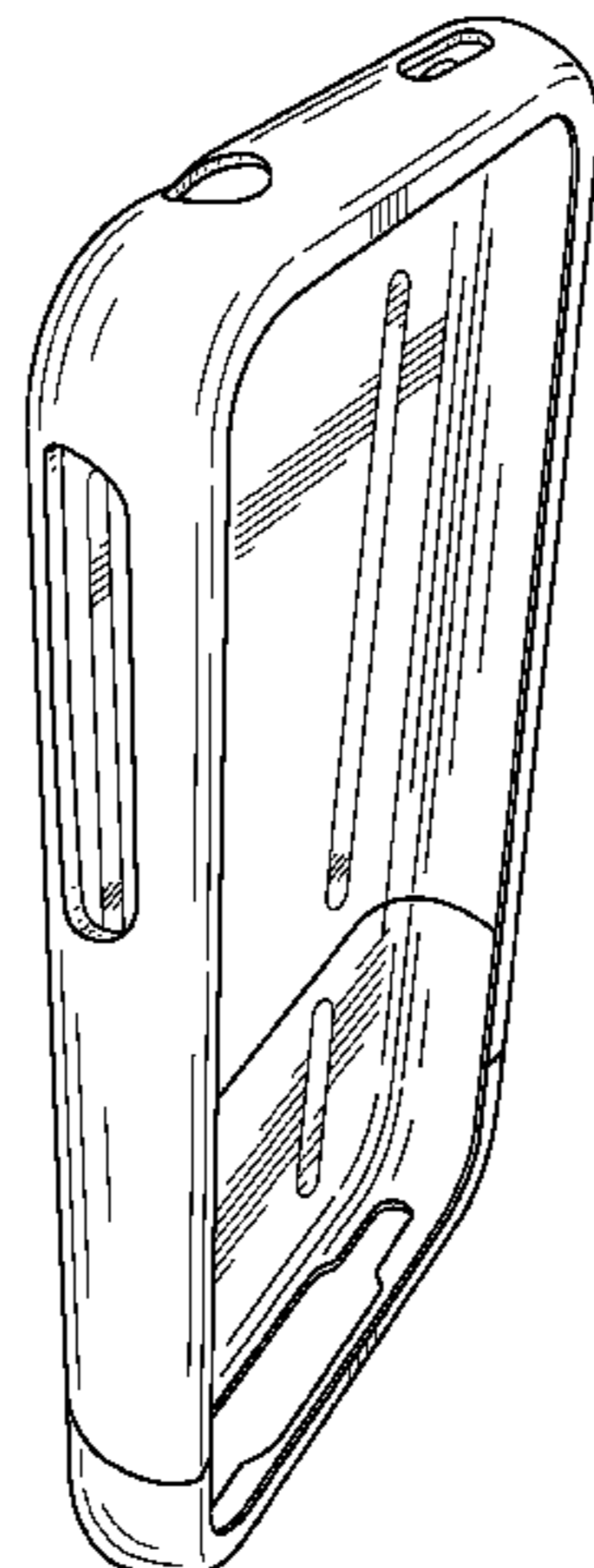


FIG. 5 shows a right side view of the first embodiment, where upper and lower case portions are assembled together.

FIG. 6 shows a top side view of the upper case portion of the first embodiment.

FIG. 7 shows a bottom side view of the lower case portion of the first embodiment.

FIG. 8 shows a perspective view of the first embodiment, where upper and lower case portions are separated.

FIG. 9 shows a front view of the first embodiment, where upper and lower case portions are separated.

FIG. 10 shows a rear view of the first embodiment, where upper and lower case portions are separated.

FIG. 11 shows a left side view of the first embodiment, where upper and lower case portions are separated.

FIG. 12 shows a right side view of the first embodiment, where upper and lower case portions are separated.

FIG. 13 shows a perspective view of a second embodiment for a design for a portable electronic device case, where upper and lower case portions are assembled together.

FIG. 14 shows a front view of the second embodiment, where upper and lower case portions are assembled together.

FIG. 15 shows a rear view of the second embodiment, where upper and lower case portions are assembled together.

FIG. 16 shows a left side view of the second embodiment, where upper and lower case portions are assembled together.

FIG. 17 shows a right side view of the second embodiment, where upper and lower case portions are assembled together.

FIG. 18 shows a top side view of the upper case portion of the second embodiment.

FIG. 19 shows a bottom side view of the lower case portion of the second embodiment.

FIG. 20 shows a perspective view of the second embodiment, where upper and lower case portions are separated.

FIG. 21 shows a front view of the second embodiment, where upper and lower case portions are separated.

FIG. 22 shows a rear view of the second embodiment, where upper and lower case portions are separated.

FIG. 23 shows a left side view of the second embodiment, where upper and lower case portions are separated.

FIG. 24 shows a right side view of the second embodiment, where upper and lower case portions are separated.

FIG. 25 shows a perspective view of a third embodiment for a design for a portable electronic device case, where upper and lower case portions are assembled together.

FIG. 26 shows a front view of the third embodiment, where upper and lower case portions are assembled together.

FIG. 27 shows a rear view of the third embodiment, where upper and lower case portions are assembled together.

FIG. 28 shows a left side view of the third embodiment, where upper and lower case portions are assembled together.

FIG. 29 shows a right side view of the third embodiment, where upper and lower case portions are assembled together.

FIG. 30 shows a top side view of the upper case portion of the third embodiment.

FIG. 31 shows a bottom side view of the lower case portion of the third embodiment.

FIG. 32 shows a perspective view of the third embodiment, where upper and lower case portions are separated.

FIG. 33 shows a front view of the third embodiment, where upper and lower case portions are separated.

FIG. 34 shows a rear view of the third embodiment, where upper and lower case portions are separated.

FIG. 35 shows a left side view of the third embodiment, where upper and lower case portions are separated; and,

FIG. 36 shows a right side view of the third embodiment, where upper and lower case portions are separated.

The broken-line features in the figures are for illustrative purposes only and form no part of the claimed design.

### **1 Claim, 36 Drawing Sheets**

#### **OTHER PUBLICATIONS**

Review of Belkin Acrylic Case for iPhone, available at <http://www.ilounge.com>, Jul. 6, 2007 (accessed Feb. 6, 2008).

Review of Belkin Sport Armband for iPhone, available at <http://www.ilounge.com>, Jul. 19, 2007 (accessed Feb. 6, 2008).

iSkin, Inc., revo for iPhone, available at <http://www.iskin.com>, Jul. 25, 2007 (accessed Feb. 6, 2008).

The Agent 18 Eco iPhone Shield Case Review, available at <http://blog.moneykit.com>, Sep. 14, 2007 (accessed Feb. 6, 2008).

Review of Artwizz SeeJacket Crystal for Apple iPhone, available at <http://www.ilounge.com>, Nov. 29, 2007 (accessed Feb. 6, 2008).

Review of Agent 18 iPhone Shield, available at <http://www.ilounge.com>, Jan. 4, 2008 (accessed Feb. 6, 2008).

Review of Belkin Clear Case for iPhone, available at <http://www.ilounge.com>, Jan. 4, 2008 (accessed Feb. 6, 2008).

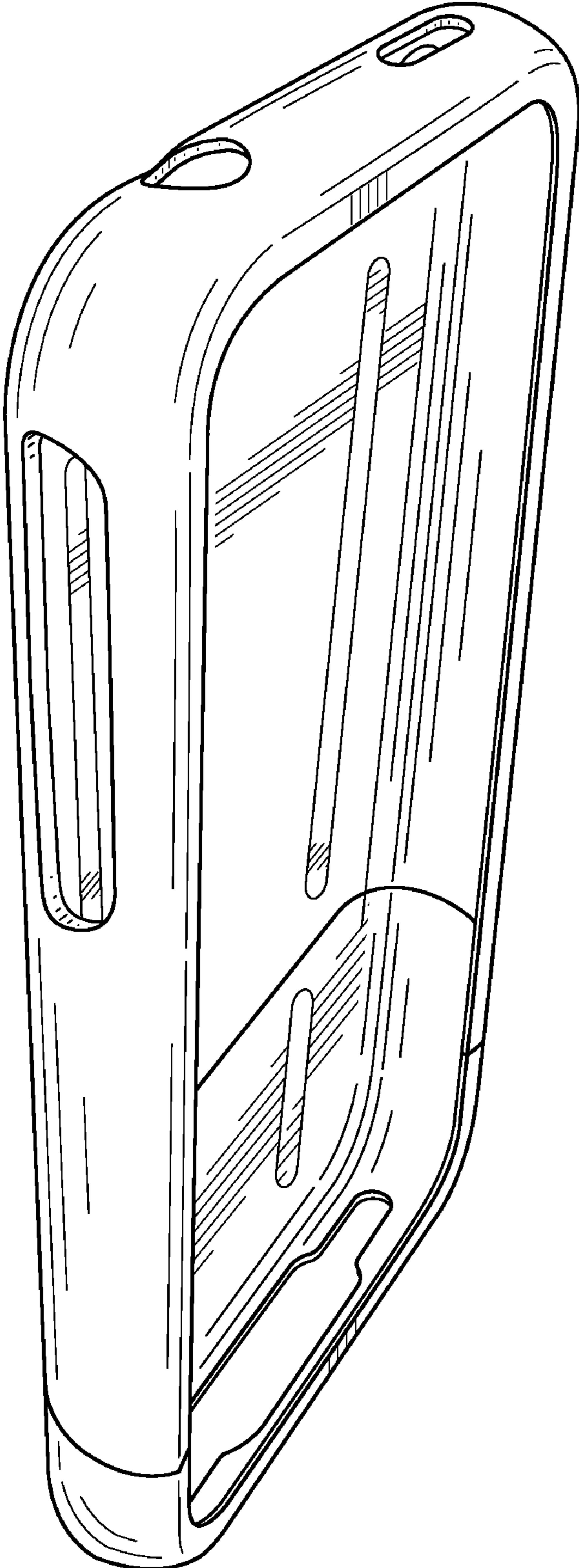
Review of CoverCase SlimSkin Silicon Case for iPhone, available at <http://www.ilounge.com>, Jan. 10, 2008 (accessed Feb. 6, 2008).

Agent 18, Eco iPhone Shield, available at <http://www.agent18.com>, Sep. 2007 (accessed Feb. 6, 2008).

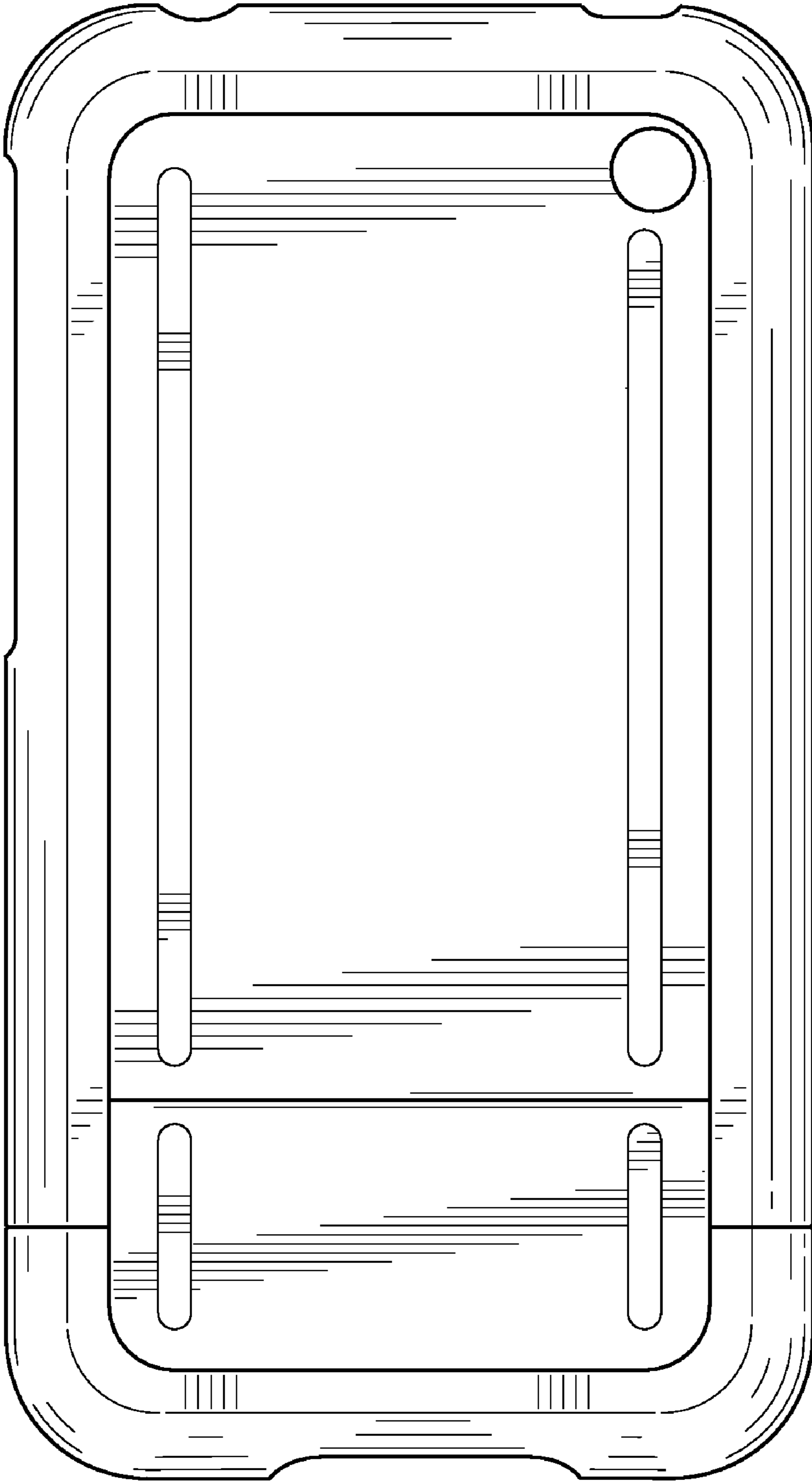
Agent 18, iPhone Shield, available at <http://www.agent18.com>, Dec. 2007 (accessed Feb. 6, 2008).

Seidio, Inc., Super Slim Rubberized Hard Case for iPhone, available at <http://www.seidioonline.com>, Sep. 2007 (accessed Feb. 6, 2008).

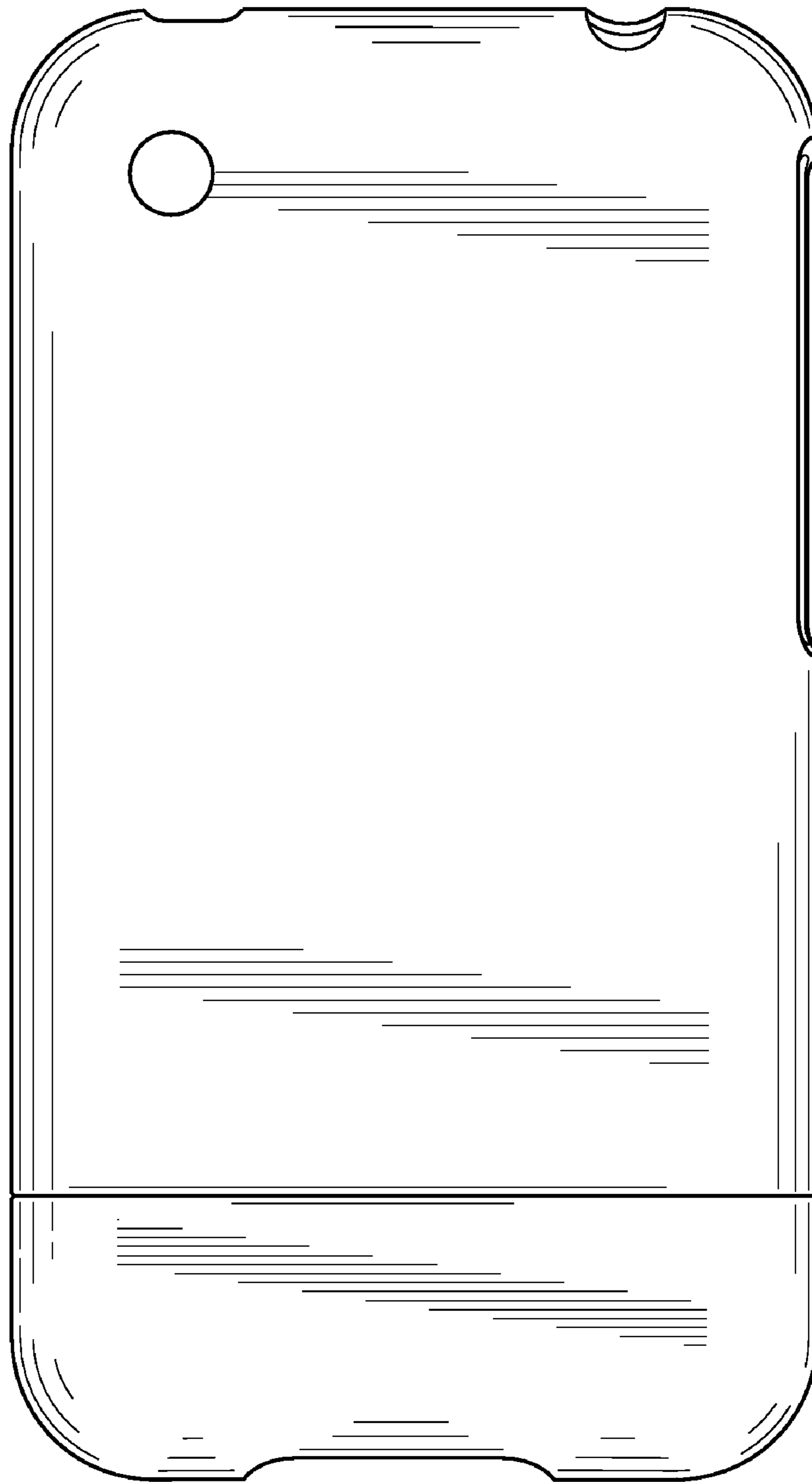
\* cited by examiner



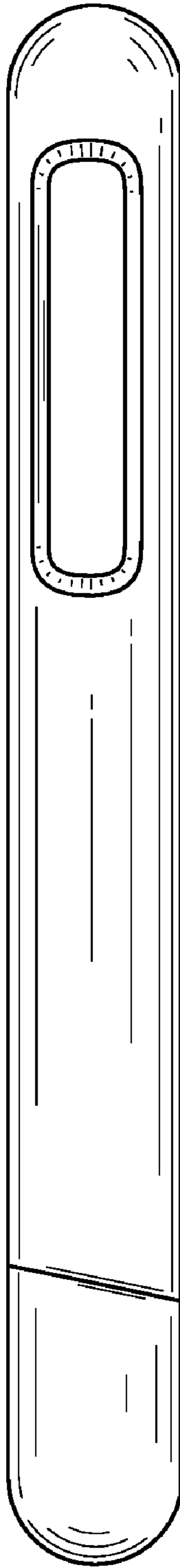
**FIG. 1**



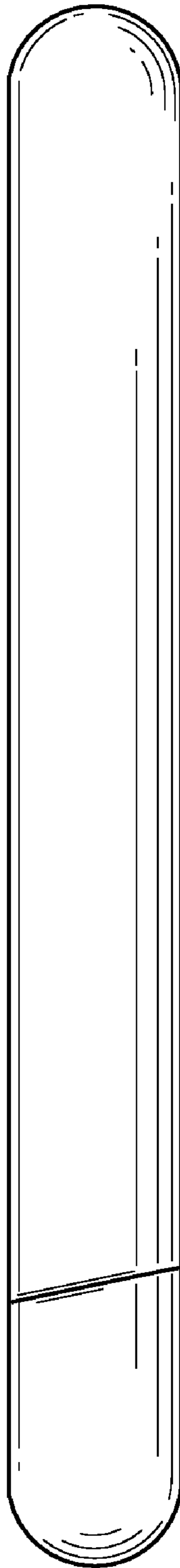
**FIG. 2**



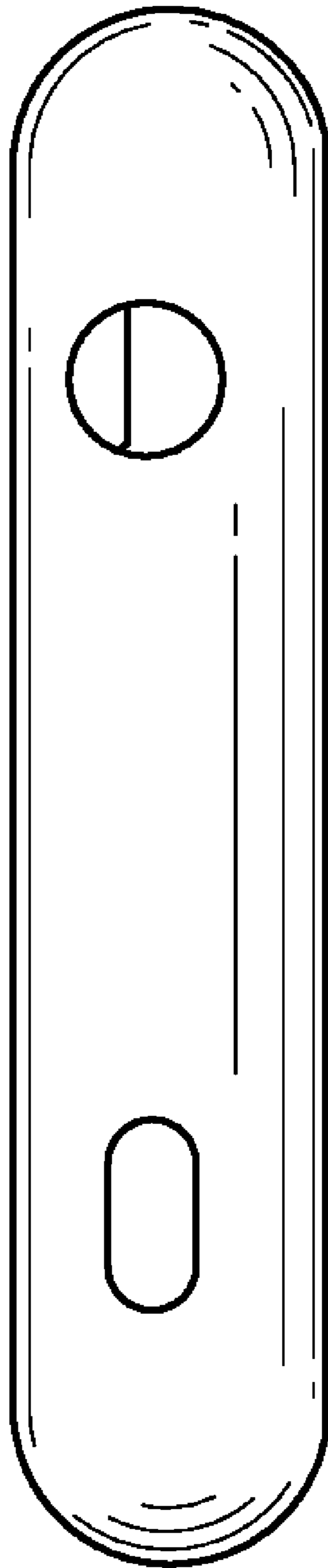
**FIG. 3**



**FIG. 4**

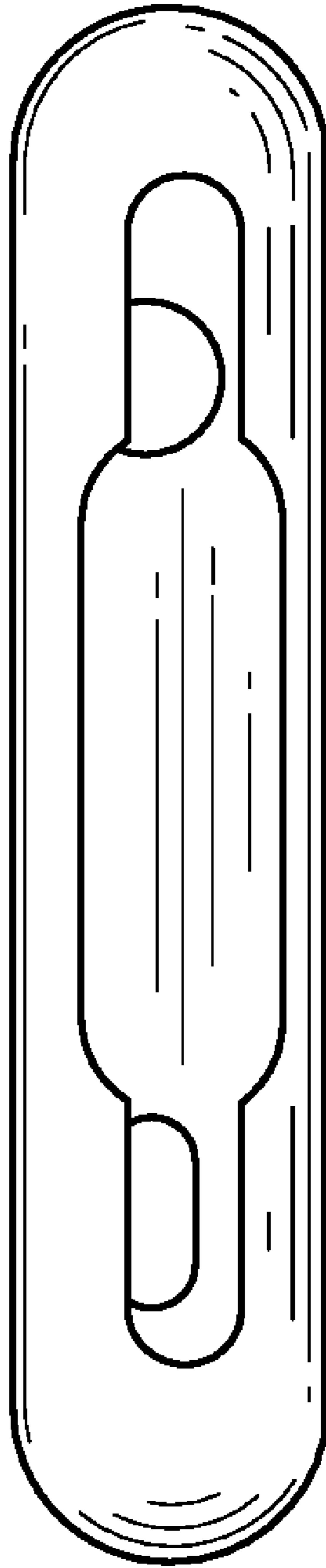


**FIG. 5**

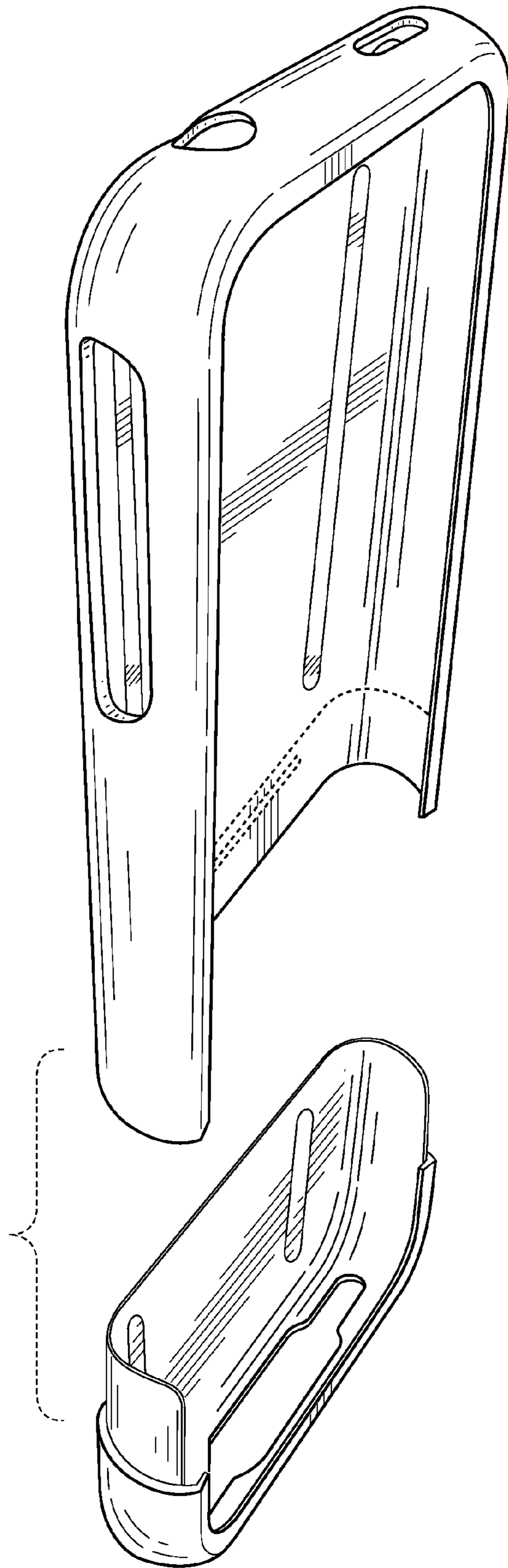


**FIG. 6**





**FIG. 7**



**FIG. 8**

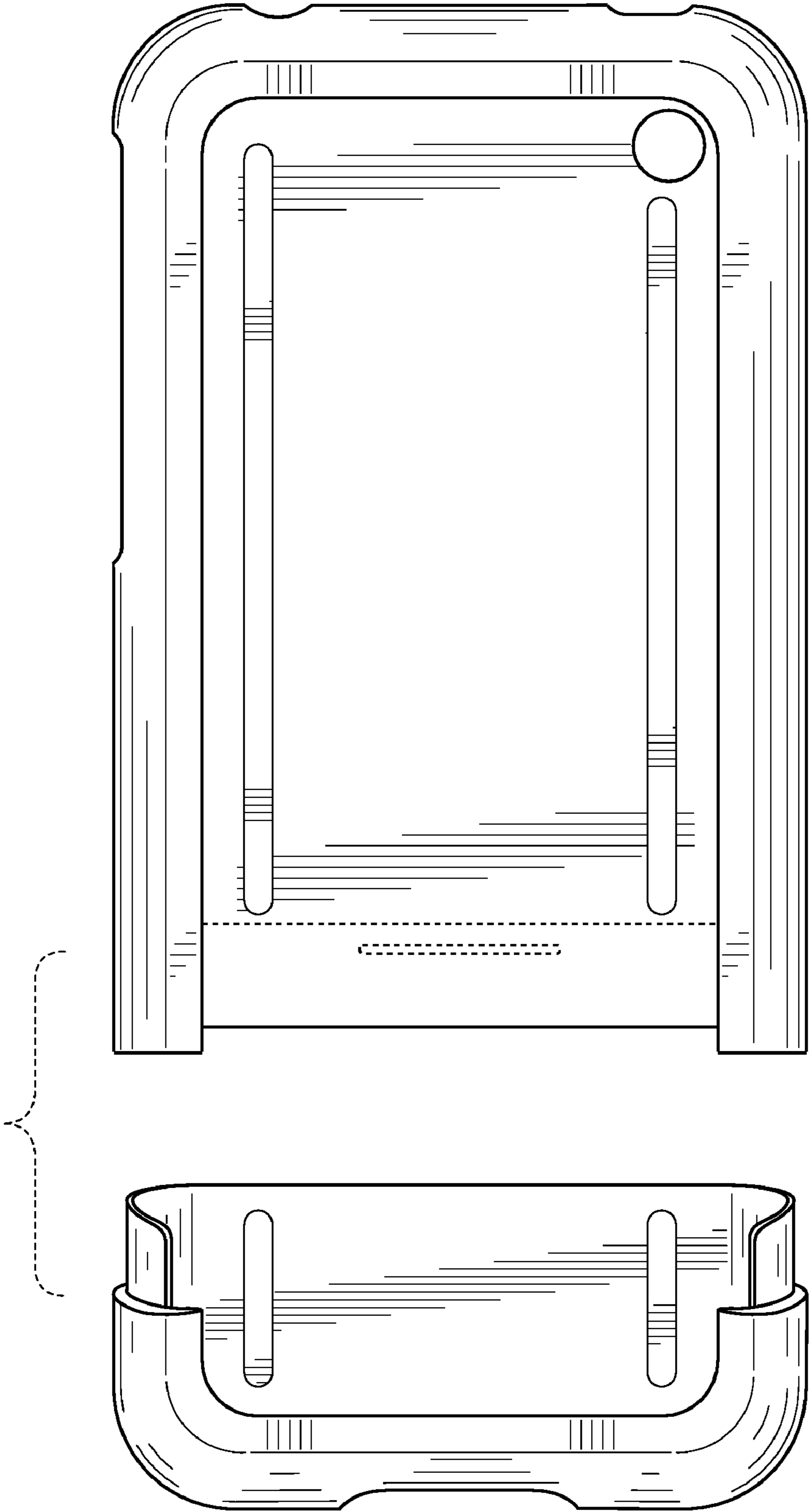
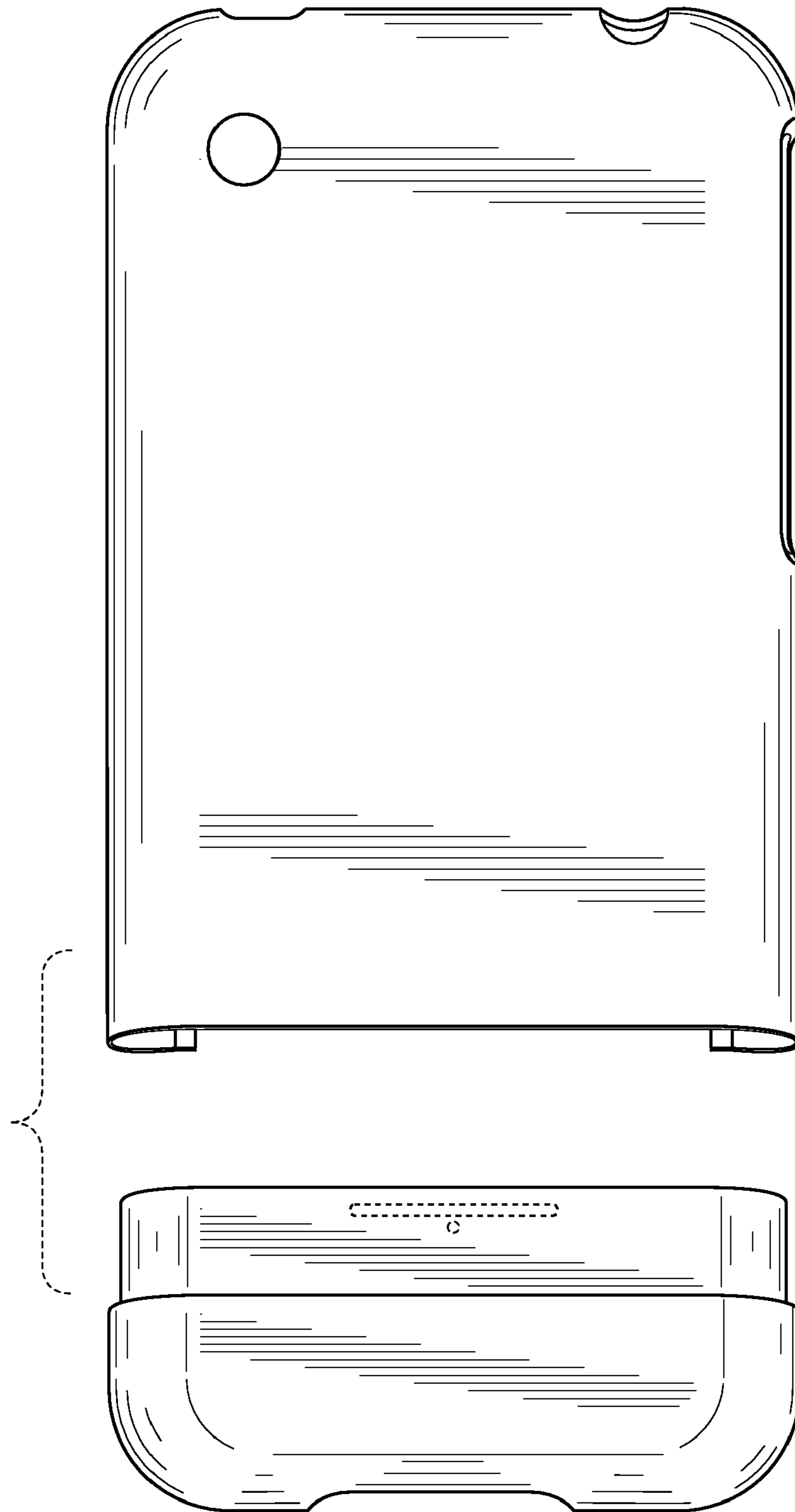
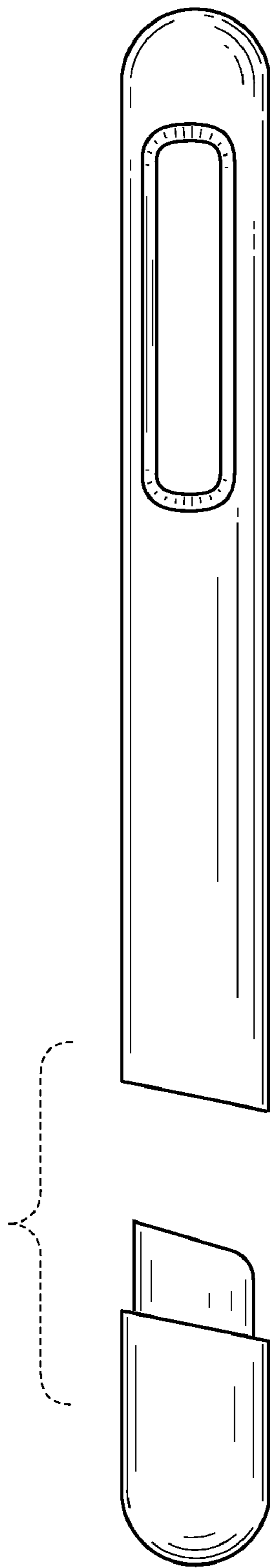


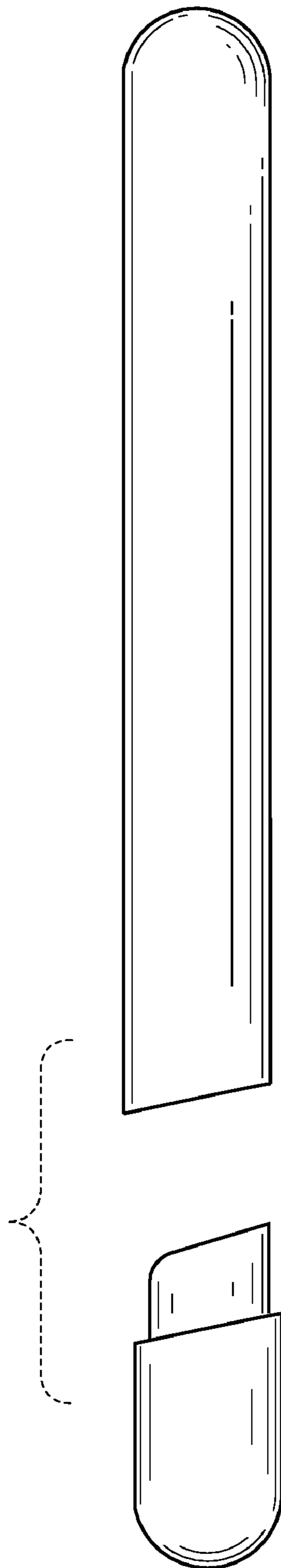
FIG. 9



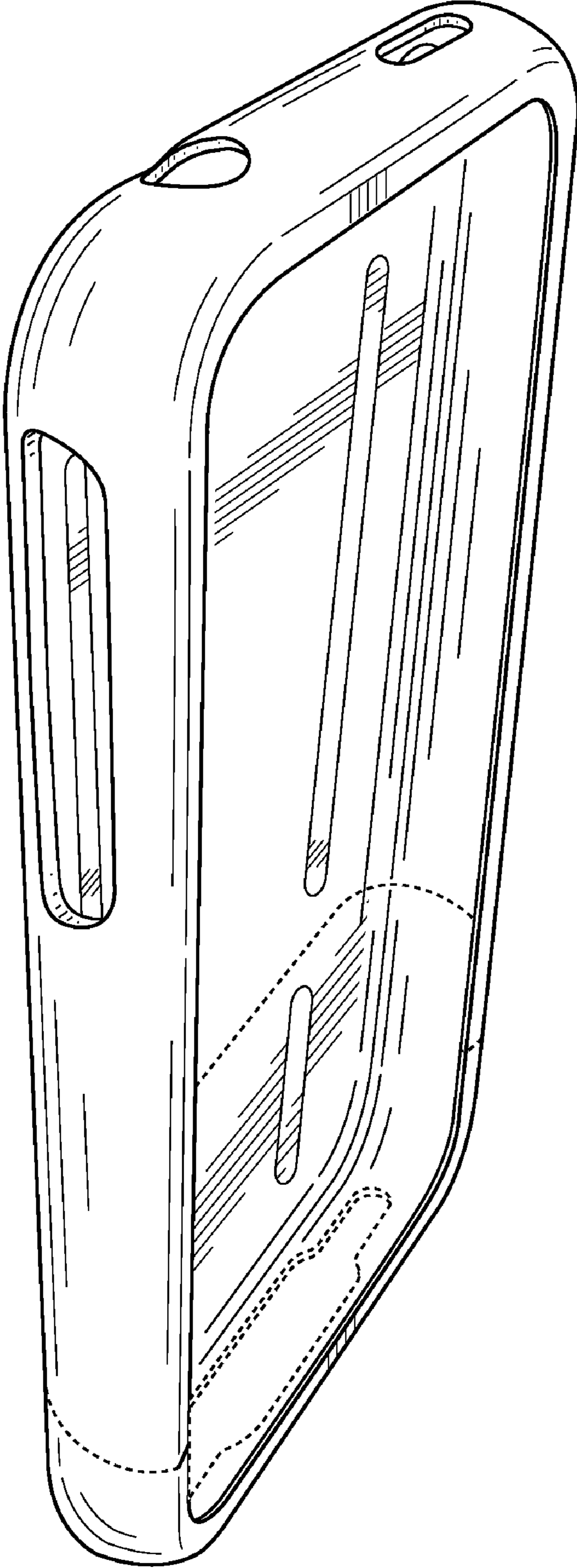
**FIG. 10**



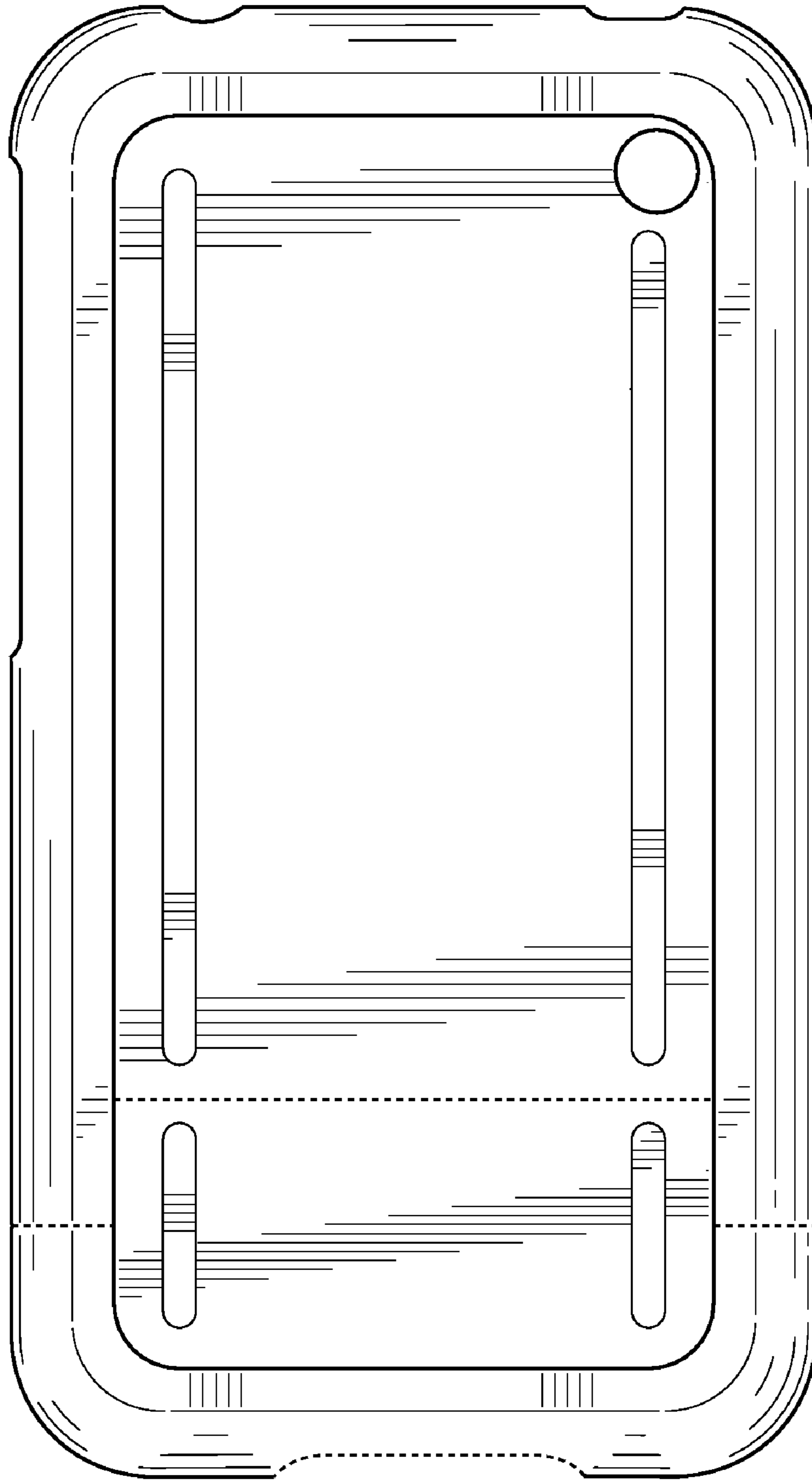
**FIG. 11**



**FIG. 12**

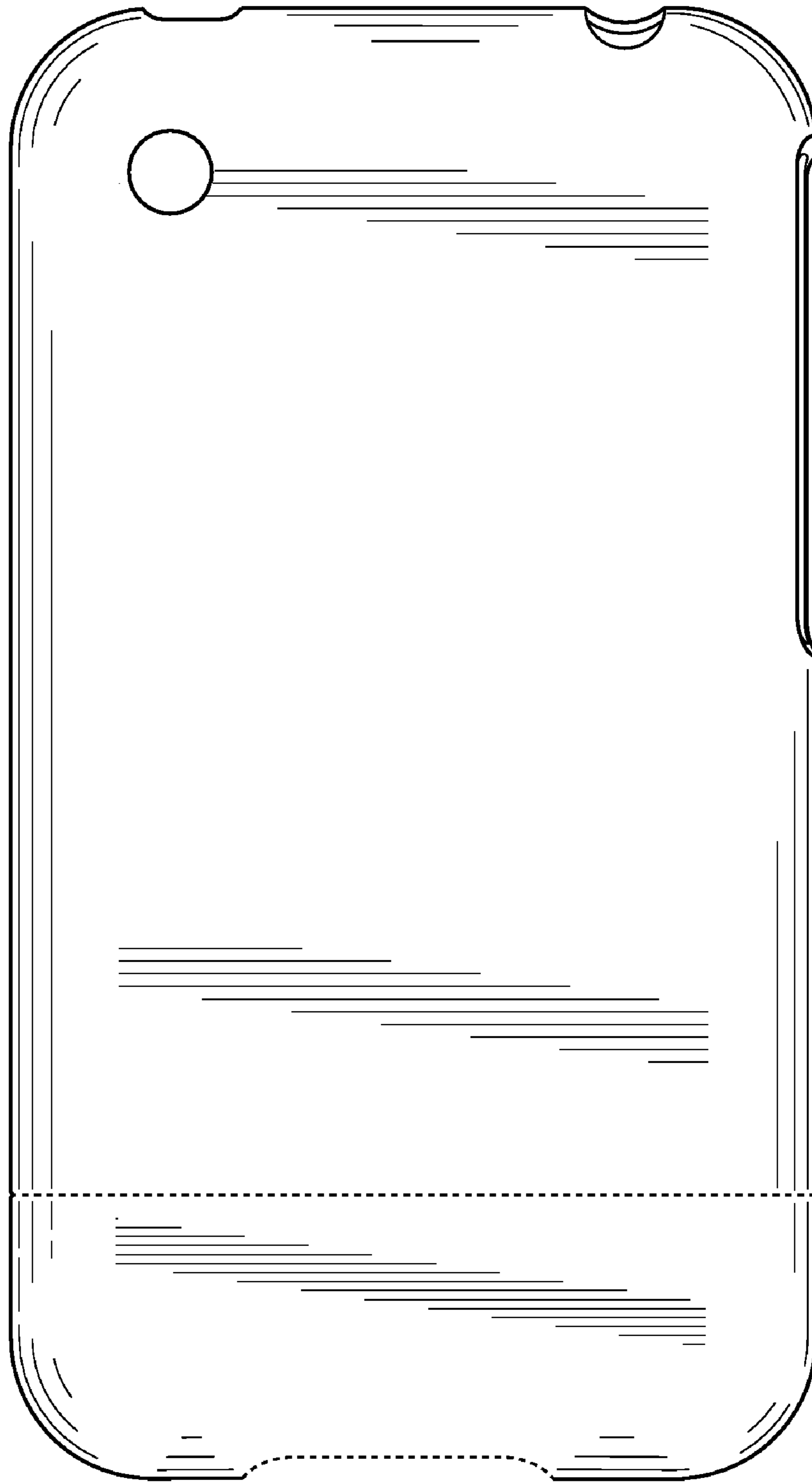


**FIG. 13**

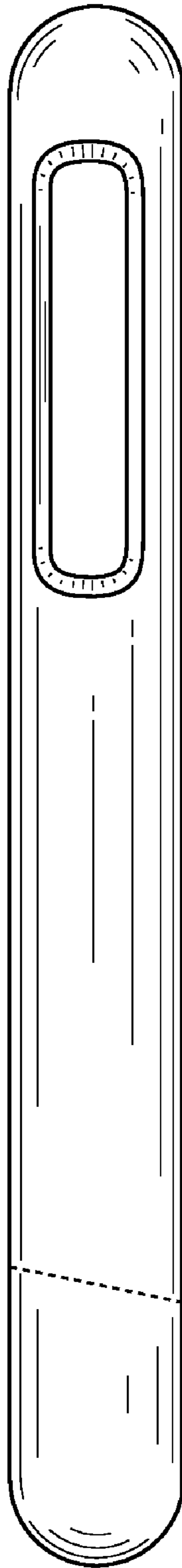


**FIG. 14**

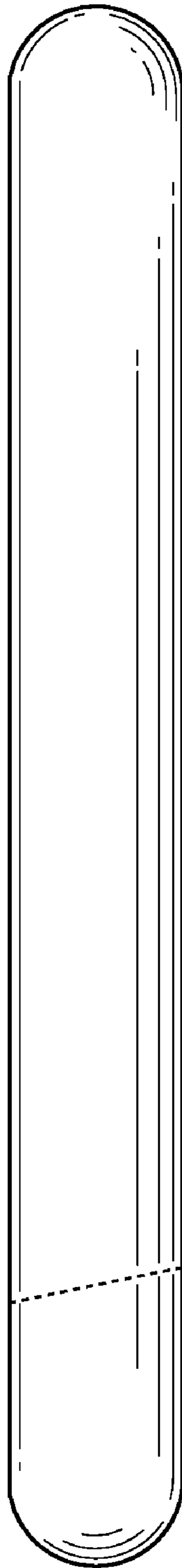




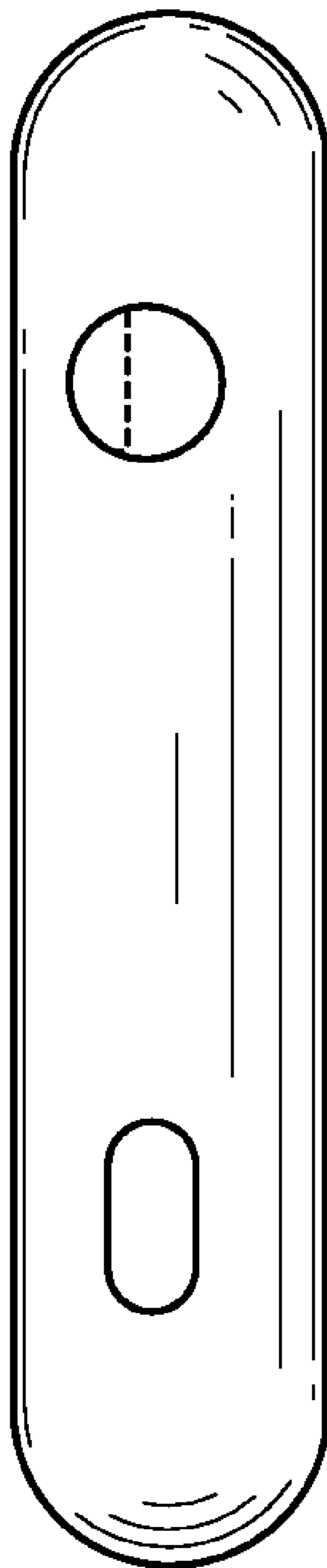
**FIG. 15**



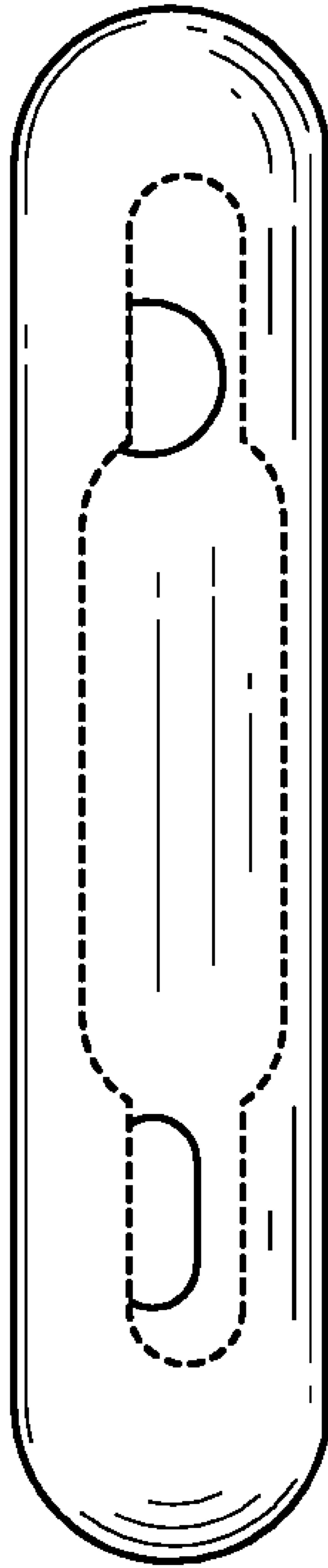
**FIG. 16**



**FIG. 17**



**FIG. 18**



**FIG. 19**

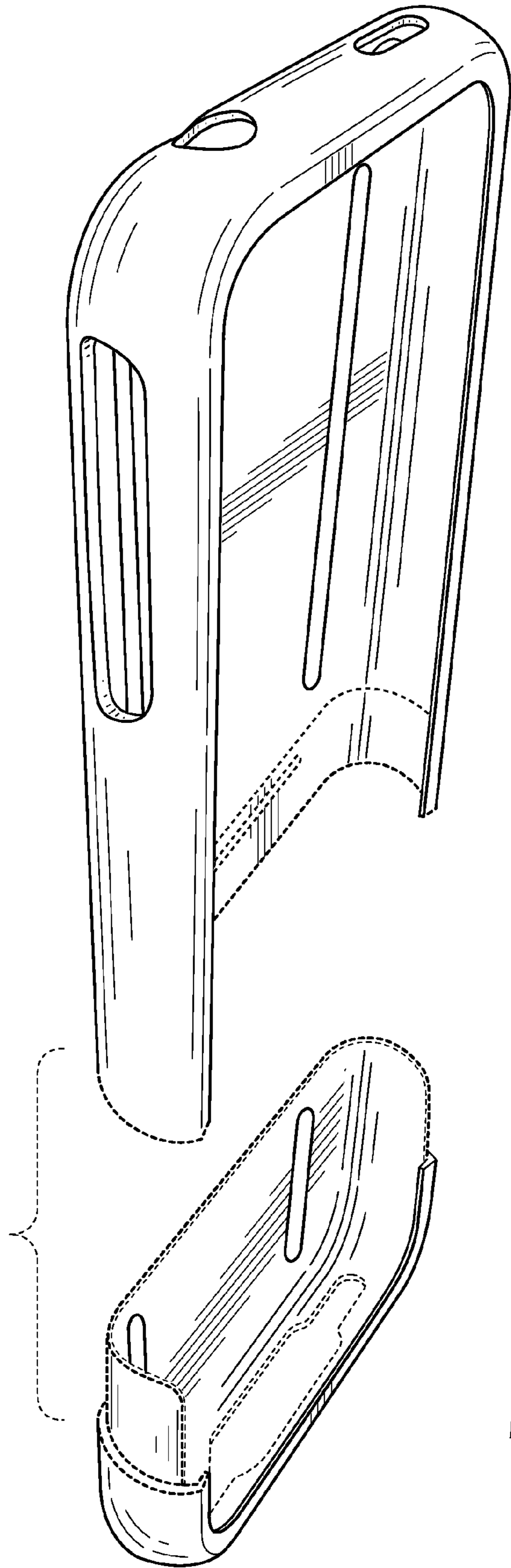
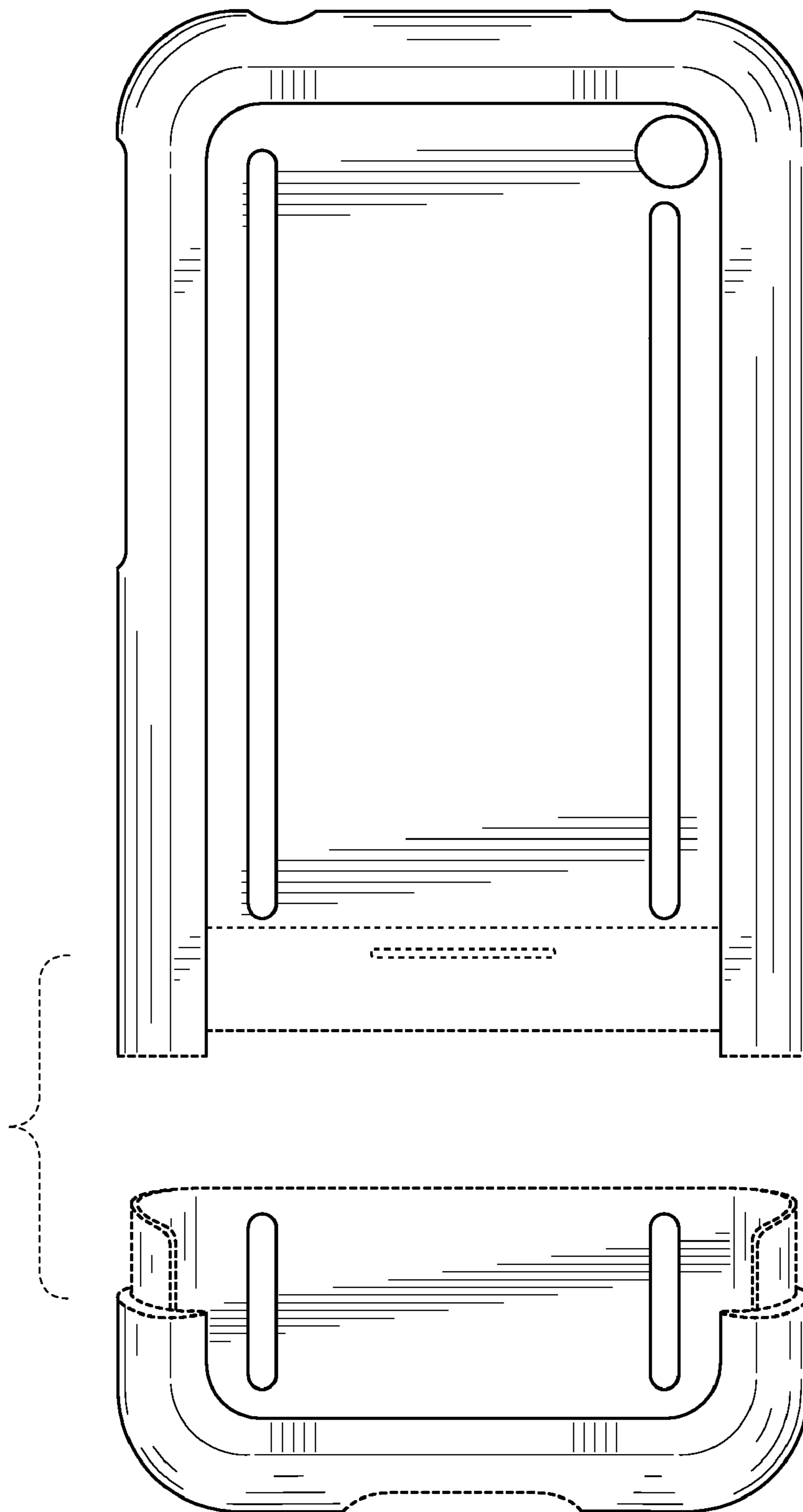
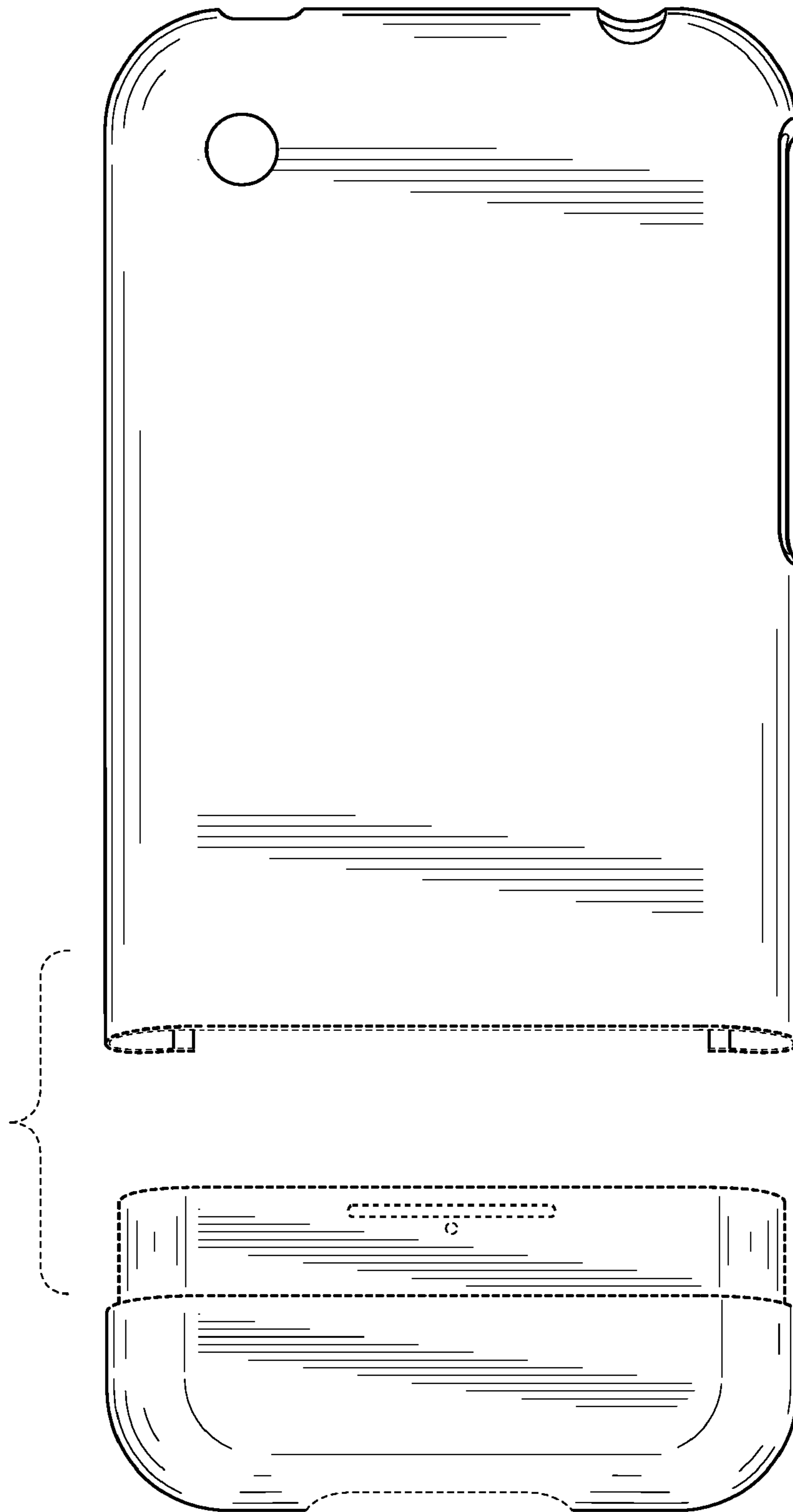


FIG. 20

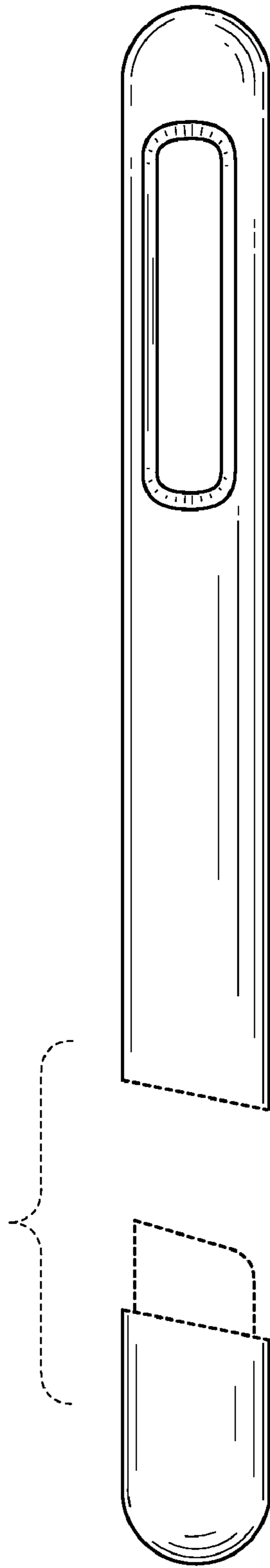


**FIG. 21**

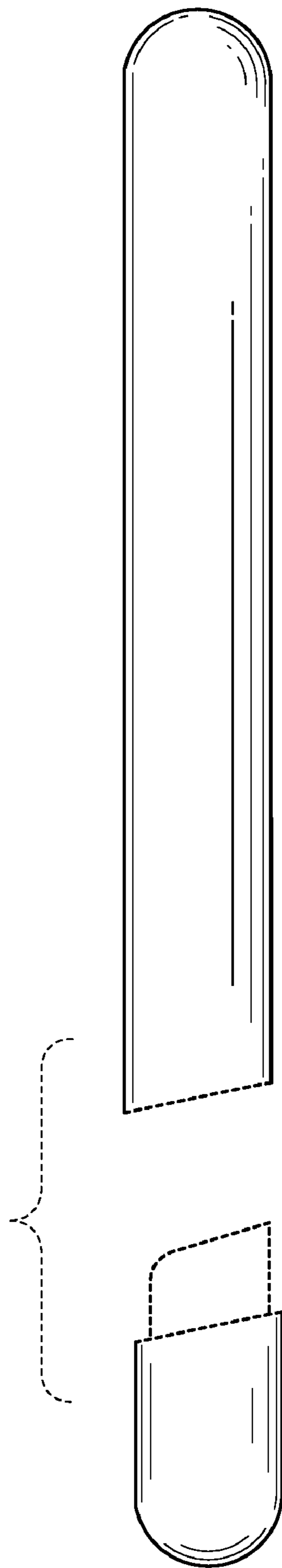


**FIG. 22**

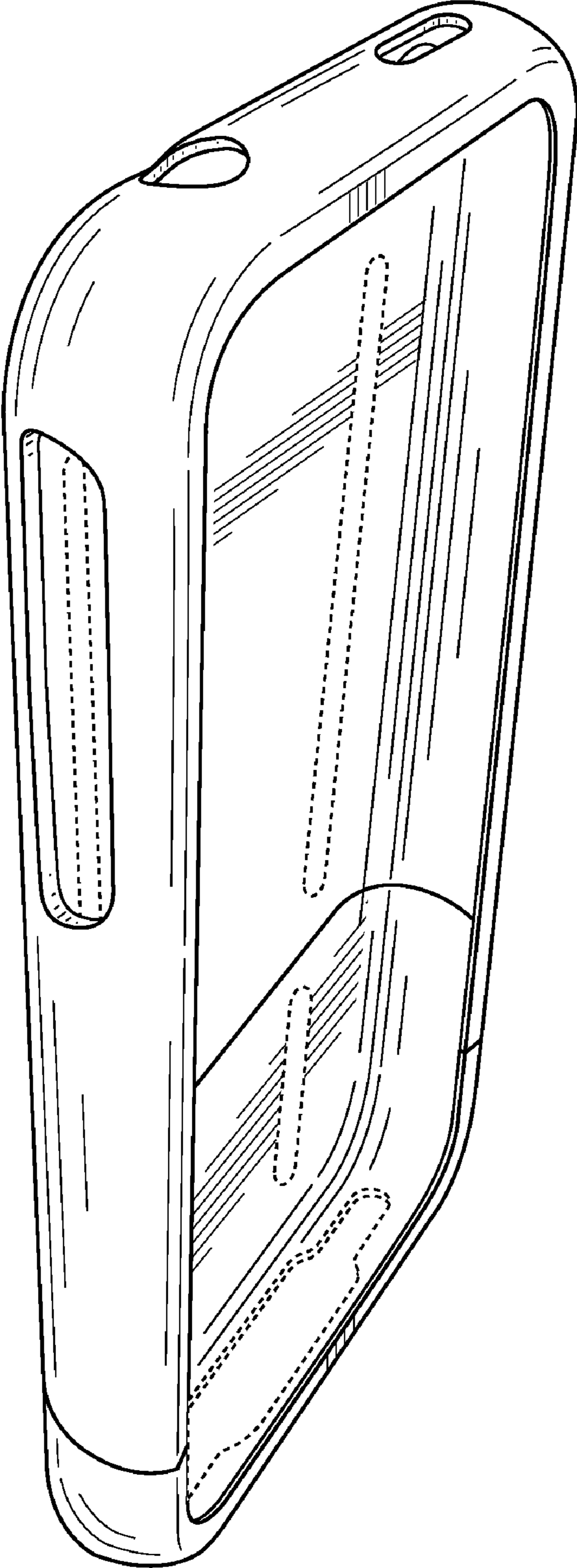




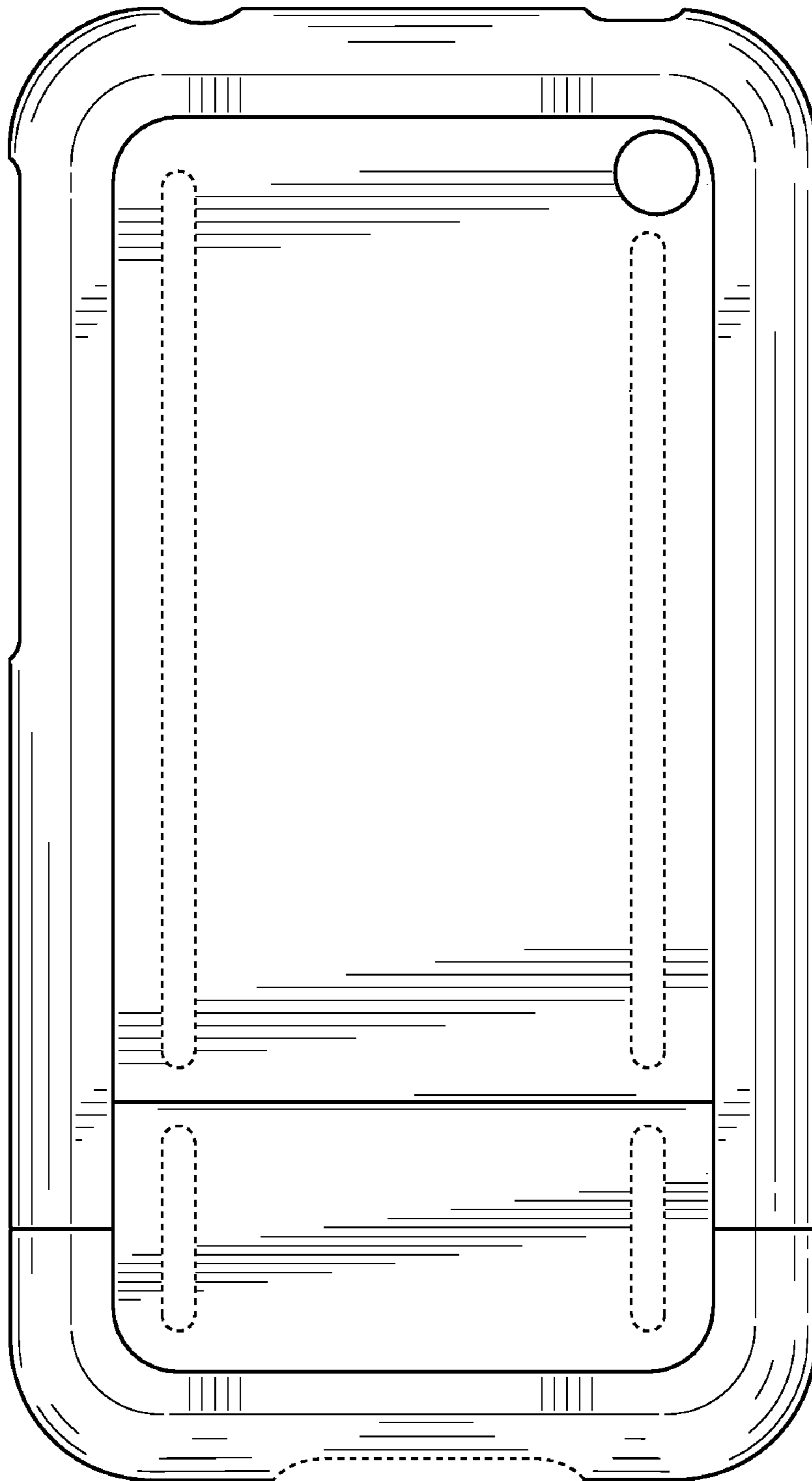
**FIG. 23**



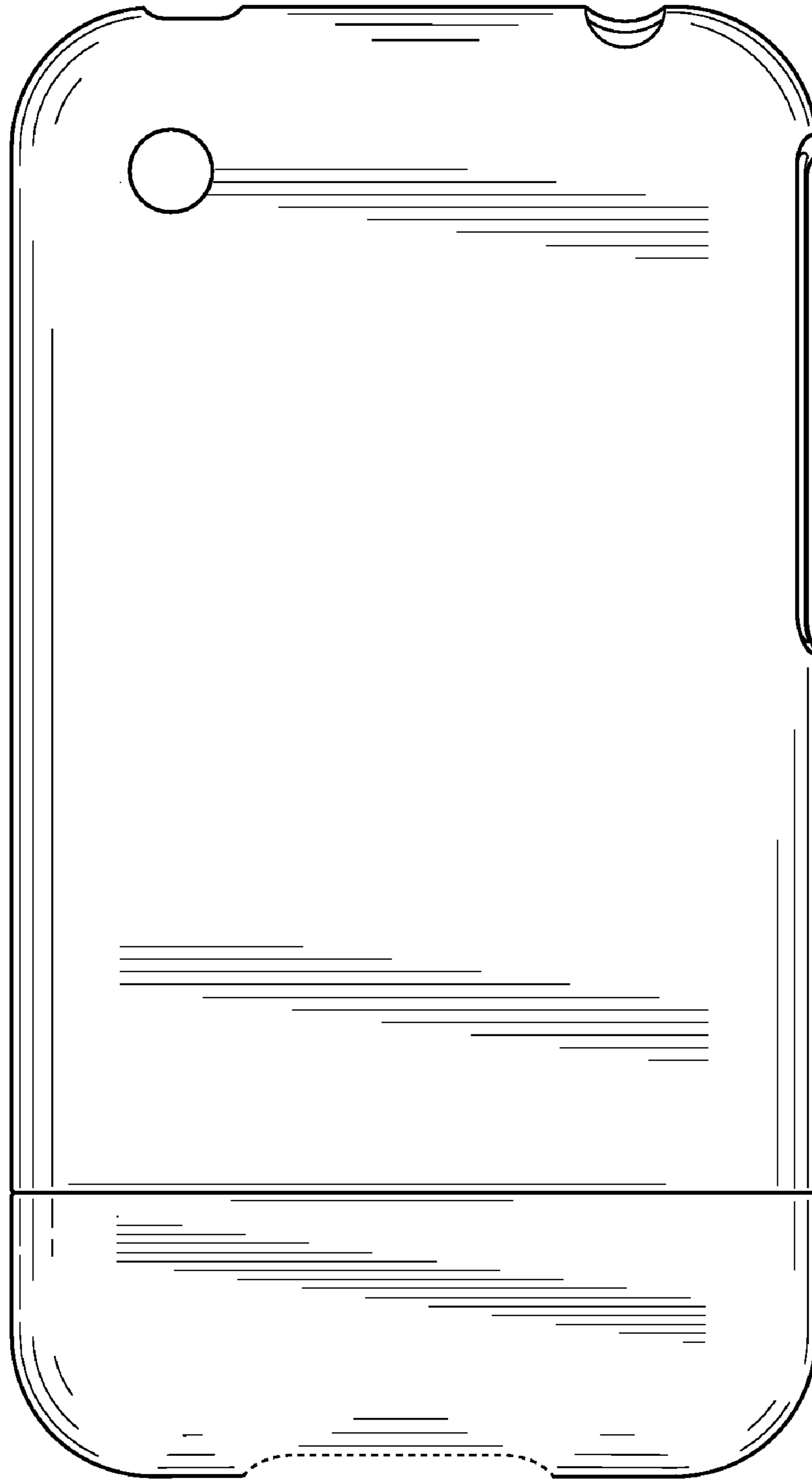
**FIG. 24**



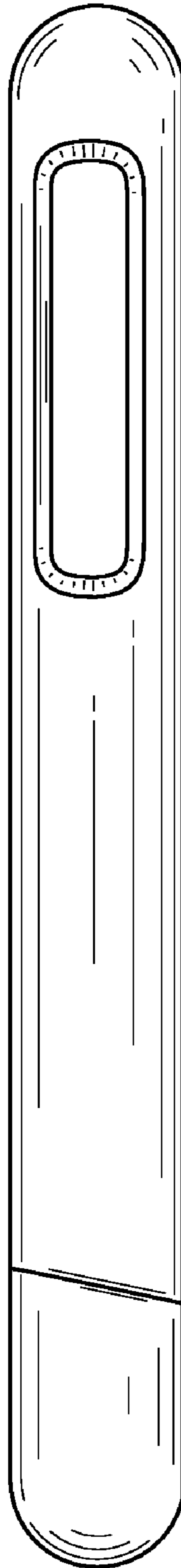
**FIG. 25**



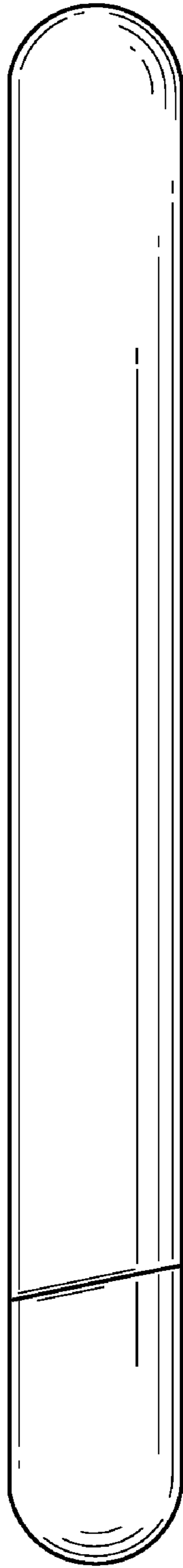
**FIG. 26**



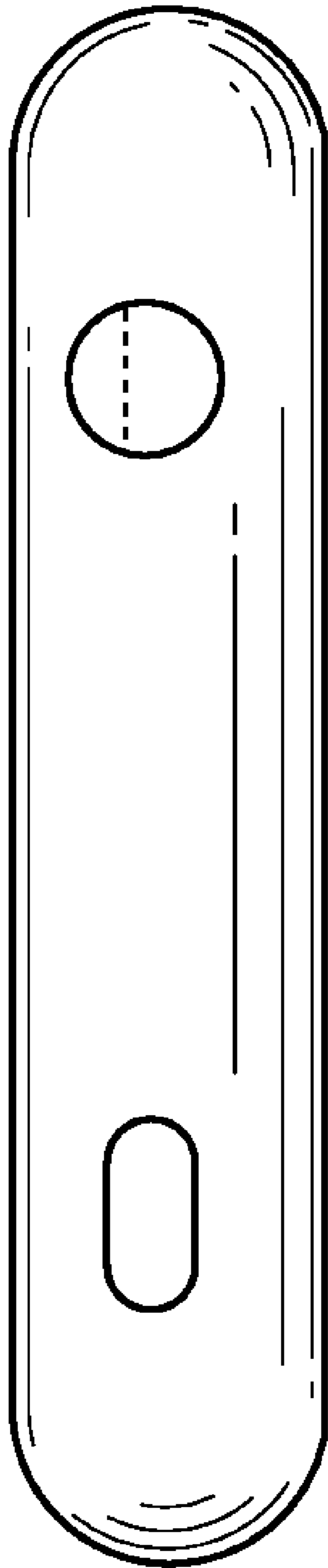
**FIG. 27**



**FIG. 28**

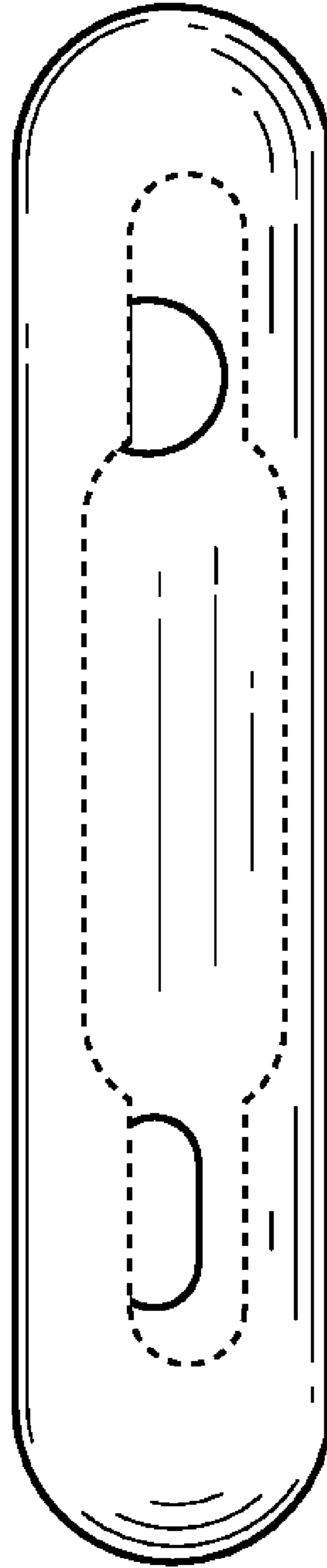


**FIG. 29**



**FIG. 30**





**FIG. 31**

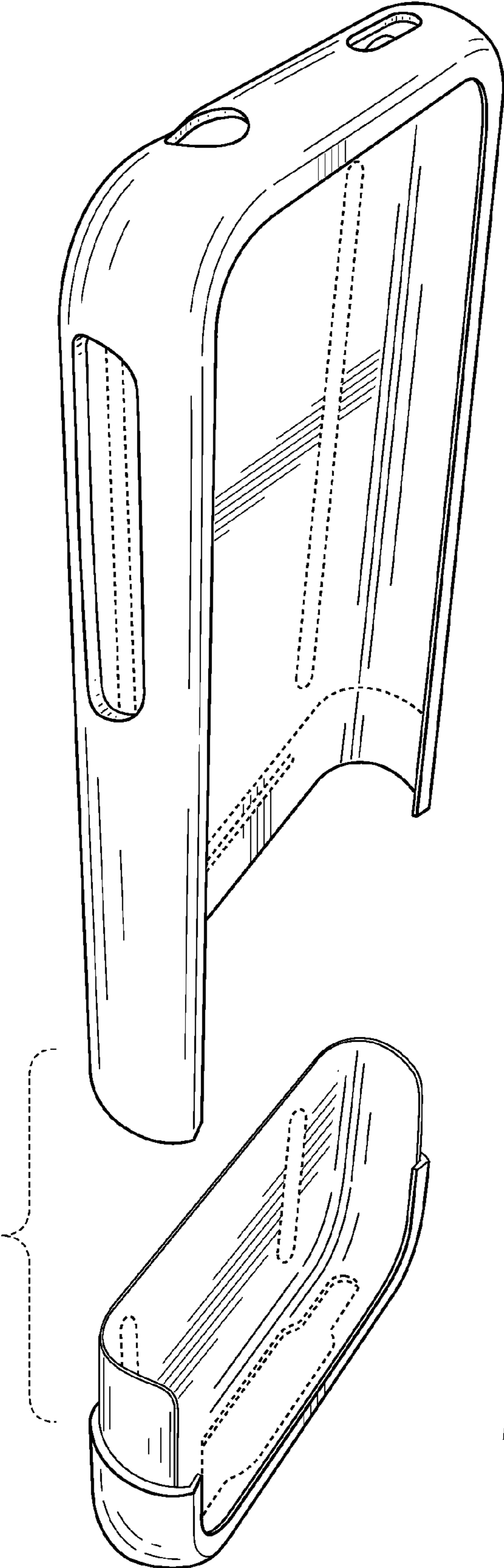
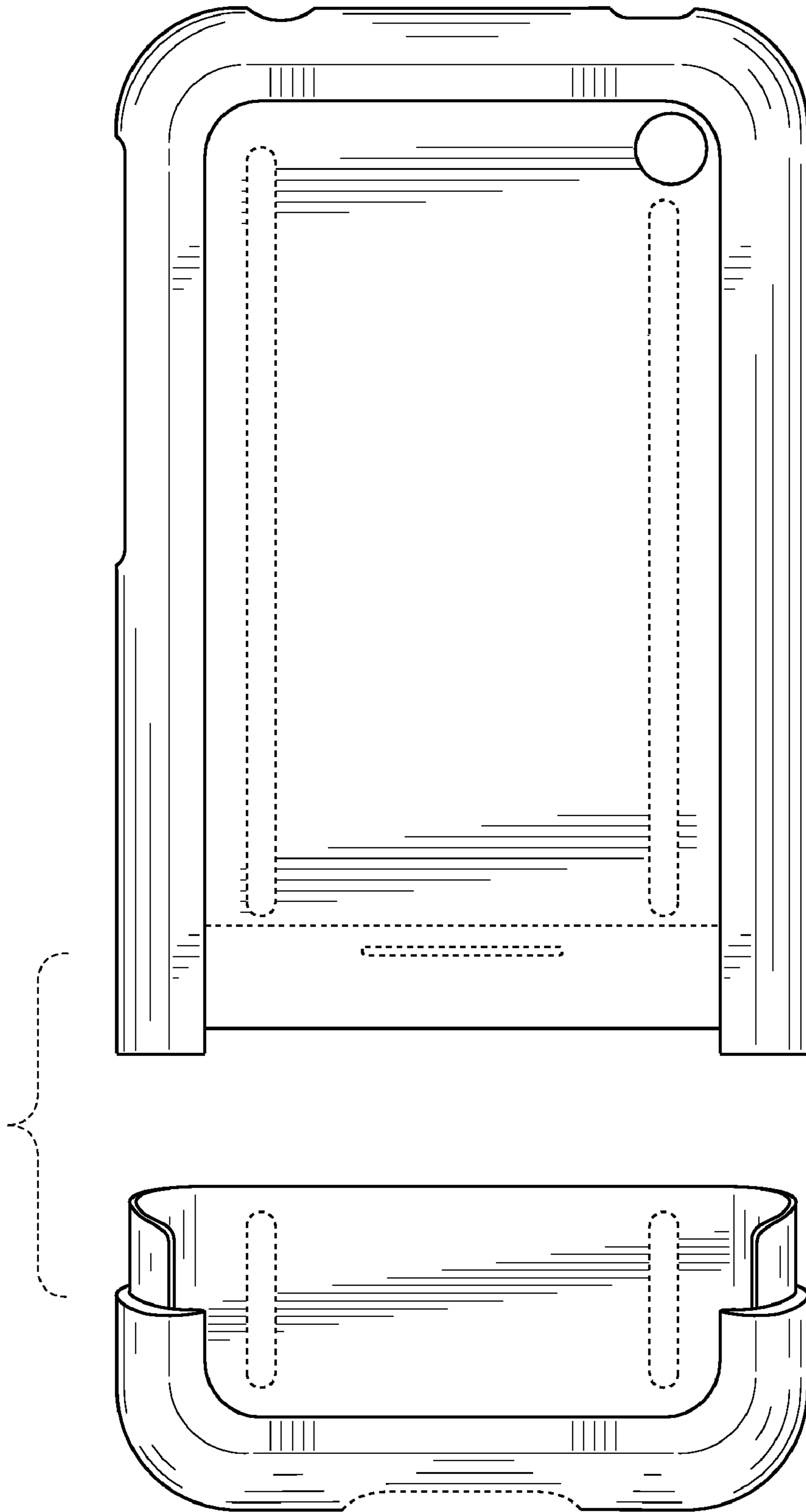
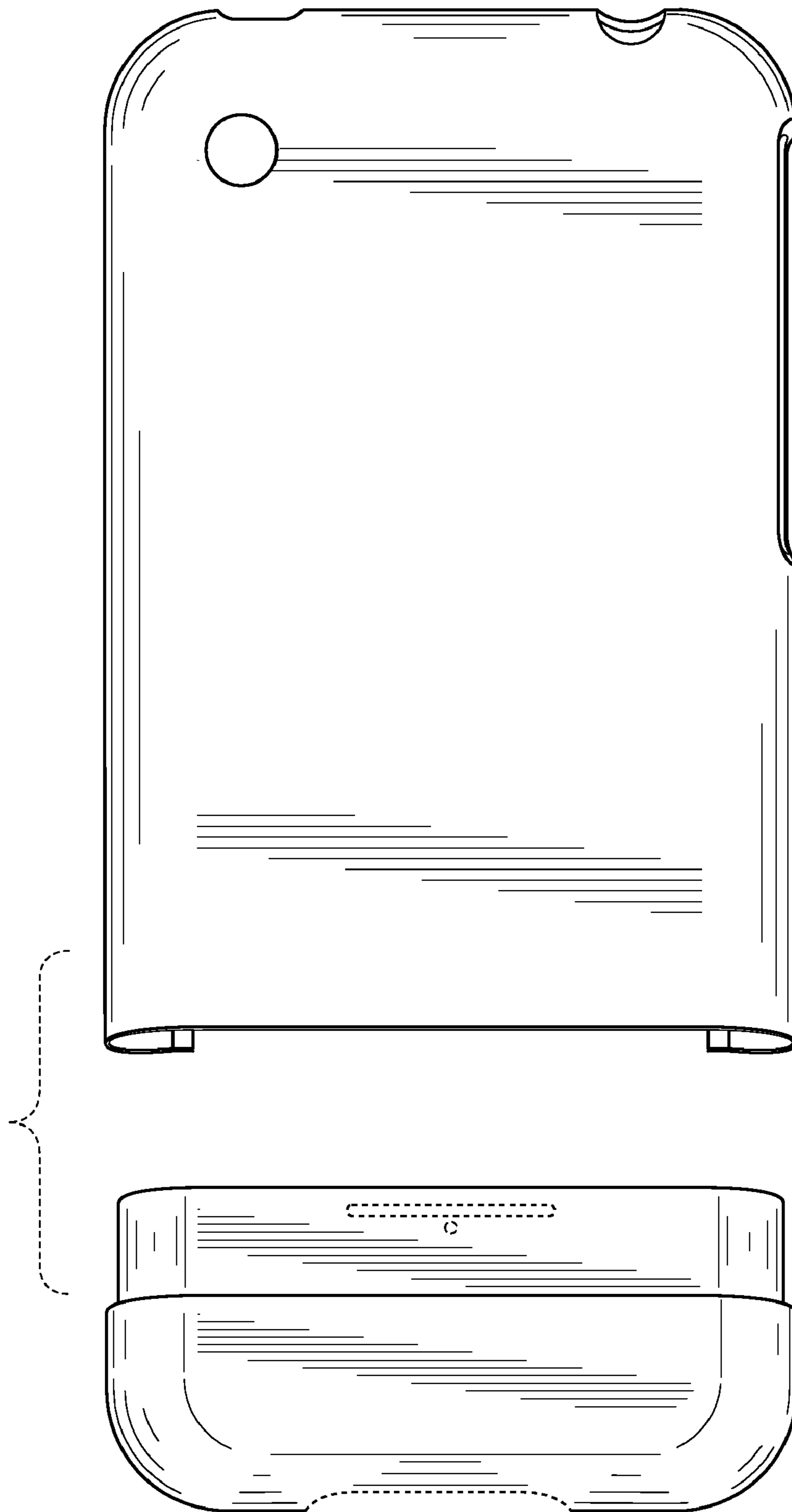


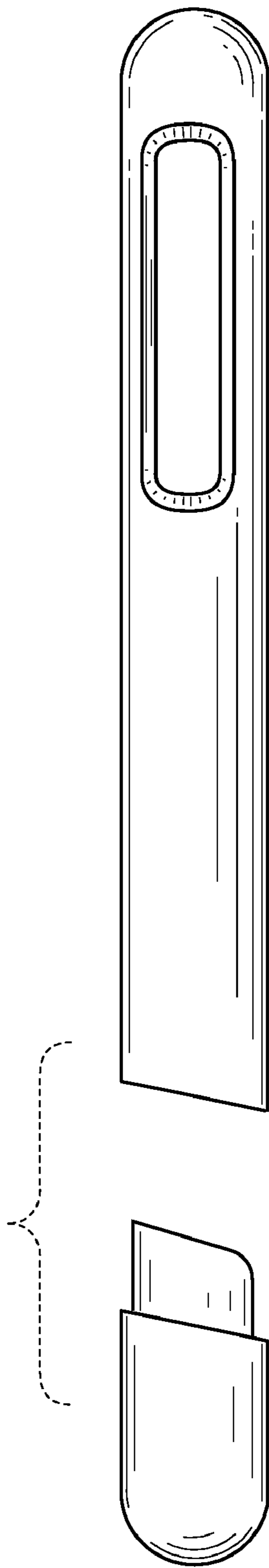
FIG. 32



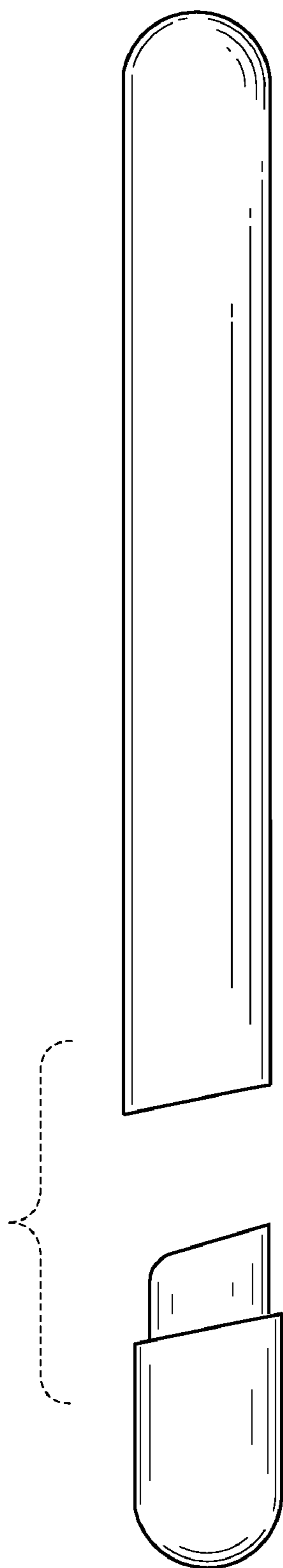
**FIG. 33**



**FIG. 34**



**FIG. 35**



**FIG. 36**