



US00D575054S

(12) **United States Design Patent**  
**Walcott**

(10) **Patent No.:** **US D575,054 S**  
(45) **Date of Patent:** **\*\* Aug. 19, 2008**

(54) **KEY HOLDER**

(76) Inventor: **Mark J. Walcott**, 3940 Laurel Canyon Blvd., #425, Studio City, CA (US) 91604

(\*\*) Term: **14 Years**

(21) Appl. No.: **29/283,349**

(22) Filed: **Aug. 10, 2007**

(51) **LOC (8) Cl.** ..... **03-01**

(52) **U.S. Cl.** ..... **D3/208**

(58) **Field of Classification Search** ..... D3/207-212;  
D11/31-33, 44, 48-51, 66; 70/456 R, 456 B,  
70/457-460; 24/3.6; D13/168; 362/116;  
D8/348

See application file for complete search history.

(56) **References Cited**

U.S. PATENT DOCUMENTS

D56,116 S	8/1920	Berry et al.	
D105,901 S	8/1937	Schwartz	
2,769,331 A *	11/1956	Ellenbogen	70/456 R
D210,800 S *	4/1968	Brinkman	D3/212
4,358,225 A	10/1982	Rodgers	
5,083,662 A *	1/1992	Bishop et al.	206/37.1
5,181,605 A	1/1993	Bishop et al.	
D352,600 S *	11/1994	Steeley	D3/208
5,383,343 A	1/1995	Thach	

5,577,403 A	11/1996	Steeley	
D378,631 S *	4/1997	Parker	D3/208
6,089,060 A *	7/2000	Steeley	70/456 R
6,766,809 B2	7/2004	Brattesani et al.	

\* cited by examiner

*Primary Examiner*—R. Seifert

(57) **CLAIM**

The ornamental design for a key holder, as shown and described.

**DESCRIPTION**

FIG. 1 is an illustration of the key holder from a perspective view.

FIG. 2 is an illustration of the key holder from a top view.

FIG. 3 is an illustration of the key holder from a side view.

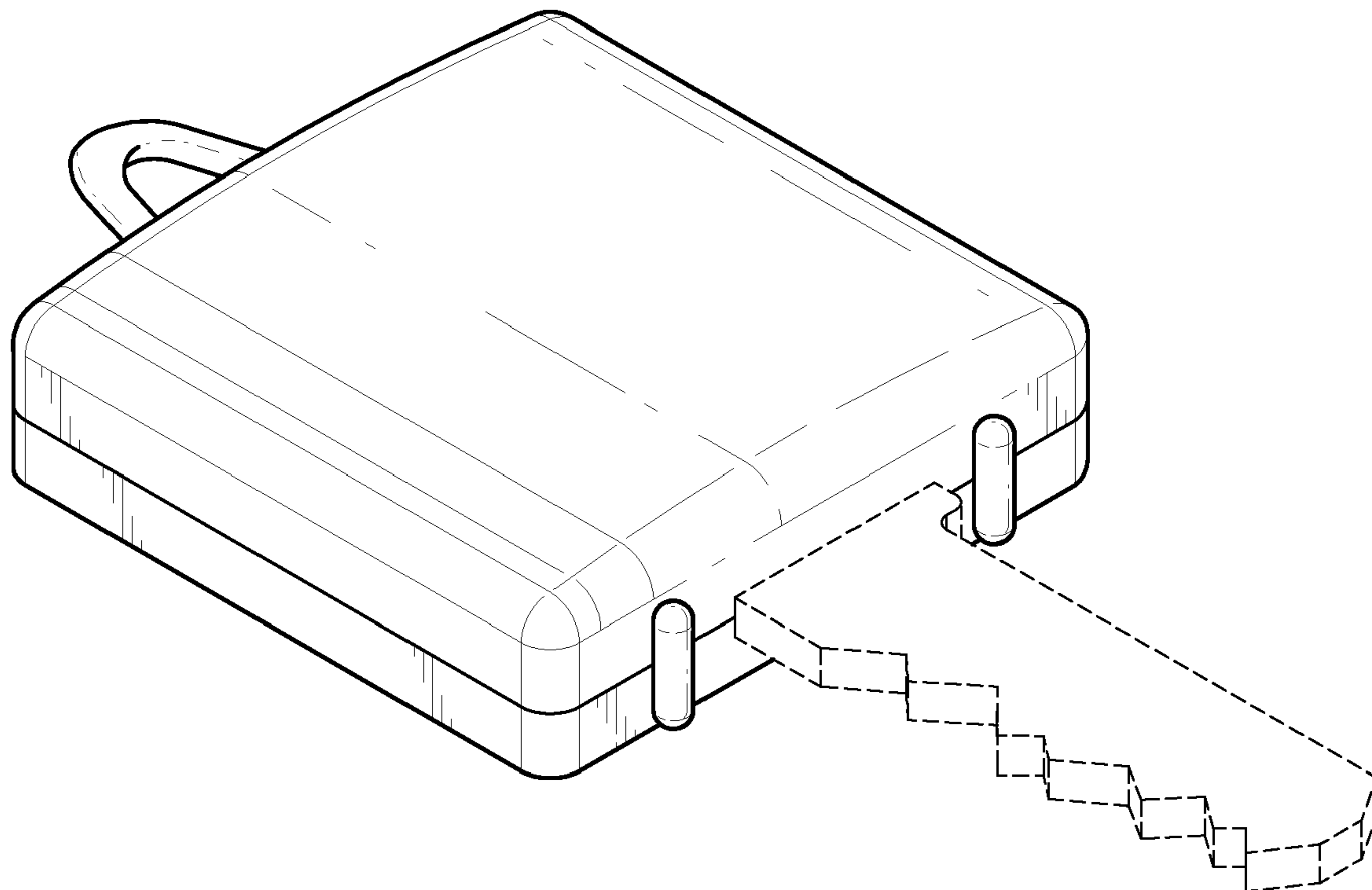
FIG. 4 is an illustration of the key holder from a bottom view.

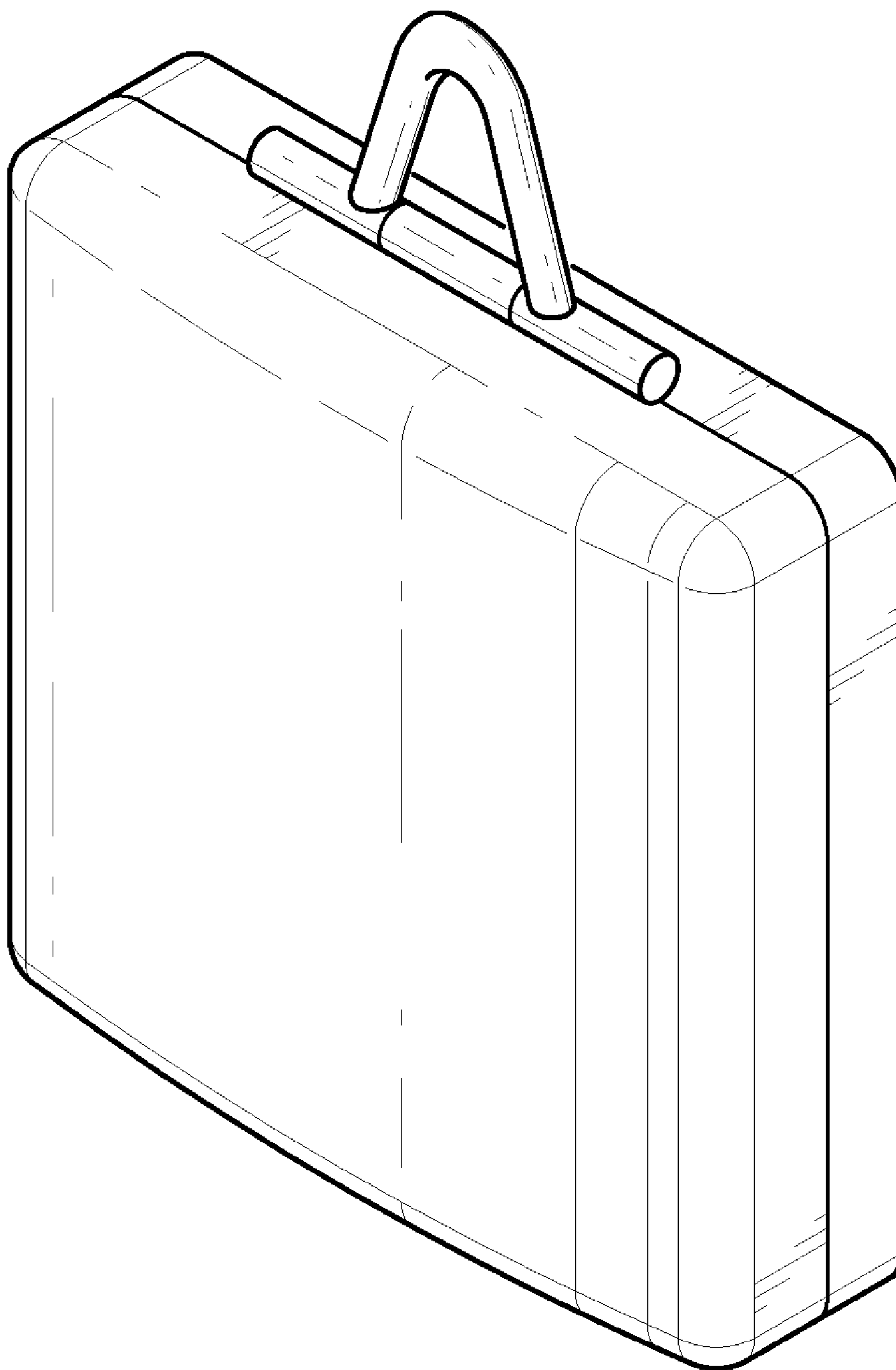
FIG. 5 is an illustration of the key holder from a perspective view while opened; and,

FIG. 6 is an illustration of the key holder from a perspective view while closed.

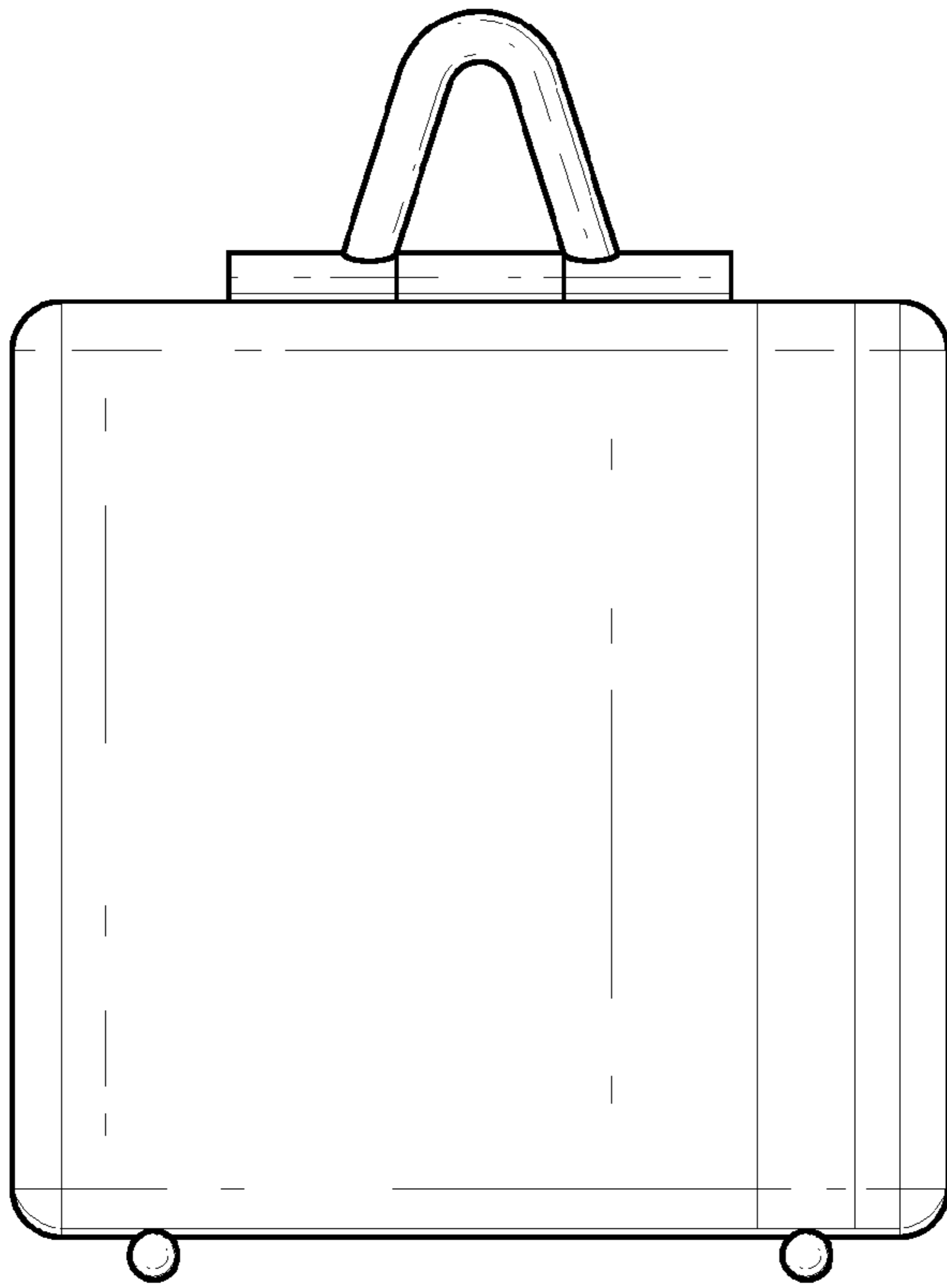
It being understood that the broken lines in FIGS. 5 and 6 are for illustrative purposes only and form no part of the claimed design.

**1 Claim, 5 Drawing Sheets**

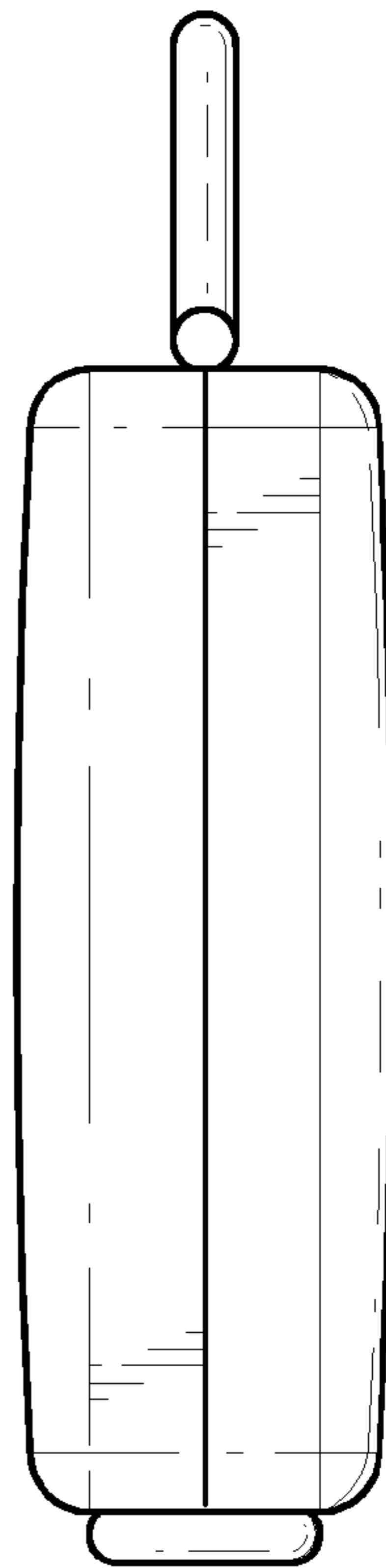




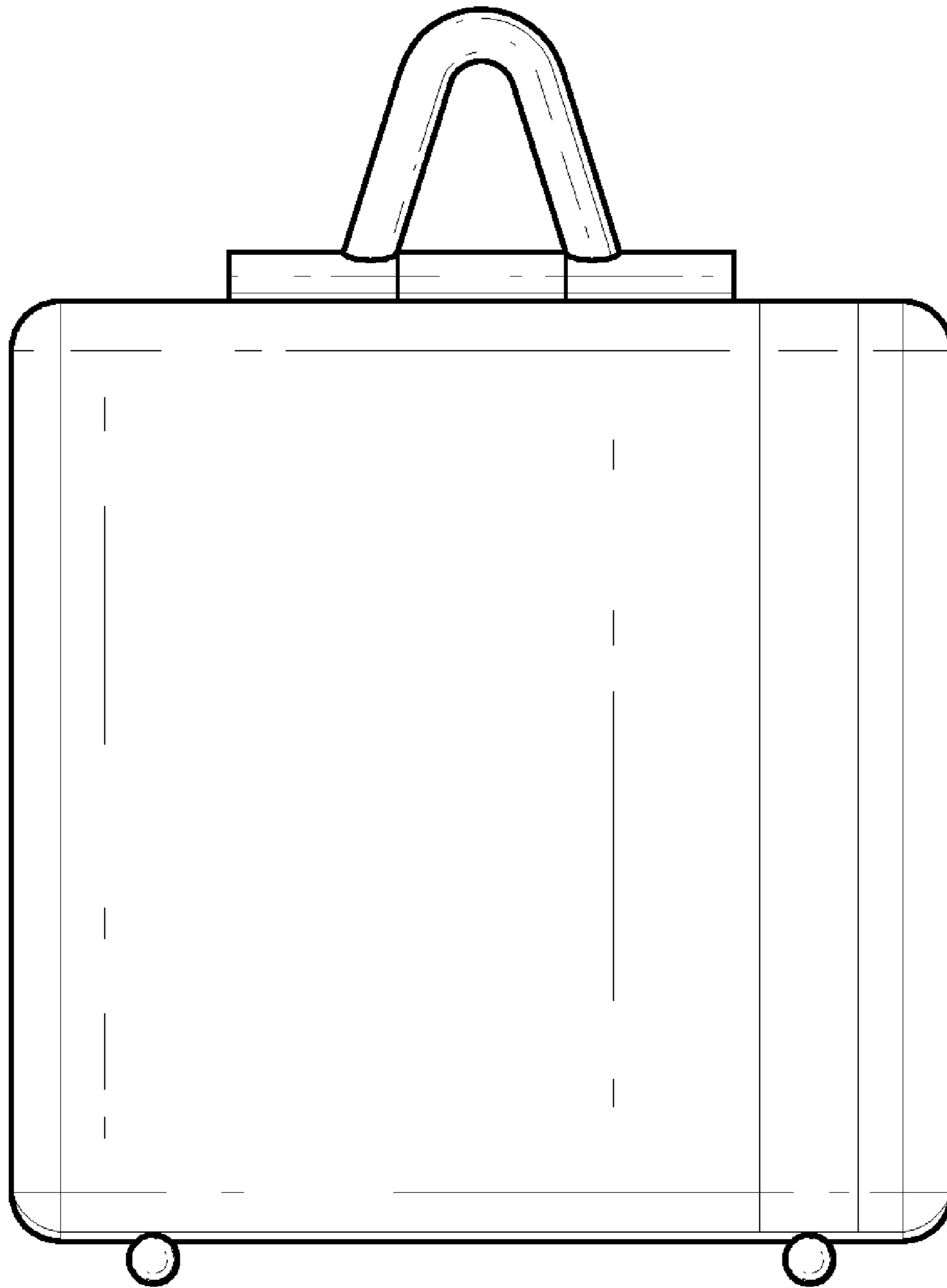
*FIG. 1*



*FIG. 2*



*FIG. 3*



*FIG. 4*

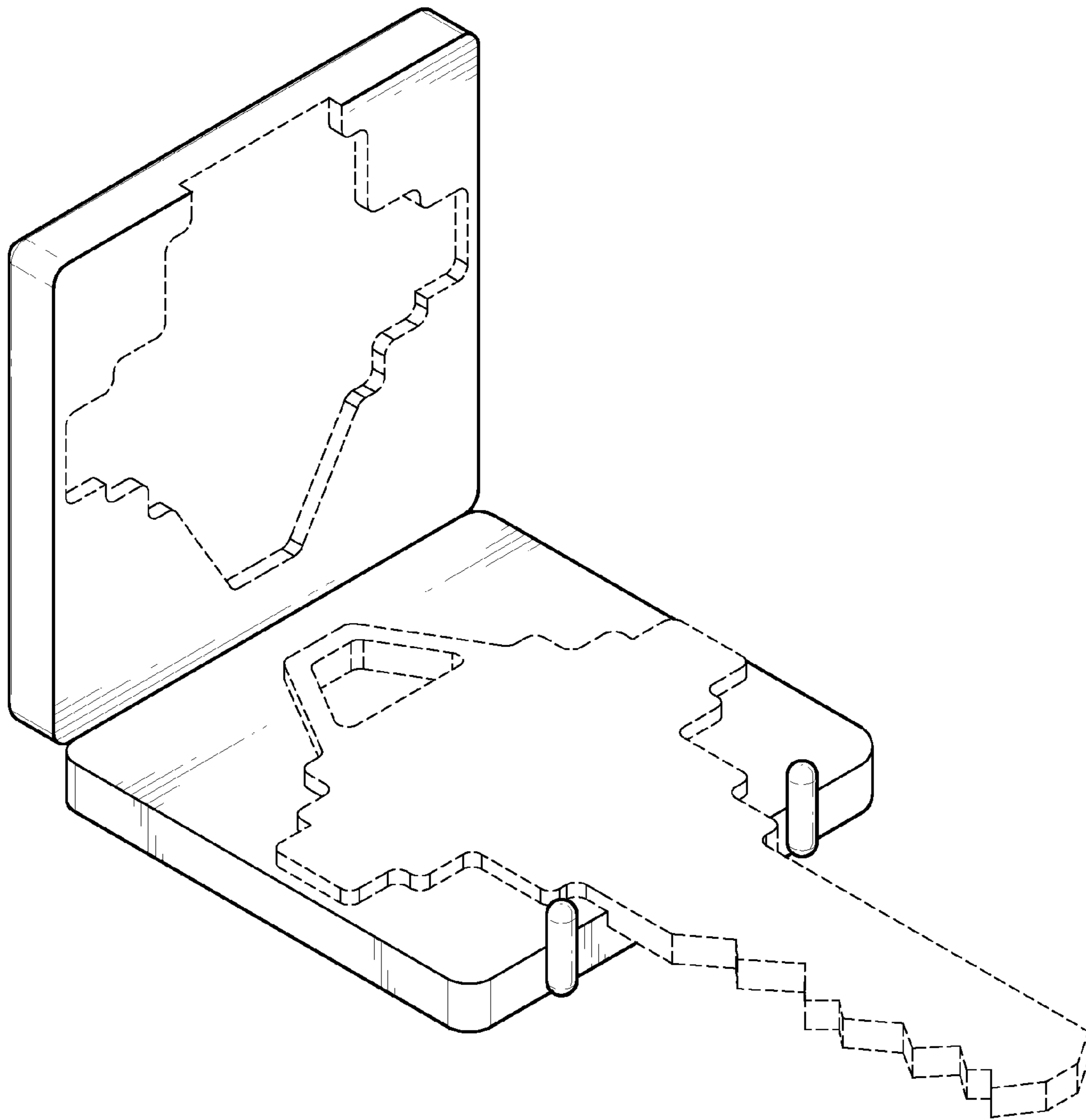


FIG. 5

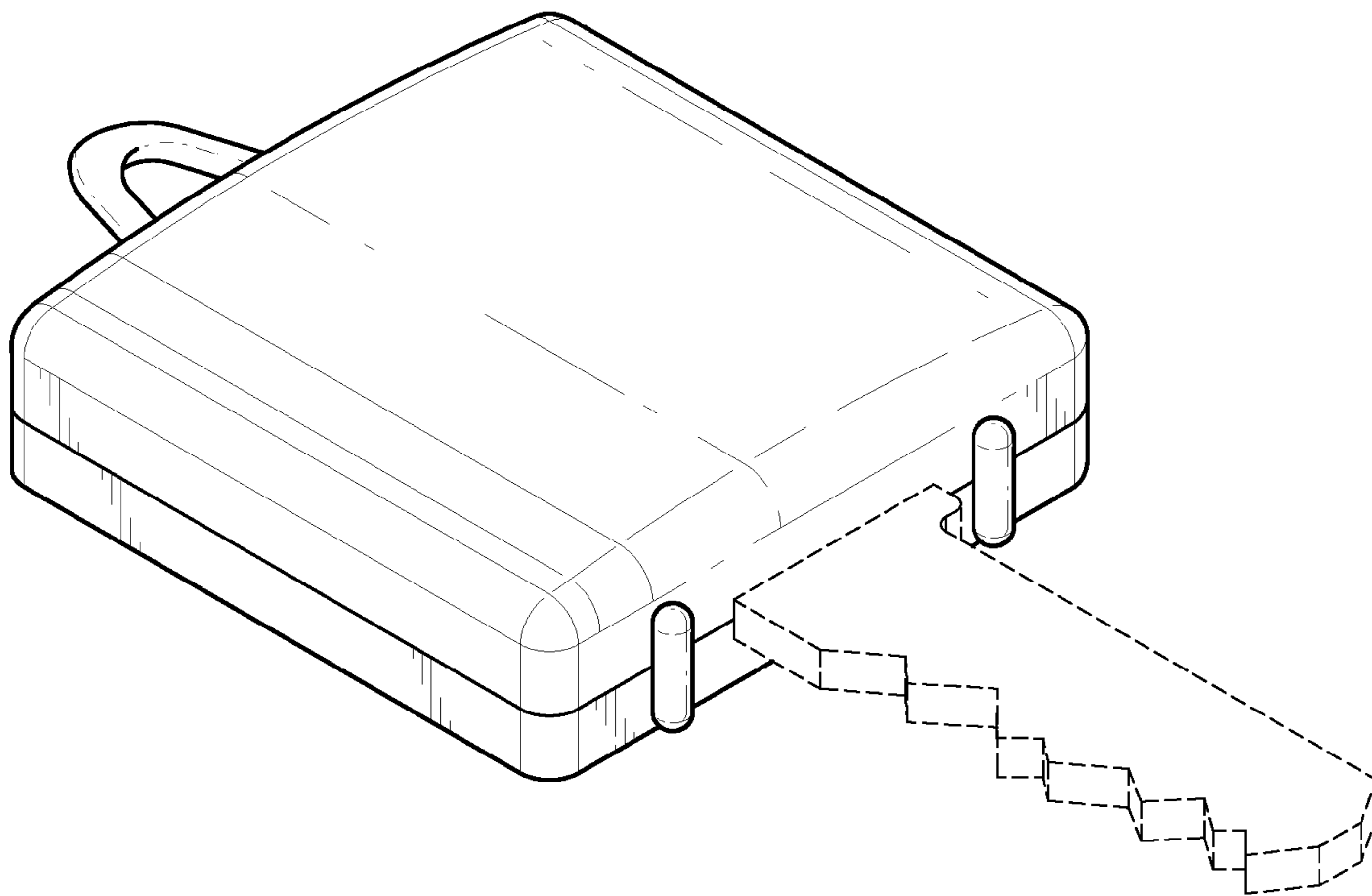


FIG. 6