



US00D575049S

(12) **United States Design Patent**
Weitzman

(10) **Patent No.:** **US D575,049 S**

(45) **Date of Patent:** **** Aug. 19, 2008**

(54) **WOMAN'S SHOE**

D544,683 S * 6/2007 Choi D2/971
D550,942 S 9/2007 Choi
D553,840 S 10/2007 Weitzman

(75) Inventor: **Stuart Weitzman**, Greenwich, CT (US)

(73) Assignee: **Stuart Weitzman IP, LLC**, Ft. Lauderdale, FL (US)

(**) Term: **14 Years**

(21) Appl. No.: **29/318,000**

(22) Filed: **May 12, 2008**

(51) **LOC (8) Cl.** **02-99**

(52) **U.S. Cl.** **D2/969; D2/916**

(58) **Field of Classification Search** D2/896,
D2/900, 907, 916, 917, 924, 925, 943, 946,
D2/969, 972-974; 36/1.5, 3 A, 8.1, 11.5,
36/113-115, 126-131, 45

See application file for complete search history.

(56) **References Cited**

U.S. PATENT DOCUMENTS

D93,598 S	1/1934	Apt	
D92,000 S	4/1934	Heibrunn	
D92,149 S	5/1934	Miller	
1,964,705 A	6/1934	Pellkofer	
D93,597 S	10/1934	Apt	
D94,527 S	2/1935	Apt	
D97,677 S	12/1935	Goldberg	
D97,788 S	12/1935	Starr	
D98,357 S	1/1936	Liberty	
D141,114 S	5/1945	Gordon	
D166,025 S	2/1952	Braun	
D167,737 S	9/1952	Braun	
D169,717 S *	5/1953	White	D2/916
D170,513 S *	9/1953	Simon	D2/932
D278,948 S *	5/1985	Foldes	D2/932
D304,126 S *	10/1989	Christian et al.	D2/916
RE35,452 E	2/1997	Sargeant	
D448,146 S	9/2001	Jacobs	
D495,855 S	9/2004	Comeau	
D504,996 S	5/2005	Dal Magro et al.	
D513,846 S *	1/2006	Choi	D2/971
D534,713 S *	1/2007	Weitzman	D2/929
D544,192 S *	6/2007	Choi	D2/971

OTHER PUBLICATIONS

Ladies Shoe sold by Stuart Weitzman, LLC under the trademark Amazin.

Ladies Shoe sold by Stuart Weitzman, LLC under the trademark Approval.

Ladies Shoe sold by Stuart Weitzman, LLC under the trademark Chainletter.

Ladies Shoe sold by Stuart Weitzman, LLC under the trademark Dynasty.

Ladies Shoe sold by Stuart Weitzman, LLC under the trademark Esteem.

(Continued)

Primary Examiner—Stella M. Reid

Assistant Examiner—Rashida C McCoy

(74) *Attorney, Agent, or Firm*—Amster Rothstein & Ebenstein LLP

(57) **CLAIM**

The ornamental design for a woman's shoe, as shown and described.

DESCRIPTION

FIG. 1 is a perspective view of a woman's shoe showing our new design;

FIG. 2 is a front end view thereof;

FIG. 2 is a front view thereof;

FIG. 3 is a back view thereof;

FIG. 4 is a right side view thereof;

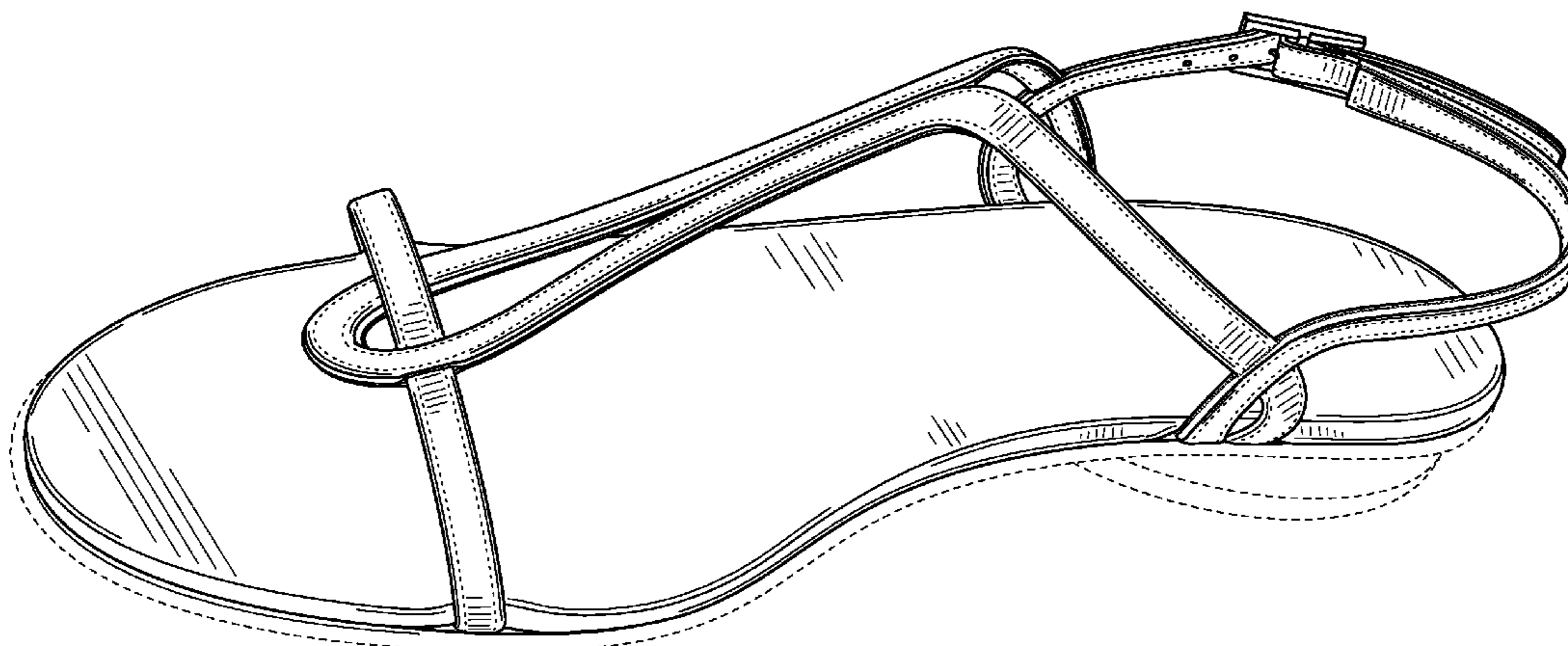
FIG. 5 is a left side view thereof;

FIG. 6 is a top plan view thereof; and,

FIG. 7 is a bottom plan view thereof.

The broken line showing of sole and heel is included for the purpose of illustrating environmental structure and forms no part of the claimed design.

1 Claim, 6 Drawing Sheets



OTHER PUBLICATIONS

Ladies Shoe sold by Stuart Weitzman, LLC under the trademark Gloesteem.

Ladies Shoe sold by Stuart Weitzman, LLC under the trademark Glopop.

Ladies Shoe sold by Stuart Weitzman, LLC under the trademark Interchange.

Ladies Shoe sold by Stuart Weitzman, LLC under the trademark Itsybitsy.

Ladies Shoe sold by Stuart Weitzman, LLC under the trademark Karaoke.

Ladies Shoe sold by Stuart Weitzman, LLC under the trademark Matty.

Ladies Shoe sold by Stuart Weitzman, LLC under the trademark Monogram.

Ladies Shoe sold by Stuart Weitzman, LLC under the trademark Parabow.

Ladies Shoe sold by Stuart Weitzman, LLC under the trademark Paradise.

Ladies Shoe sold by Stuart Weitzman, LLC under the trademark Playdate.

Ladies Shoe sold at <http://www.zappos.com/n/p/p/7363629.html>, last visited on Apr. 29, 2008.

Ladies Shoe sold at <http://www.zappos.com/n/p/dp/33875285/c/941.html>, last visited on Apr. 29, 2008.

Ladies Shoe sold at <http://www.shoemall.com/product/Aerosoles-Womens-Soul-Mate-Sandal-Silver-145432>, last visited on Apr. 29, 2008.

Ladies Shoe sold at <http://www.shoemall.com/product/Corso-Como-Womens-Fair-Sandal-Silver-145934>, last visited on Apr. 29, 2008.

Ladies Shoe sold at http://www.jildorshoes.com/product.cfm/hurl/Patio_Gold_Patent/PI=51397, last visited on Apr. 29, 2008.

Ladies Shoe sold at http://www.jildorshoes.com/product.cfm/hurl/Patio_Black_Patent/PI=51838, last visited on Apr. 29, 2008.

* cited by examiner

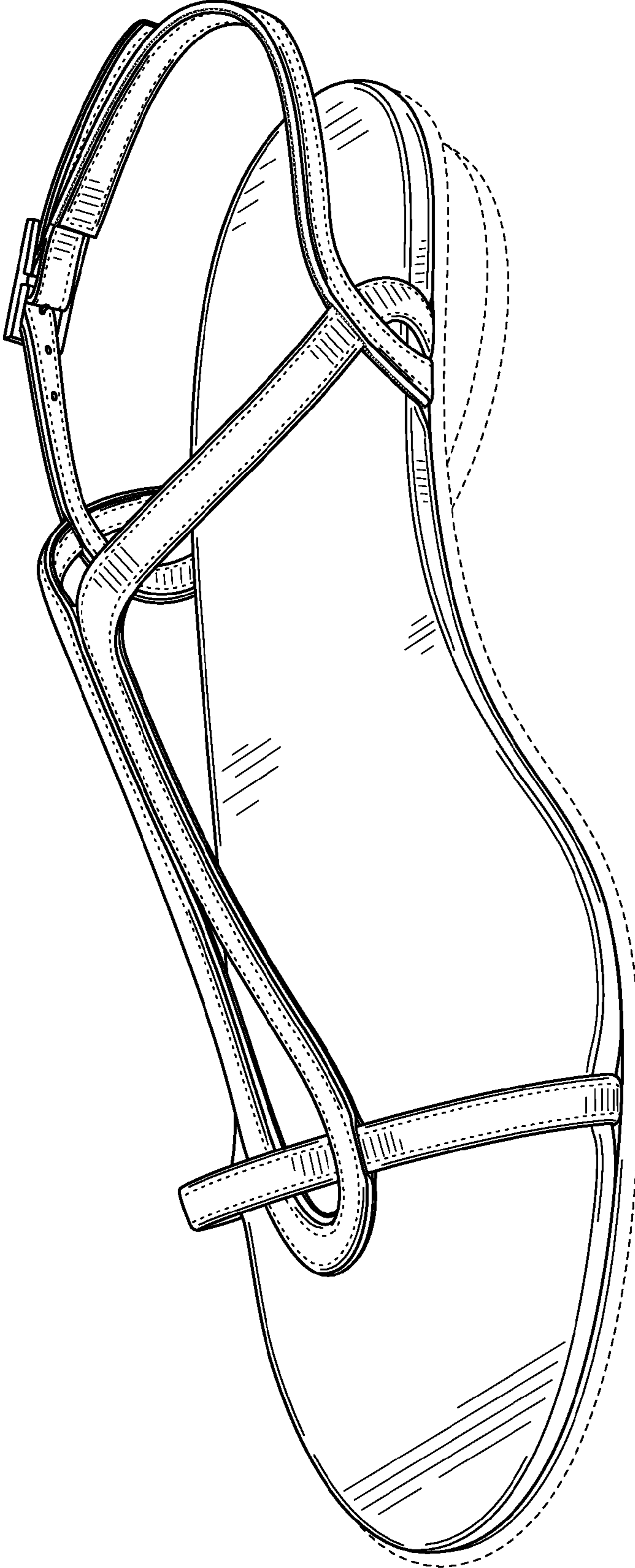


FIG. 1

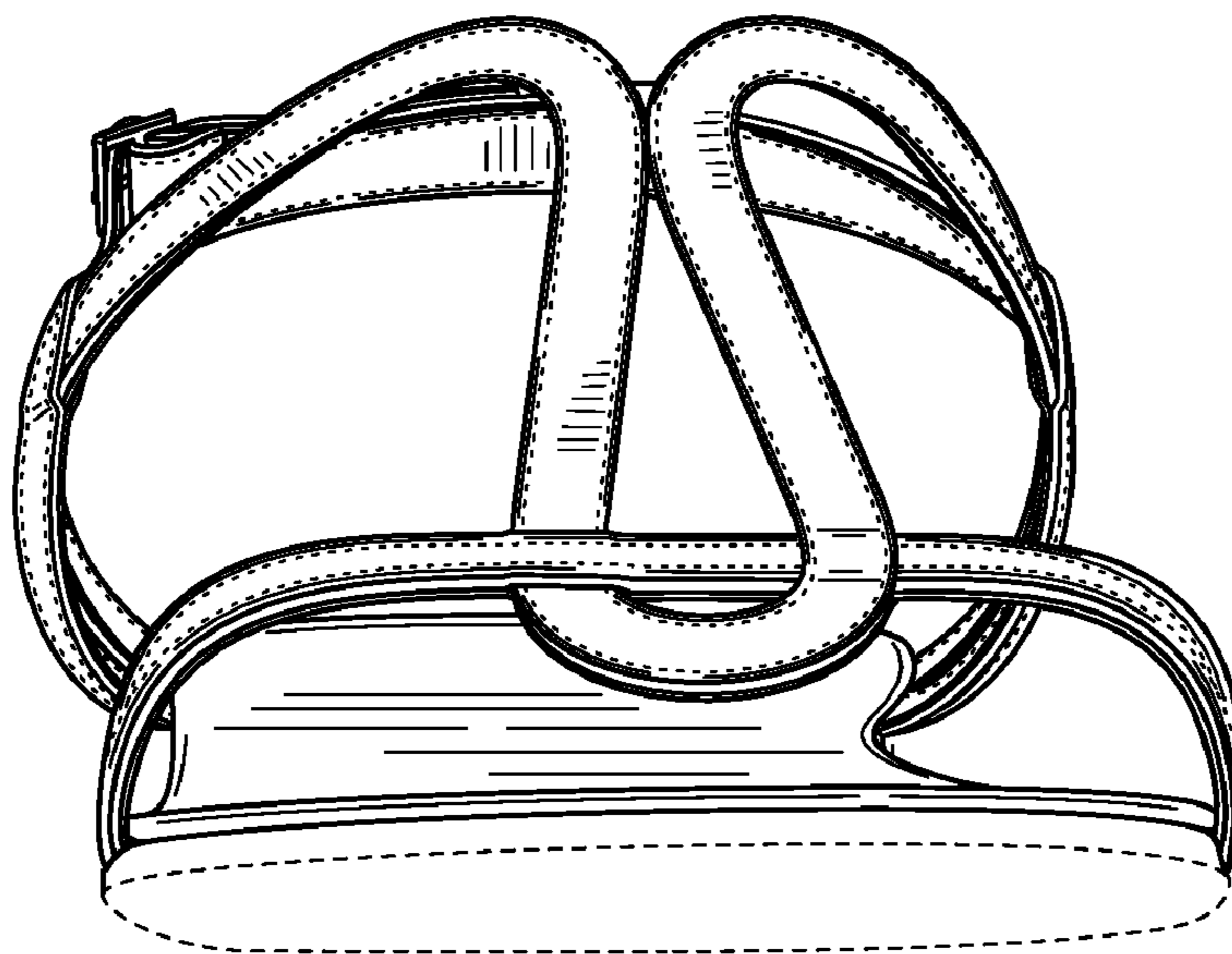


FIG. 2

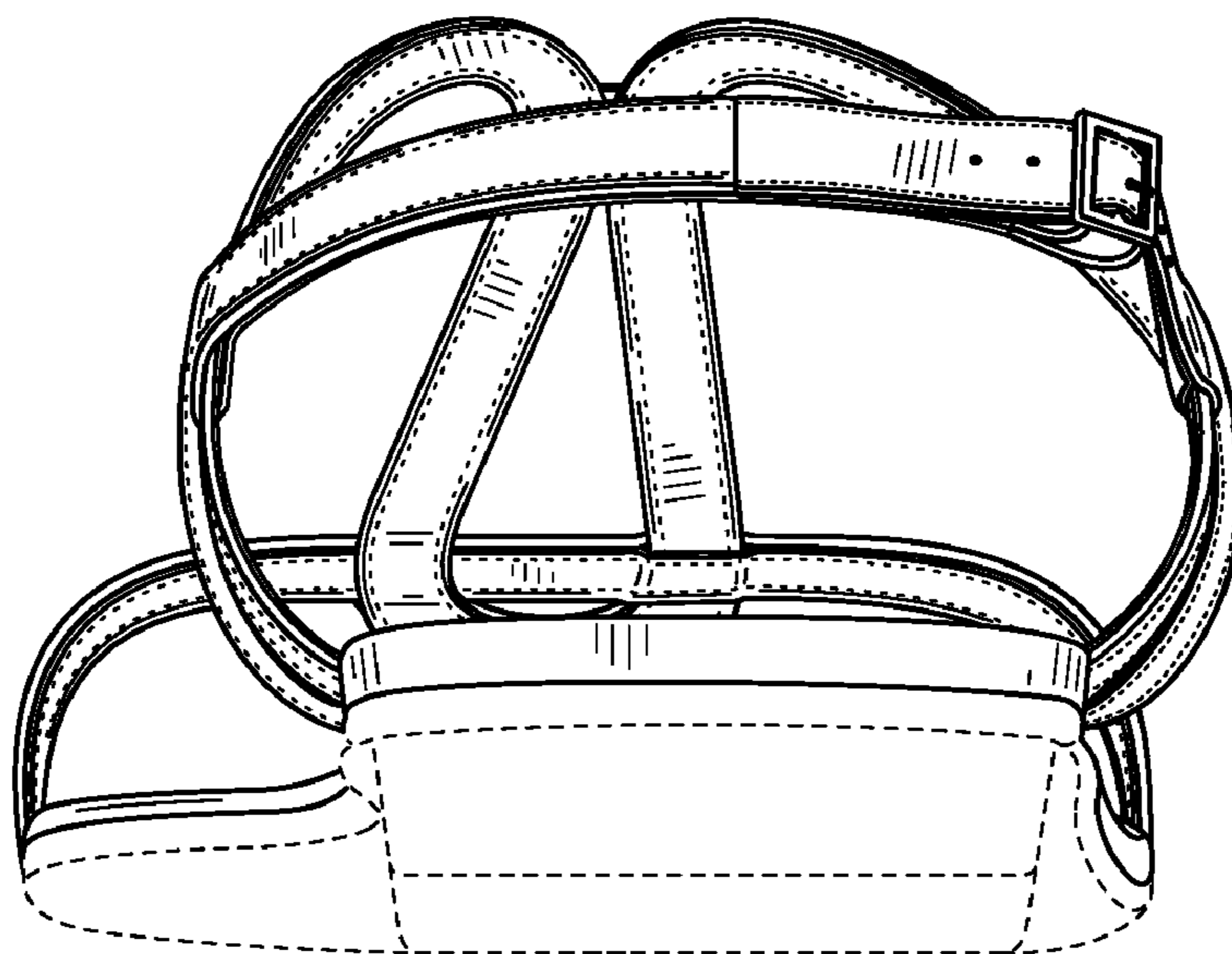


FIG. 3

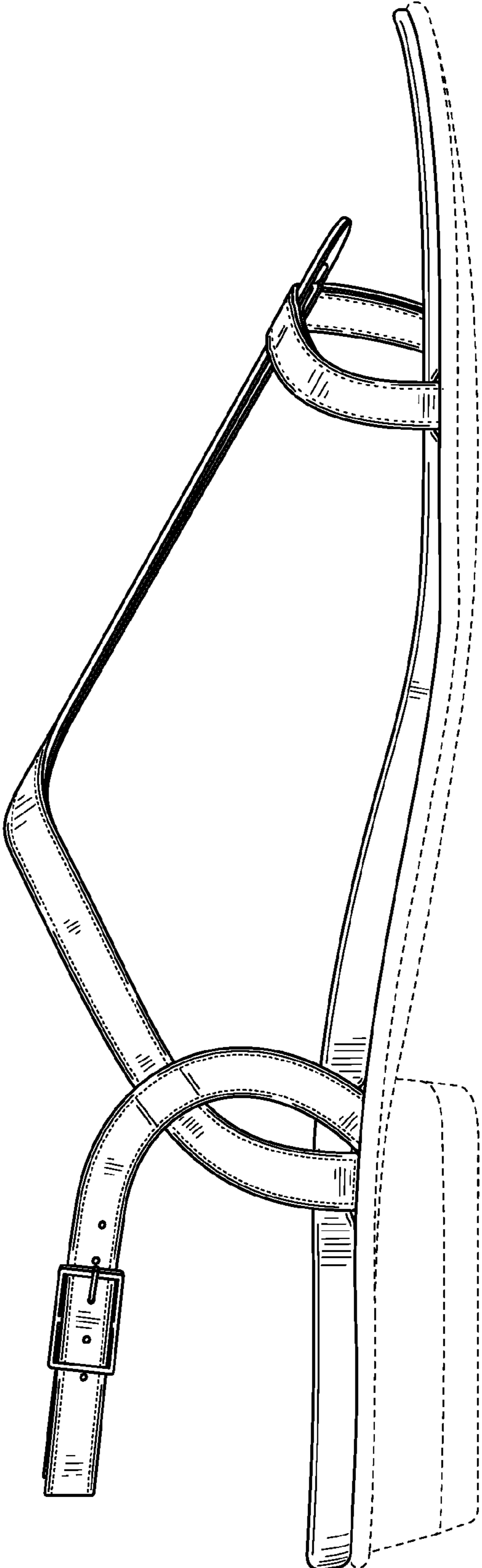


FIG. 4

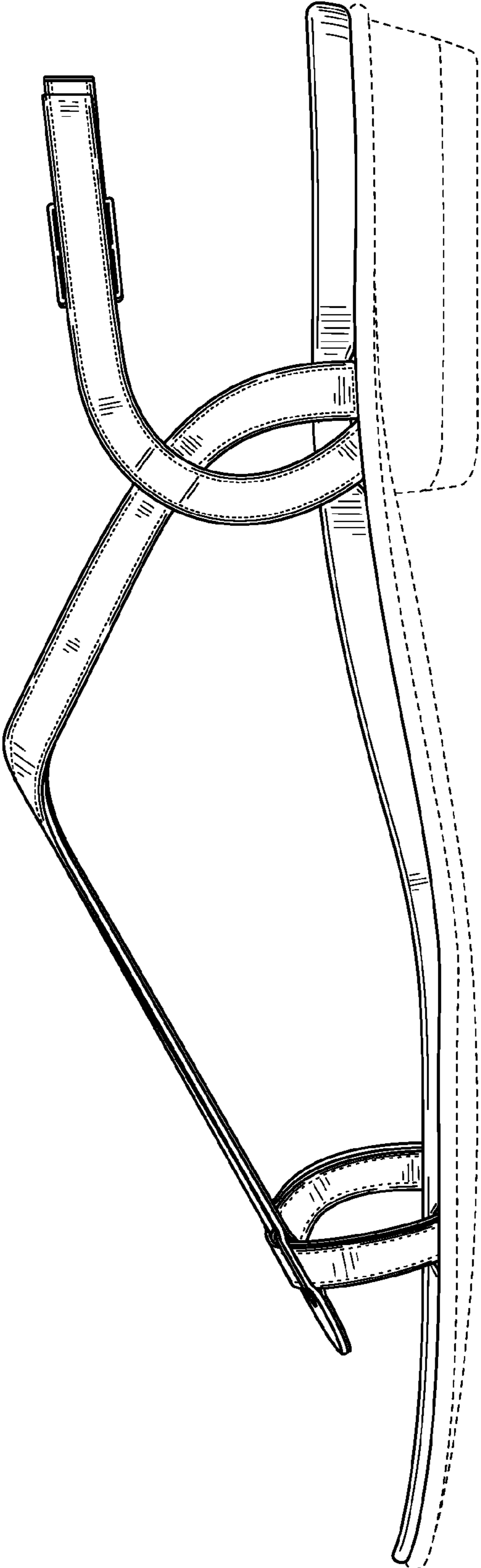


FIG. 5

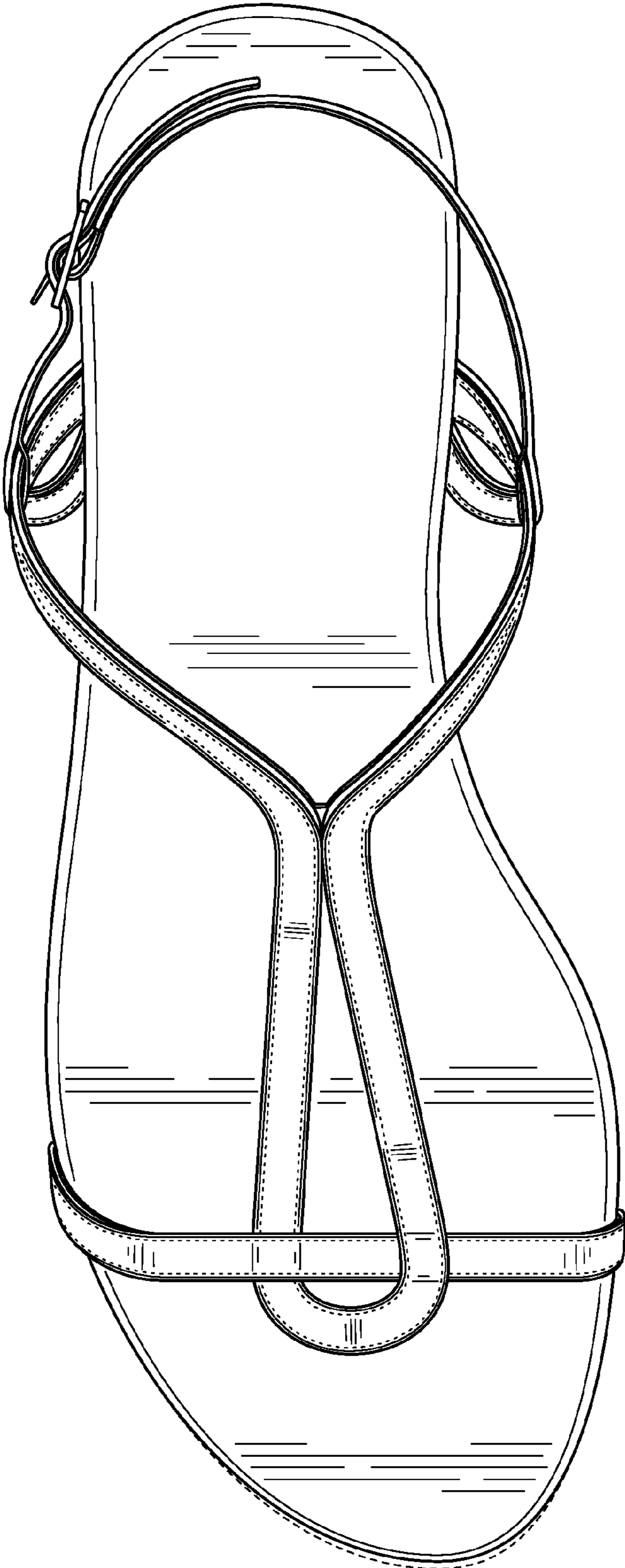


FIG. 6

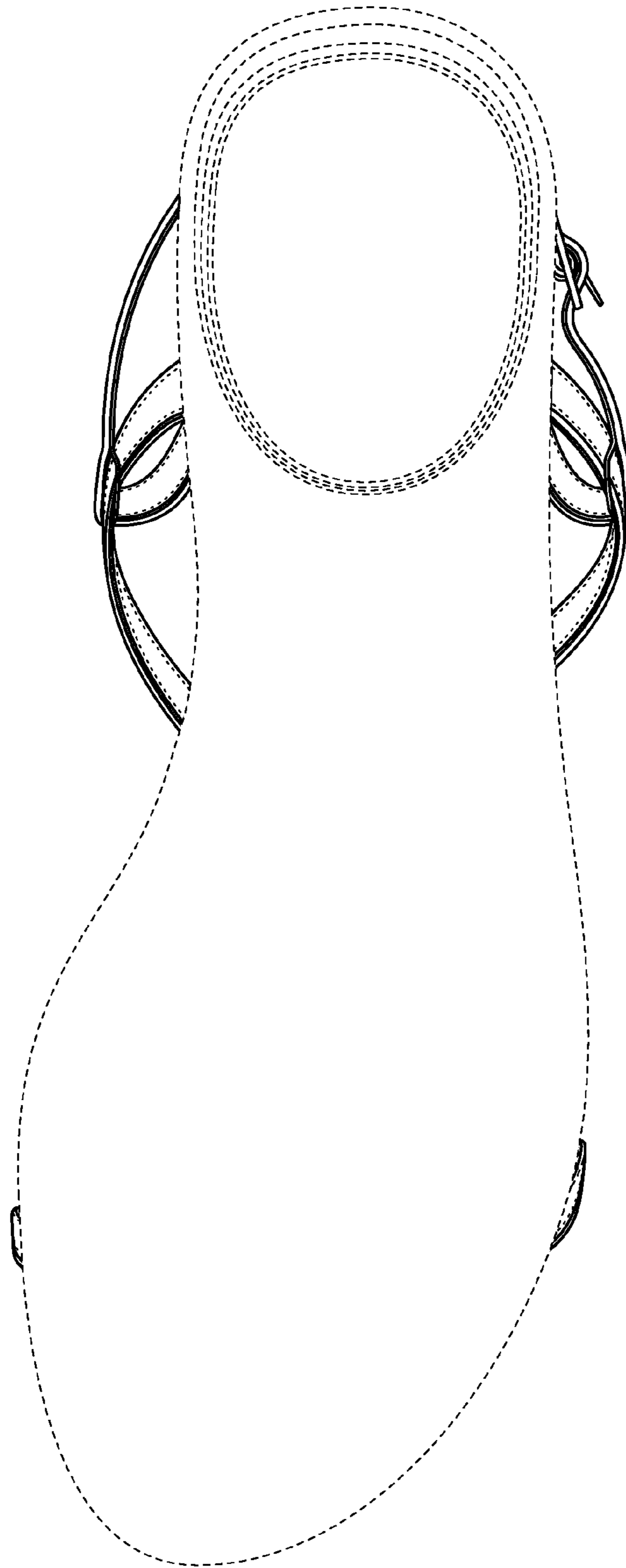


FIG. 7