



US00D575023S

(12) **United States Design Patent**
Girard

(10) **Patent No.:** **US D575,023 S**

(45) **Date of Patent:** **** Aug. 12, 2008**

(54) **CART**

(76) **Inventor:** **Benoit Girard**, 620 Pascal, Repentigny,
QBC (CA) J6A 7G3

(**) **Term:** **14 Years**

(21) **Appl. No.:** **29/287,028**

(22) **Filed:** **Jun. 20, 2007**

(51) **LOC (8) Cl.** **12-02**

(52) **U.S. Cl.** **D34/19**

(58) **Field of Classification Search** D34/12-27;
D6/436, 460; 280/47.18, 47.26, 47.34, 33.991,
280/33.992, 33.993

See application file for complete search history.

(56) **References Cited**

U.S. PATENT DOCUMENTS

1,985,412	A	12/1934	Jackson	
D107,970	S *	1/1938	Pfauser	D34/20
D288,147	S	2/1987	Helinski	
D327,996	S *	7/1992	Warfield	D6/457
D368,726	S	4/1996	Few	
D399,370	S *	10/1998	Crinion	D6/436
D407,233	S *	3/1999	Naas et al.	D6/425
D447,567	S	9/2001	Murphy et al.	
D448,391	S	9/2001	Stauffer et al.	
D468,420	S *	1/2003	Bolmsjo	D24/107
D477,620	S	7/2003	Few	
6,827,357	B2	12/2004	Calmeise et al.	
D501,285	S *	1/2005	Long, Jr.	D34/19

D505,804	S *	6/2005	Chen	D6/436
D538,997	S *	3/2007	Schlembach	D34/12
D546,017	S *	7/2007	Wise	D34/19
D555,871	S *	11/2007	Pong	D34/17

* cited by examiner

Primary Examiner—Cynthia E Ramirez

(74) *Attorney, Agent, or Firm*—Equinox Protection; Franz
Bonsang, Patent Agent

(57) **CLAIM**

The ornamental design for a cart, as shown and described.

DESCRIPTION

FIG. 1 is a top perspective view of a cart showing my new design;

FIG. 2 is a top plan view thereof;

FIG. 3 is a front elevational view thereof;

FIG. 4 is a left side elevational view thereof;

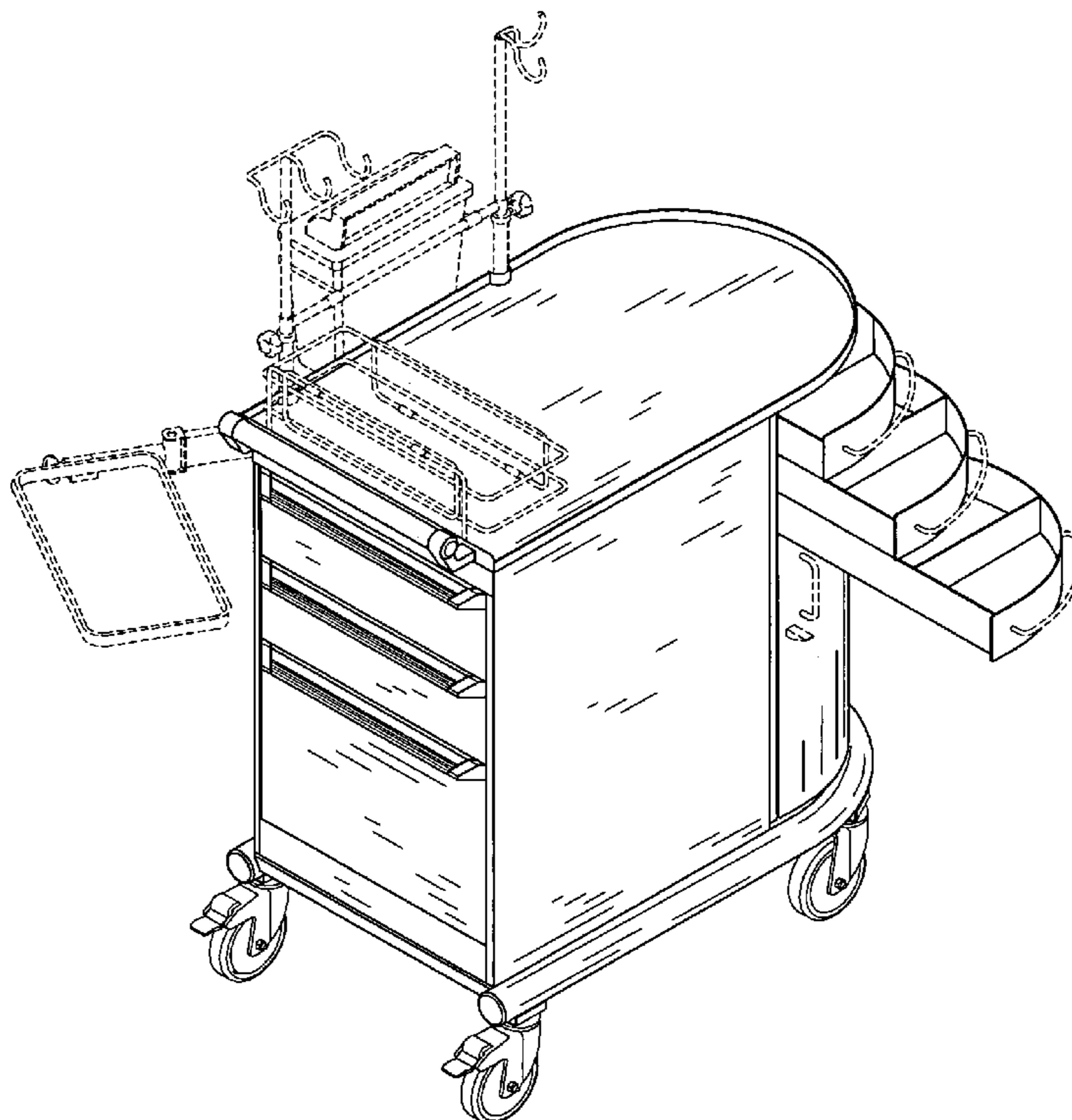
FIG. 5 is a right side elevational view thereof;

FIG. 6 is a rear elevational view thereof; and,

FIG. 7 is a top perspective view thereof, showing an alternate position of the drawers.

In the drawings, the broken lines representing elements such as handles, hooks, plate, plate holder, support rods, and garbage container are for illustrative purposes only and form no part of the claimed design.

1 Claim, 6 Drawing Sheets



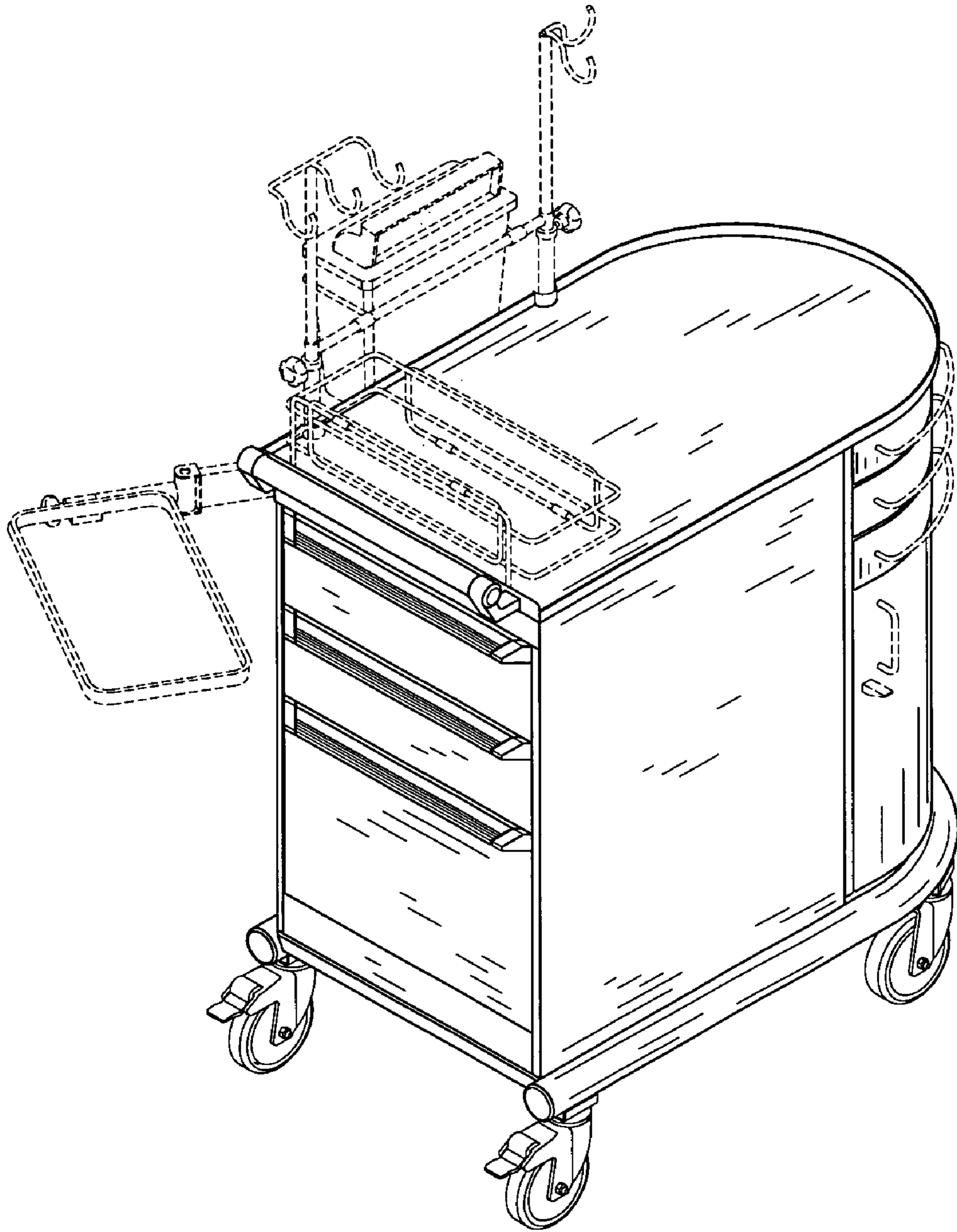


FIG. 1

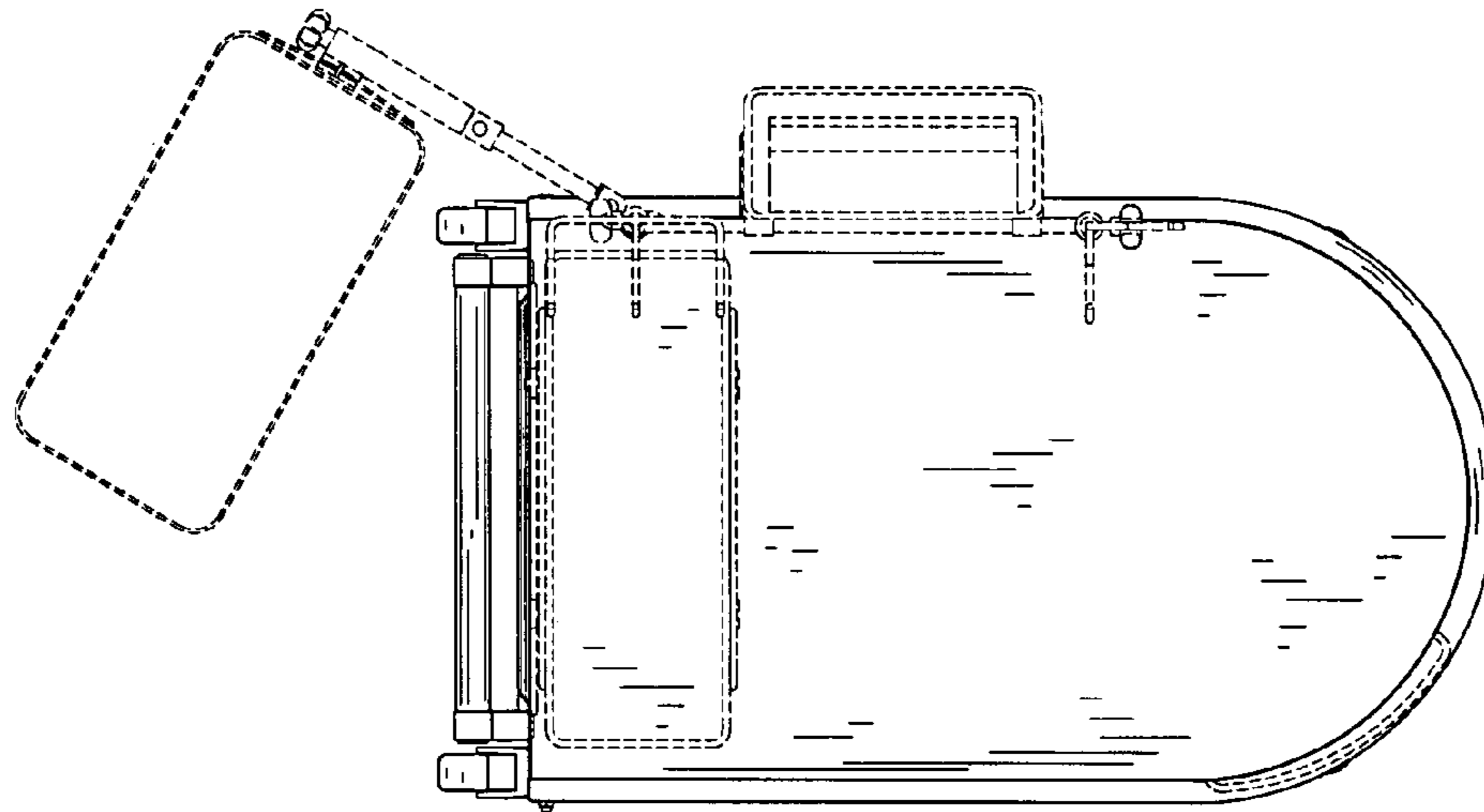


FIG. 2

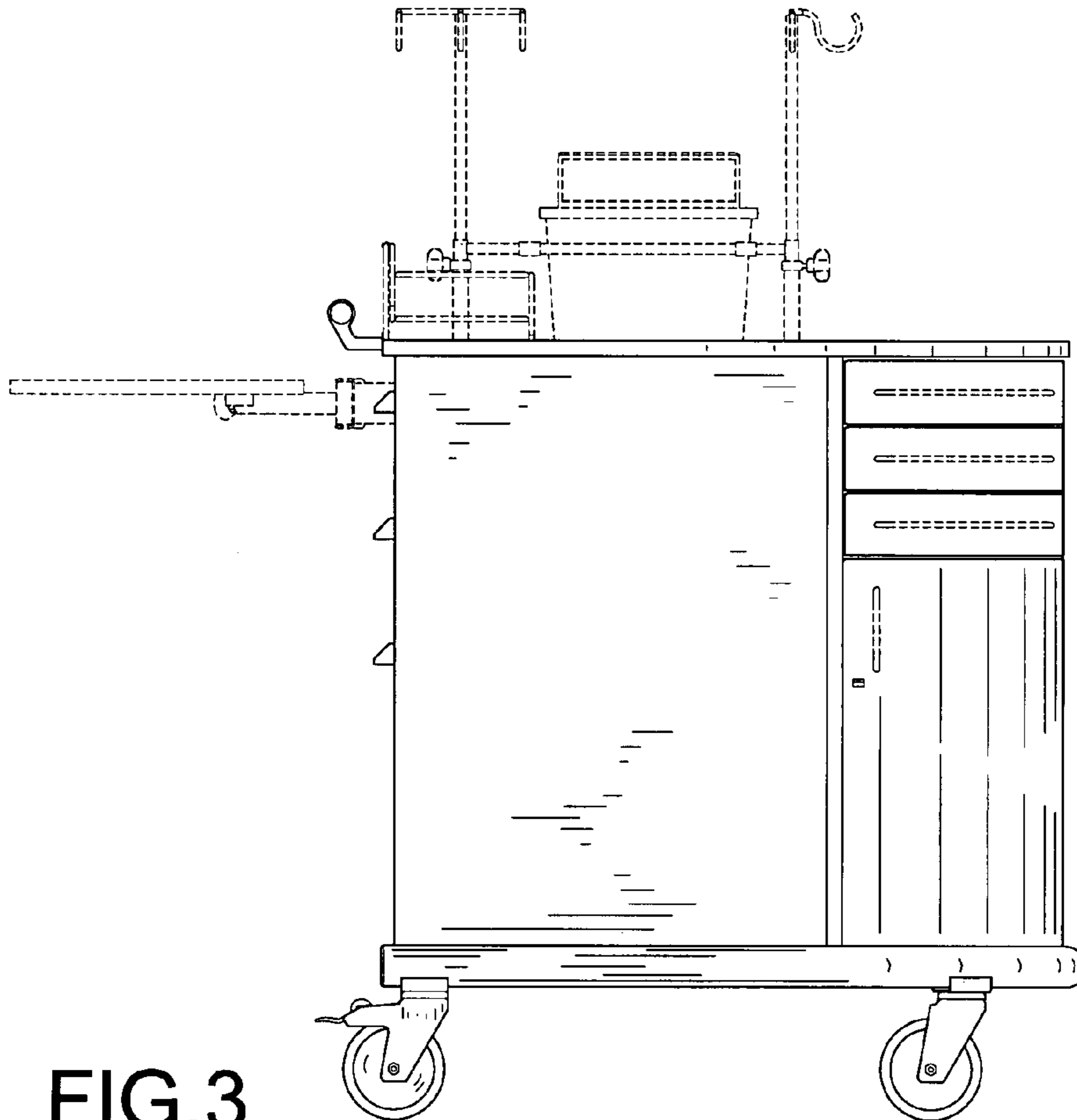


FIG. 3

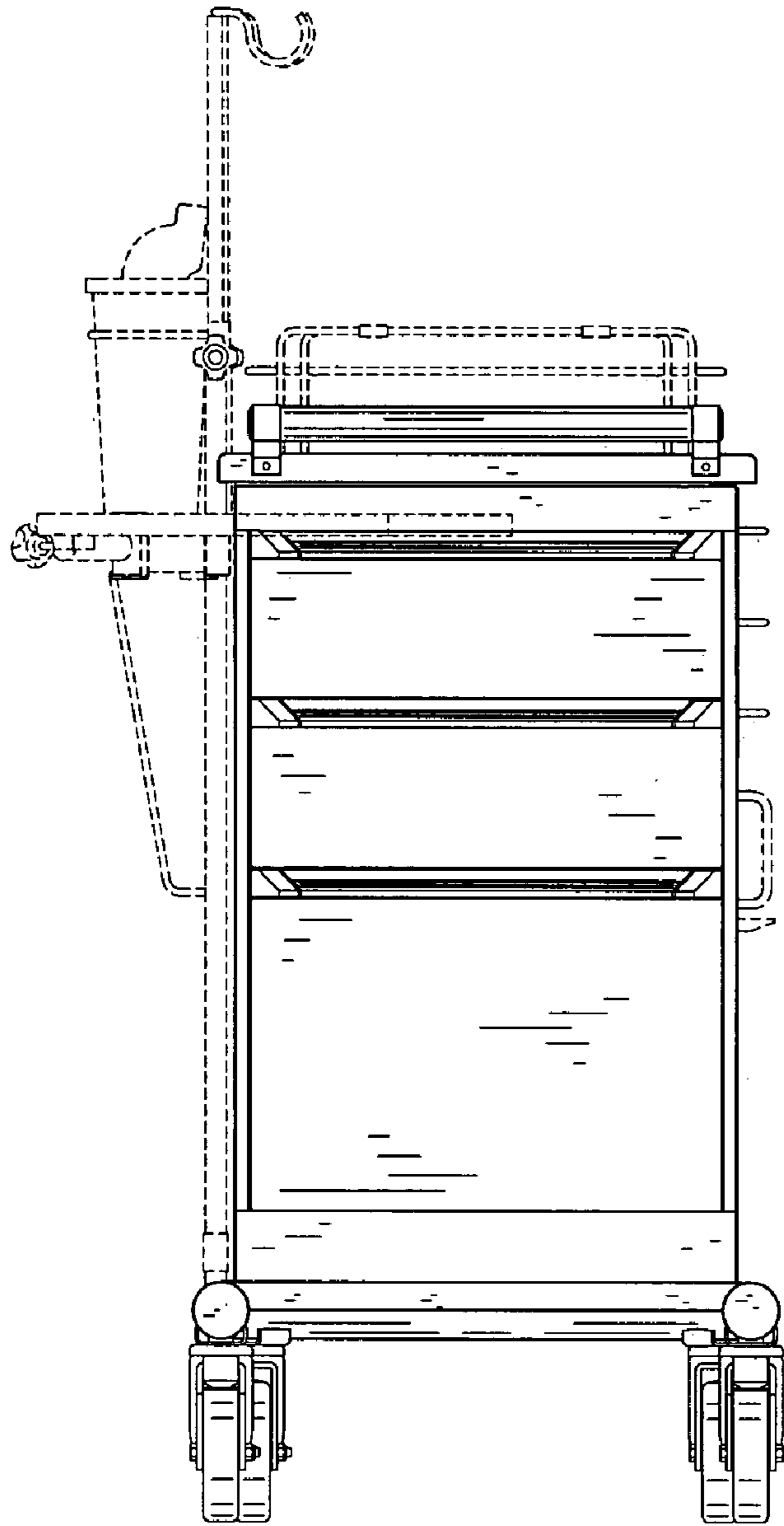


FIG.4

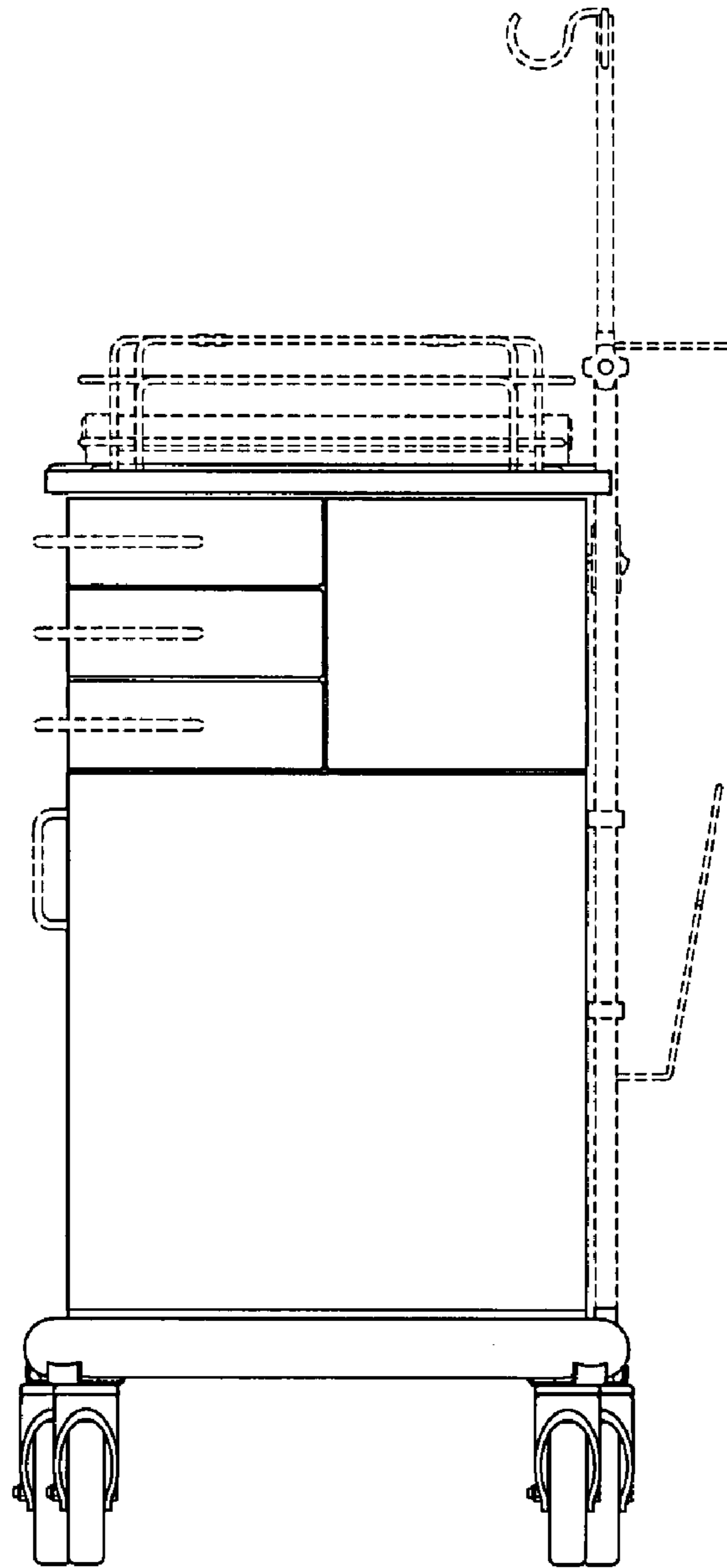


FIG.5

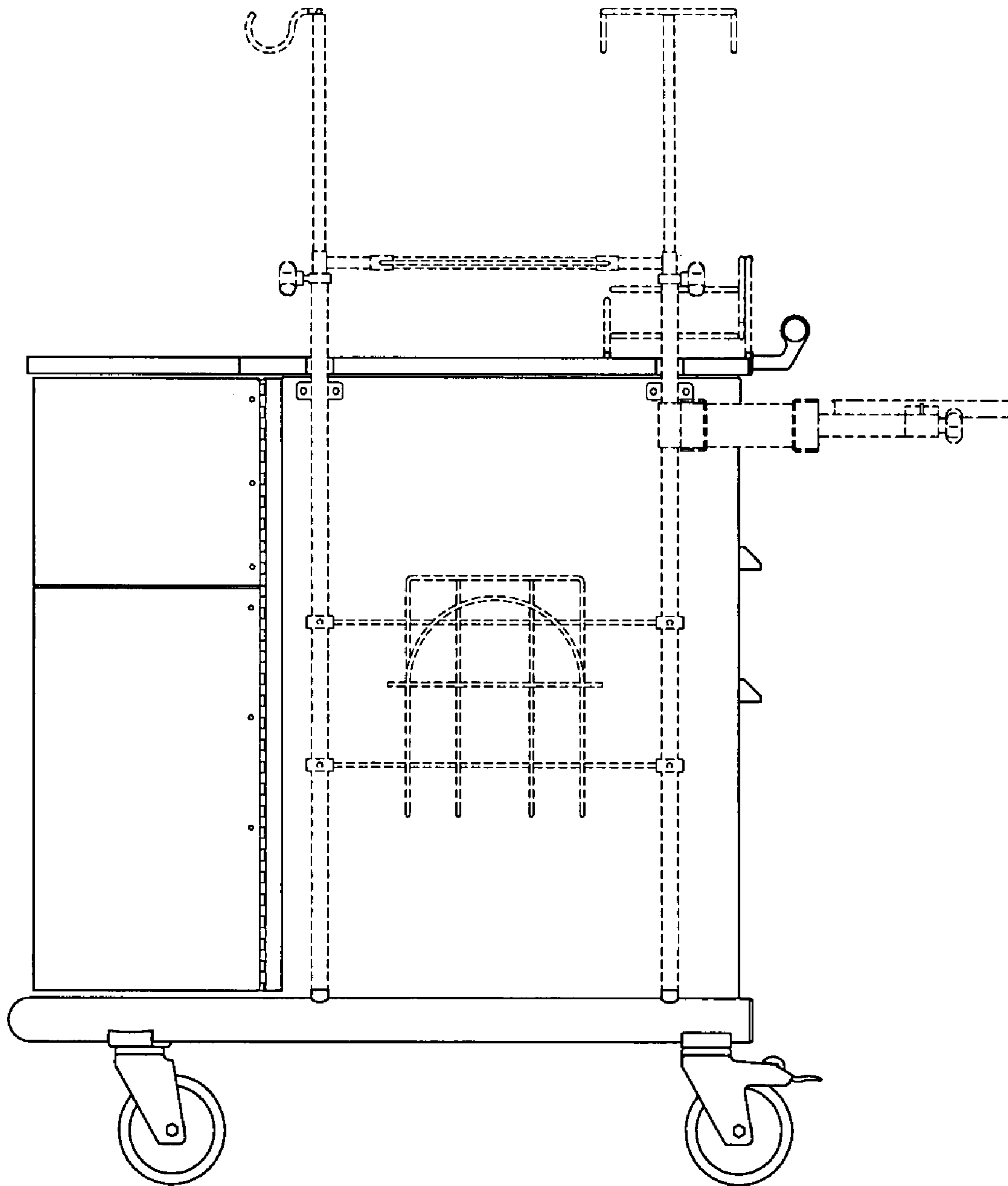


FIG.6

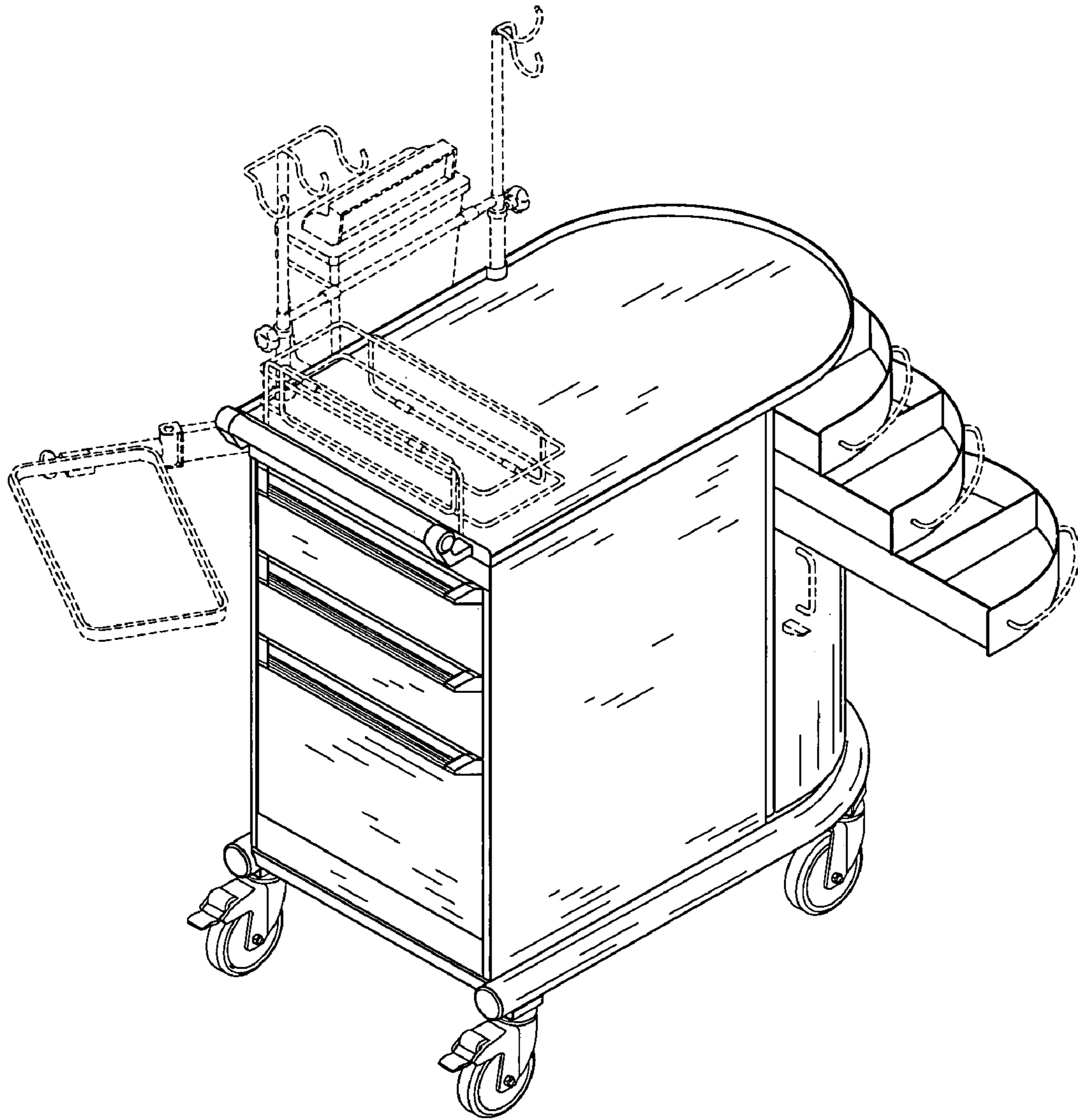


FIG. 7