



US00D575021S

(12) **United States Design Patent**
Di Ruggiero

(10) **Patent No.:** **US D575,021 S**

(45) **Date of Patent:** **** Aug. 12, 2008**

(54) **DOG TREAT VENDING BICYCLE KIOSK**

6,726,227 B2 * 4/2004 Morgan 280/47.35

(76) Inventor: **Elise M. Di Ruggiero**, 38 Morris Tpke,
Summit, NJ (US) 07901

* cited by examiner

Primary Examiner—Cynthia E Ramirez

(74) *Attorney, Agent, or Firm*—Bakos & Kritzer

(**) Term: **14 Years**

(21) Appl. No.: **29/268,721**

(57) **CLAIM**

(22) Filed: **Nov. 10, 2006**

The ornamental design for a dog treat vending bicycle kiosk,
as shown and described.

(51) **LOC (8) Cl.** **12-02**

(52) **U.S. Cl.** **D34/14; D34/18; D34/19**

(58) **Field of Classification Search** D34/12-27;
280/47.35, 47.26, 79.11, 79.3; 296/22, 24.1;
D6/460, 474, 481

DESCRIPTION

See application file for complete search history.

FIG. 1 is a front elevational view of a dog treat vending
bicycle kiosk showing our new design;

FIG. 2 is a front view thereof;

FIG. 3 is a rear view thereof;

FIG. 4 is a left side view thereof;

FIG. 5 is a right side view thereof;

FIG. 6 is an overhead view thereof; and,

FIG. 7 is a bottom view thereof.

(56) **References Cited**

U.S. PATENT DOCUMENTS

- 1,180,225 A * 4/1916 Todd et al. 248/99
- D192,711 S * 5/1962 Edelman D7/604
- D460,596 S * 7/2002 Bond et al. D34/14
- 6,648,349 B1 * 11/2003 Waller et al. 280/47.35

1 Claim, 6 Drawing Sheets

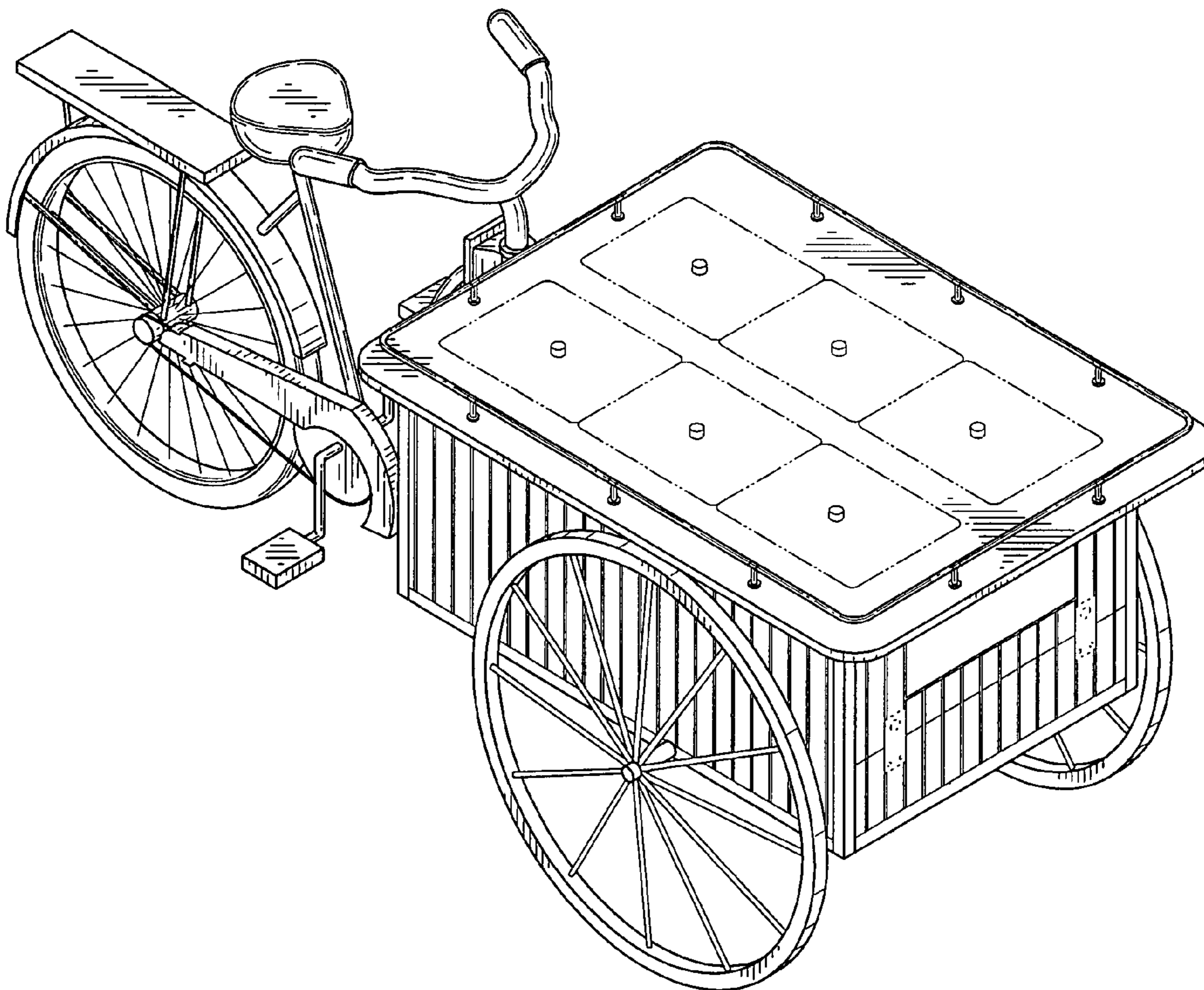


FIG. 1

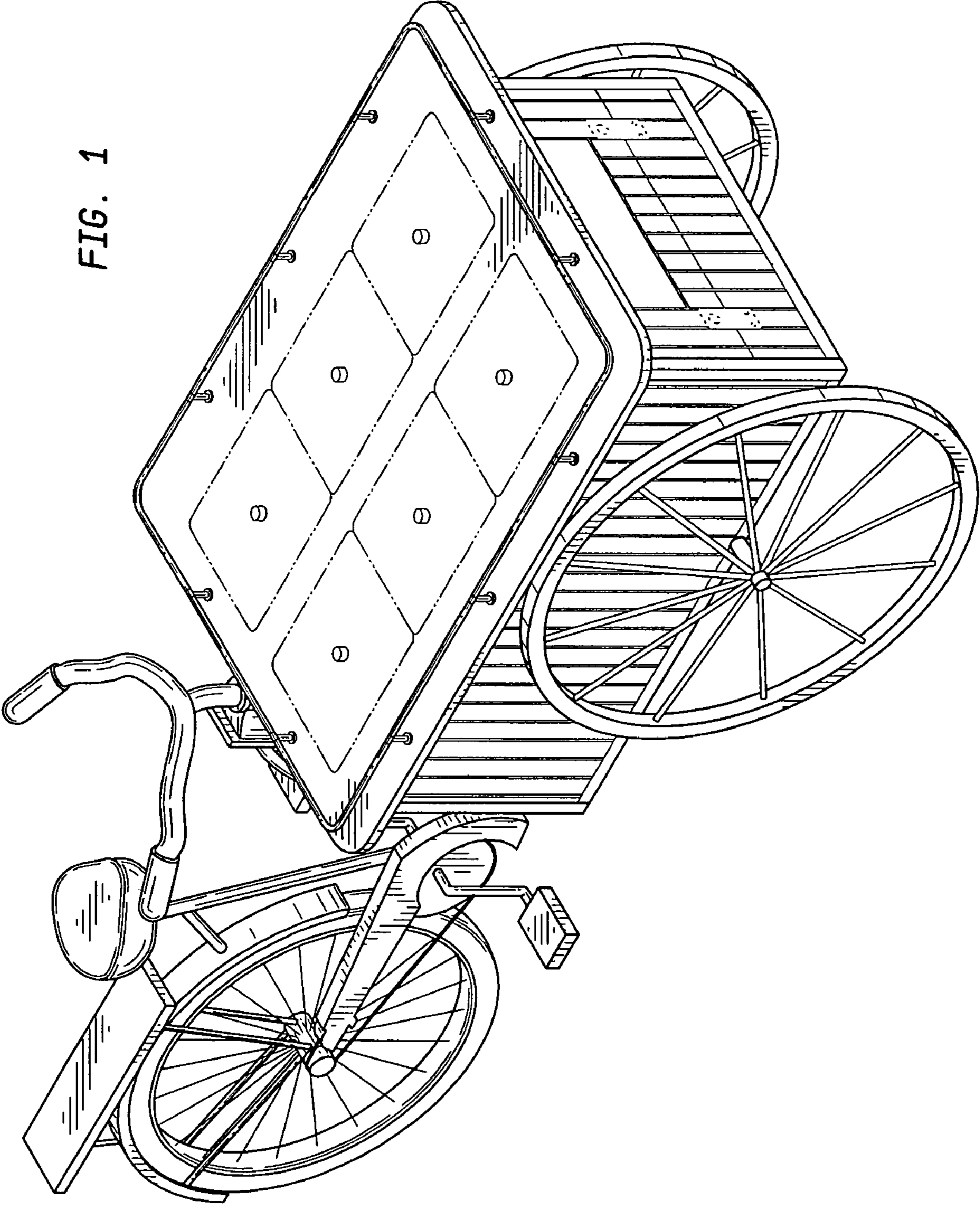


FIG. 2

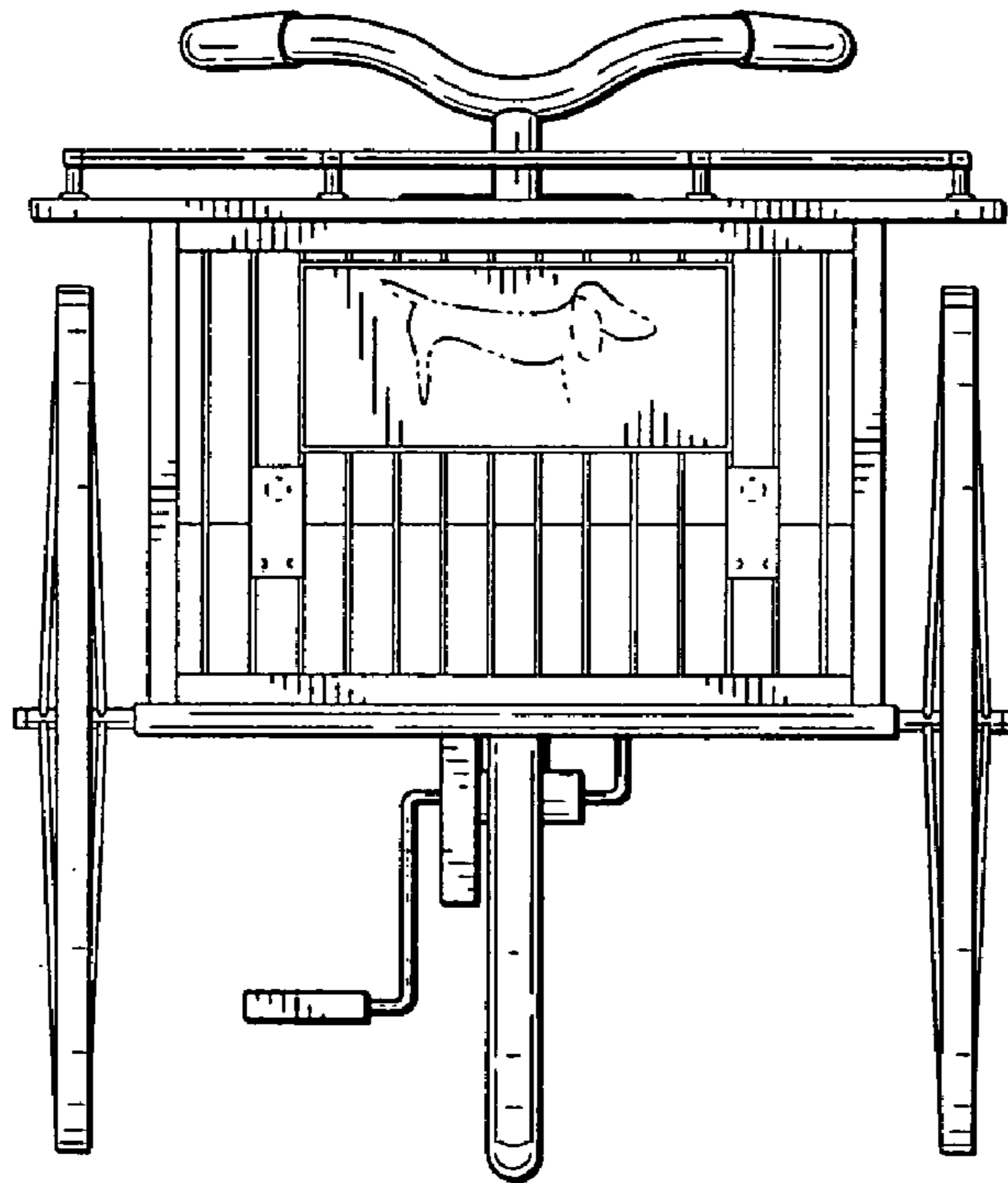


FIG. 3

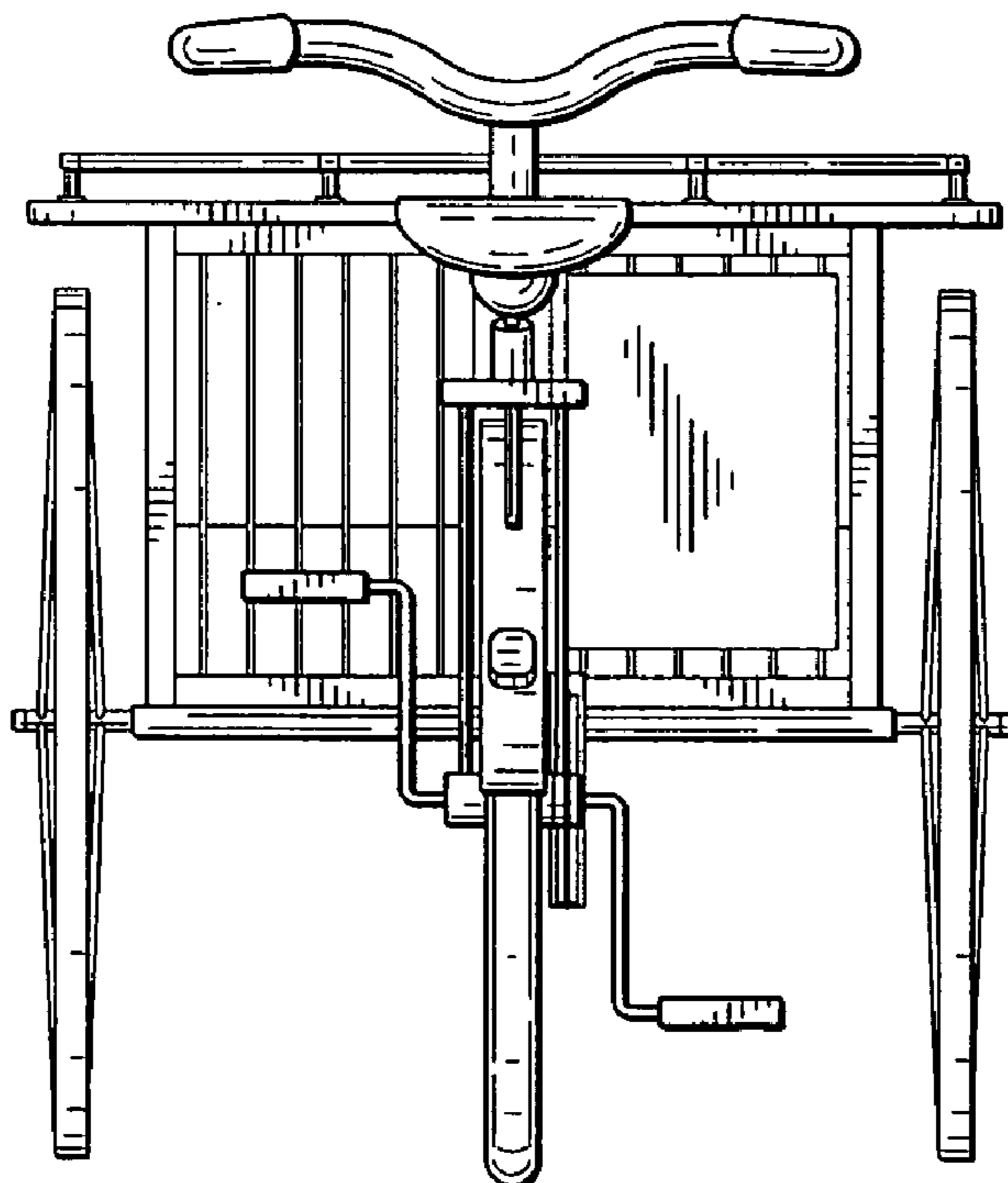


FIG. 4

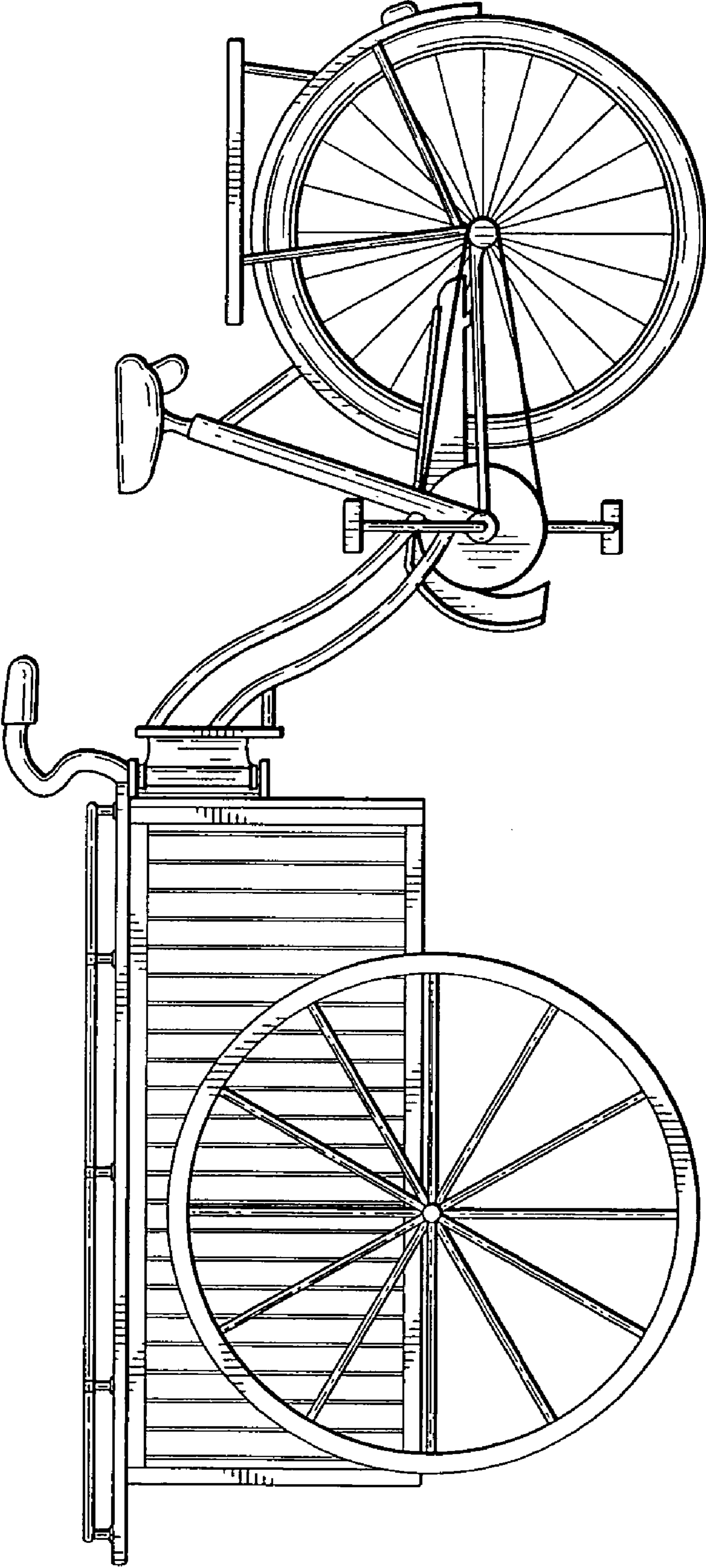


FIG. 5

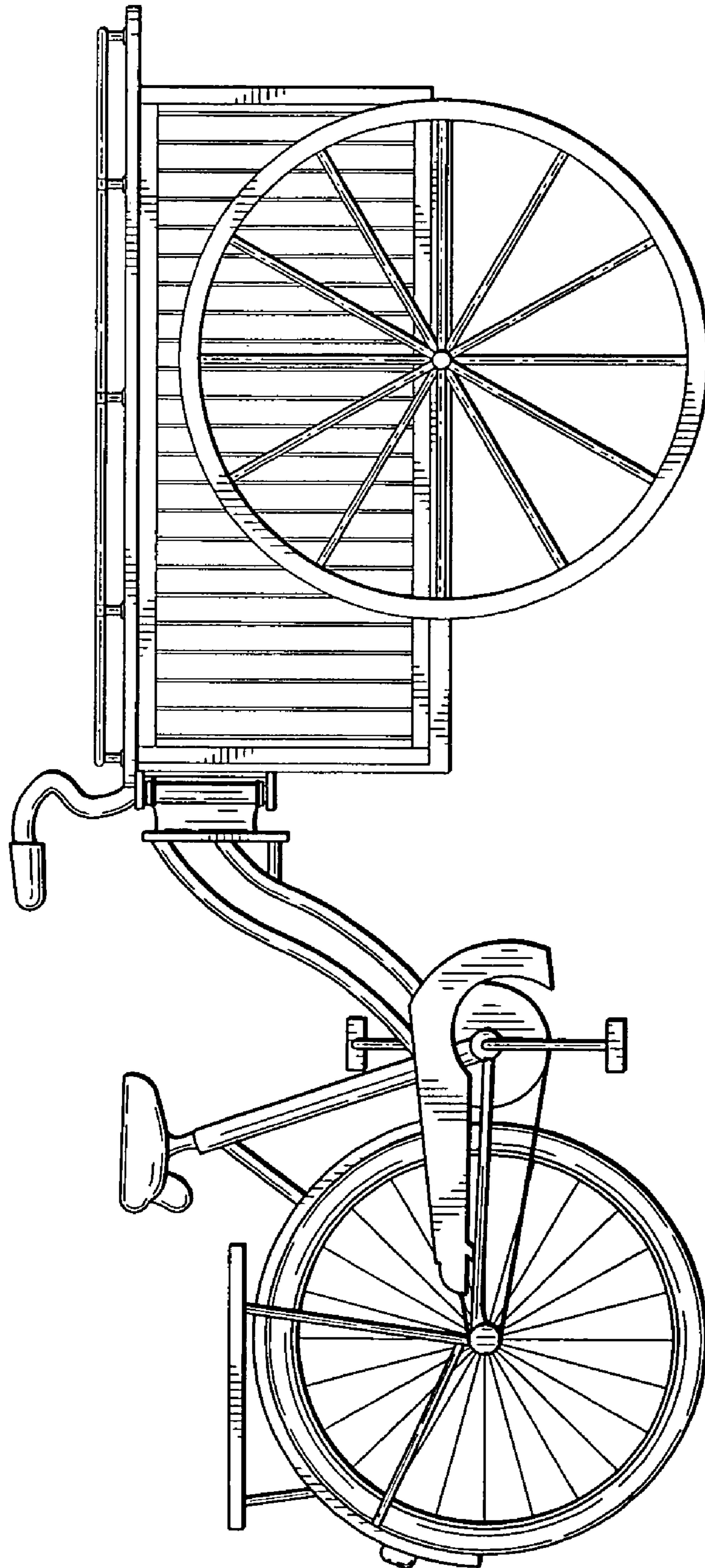


FIG. 6

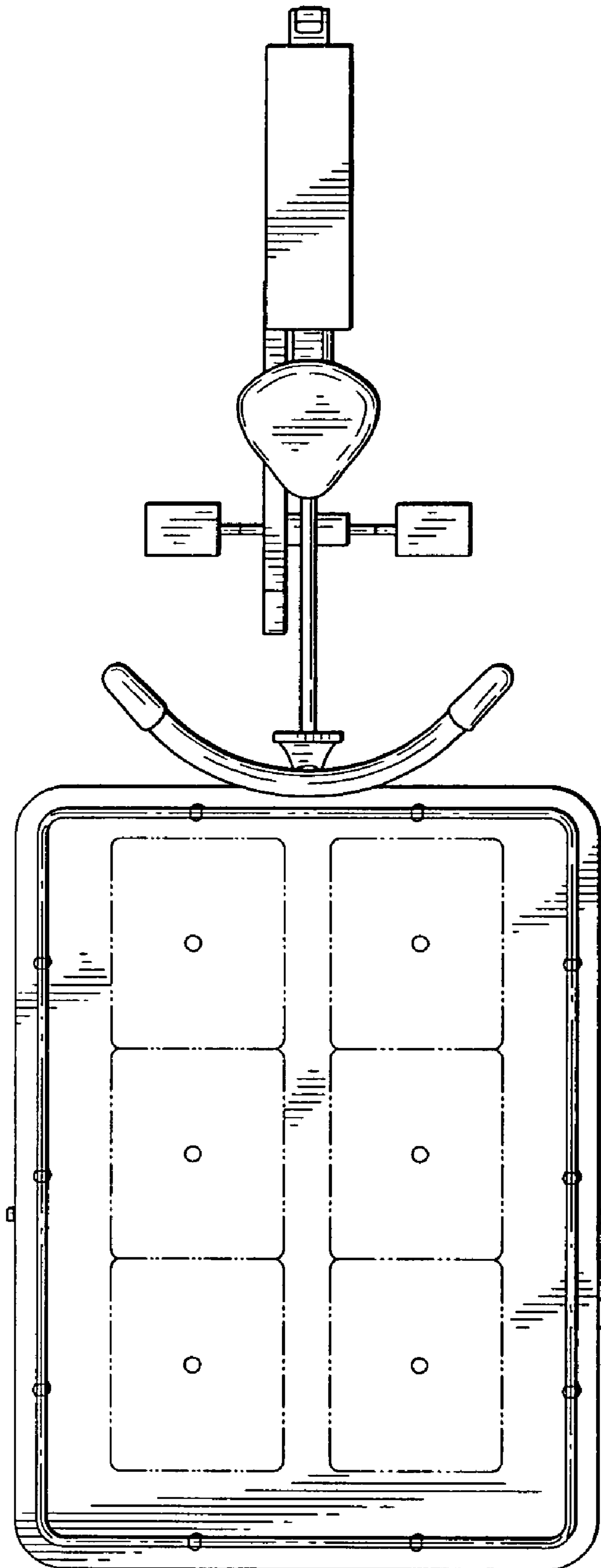


FIG. 7

