



US00D575014S

(12) **United States Design Patent**
Luo

(10) **Patent No.:** **US D575,014 S**

(45) **Date of Patent:** **** Aug. 12, 2008**

(54) **VACUUM CLEANER**

(75) Inventor: **Cheng Luo**, Changzhou (CN)

(73) Assignee: **Changzhou Shinri Household Appliance Manufacturing Co., Ltd.**, Changzhou (CN)

(**) Term: **14 Years**

(21) Appl. No.: **29/274,965**

(22) Filed: **Jun. 13, 2007**

(30) **Foreign Application Priority Data**

Dec. 30, 2006 (CN) 2006 3 0164831

(51) **LOC (8) Cl.** **15-05**

(52) **U.S. Cl.** **D32/22**

(58) **Field of Classification Search** D32/17,
D32/18, 22, 31; 15/344, 329, 347, 350-353,
15/361, 363, 412, 334; 55/343, 349, 424,
55/459.1, DIG. 3

See application file for complete search history.

(56) **References Cited**

U.S. PATENT DOCUMENTS

D365,179 S	12/1995	Bradd	
D480,847 S *	10/2003	Fujii	D32/22
D481,180 S *	10/2003	Fujii	D32/22
D510,465 S *	10/2005	Takahashi et al.	D32/22
D537,584 S *	2/2007	Greene et al.	D32/22
D562,509 S *	2/2008	Lee	D32/22

* cited by examiner

Primary Examiner—Ruth McInroy

(74) *Attorney, Agent, or Firm*—Birch, Stewart, Kolasch & Birch, LLP

(57) **CLAIM**

I claim the ornamental design for the vacuum cleaner, as shown and described.

DESCRIPTION

FIG. 1 is a front perspective view of a vacuum cleaner showing my new design;

FIG. 2 is a rear perspective view thereof;

FIG. 3 is a rear elevational view thereof;

FIG. 4 is a front elevational view thereof;

FIG. 5 is a left side elevational view thereof;

FIG. 6 is a right side elevational view thereof;

FIG. 7 is a top plan view thereof;

FIG. 8 is a front perspective view showing the handle in the folded condition;

FIG. 9 is a rear elevational view of FIG. 8;

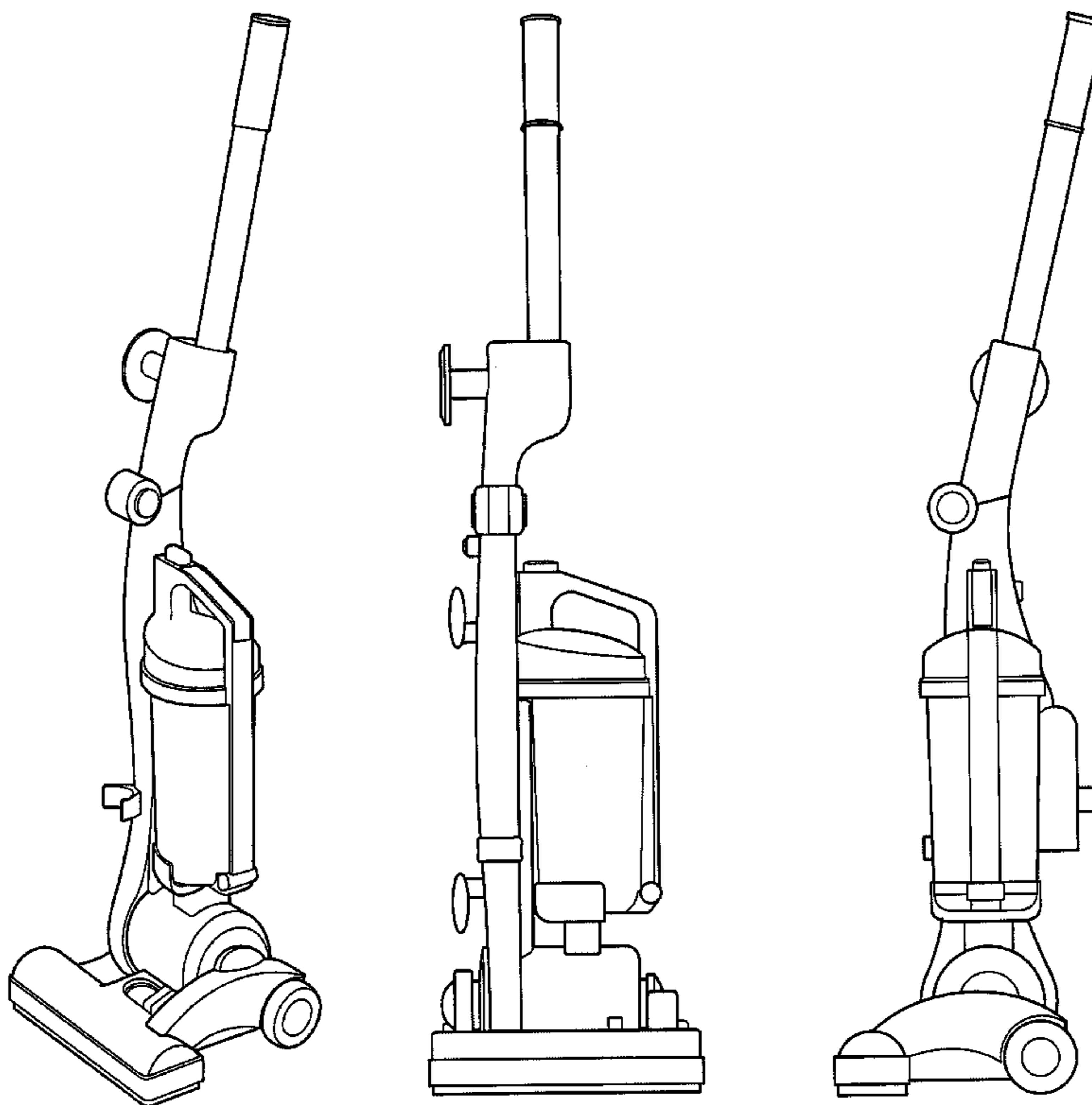
FIG. 10 is a front elevational view of FIG. 8;

FIG. 11 is a left side elevational view of FIG. 8;

FIG. 12 is a right side elevational view of FIG. 8; and,

FIG. 13 is a top plan view of FIG. 8.

1 Claim, 13 Drawing Sheets



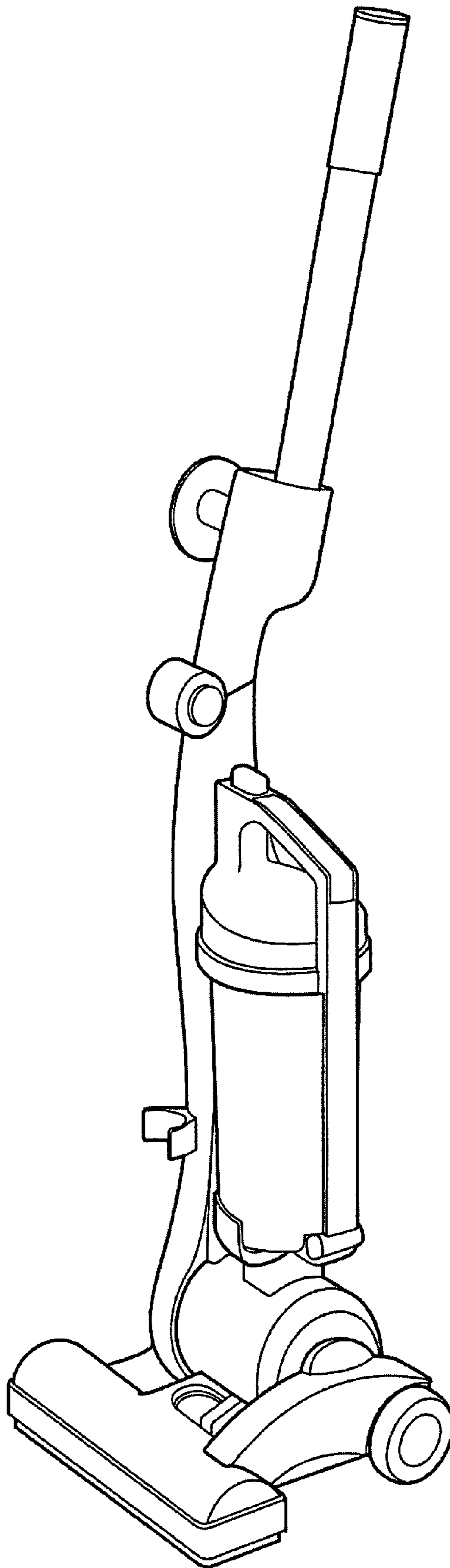


FIG. 1

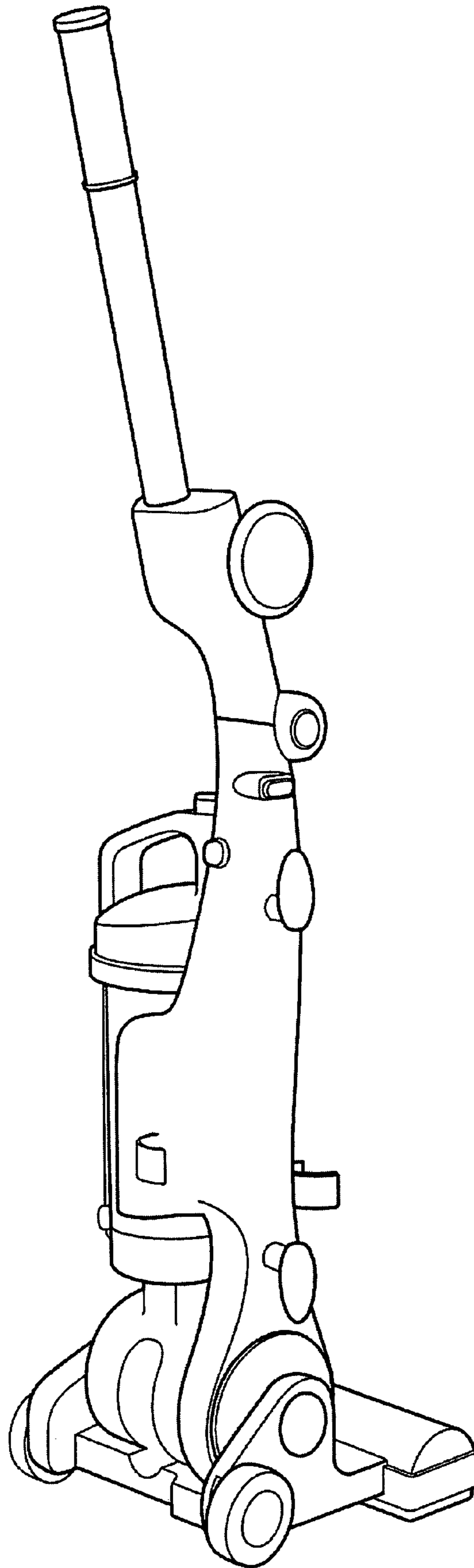


FIG. 2

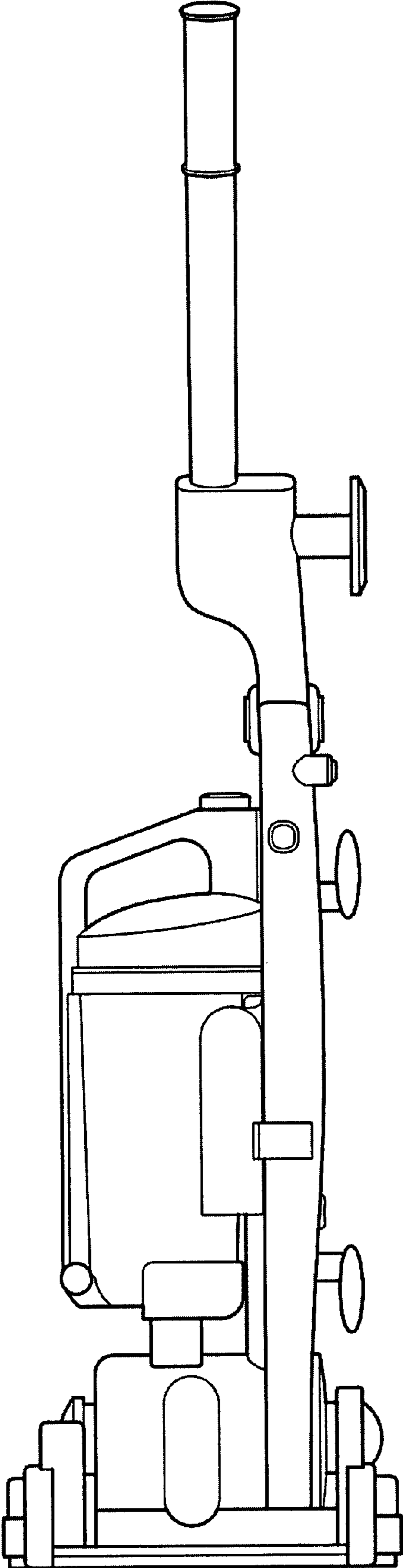


FIG. 3

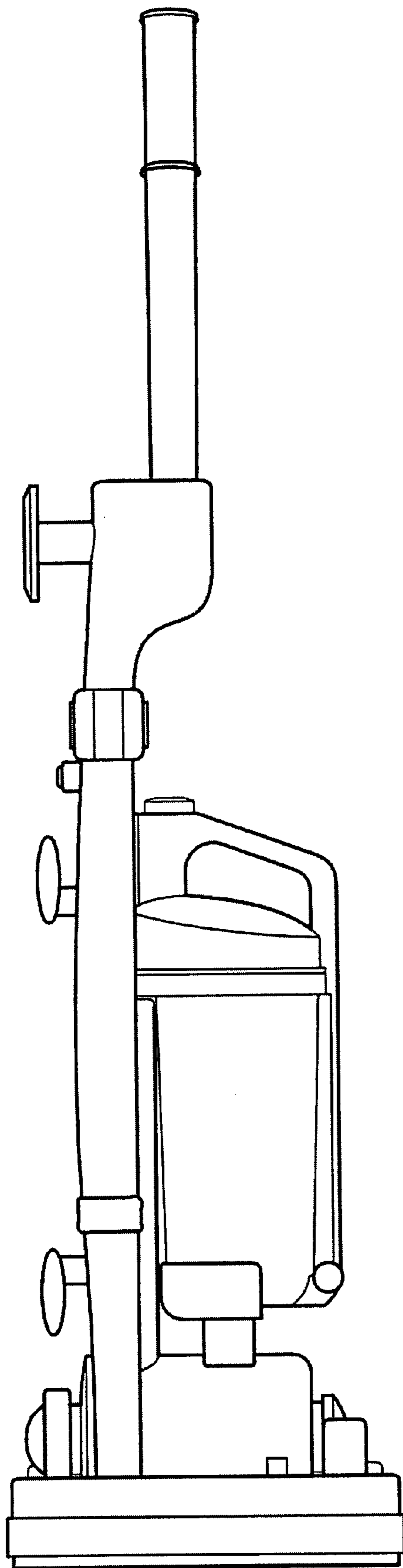


FIG. 4

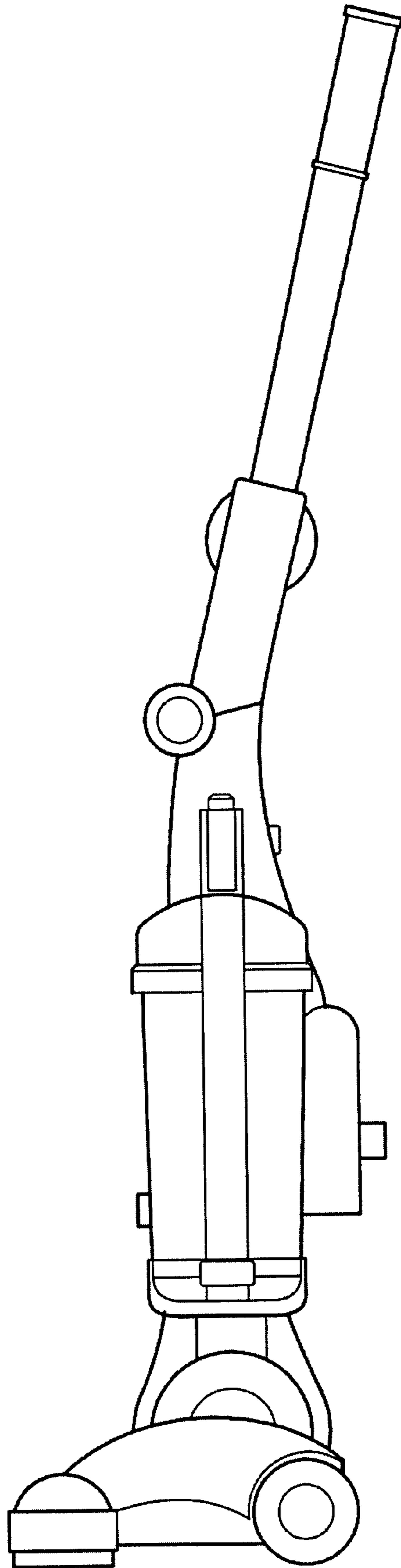


FIG. 5

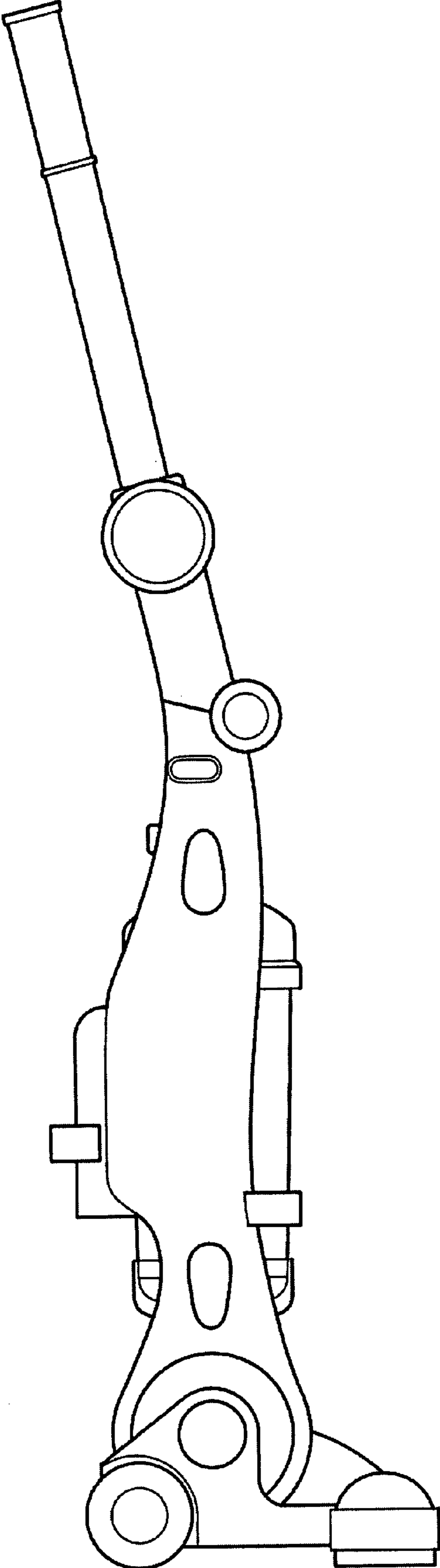


FIG. 6

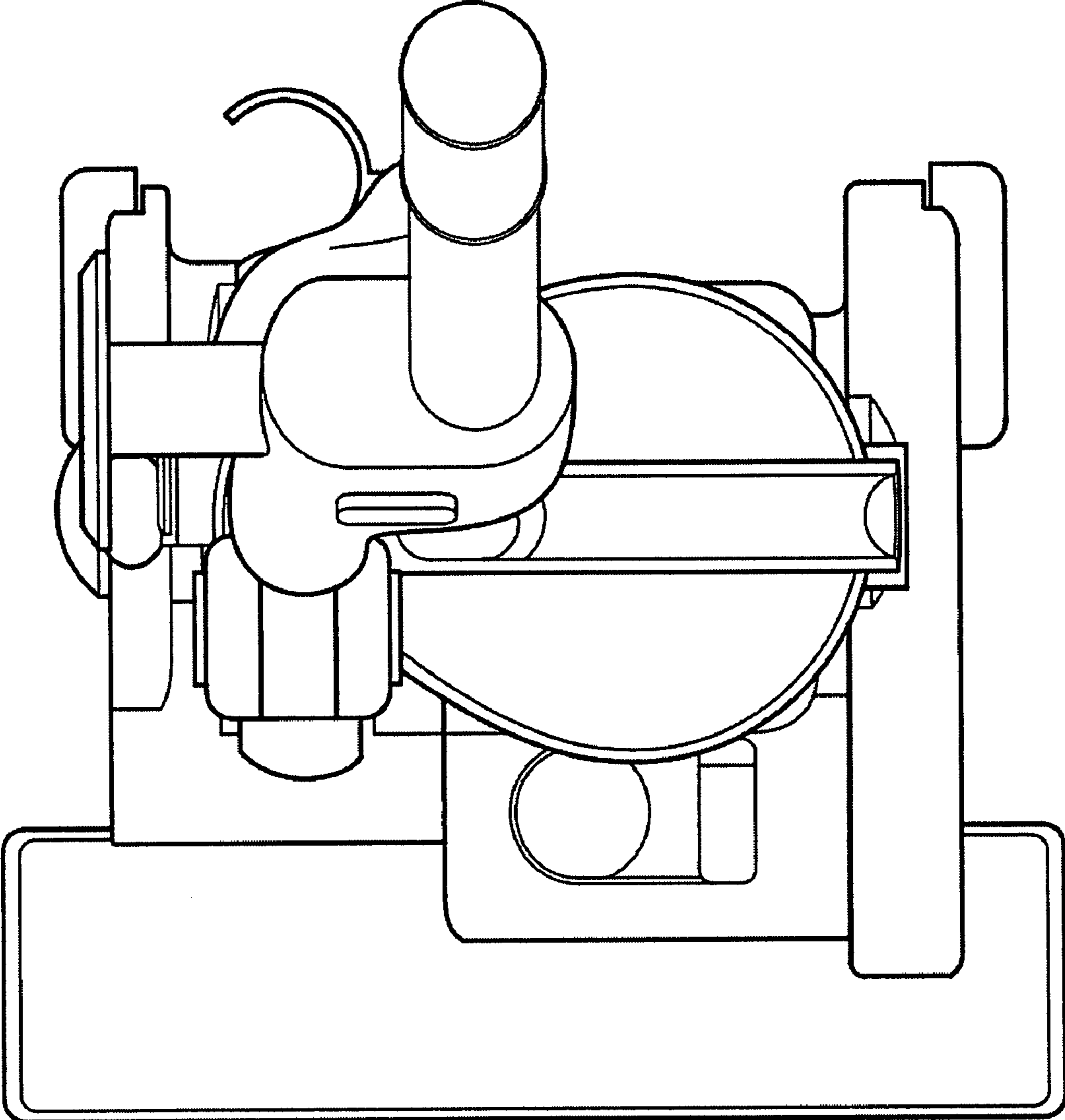


FIG. 7

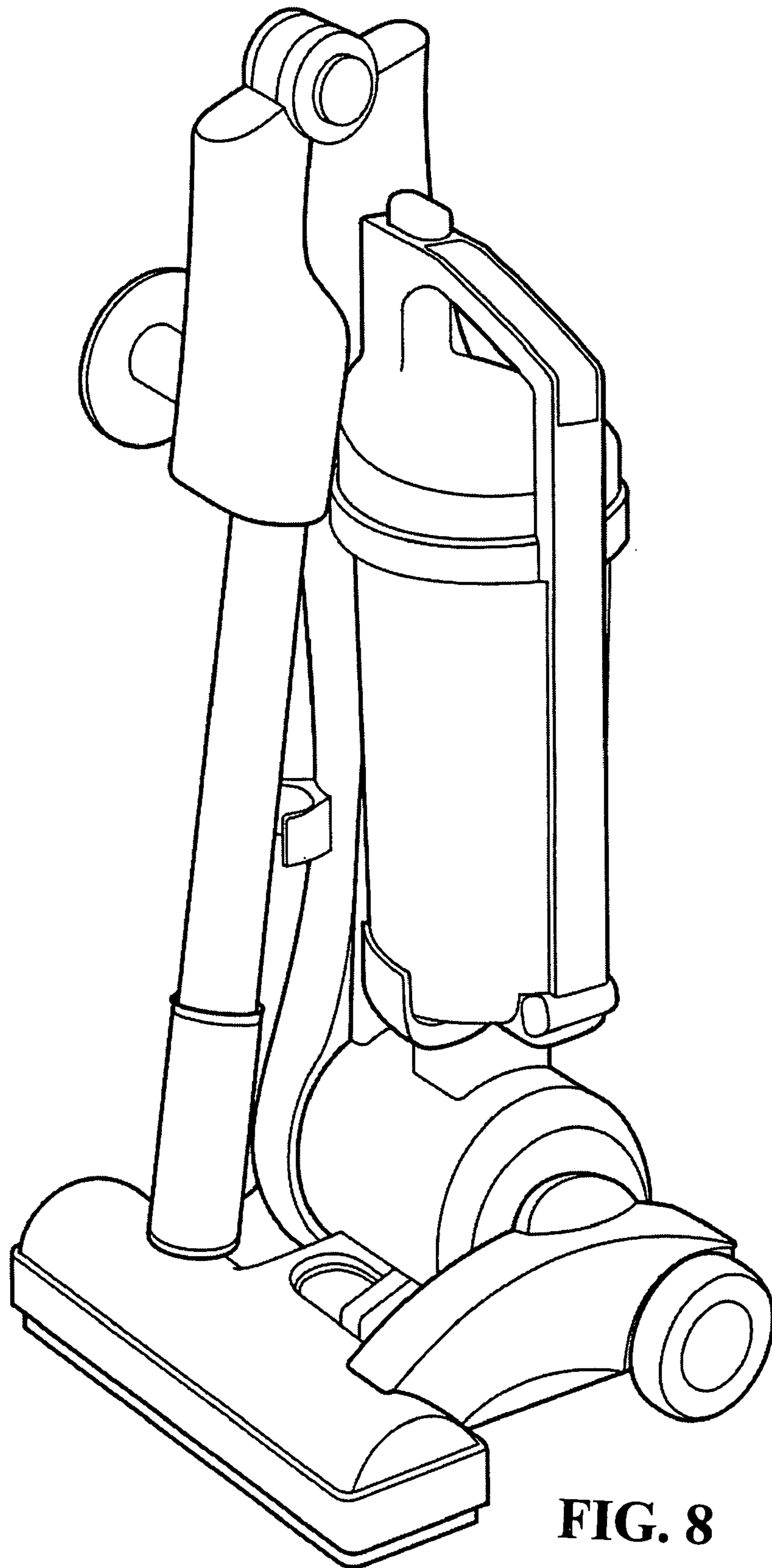


FIG. 8

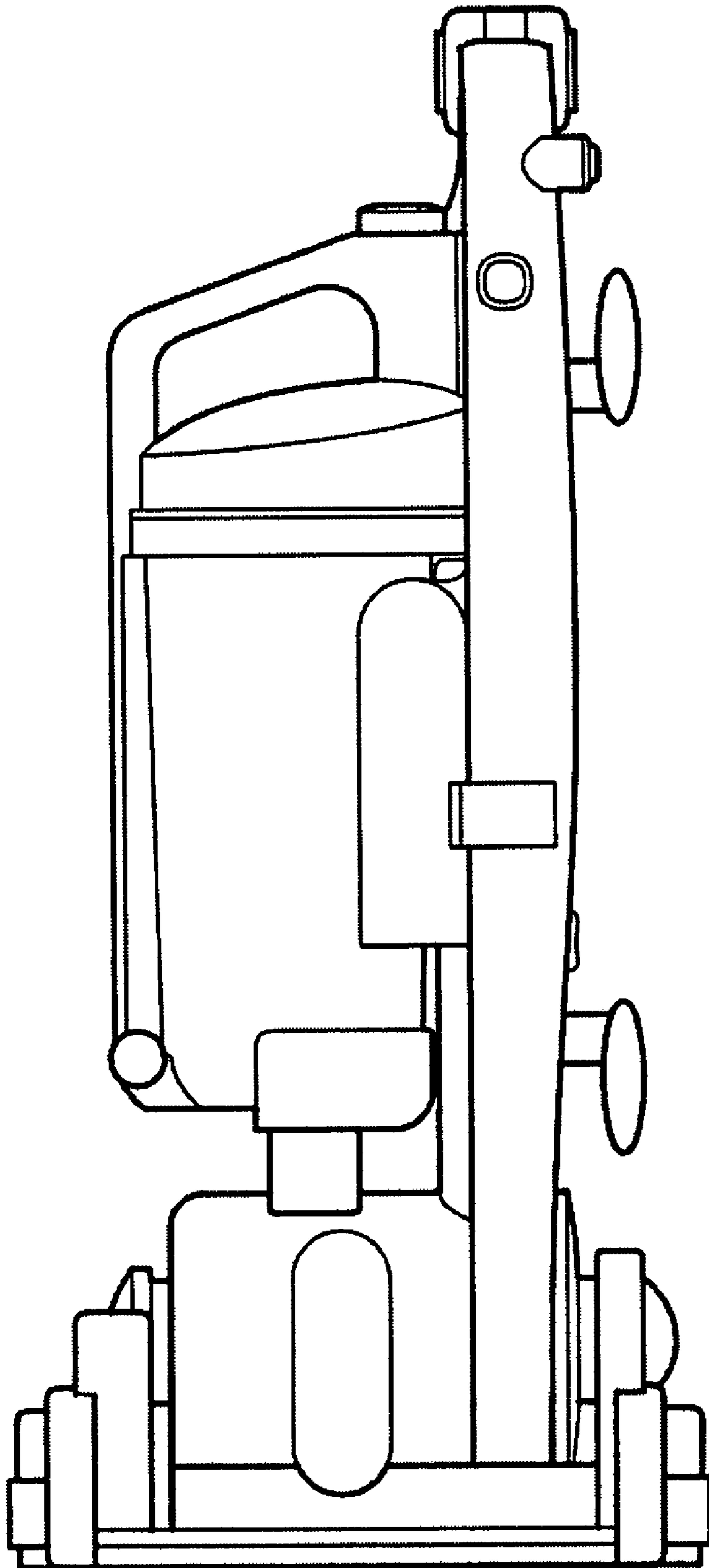


FIG. 9

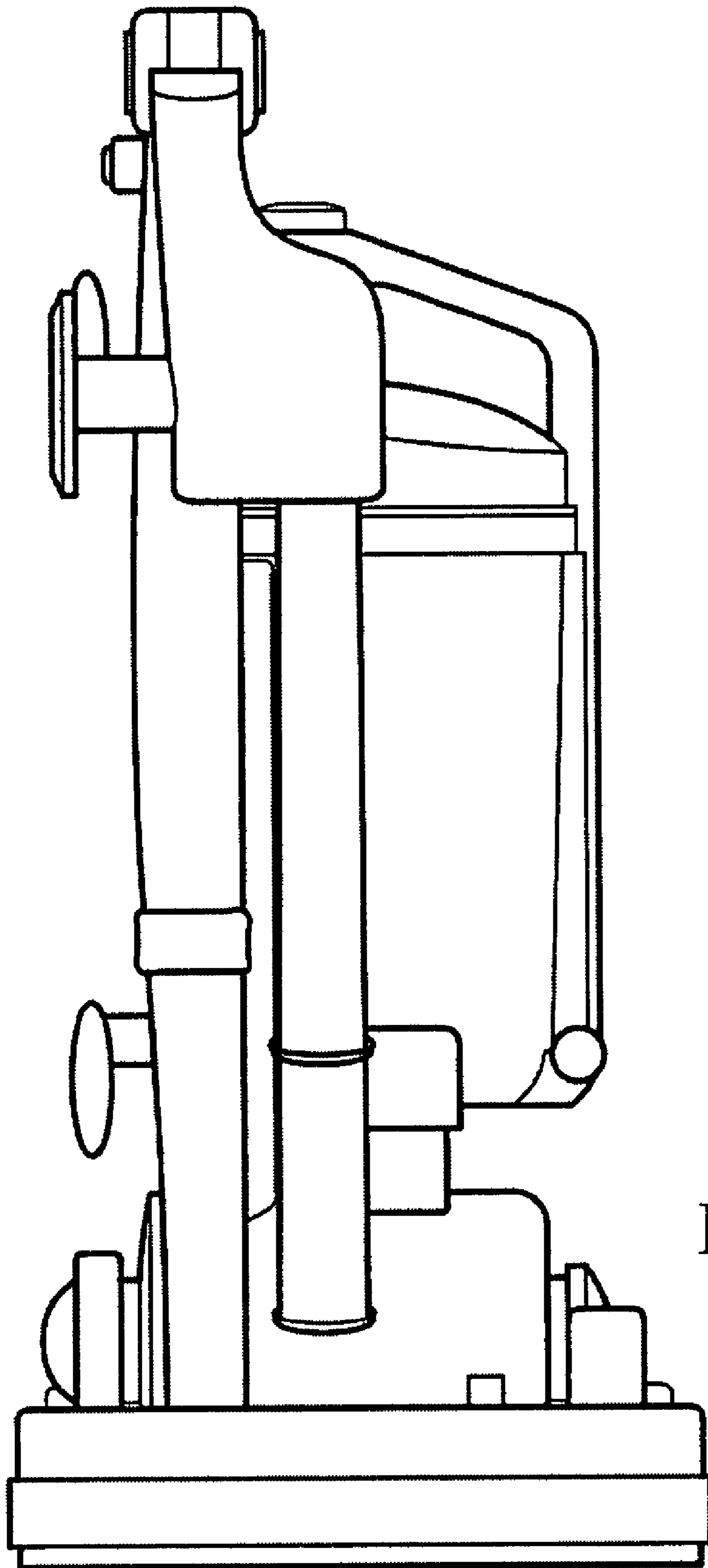


FIG. 10

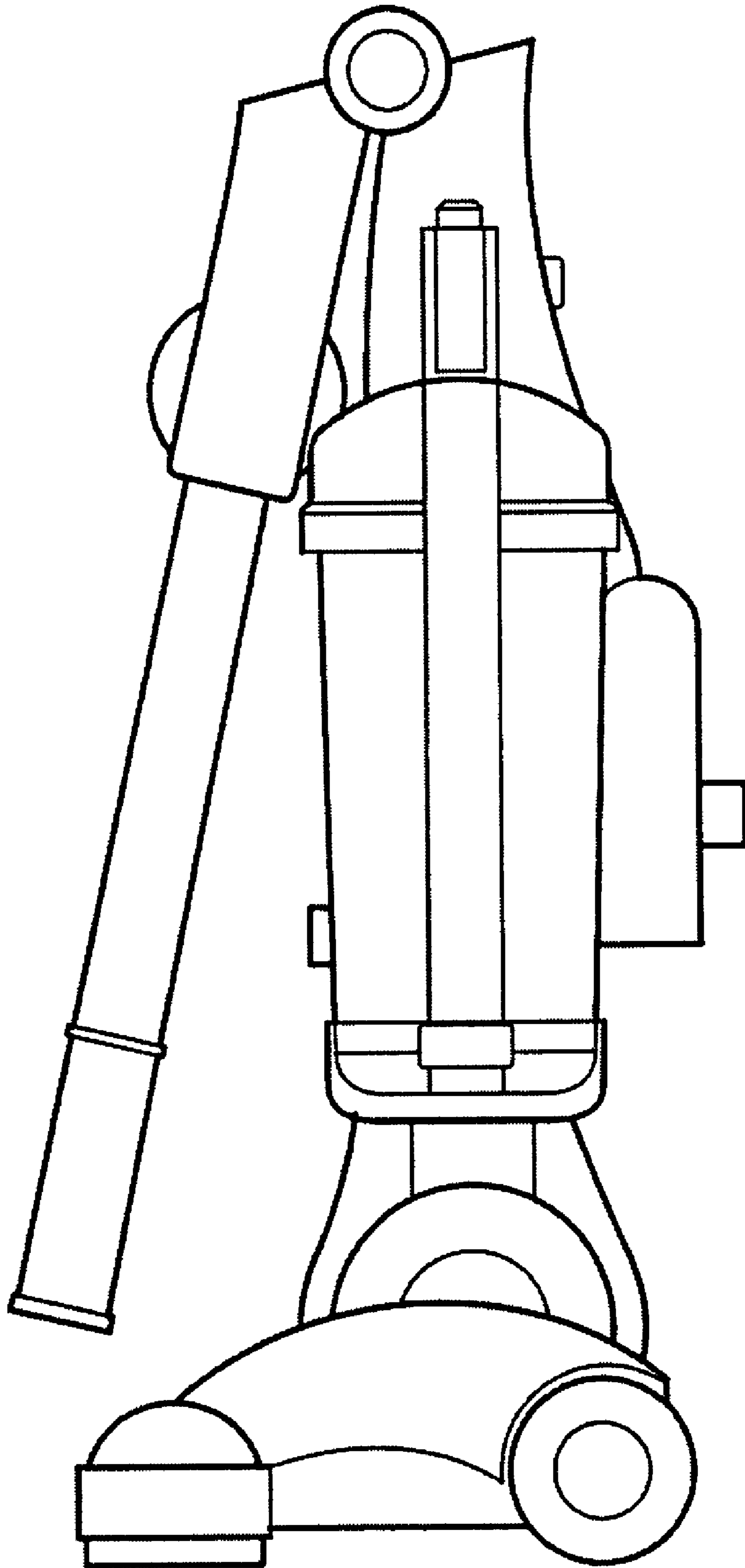


FIG. 11

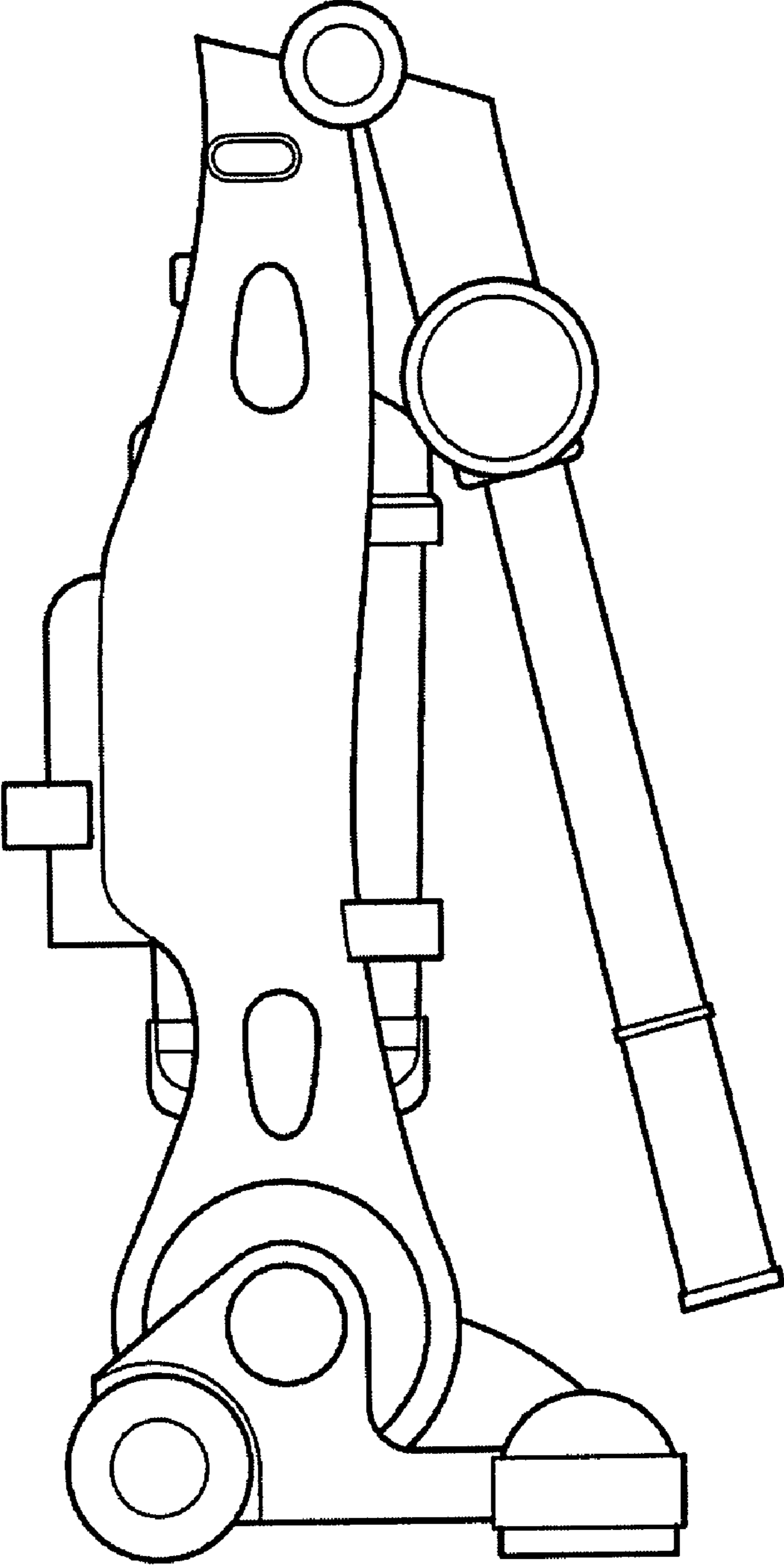


FIG. 12

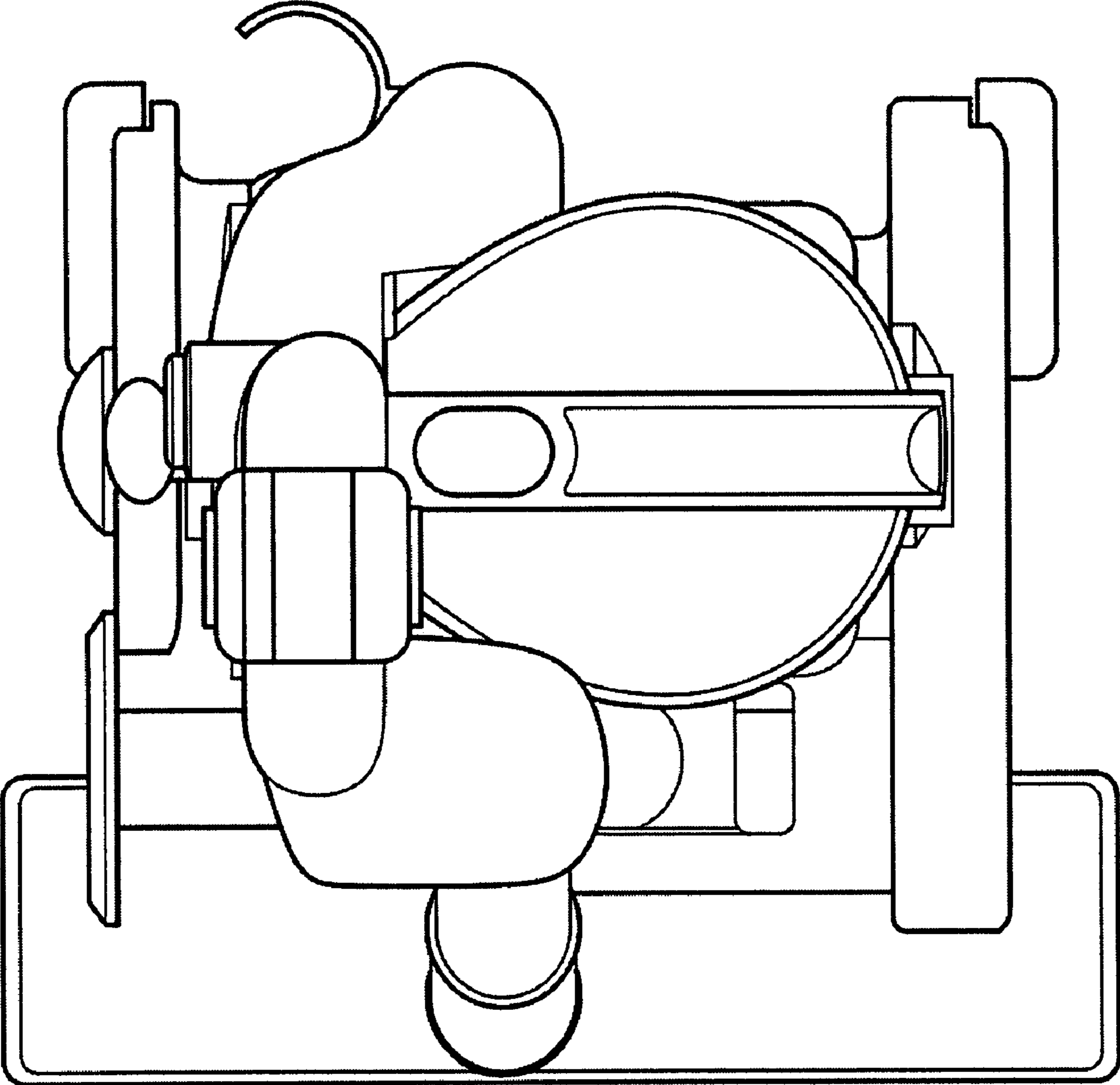


FIG. 13