



US00D575011S

(12) **United States Design Patent**  
**Harris**

(10) **Patent No.:** **US D575,011 S**

(45) **Date of Patent:** **\*\* Aug. 12, 2008**

(54) **PAINTBRUSH CLEANING DEVICE**

(76) **Inventor:** **William John Harris**, Marchant House,  
Tram Road, Upper Cwmbran,  
Monmouthshire (GB) NP44 5AD

(\*\*) **Term:** **14 Years**

(21) **Appl. No.:** **29/247,370**

(22) **Filed:** **Jun. 14, 2006**

(51) **LOC (8) Cl.** ..... **15-05**

(52) **U.S. Cl.** ..... **D32/1**

(58) **Field of Classification Search** ..... D32/1,  
D32/35, 53, 53.1, 54; 15/104.92; D3/304,  
D3/307; D7/312, 316, 317; D9/142, 414,  
D9/428, 319-322

See application file for complete search history.

(56) **References Cited**

**U.S. PATENT DOCUMENTS**

2,654,504	A *	10/1953	Hyams	.....	220/736
2,963,727	A *	12/1960	Roberts	.....	15/104.92
D199,505	S *	11/1964	Swett et al.	.....	D7/629
D293,761	S *	1/1988	St. John Rumble	.....	D7/317
D303,857	S *	10/1989	Hieronymus	.....	D32/35

D314,139	S *	1/1991	Ambasz	.....	D9/523
5,363,870	A *	11/1994	Doyon	.....	134/184
D362,583	S *	9/1995	Weber et al.	.....	D7/321
D406,680	S *	3/1999	Hakker	.....	D32/35
5,935,342	A *	8/1999	Boyd	.....	134/33
6,116,255	A *	9/2000	Walter	.....	134/138

\* cited by examiner

*Primary Examiner*—Louis S. Zarfes

*Assistant Examiner*—Kathleen Sims

(74) *Attorney, Agent, or Firm*—Muskin & Cusick LLC

(57) **CLAIM**

The ornamental design for a paintbrush cleaning device, as shown and described.

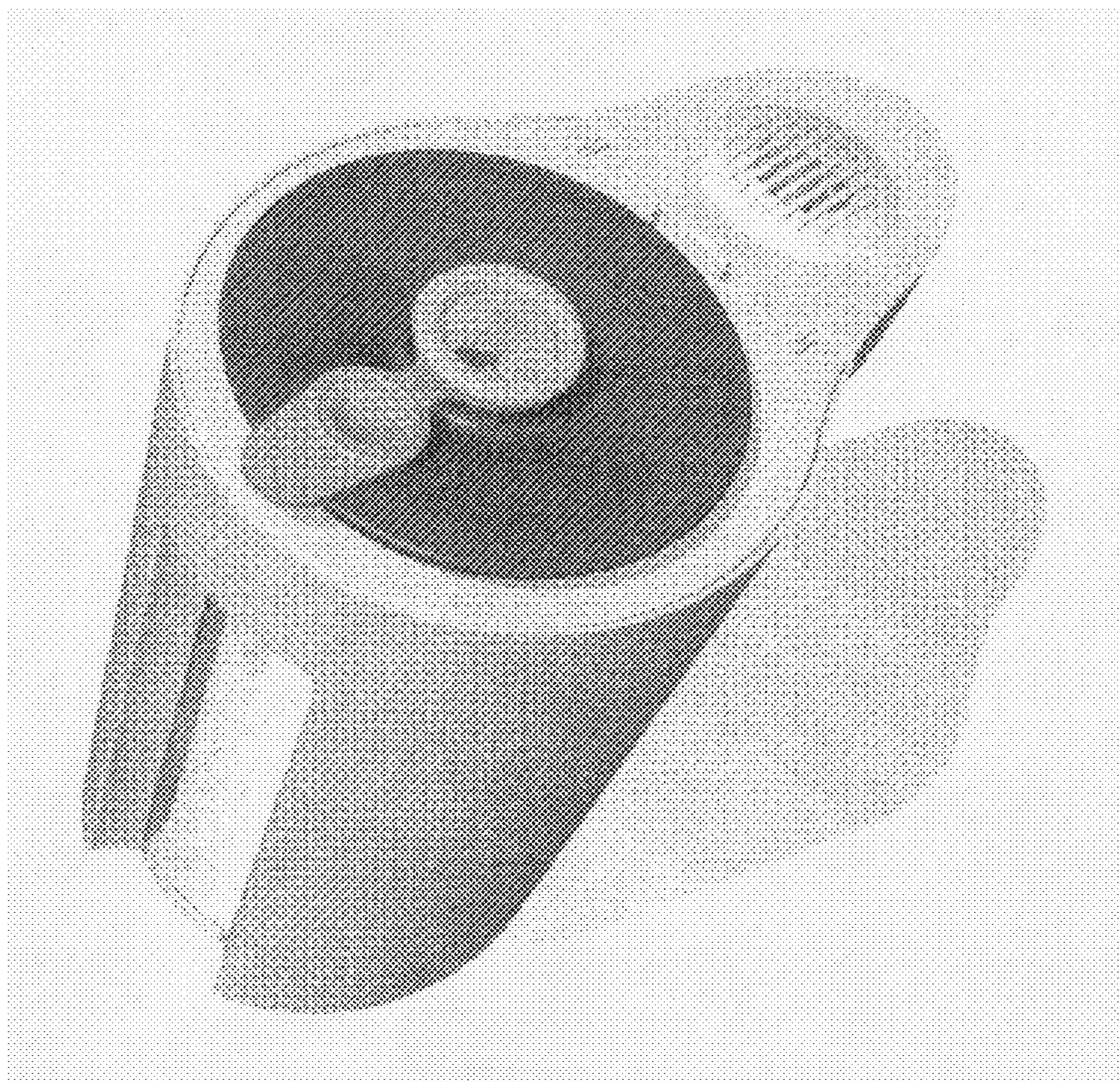
**DESCRIPTION**

FIG. 1 is a top perspective view of a paintbrush cleaning device;

FIG. 2 is a side perspective view of a paintbrush cleaning device; and,

FIG. 3 is a bottom perspective view of a paintbrush cleaning device.

**1 Claim, 3 Drawing Sheets**



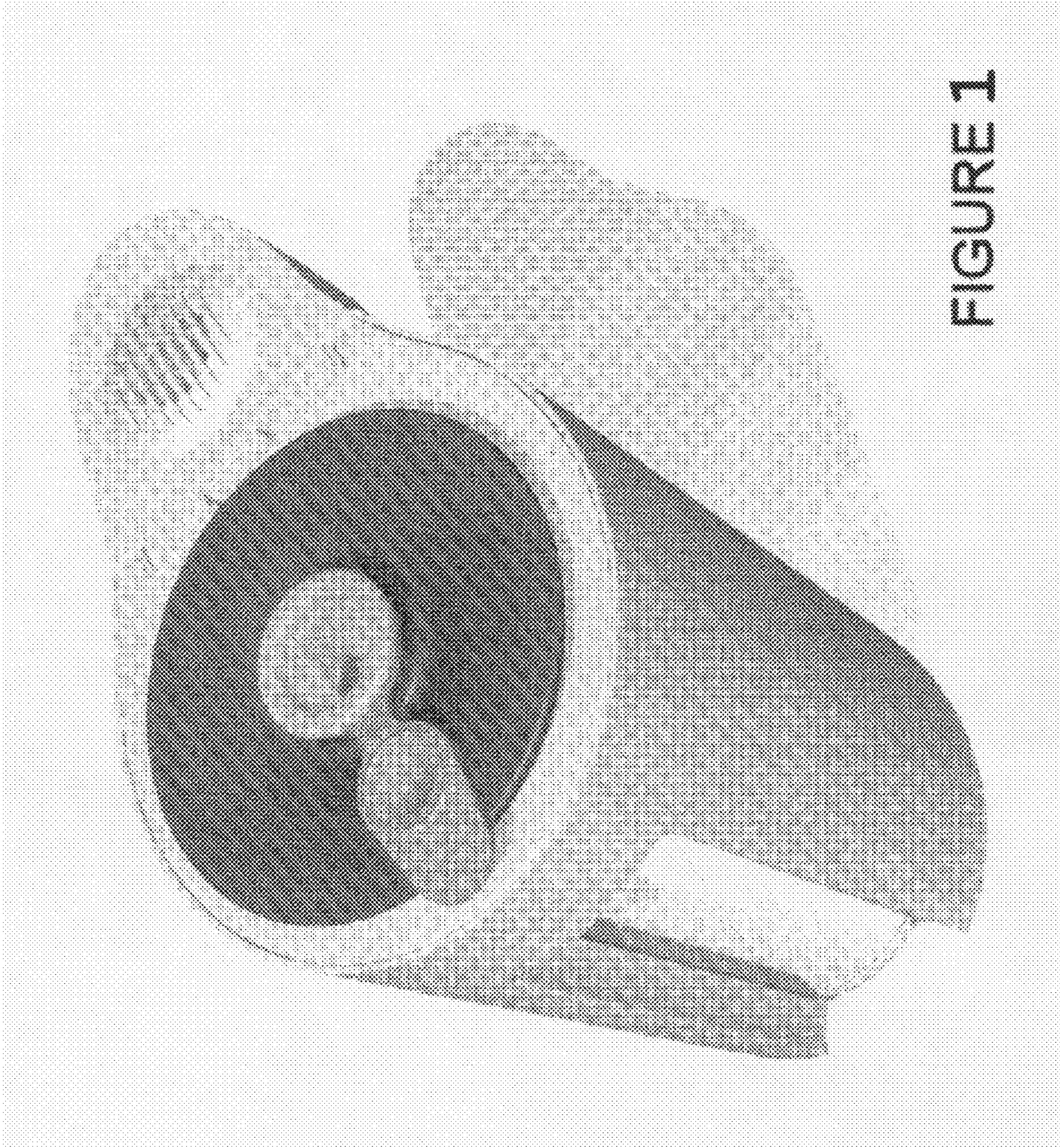
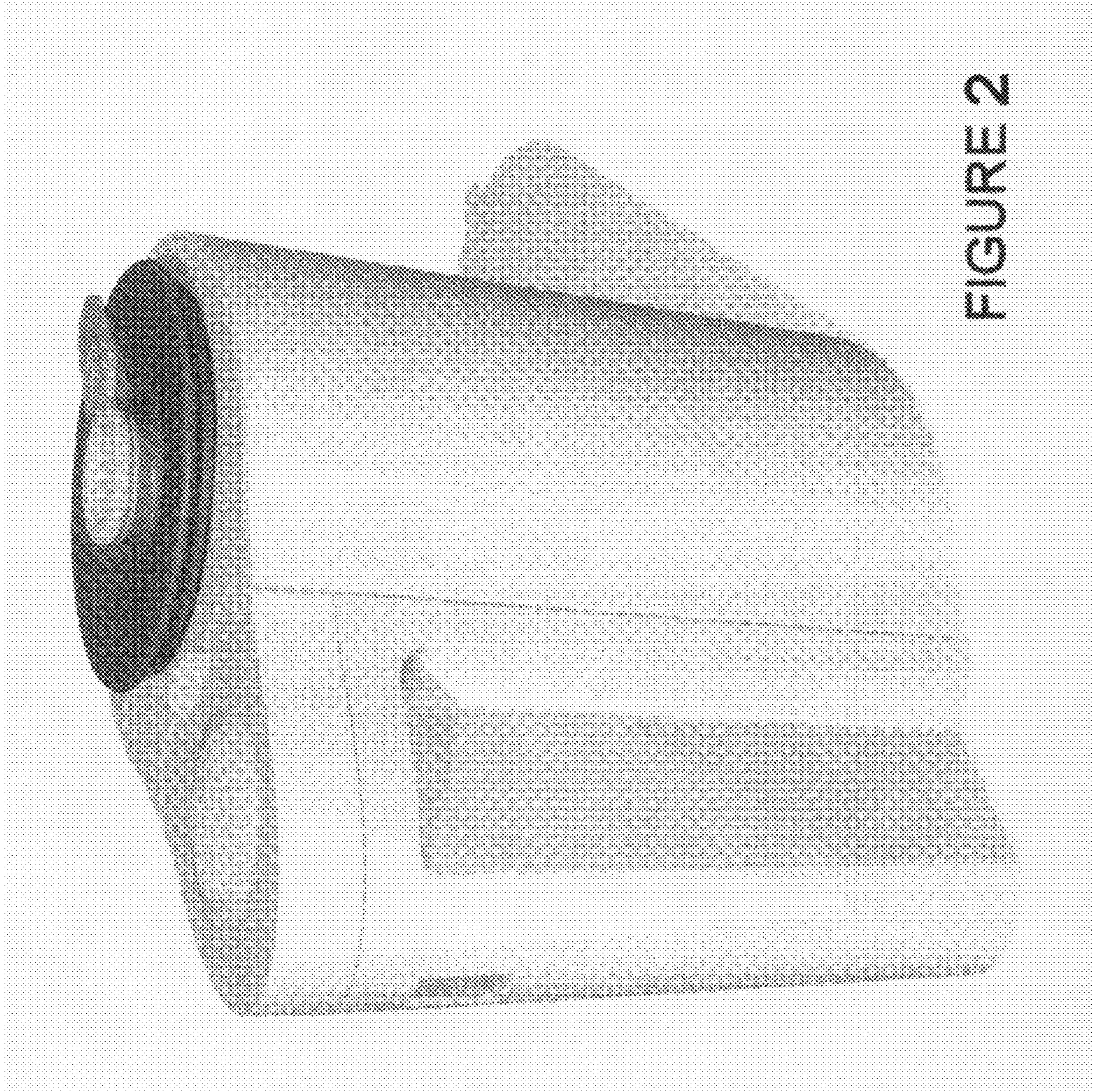


FIGURE 1



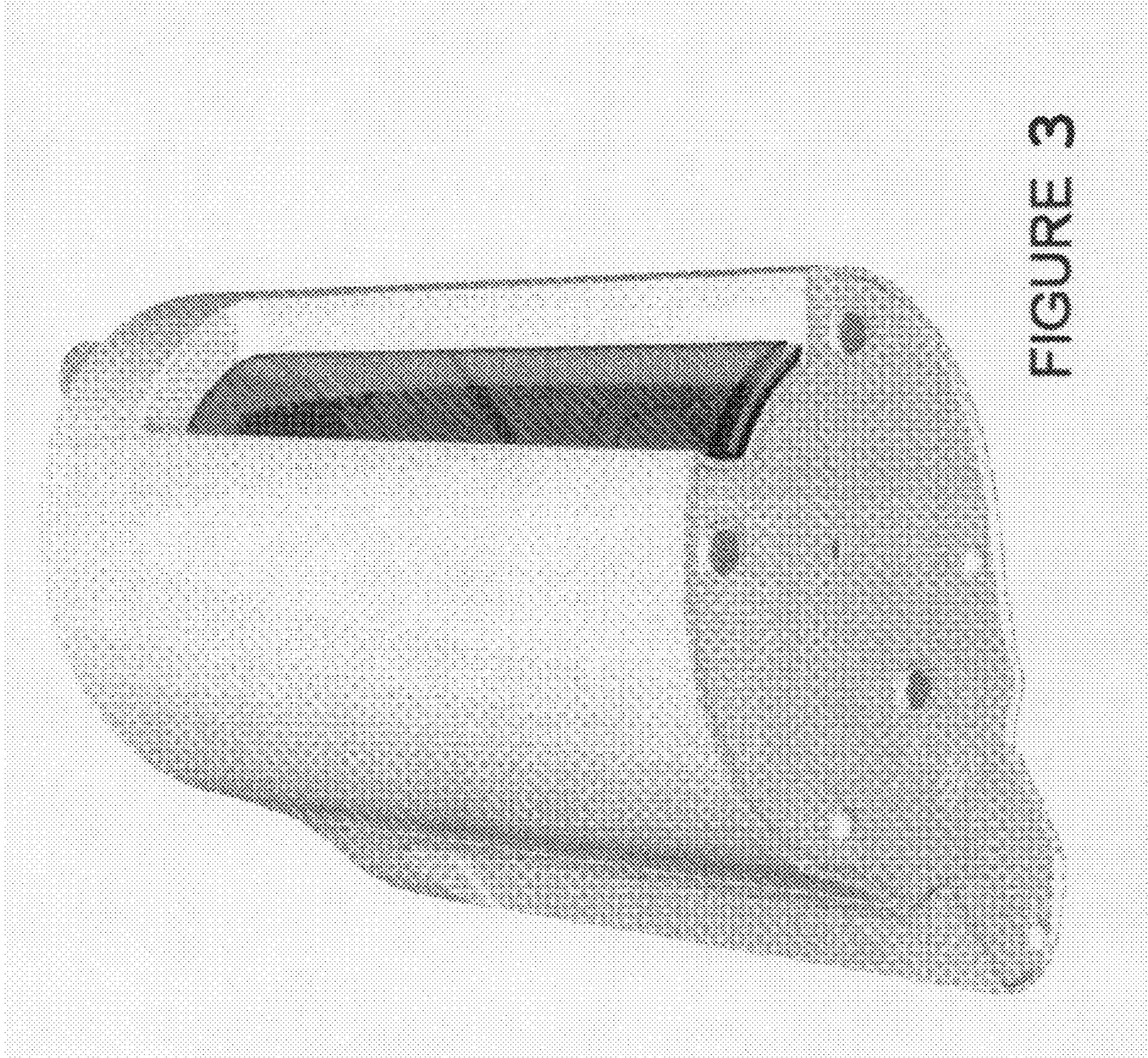


FIGURE 3