



US00D575009S

(12) **United States Design Patent**  
**Murrell et al.**

(10) **Patent No.:** **US D575,009 S**

(45) **Date of Patent:** **\*\* Aug. 12, 2008**

(54) **PET COLLAR**

(75) Inventors: **Tara Murrell**, Leawood, KS (US);  
**Kristin Goodman**, Stillwater, MN (US)

(73) Assignee: **Flux, Inc.**, Leawood, KS (US)

(\*\*) Term: **14 Years**

(21) Appl. No.: **29/249,438**

(22) Filed: **Oct. 6, 2006**

(51) **LOC (8) Cl.** ..... **30-04**

(52) **U.S. Cl.** ..... **D30/152**

(58) **Field of Classification Search** ..... D30/151-155,  
D30/144; 119/850, 855-860, 862-865, 654,  
119/712, 714, 720, 725, 760, 762-776, 791-794,  
119/815, 821, 724, 655, 51.02, 660, 174,  
119/907; 24/16 R, 17 AP, 3.5 P, 188, 662,  
24/324, 3.6, 307, 625, 616, 200, 196, 171,  
24/169, 112, 614, 615, 115 F, 620, 681, 602,  
24/306, 442, 274 R, 302, 300, 301, 298, 323,  
24/16 PB; D11/3, 12, 200, 7, 79-87, 97,  
D11/99, 107, 108, 137, 105, 103, 1, 2, 40-44,  
D11/46-49, 53, 56, 57, 59-61, 63, 65, 89,  
D11/90-92, 101, 106, 114-116, 201, 208-210,  
D11/212-218, 220, 230-234, 236, 237, 94,  
D11/6, 11; D2/609, 627, 624, 632, 635,  
D2/976, 629, 631, 636, 614, 610, 639; 2/300,  
2/311-319, 321, 322, 338, 339, 237, 170,  
2/DIG. 11, 365, 307, 308, 910, 917; D24/195,  
D24/211, 189, 190, 192; D3/207-212, 270-271.3,  
D3/327; D26/38; 206/37.1, 38.1; D6/302-304;  
70/456 R, 456 B, 458, 459, 18, 49, 58; D8/1,  
D8/34, 38, 18, 394, 382, 396; 54/19.1; 63/1.11,  
63/3.1, 3.2, 3, 9, 37, 38, 18-20, 23, 12, 13,  
63/14.1, 21, 31, 15.2, 15, 1.13, 5.1, 1.1; 59/85,  
59/89; 424/409; 43/131; 446/314, 376;  
428/28; 606/203, 204, 201; 602/62; 128/876,  
128/DIG. 15; 40/633; 473/212, 216; 604/20;  
231/7; 361/232

See application file for complete search history.

(56) **References Cited**

U.S. PATENT DOCUMENTS

394,506 A *	12/1888	Riley	.....	119/863
2,213,118 A *	8/1940	Bowers	.....	2/8.1
2,438,409 A *	3/1948	Malcom	.....	2/8.1
3,444,560 A *	5/1969	Northup, Jr.	.....	2/8.1
D214,736 S *	7/1969	Anderson et al.	.....	D30/152

(Continued)

*Primary Examiner*—Melanie Tung

*Assistant Examiner*—Susan Moon Lee

(74) *Attorney, Agent, or Firm*—Husch Blackwell Sanders  
LLP

(57) **CLAIM**

We claim the ornamental design for a pet collar, as shown and described.

**DESCRIPTION**

FIG. 1 is a perspective view of a pet collar embodying our new design;

FIG. 2 is a front elevational thereof;

FIG. 3 is a left side elevational view thereof;

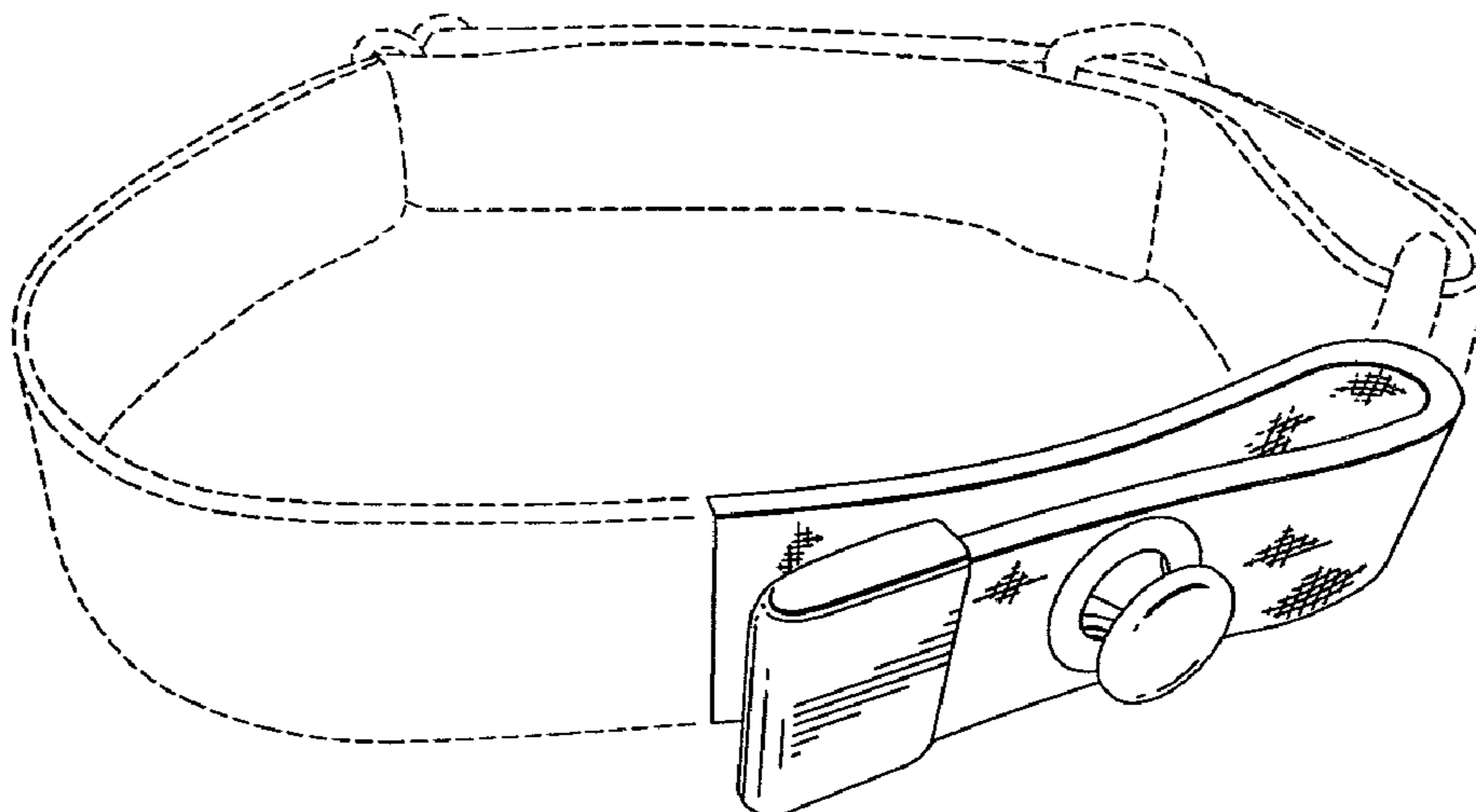
FIG. 4 is a top plan thereof;

FIG. 5 is a rear view thereof; and,

FIG. 6 is a right side elevational view thereof.

The shading that indicates texture is intended to describe the whole surface of the band.

**1 Claim, 2 Drawing Sheets**



# US D575,009 S

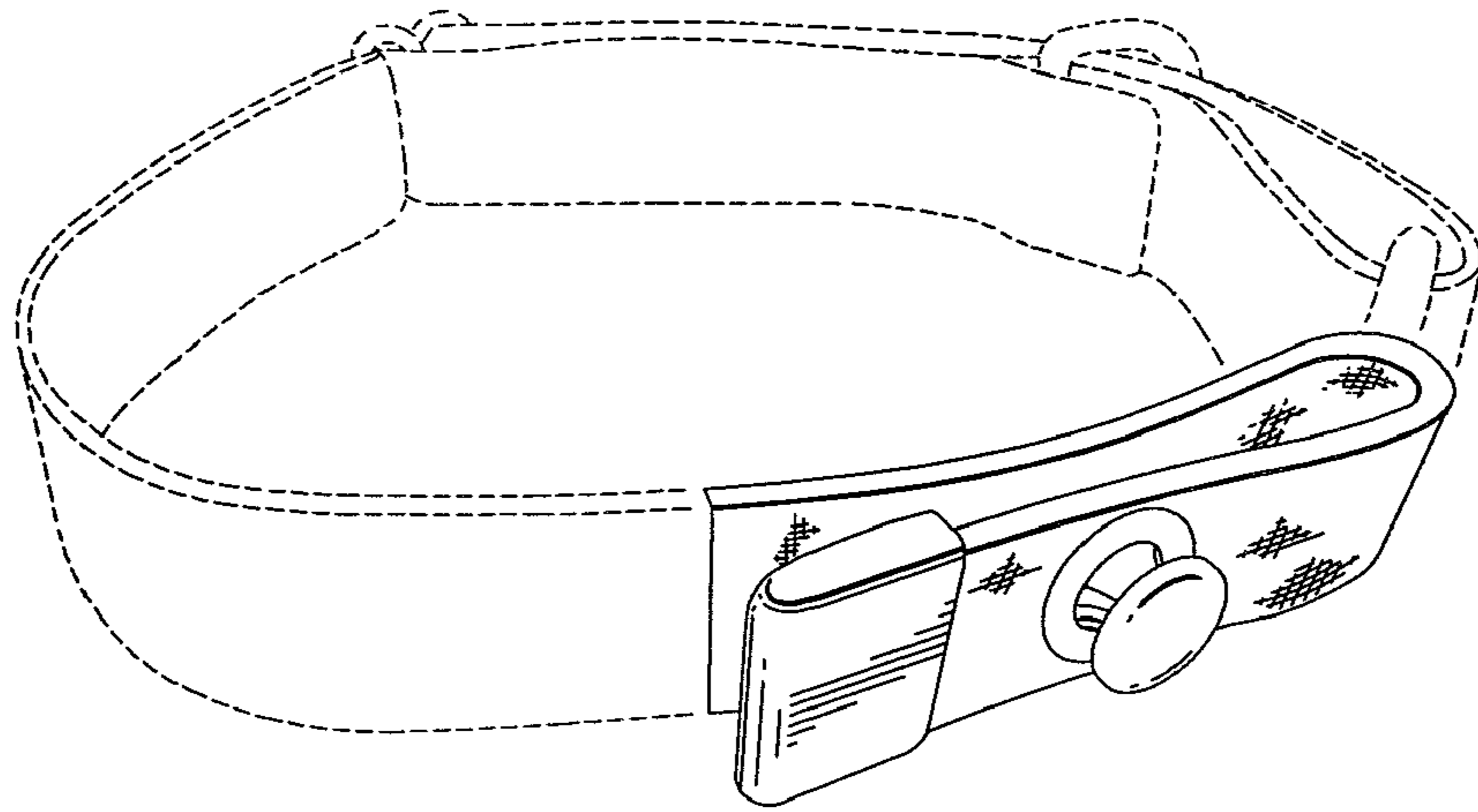
Page 2

---

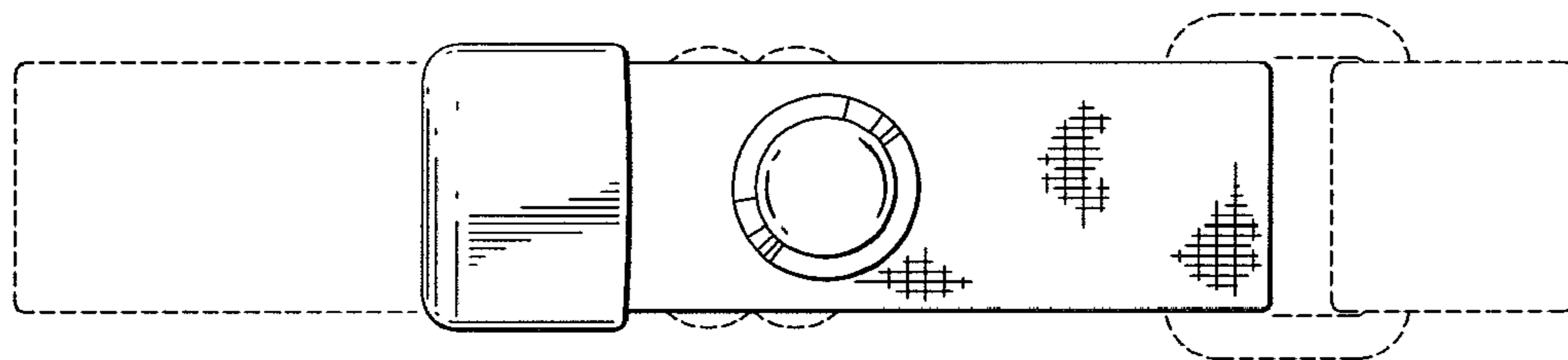
## U.S. PATENT DOCUMENTS

3,641,984	A *	2/1972	Lanus	.....	119/863	6,205,956	B1 *	3/2001	Dickie et al.	.....	119/792
4,273,130	A *	6/1981	Simpson	.....	606/203	6,215,639	B1 *	4/2001	Hee	.....	361/212
D322,871	S *	12/1991	Heyman et al.	.....	D30/152	6,283,065	B1 *	9/2001	Shorrock et al.	.....	119/863
5,197,413	A *	3/1993	Gyr	.....	119/858	D470,793	S *	2/2003	Horn et al.	.....	D11/200
D352,804	S *	11/1994	Bland, Jr.	.....	D30/152	D521,410	S *	5/2006	Nottingham et al.	.....	D11/216
D356,433	S *	3/1995	Humphrey	.....	D2/614	2002/0035968	A1 *	3/2002	Prusia et al.	.....	119/792
6,027,521	A *	2/2000	Ourada	.....	606/204	2002/0065479	A1 *	5/2002	Gordon	.....	604/20

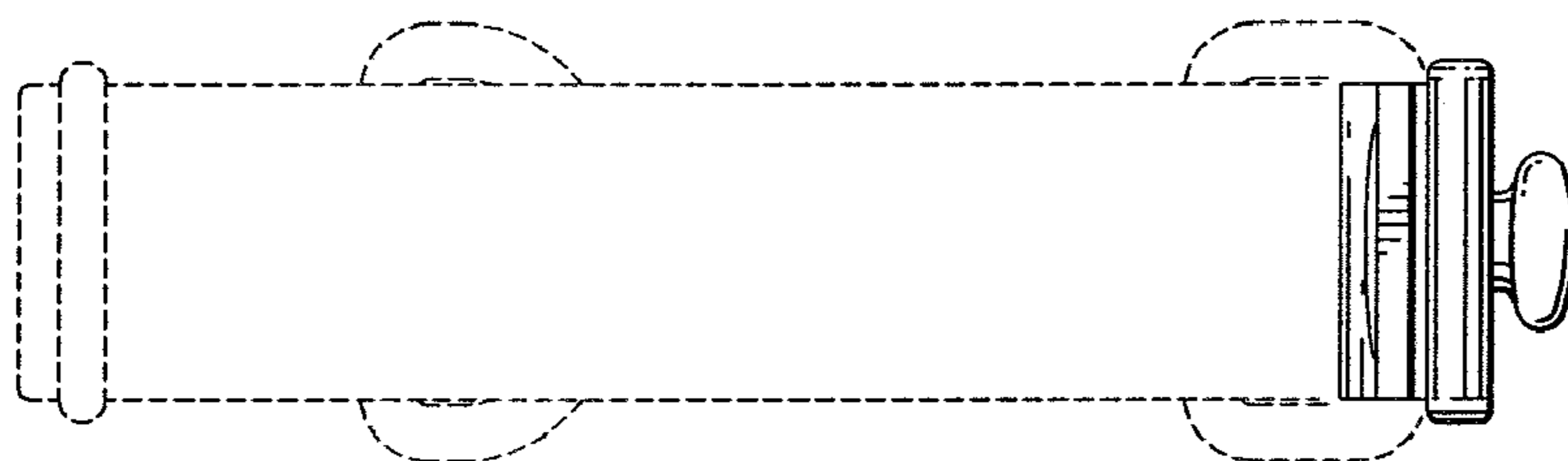
\* cited by examiner



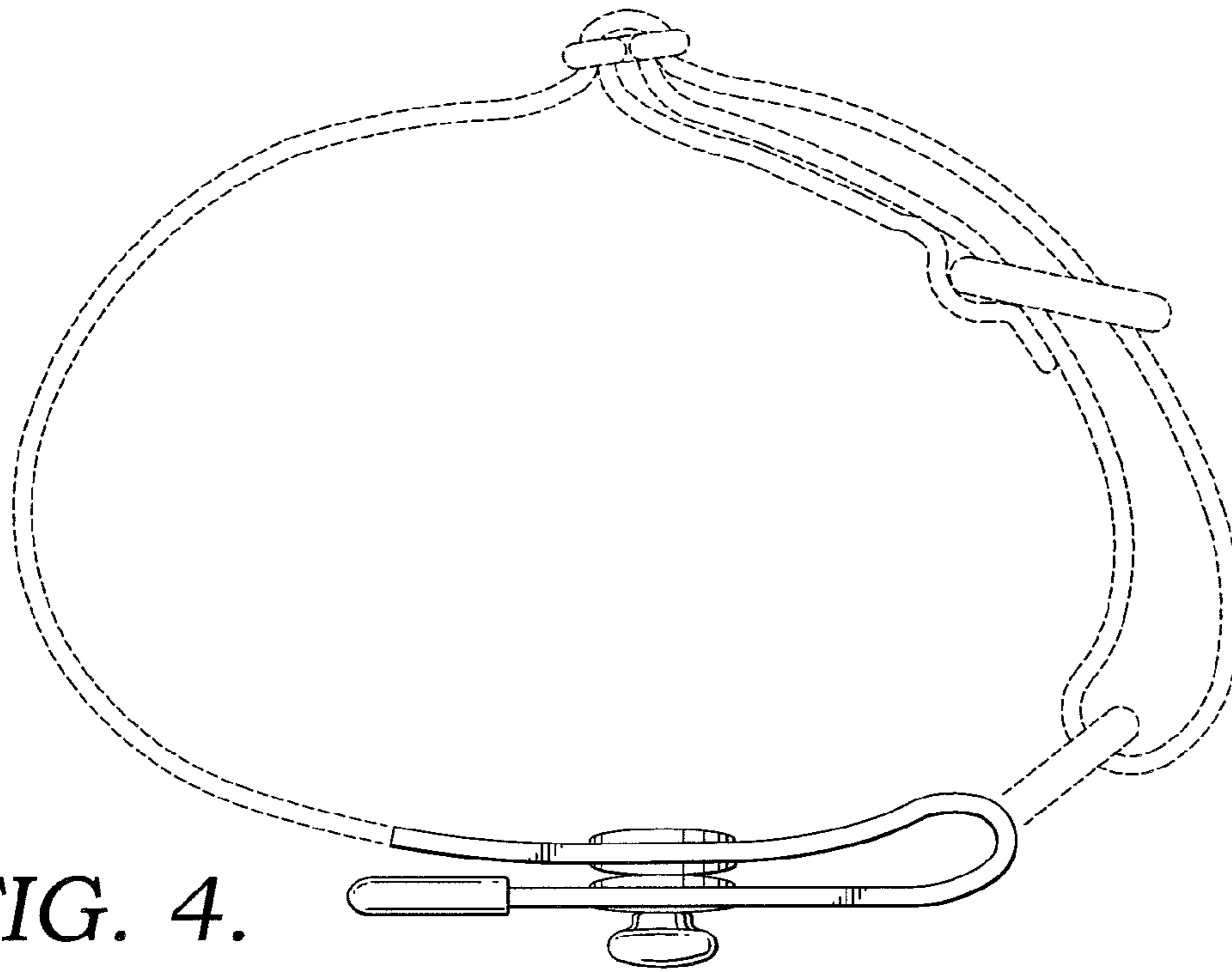
*FIG. 1.*



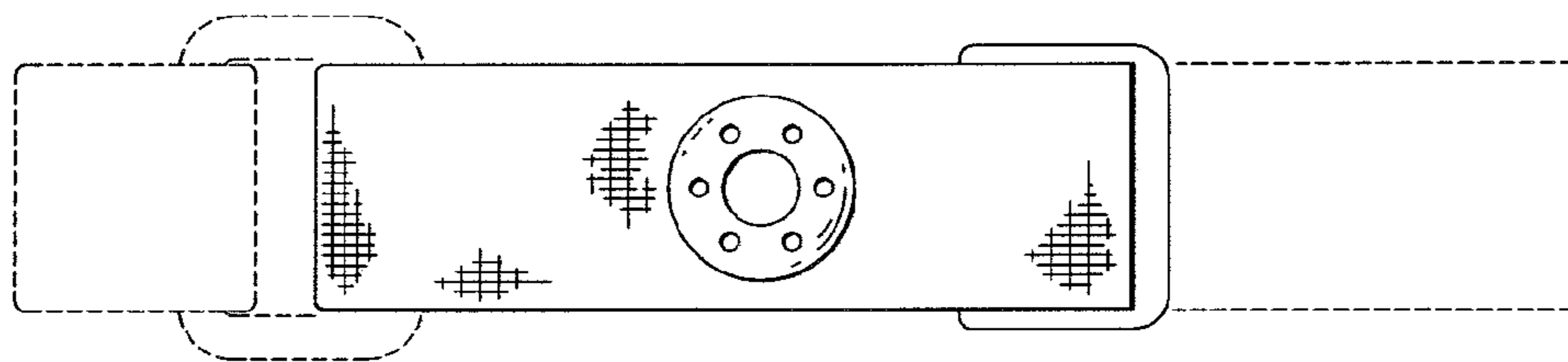
*FIG. 2.*



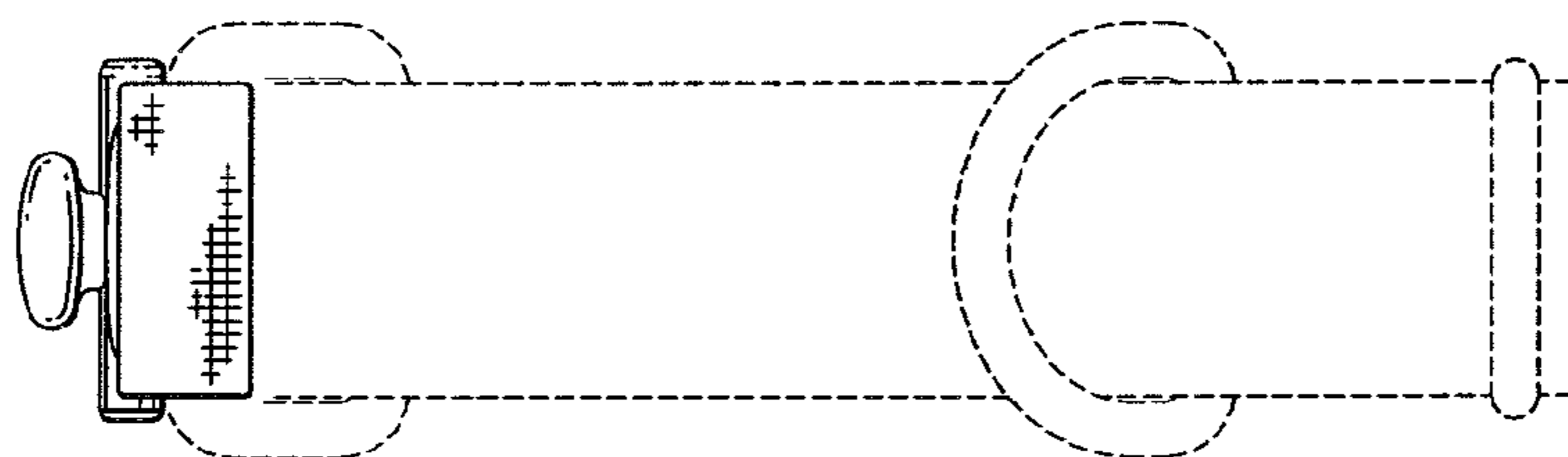
*FIG. 3.*



*FIG. 4.*



*FIG. 5.*



*FIG. 6.*