



US00D575001S

(12) **United States Design Patent**
Park

(10) **Patent No.:** **US D575,001 S**

(45) **Date of Patent:** **** Aug. 12, 2008**

(54) **NAIL CARE INSTRUMENT**

(75) **Inventor:** **Il-Yong Park**, Seoul (KR)

(73) **Assignee:** **Shinwoonion Co., Ltd**, Seoul (KR)

(**) **Term:** **14 Years**

(21) **Appl. No.:** **29/302,178**

(22) **Filed:** **Jan. 11, 2008**

(30) **Foreign Application Priority Data**

Aug. 6, 2007 (KR) 30-2007-0033615

(51) **LOC (8) Cl.** **28-03**

(52) **U.S. Cl.** **D28/57; D28/59; D28/60;**
D28/55

(58) **Field of Classification Search** D28/57,
D28/59, 60, 55; 132/73, 73.5, 75, 75.3, 75.4,
132/75.5, 75.6, 76.2, 76.4, 76.5; 30/26-29;
D24/147

See application file for complete search history.

(56) **References Cited**

U.S. PATENT DOCUMENTS

2,575,652 A * 11/1951 Bovee 132/75.4
3,261,094 A * 7/1966 Bliss 132/75.5
D242,959 S * 1/1977 Saito D28/60

5,666,728 A * 9/1997 Silva 30/28
D435,318 S * 12/2000 Rieser D28/59
D546,502 S * 7/2007 Lund et al. D28/60
D551,802 S * 9/2007 Rubin et al. D28/60

* cited by examiner

Primary Examiner—Jennifer Rivard

(74) *Attorney, Agent, or Firm*—Gottlieb, Rackman & Reisman, P.C.

(57) **CLAIM**

The ornamental design for a nail care instrument, as shown and described.

DESCRIPTION

FIG. 1 is a perspective view of the nail care instrument showing my new design;

FIG. 2 is a front elevation view thereof;

FIG. 3 is a rear elevation view thereof;

FIG. 4 is a top plan view thereof;

FIG. 5 is a bottom plan view thereof;

FIG. 6 is a left side elevation view thereof;

FIG. 7 is a right side elevation view thereof; and,

FIG. 8 is a perspective view of the nail care instrument in an opened position.

1 Claim, 3 Drawing Sheets

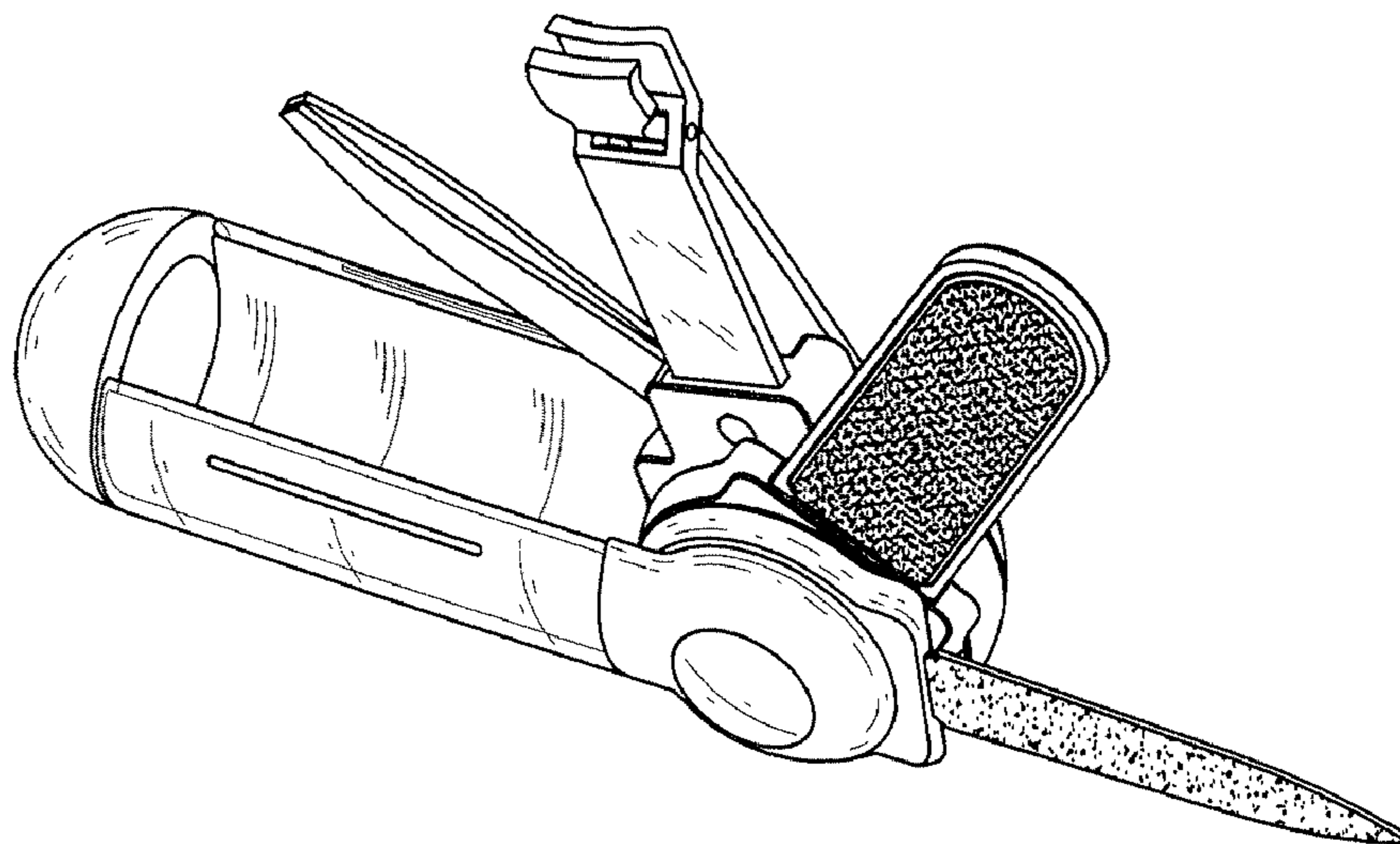
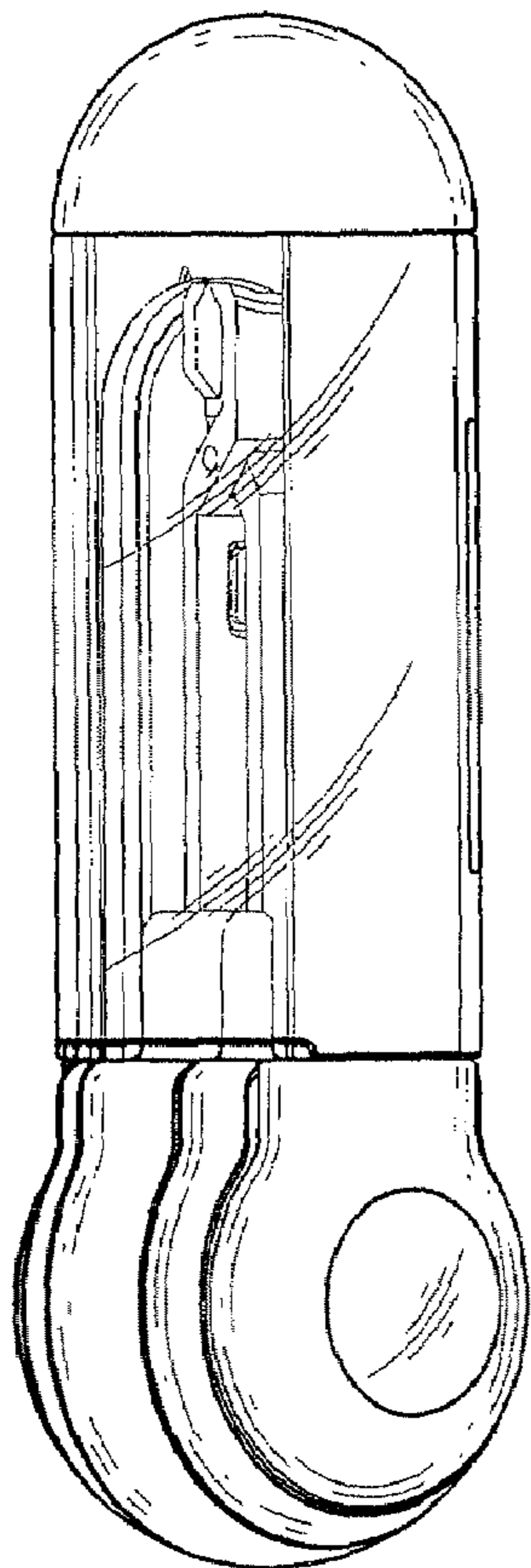


FIG. 1

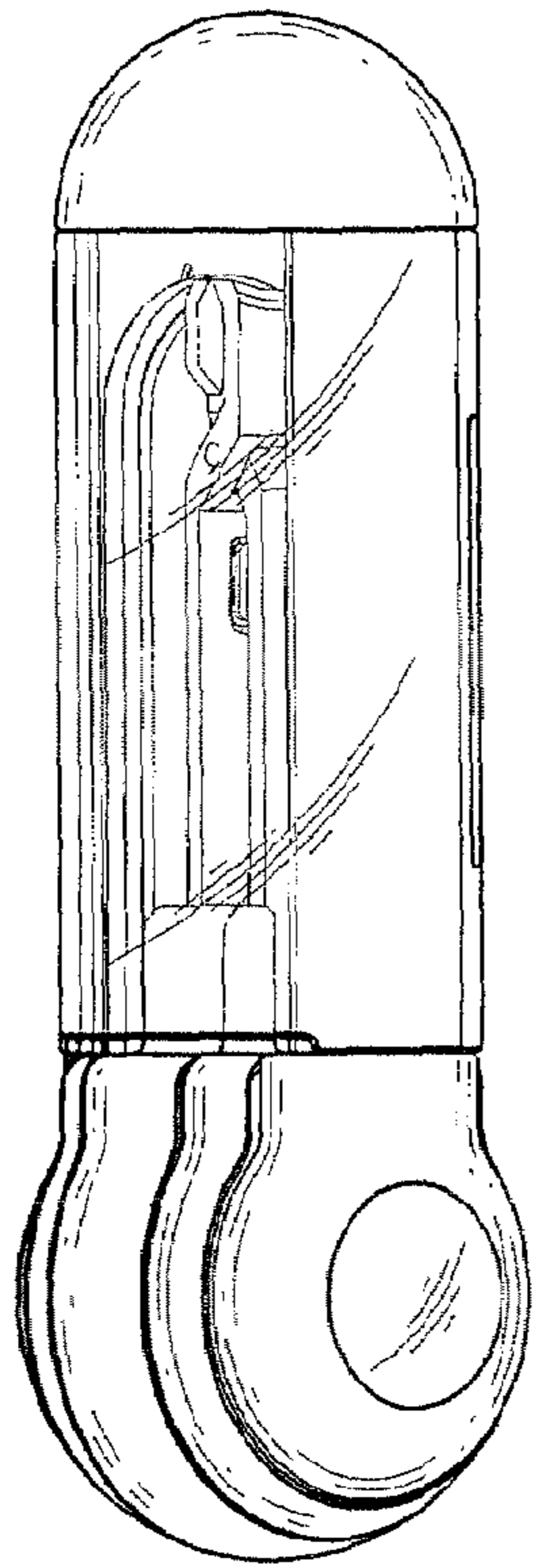


FIG. 2

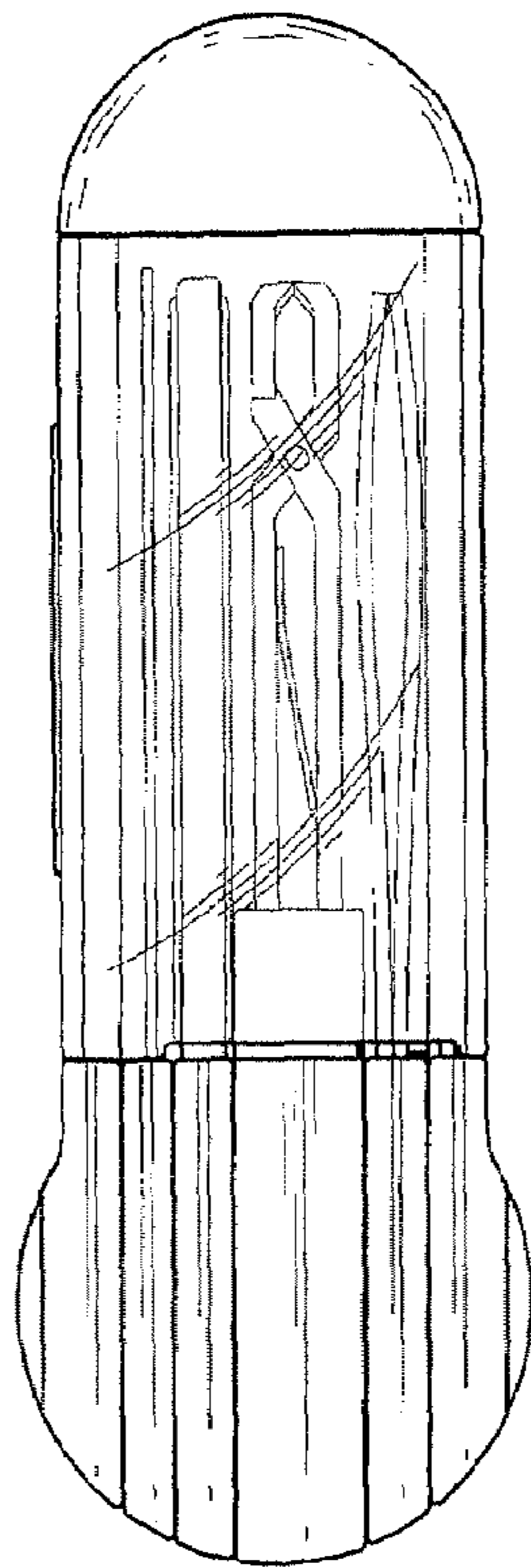


FIG. 3

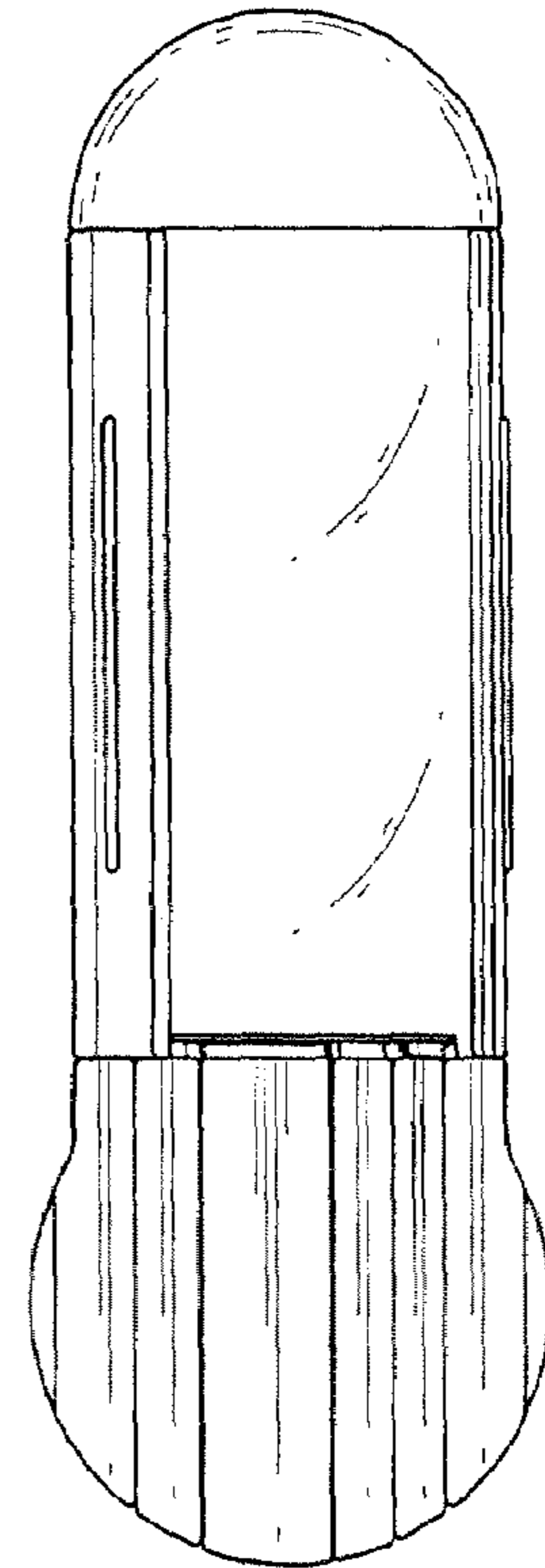


FIG. 4

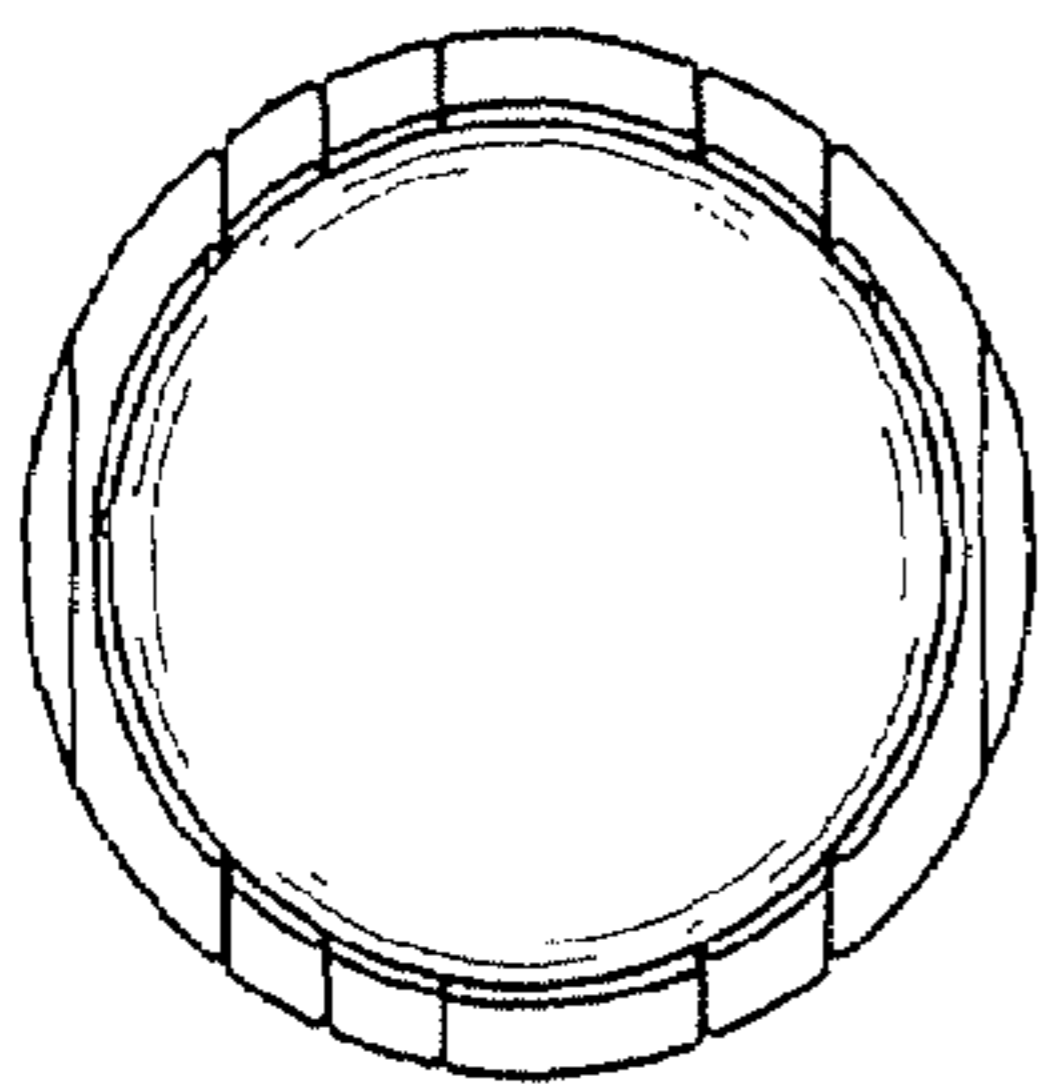


FIG. 5

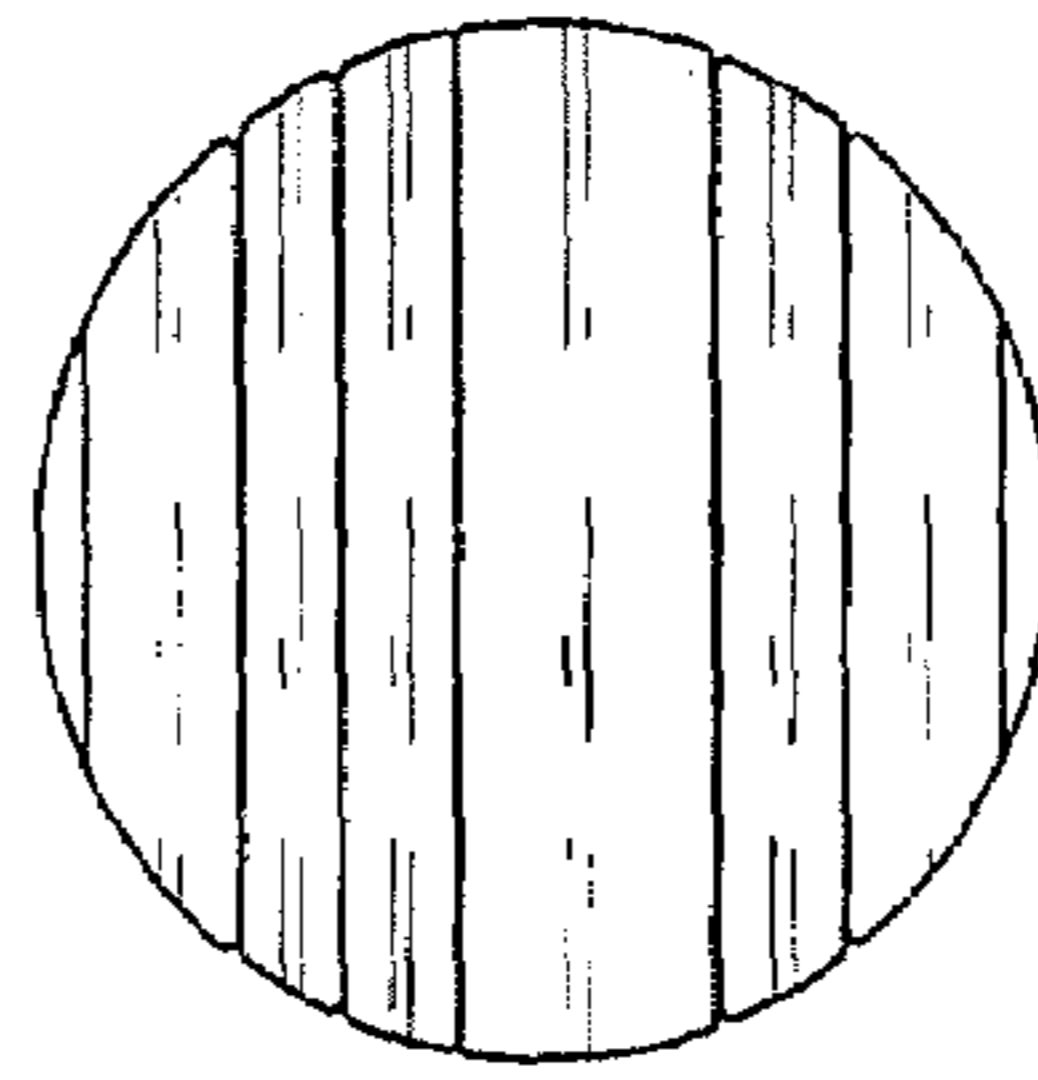


FIG. 6

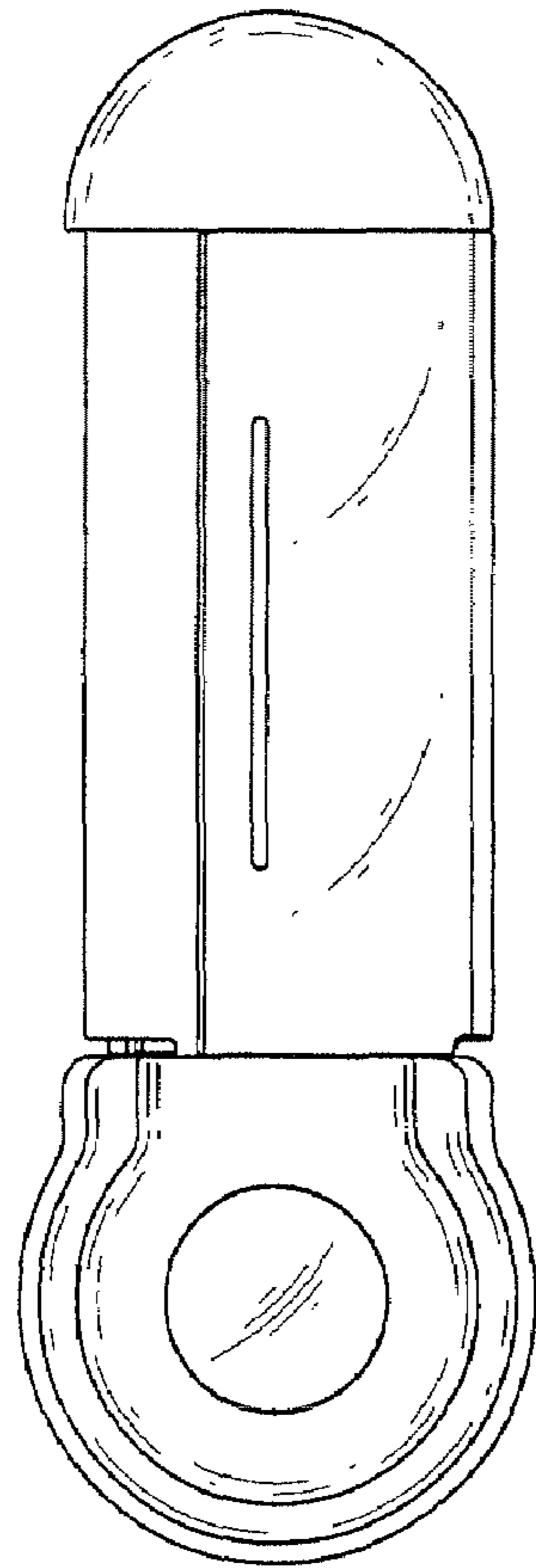


FIG. 7

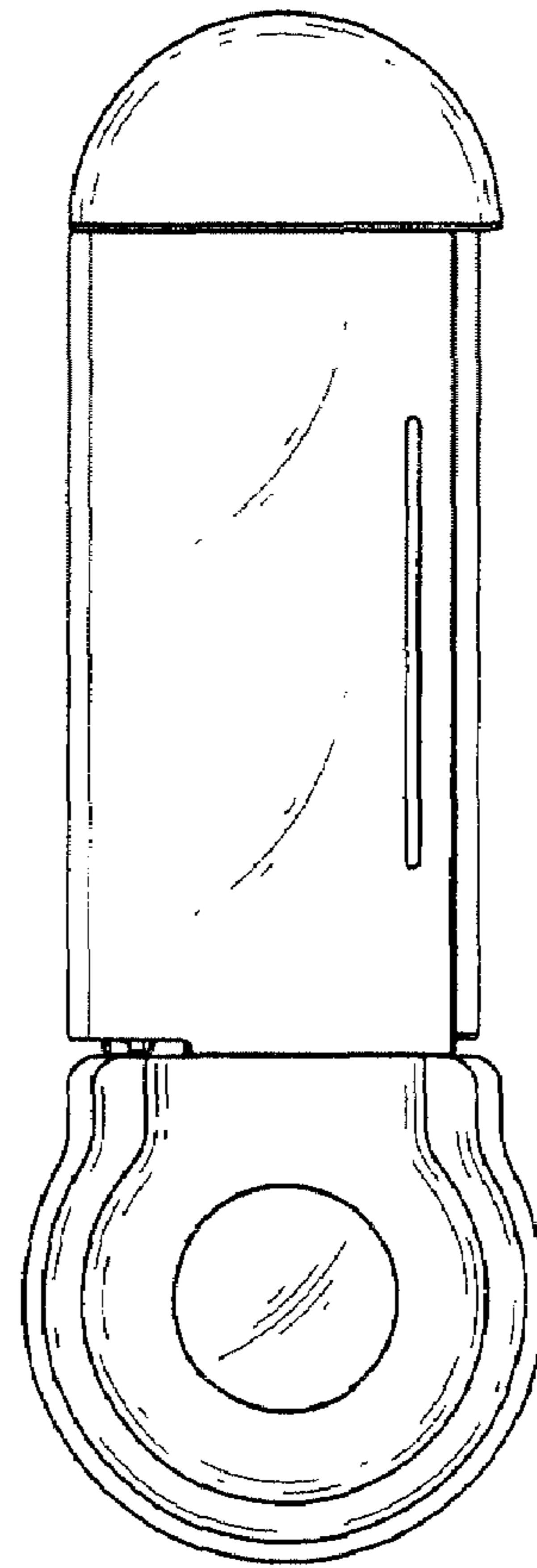


FIG. 8

