



US00D575000S

(12) **United States Design Patent**  
**Warnett**

(10) **Patent No.:** **US D575,000 S**

(45) **Date of Patent:** **\*\* Aug. 12, 2008**

(54) **SECTIONING COMB**

(76) **Inventor:** **Lucy Victoria Warnett**, 19 Santa Dr.,  
Pittsford, NY (US) 14534

(\*\*) **Term:** **14 Years**

(21) **Appl. No.:** **29/270,672**

(22) **Filed:** **Dec. 29, 2006**

(51) **LOC (8) Cl.** ..... **21-03**

(52) **U.S. Cl.** ..... **D28/21**

(58) **Field of Classification Search** ..... D28/21-34;  
132/101, 126, 128-131, 144, 148, 219  
See application file for complete search history.

(56) **References Cited**

**U.S. PATENT DOCUMENTS**

|           |   |   |         |                 |       |         |
|-----------|---|---|---------|-----------------|-------|---------|
| 862,133   | A | * | 8/1907  | Carper          | ..... | 132/161 |
| D108,347  | S | * | 2/1938  | Schelhammer     | ..... | D28/21  |
| D143,972  | S | * | 2/1946  | Kahn            | ..... | D28/21  |
| 3,628,545 | A | * | 12/1971 | Moody           | ..... | 132/219 |
| D247,823  | S | * | 5/1978  | Romani          | ..... | D28/21  |
| D403,809  | S | * | 1/1999  | Stephens et al. | ..... | D28/21  |
| D405,228  | S | * | 2/1999  | Lucero          | ..... | D28/25  |
| D406,391  | S | * | 3/1999  | Lucero          | ..... | D28/25  |

|          |   |   |         |              |       |        |
|----------|---|---|---------|--------------|-------|--------|
| D468,863 | S | * | 1/2003  | Irving       | ..... | D28/21 |
| D477,688 | S | * | 7/2003  | Cheung       | ..... | D28/21 |
| D482,492 | S | * | 11/2003 | Cheung       | ..... | D28/44 |
| D496,128 | S | * | 9/2004  | Antonopoulos | ..... | D28/21 |

\* cited by examiner

*Primary Examiner*—Janice E. Seeger

*Assistant Examiner*—Zenia I Bennett

(74) *Attorney, Agent, or Firm*—Laura A. Myers

(57) **CLAIM**

The ornamental design for a sectioning comb, as shown.

**DESCRIPTION**

FIG. 1 is a left side perspective view of the sectioning comb, showing my new design;

FIG. 2 is a left elevational view thereof;

FIG. 3 is a right elevational view thereof;

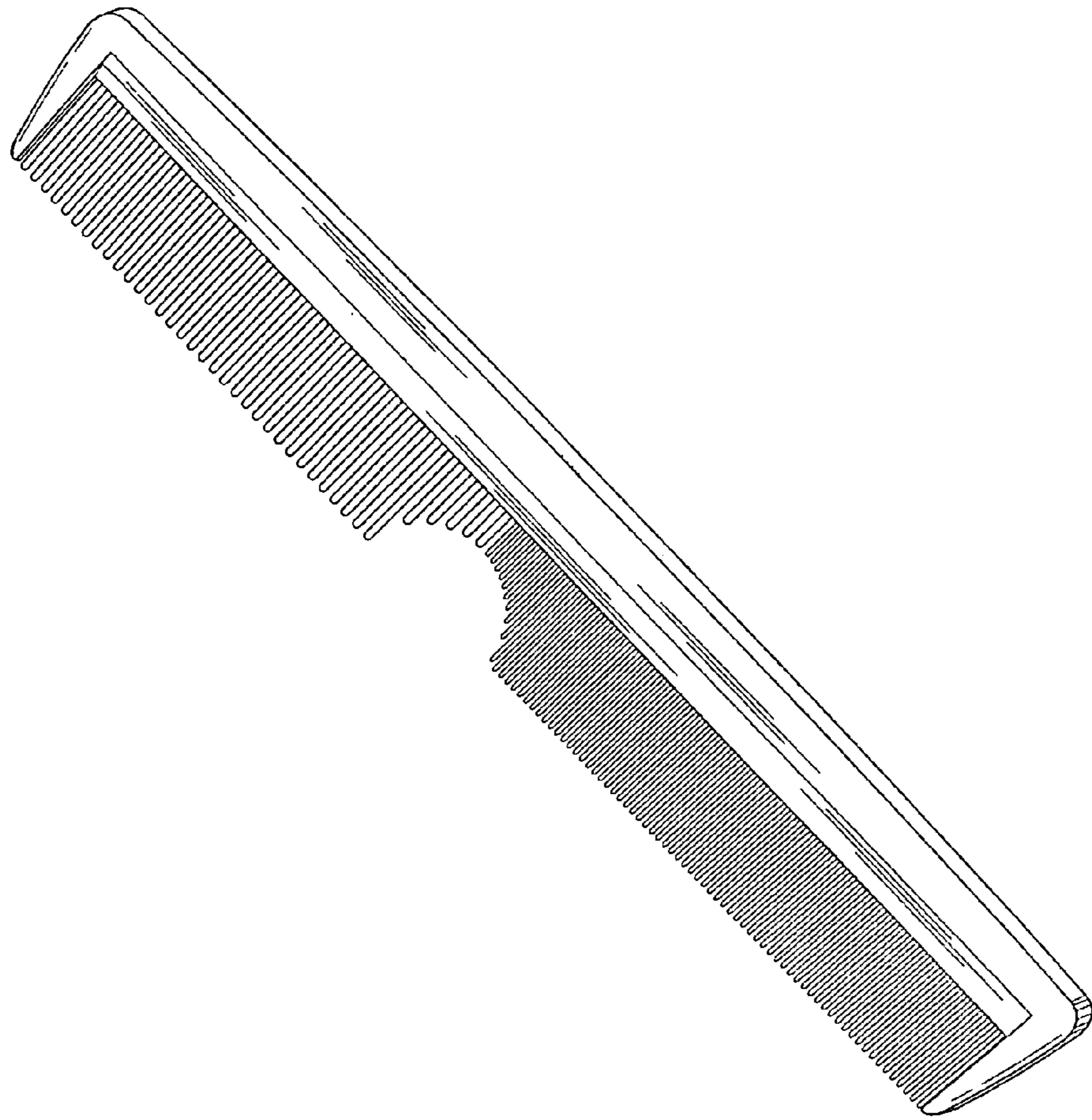
FIG. 4 is a front elevational view thereof;

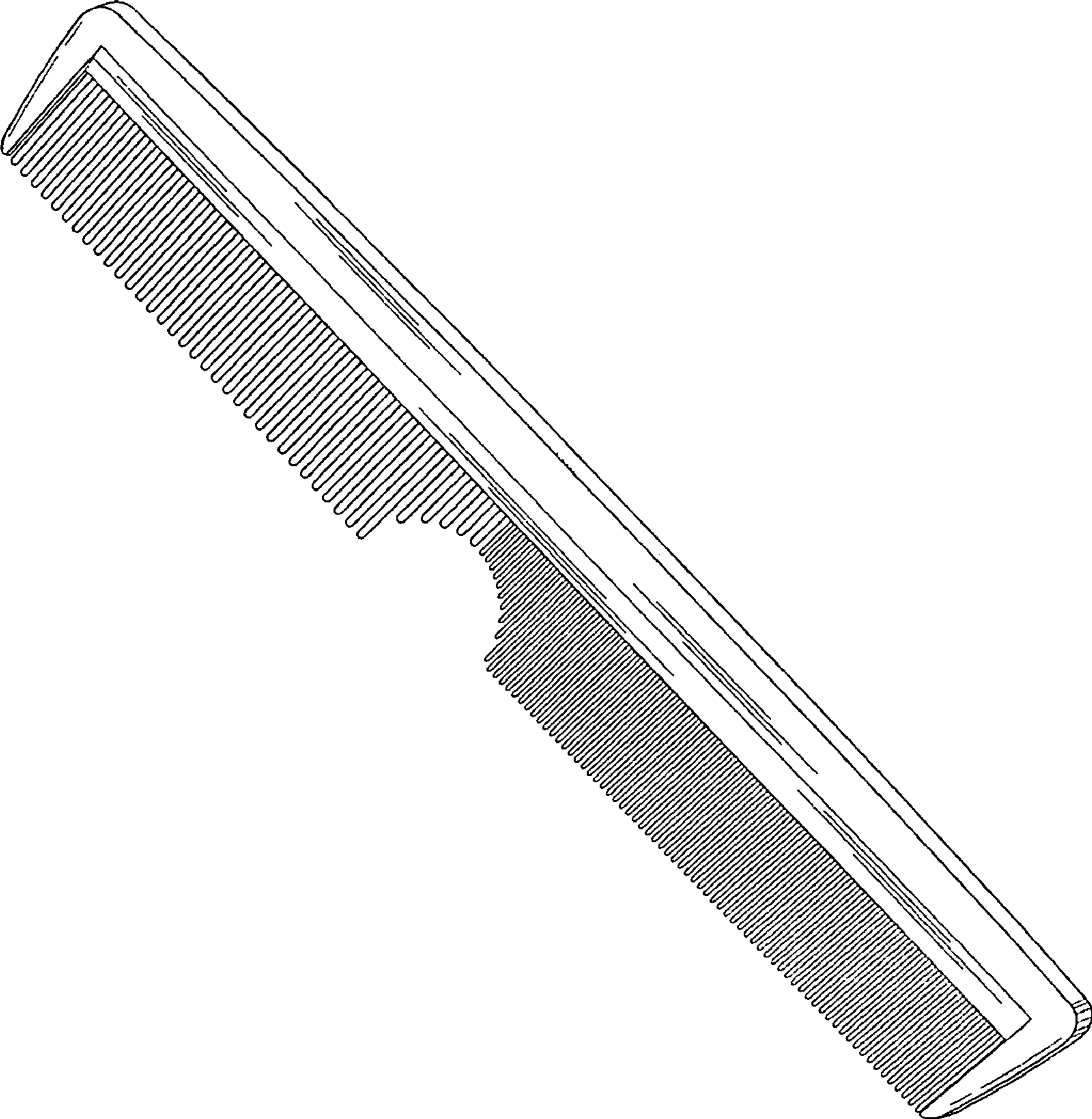
FIG. 5 is a rear elevational view thereof;

FIG. 6 is a top elevational view thereof; and,

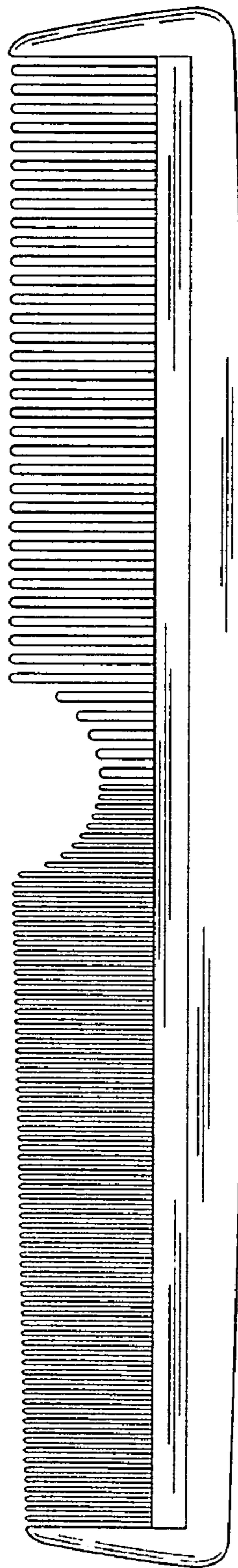
FIG. 7 is a bottom elevational view.

**1 Claim, 3 Drawing Sheets**

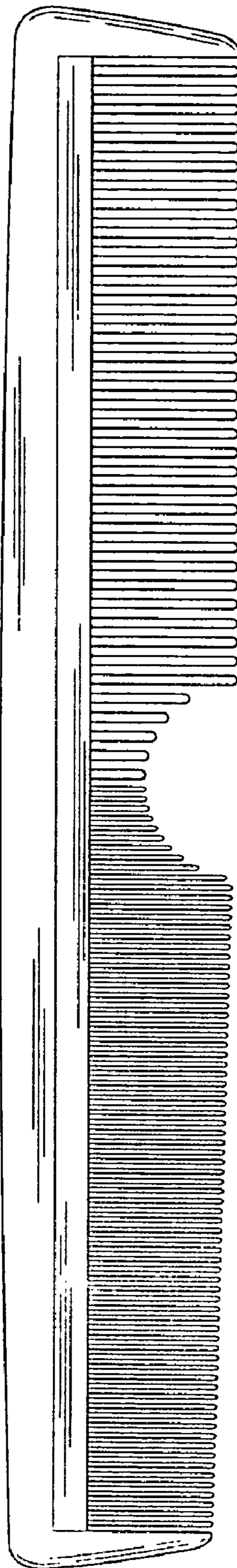




*Fig. 1*



*Fig. 2*



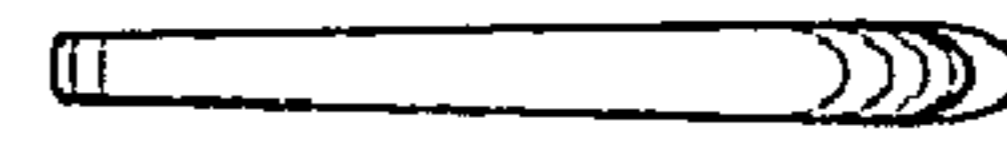
*Fig. 3*



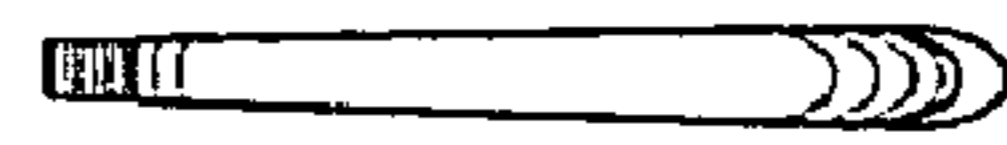
*Fig. 4*



*Fig. 5*



*Fig. 6*



*Fig. 7*