



US00D574994S

(12) **United States Design Patent**
Boyer

(10) **Patent No.:** **US D574,994 S**

(45) **Date of Patent:** **** Aug. 12, 2008**

(54) **LIGHTING FIXTURE**

(75) Inventor: **John Delmore Boyer**, Lebanon, OH
(US)

(73) Assignee: **LSI Industries, Inc.**, Cincinnati, OH
(US)

(**) Term: **14 Years**

(21) Appl. No.: **29/306,578**

(22) Filed: **Apr. 11, 2008**

(51) **LOC (8) Cl.** **26-99**

(52) **U.S. Cl.** **D26/120**

(58) **Field of Classification Search** D26/67,
D26/74, 80, 72, 39, 123, 118, 138, 122, 24,
D26/85, 86, 113, 120, 121, 142, 152; D13/180,
D13/182; 362/364, 365, 97, 84, 612, 555,
362/545, 362, 296, 240, 227, 184, 800
See application file for complete search history.

(56) **References Cited**

U.S. PATENT DOCUMENTS

| | | | | |
|---------------|---------|------------------|-------|---------|
| D85,401 S * | 10/1931 | Stroud | | D26/122 |
| D171,866 S * | 3/1954 | Schreckengost | | D26/122 |
| 2,717,955 A * | 9/1955 | McGinty et al. | | 362/311 |
| 2,997,575 A * | 8/1961 | Schwartz | | 362/364 |
| D212,899 S * | 12/1968 | Vesely et al. | | D26/24 |
| D234,800 S * | 4/1975 | Swartz | | D26/24 |
| D304,860 S * | 11/1989 | O'Dohanue et al. | | D26/67 |
| D308,423 S * | 6/1990 | Galipeau et al. | | D26/67 |
| D312,842 S * | 12/1990 | Younger et al. | | D20/42 |
| D319,513 S | 8/1991 | Vande Kieft | | |

(Continued)

OTHER PUBLICATIONS

Beta LED Delivers The Edge, 2007, Beta Lighting; pp. 1-5.
BLD-PKG-T5-DM, The Edge Parking Structure Light, Feb. 29,
2008; pp. 1-2.

(Continued)

Primary Examiner—Freda S. Nunn

Assistant Examiner—Kevin K Rudzinski

(74) *Attorney, Agent, or Firm*—McDermott Will & Emery,
LLP

(57) **CLAIM**

The ornamental design for lighting fixture, as shown and
described.

DESCRIPTION

FIG. 1 is a perspective view of a first embodiment of the
design of the present invention;

FIG. 2 is a top view of the embodiment depicted in FIG. 1;

FIG. 3 is a bottom view of the embodiment depicted in FIG.
1;

FIG. 4 is a right side view of the embodiment depicted in FIG.
1; the left side view being the same;

FIG. 5 is a front view of the embodiment depicted in FIG. 1;
the back view being the same;

FIG. 6 is a perspective view of a second embodiment of the
design of the present invention;

FIG. 7 is a top view of the embodiment depicted in FIG. 6;

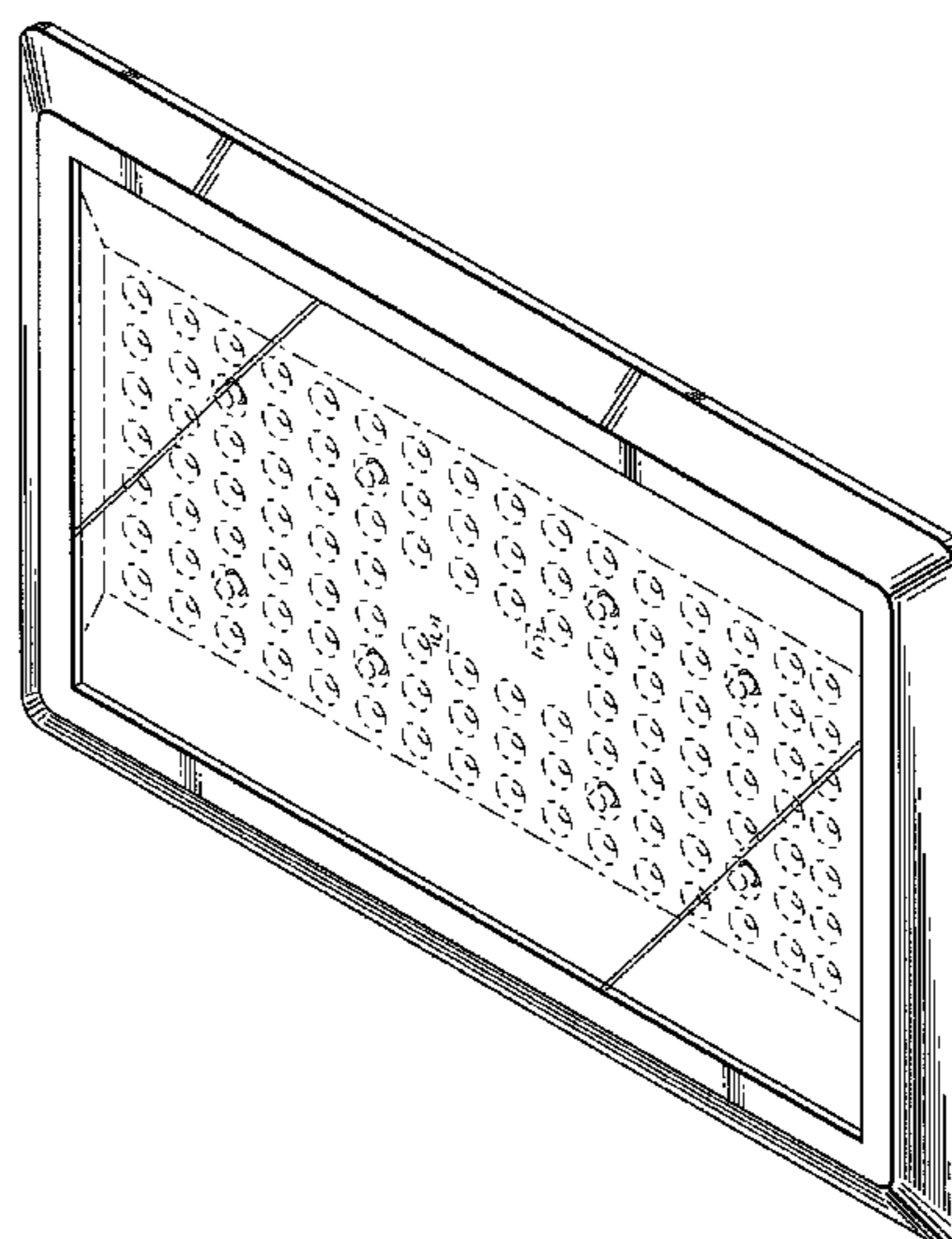
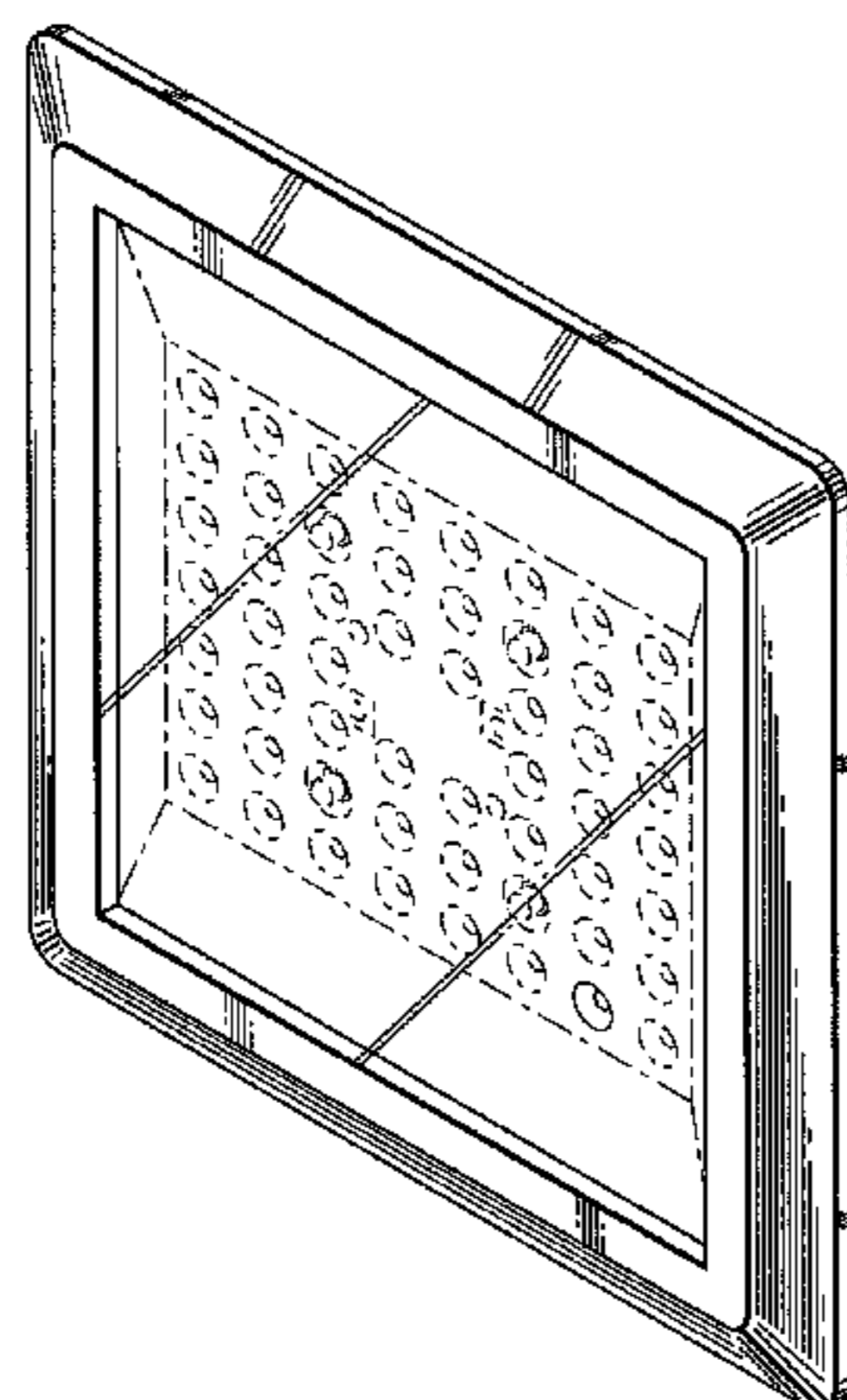
FIG. 8 is a bottom view of the embodiment depicted in FIG.
6;

FIG. 9 is a right side view of the embodiment depicted in FIG.
6; the left side view being the same; and,

FIG. 10 is a front view of the embodiment depicted in FIG. 6;
the back view being the same.

Those portions of the present invention which are presented
in phantom lines illustrate the environment of the design only
and form no part of the claimed design. Moreover, the shading
presented in the accompanying drawings is provided merely
to highlight the contour of the invention and is not intended to
be illustrative of texture or gloss.

1 Claim, 8 Drawing Sheets



US D574,994 S

Page 2

U.S. PATENT DOCUMENTS

D329,239 S * 9/1992 Hahn D14/219
D344,363 S 2/1994 Engle
D360,270 S 7/1995 Shemitz
D365,409 S 12/1995 Lu
5,826,973 A * 10/1998 Melzian et al. 362/297
D411,325 S 6/1999 Roorda
D411,326 S 6/1999 Roorda
6,062,704 A * 5/2000 Holder 362/223
D427,343 S * 6/2000 Reinbach D26/28
6,626,562 B2 * 9/2003 Blanchard 362/346
D496,487 S * 9/2004 Rhee D26/89
D514,248 S 1/2006 Rhee
D528,226 S * 9/2006 Nagai et al. D26/1
D530,808 S * 10/2006 Sinur et al. D23/385
D523,143 S 11/2006 Woertler
D532,544 S 11/2006 Woertler
D535,774 S * 1/2007 Weston et al. D26/72

D549,869 S 8/2007 Ward
D551,379 S * 9/2007 Maxik D26/74
D558,388 S 12/2007 Ward
D565,207 S * 3/2008 Uemoto et al. D26/24
D565,755 S * 4/2008 Uemoto et al. D26/24
2006/0087843 A1 * 4/2006 Setomoto et al. 362/249

OTHER PUBLICATIONS

BLD-CAN-T5-DM, The Edge Canopy Light, Feb. 8, 2008; pp. 1-2.
BLD-SEC-T2-WM, The Edge Wall Pack, Feb. 29, 2008; pp. 1-2.
Encore From LSI Petroleum Lighting, 2004; pp. 1-10.
Encore Top Access—Flat Lens, LSI Petroleum Lighting, 2007; pp. 1-2.
Encore Top Access—Flat Lens Focus, LSI Petroleum Lighting, 2007; pp. 1-2.
Vandal Proof Recessed 1×1, LSI Industries, Inc., 2007; pp. 1-2.
Sovereign, LSI Petroleum Lighting, 2007; pp. 1-2.

* cited by examiner

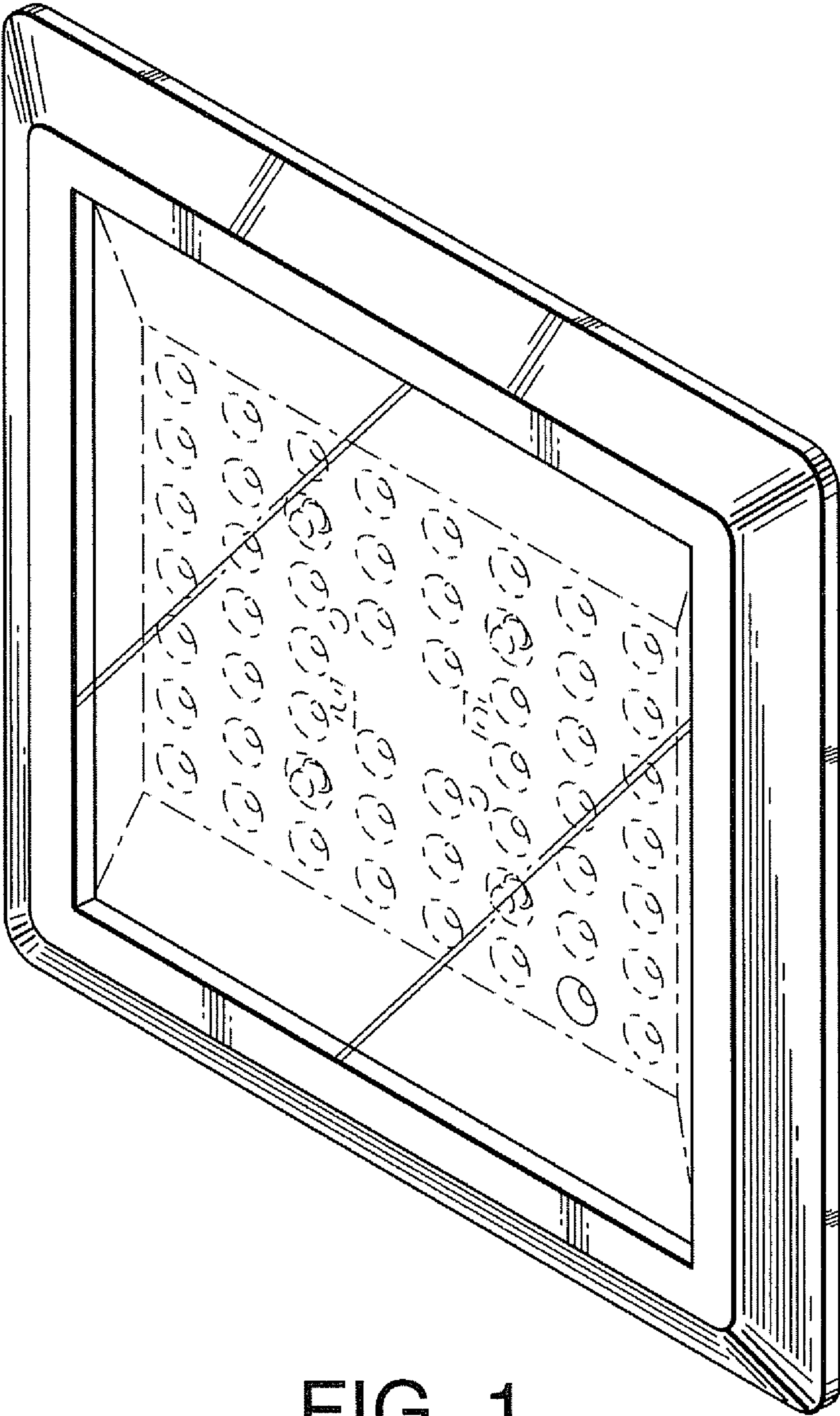


FIG. 1

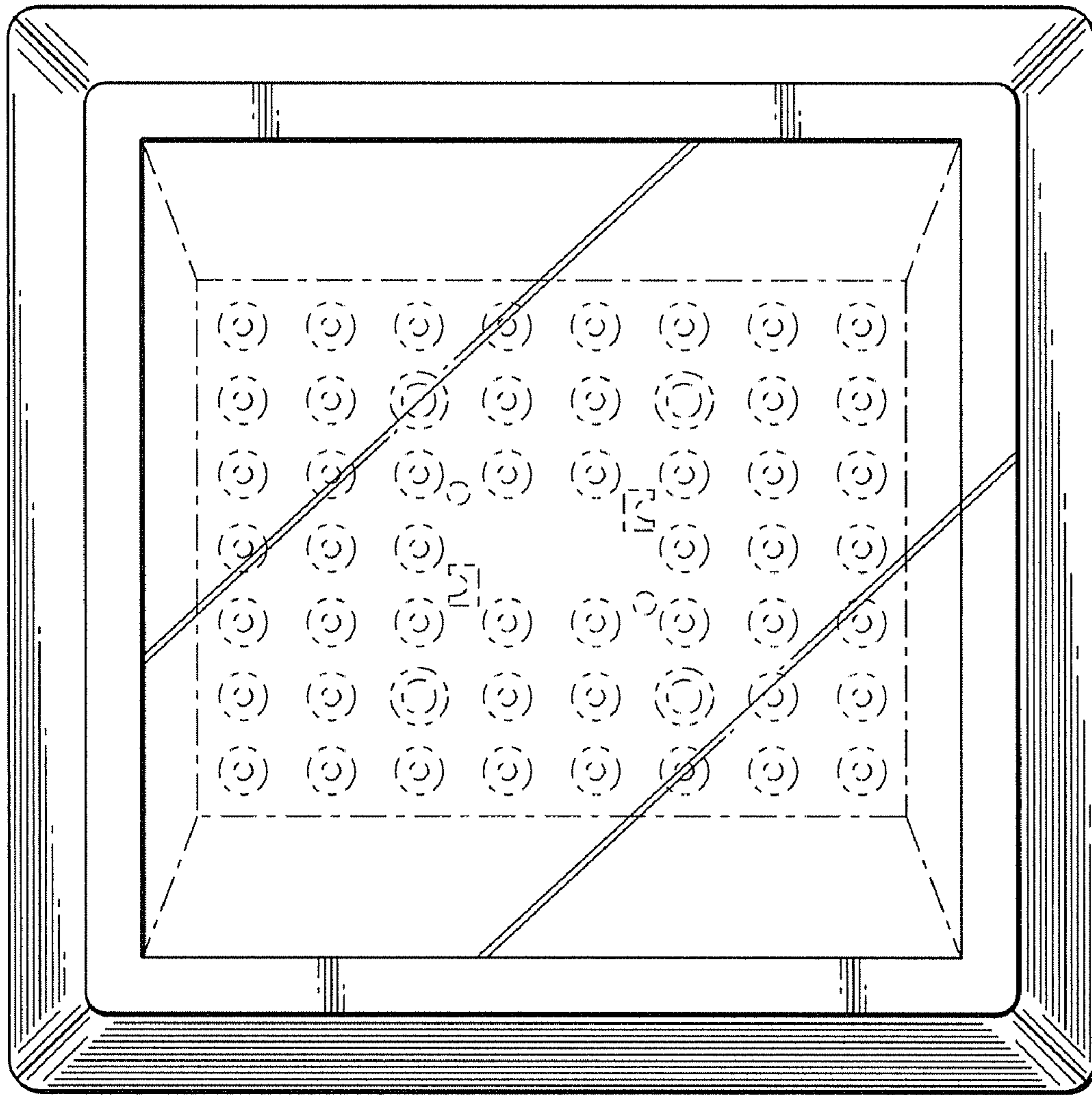


FIG. 2

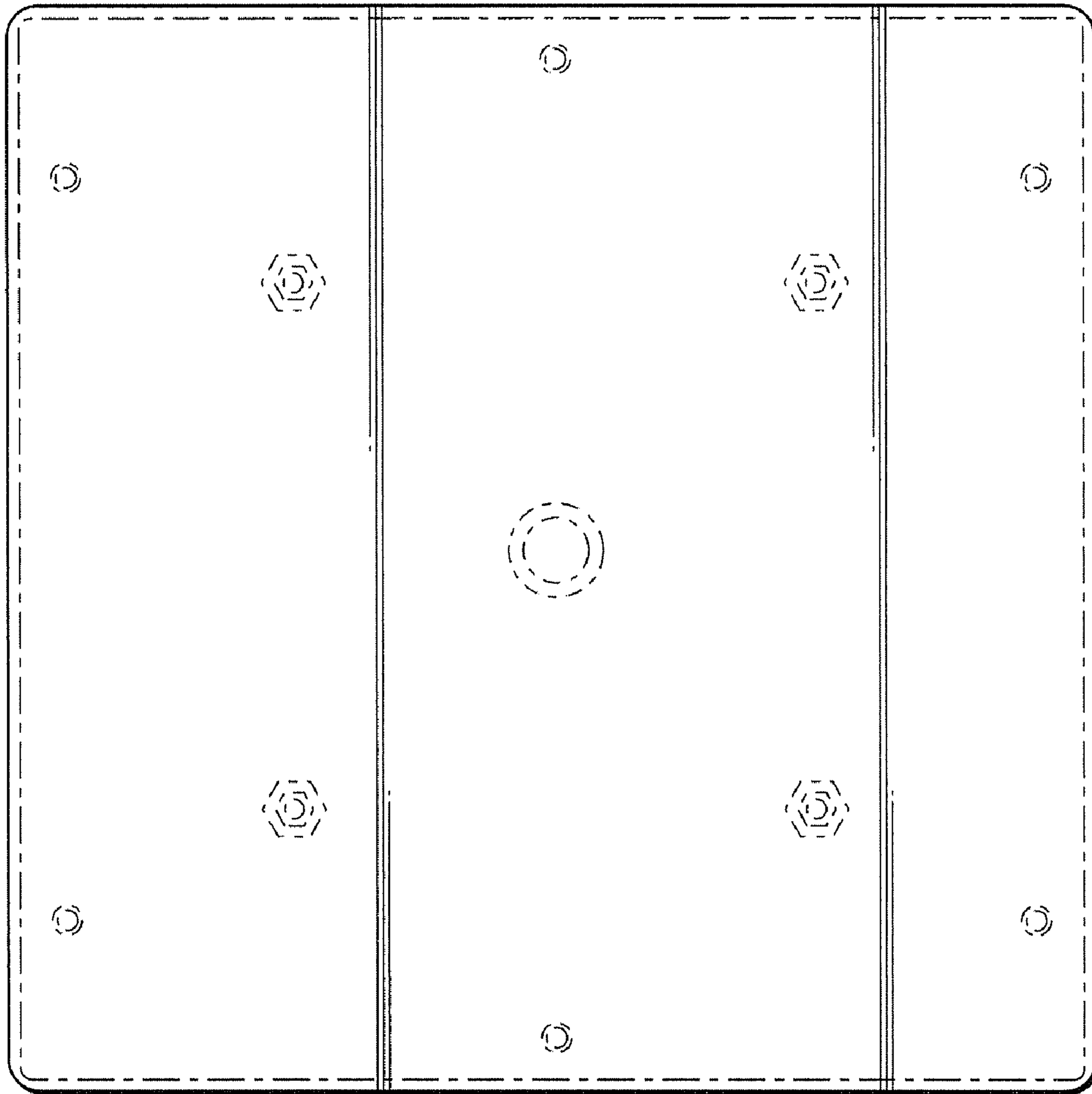


FIG. 3

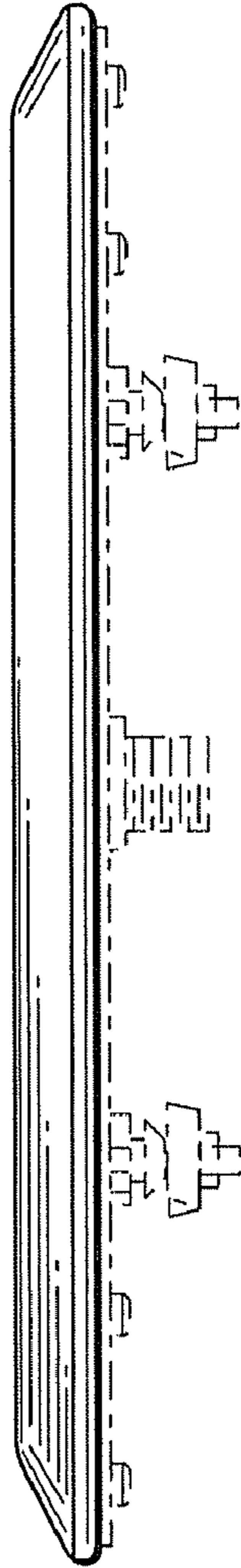


FIG. 4

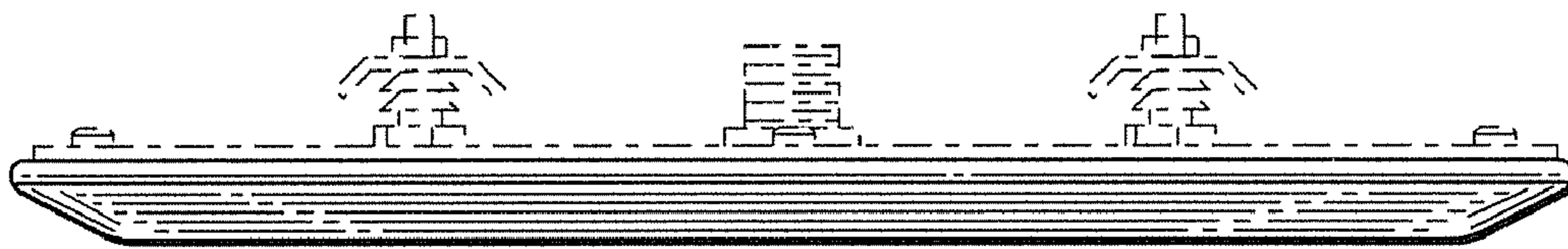


FIG. 5

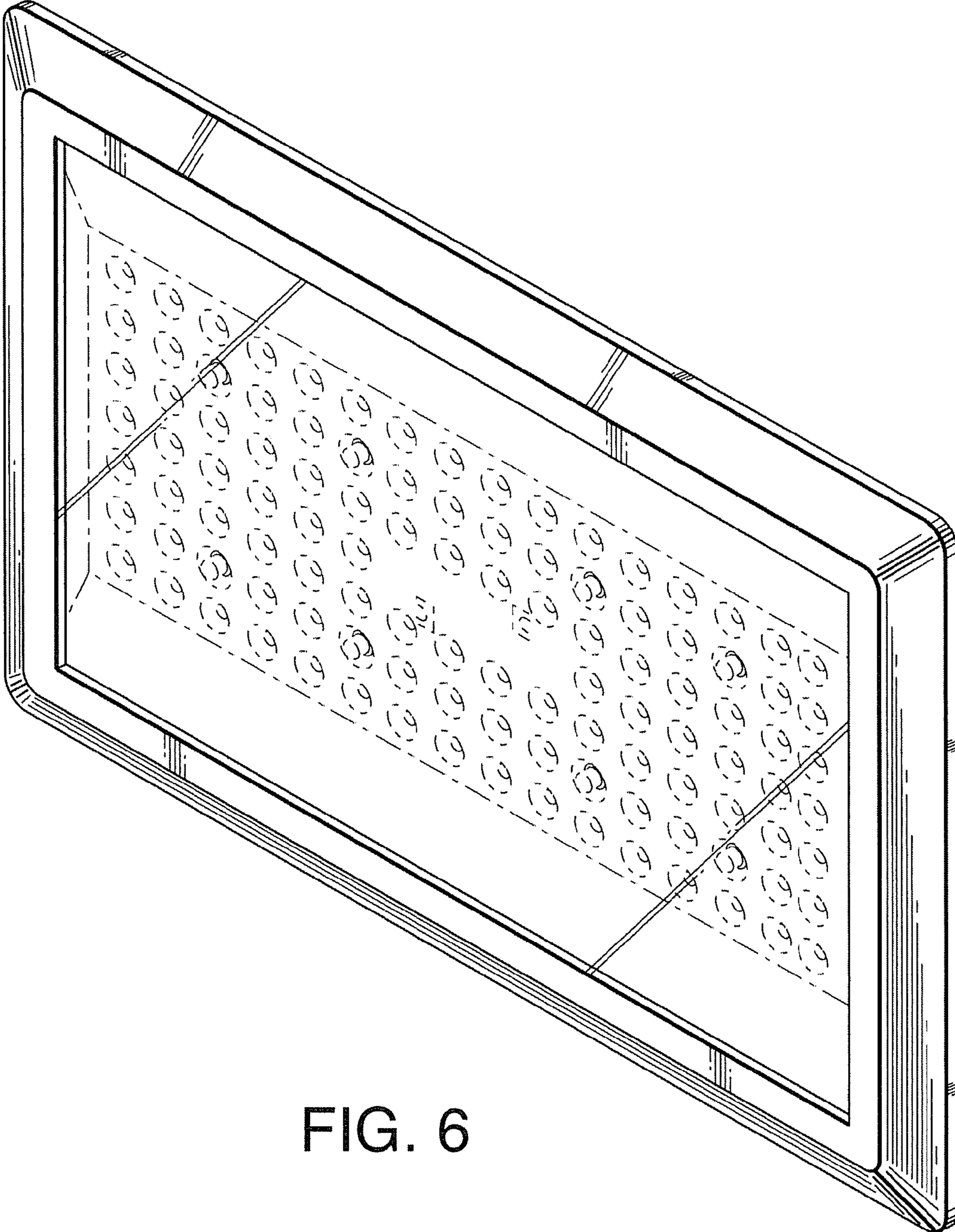


FIG. 6

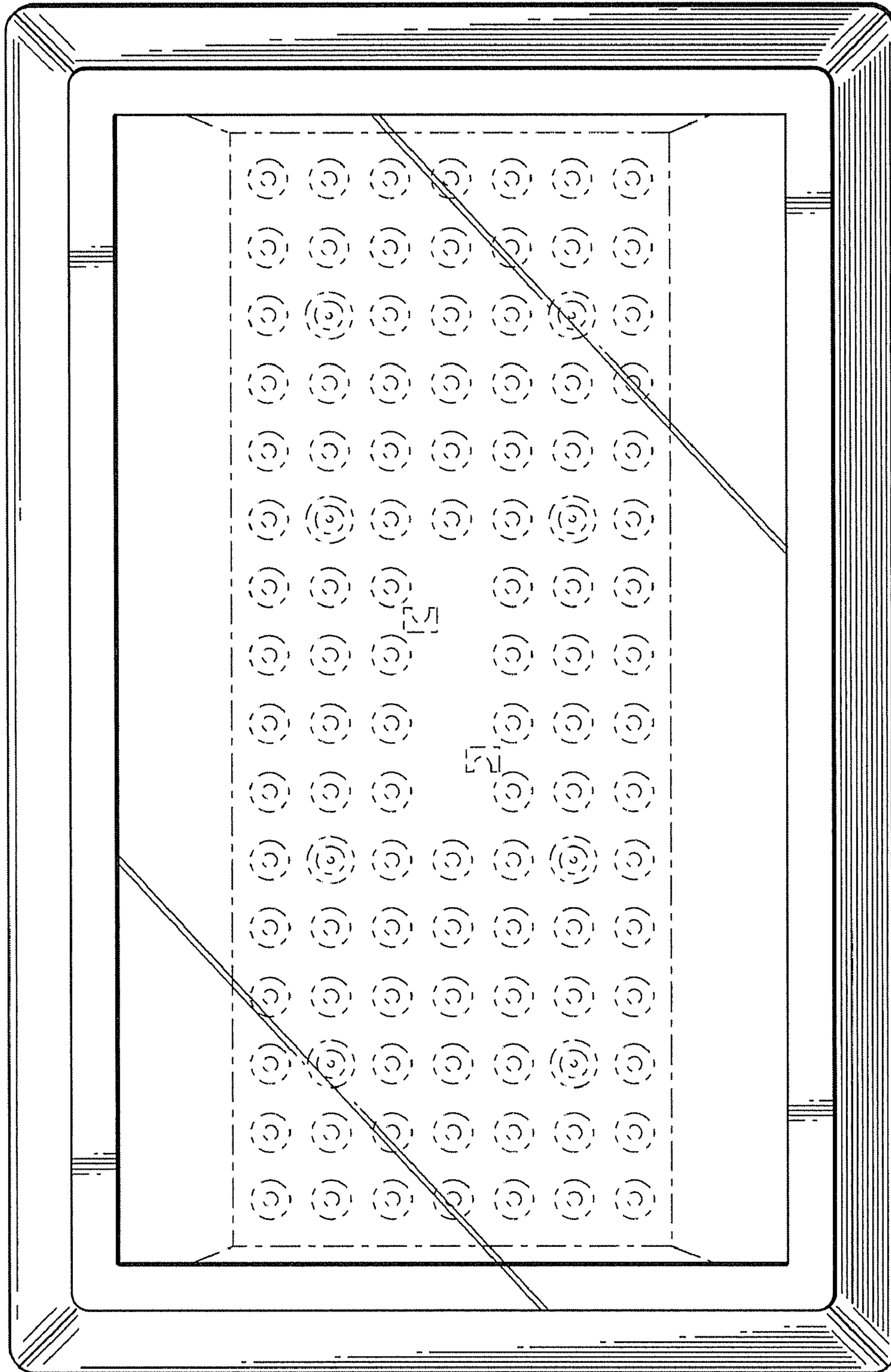


FIG. 7

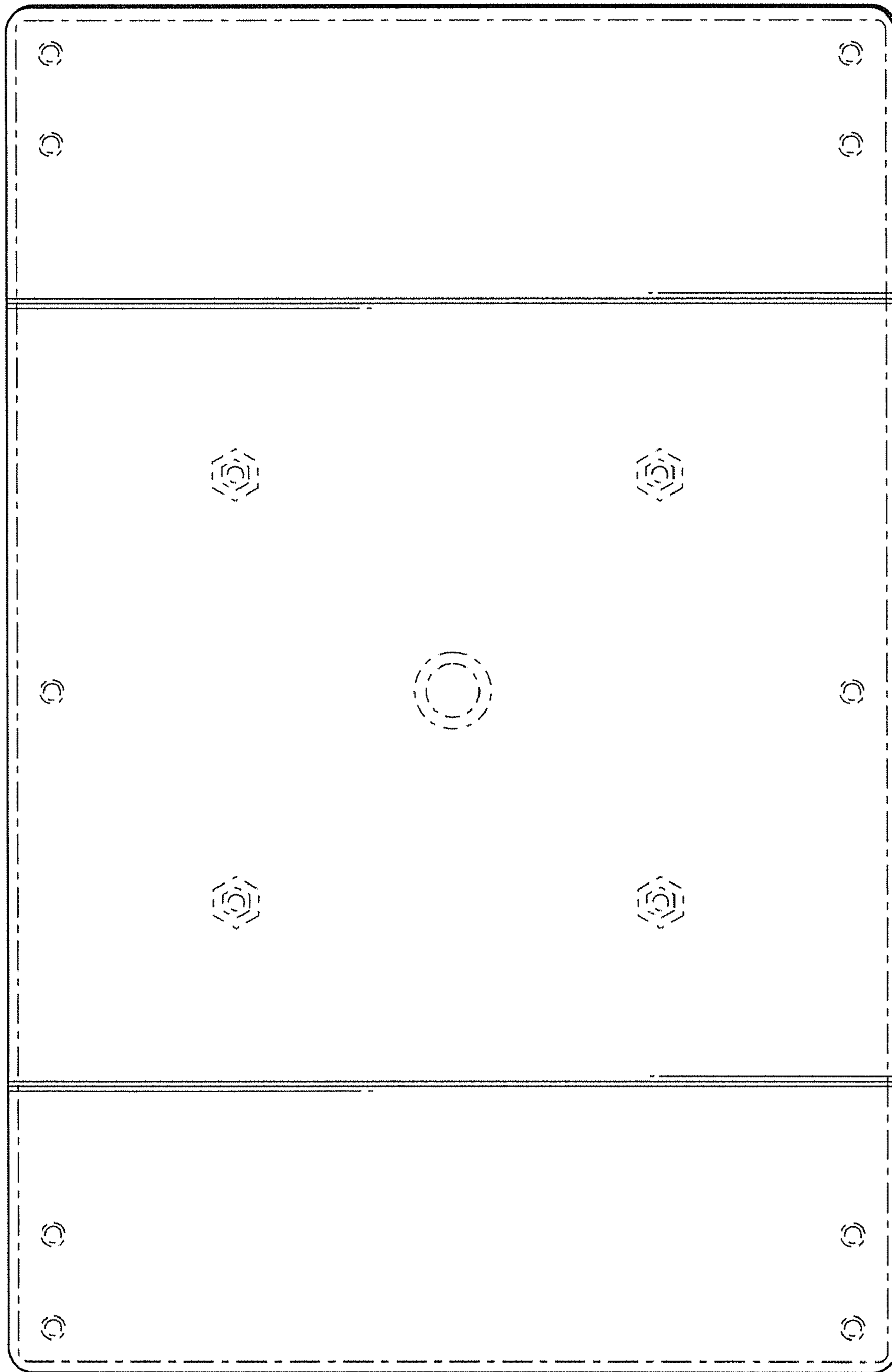


FIG. 8

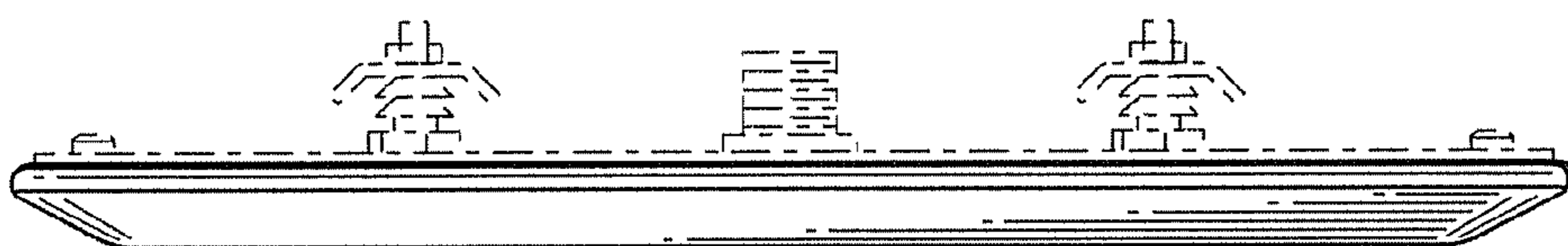


FIG. 9

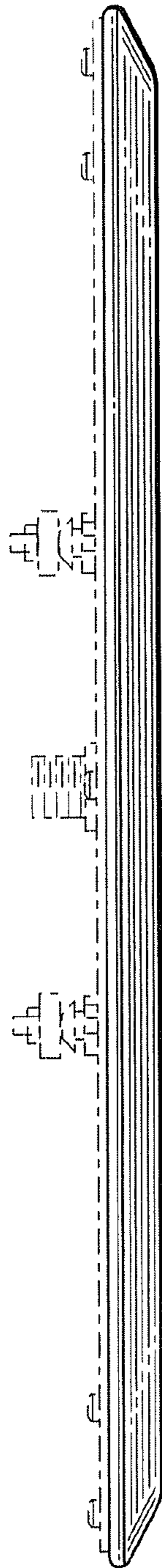


FIG. 10