



US00D574993S

(12) **United States Design Patent**
Silver

(10) **Patent No.:** **US D574,993 S**
(45) **Date of Patent:** **** Aug. 12, 2008**

(54) **LIGHT FIXTURE**

(75) Inventor: **Remy Silver**, Toronto (CA)

(73) Assignee: **Beta Calco Inc.**, Ontario (CA)

(**) Term: **14 Years**

(21) Appl. No.: **29/284,575**

(22) Filed: **Sep. 11, 2007**

(30) **Foreign Application Priority Data**

Mar. 14, 2007 (CA) 119893

(51) **LOC (8) Cl.** **26-03**

(52) **U.S. Cl.** **D26/88; D26/128**

(58) **Field of Classification Search** D26/72,
D26/84, 85, 86, 88-91, 118, 128, 130, 131,
D26/135, 137; 362/147, 404, 407

See application file for complete search history.

(56) **References Cited**

U.S. PATENT DOCUMENTS

- 5,134,554 A * 7/1992 Donato et al. 362/407
- D433,526 S * 11/2000 Minissi et al. D26/88
- D518,914 S * 4/2006 Brunner D26/88
- 7,249,871 B2 * 7/2007 Chen 362/407
- D563,021 S * 2/2008 Hetfield et al. D26/72

D563,025 S * 2/2008 Hetfield et al. D26/72

OTHER PUBLICATIONS

Hanging Pendants shown in photo on p. 195 of the IKEA 2005 catalog.*

Glass shade #SC-276 on p. 224 of the Aug. 1997 issue of Taiwan Lighting.*

“Cone” fixtures #503R and #501P by Electroline. p. 85 of the May 2001 issue of Taiwan Lighting.*

* cited by examiner

Primary Examiner—Clare E Heflin

(74) *Attorney, Agent, or Firm*—Renner, Otto, Boisselle & Sklar, LLP

(57) **CLAIM**

The ornamental design for a light fixture, as shown and described.

DESCRIPTION

FIG. 1 is a side view of the light fixture showing my new design.

FIG. 2 is a perspective view of the light fixture shown in FIG. 1; and,

FIG. 3 is bottom view of the light fixture shown in FIG. 1.

The broken lines shown on the drawings are for illustrative purposes only and form no part of the claimed design.

1 Claim, 1 Drawing Sheet

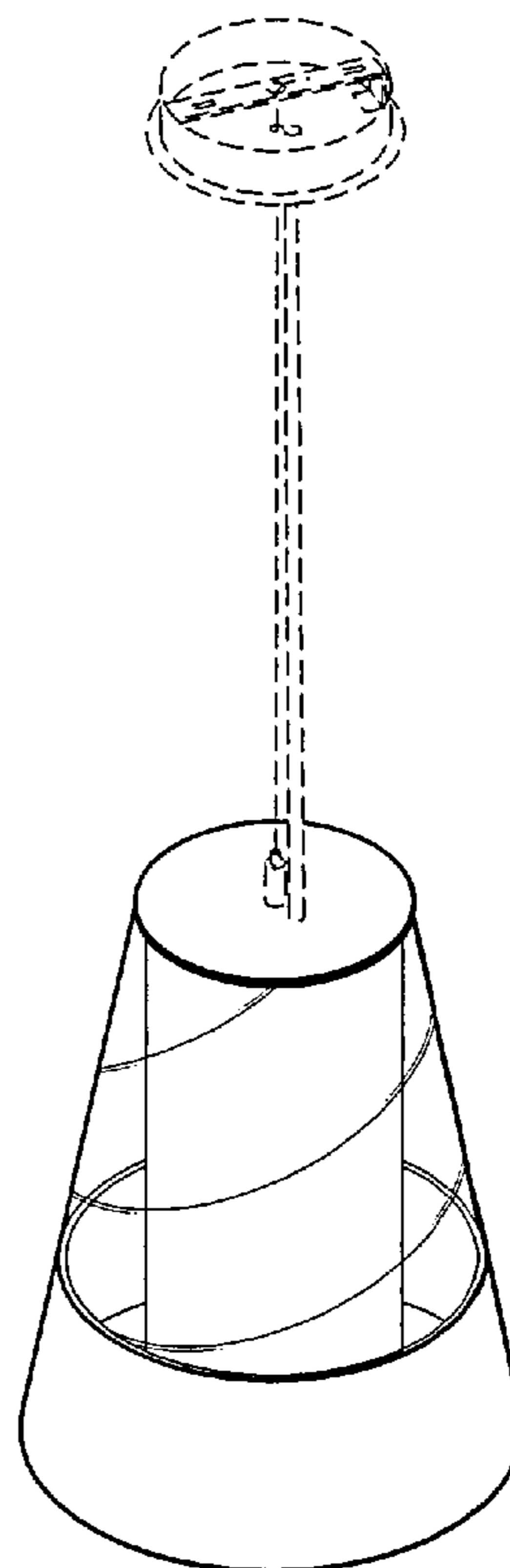
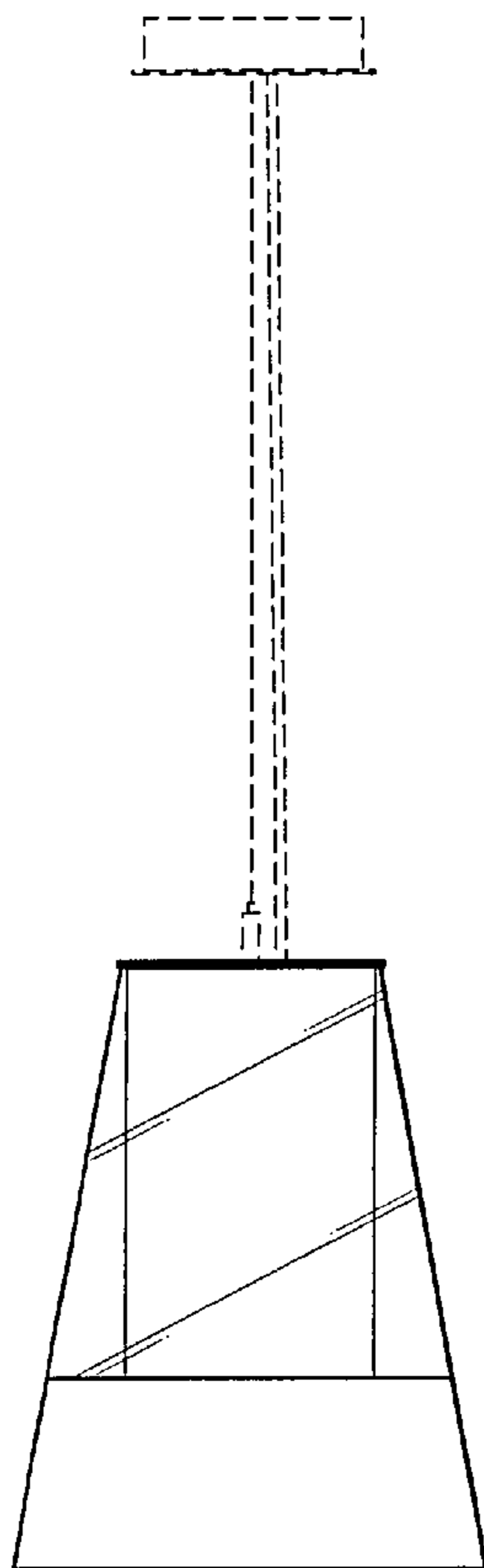


FIG. 1

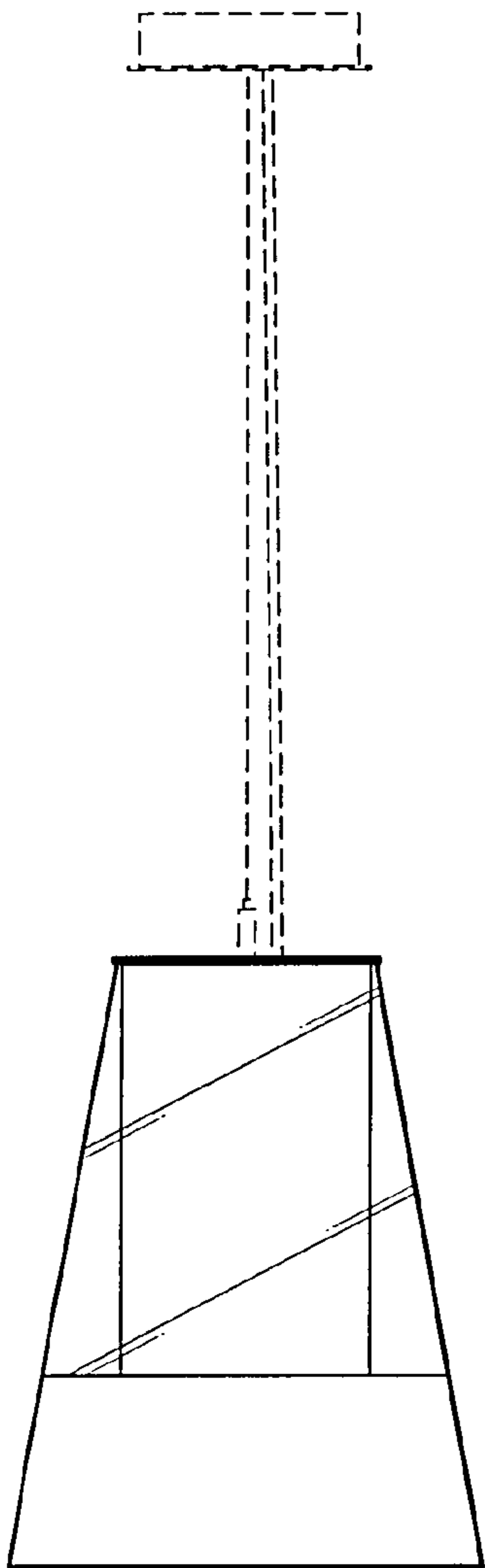


FIG. 2

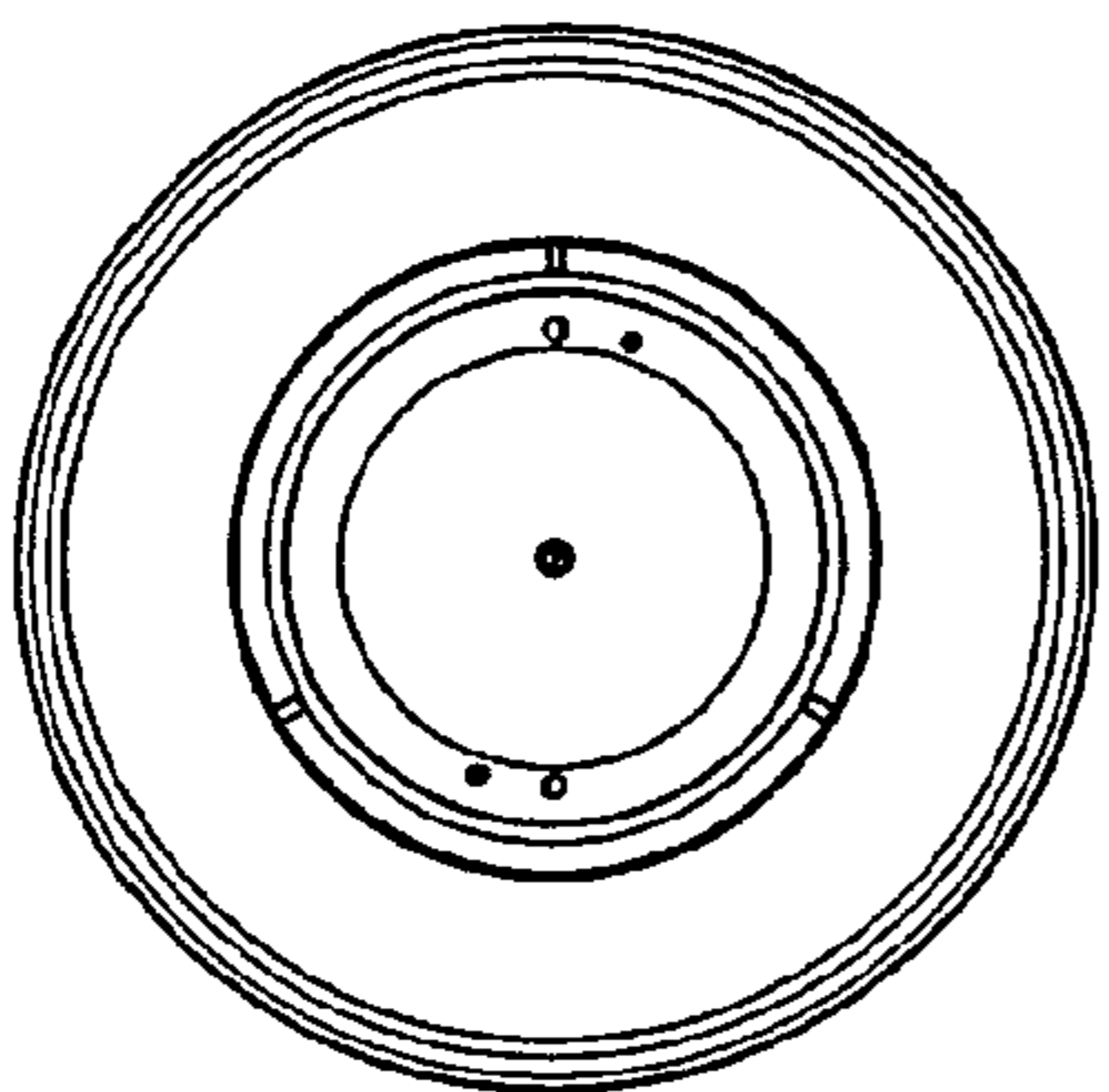
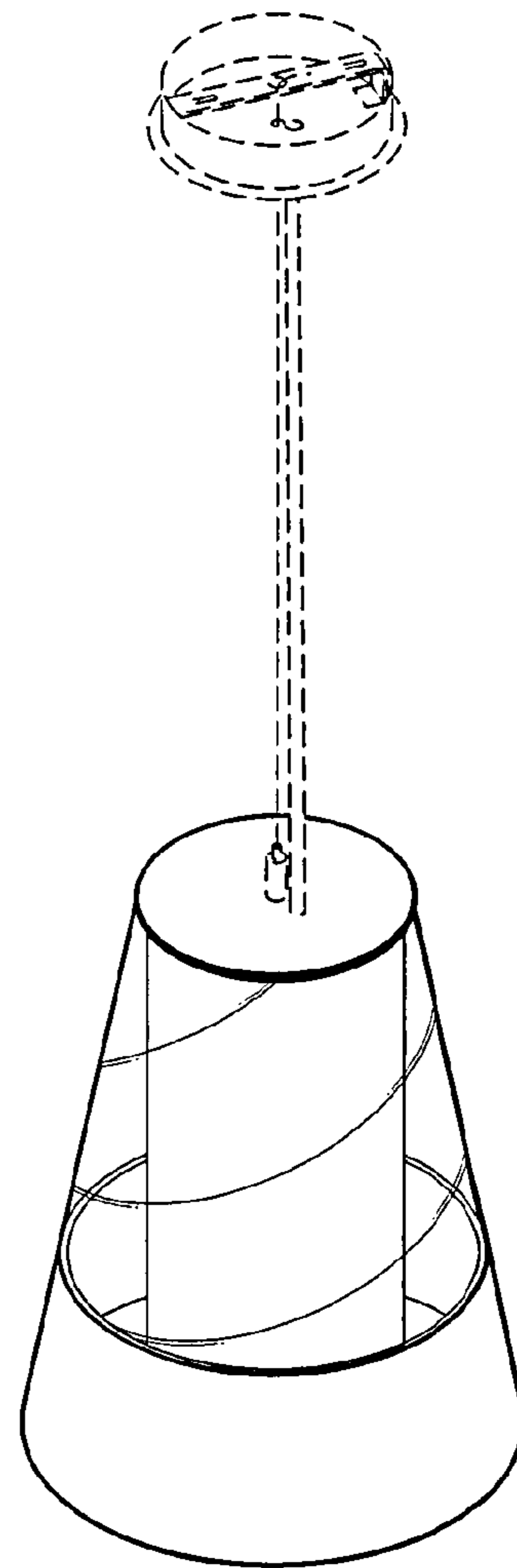


FIG. 3