



US00D574992S

(12) **United States Design Patent**
Citterio

(10) **Patent No.:** **US D574,992 S**
(45) **Date of Patent:** **** Aug. 12, 2008**

(54) **WALL LAMP**

(75) Inventor: **Antonio Citterio**, Milan (IT)

(73) Assignee: **FLOS S.p.A.**, Bovezzo, (Brescia) (IT)

(**) Term: **14 Years**

(21) Appl. No.: **29/295,609**

(22) Filed: **Oct. 2, 2007**

(30) **Foreign Application Priority Data**

Apr. 16, 1920 (EM) 000707757-0001

(51) **LOC (8) Cl.** **26-03**

(52) **U.S. Cl.** **D26/87**

(58) **Field of Classification Search** D26/72,
D26/85-87, 92, 118; 362/147, 432, 806,
362/351, 355, 356, 363, 370

See application file for complete search history.

(56) **References Cited**

U.S. PATENT DOCUMENTS

D385,638 S * 10/1997 Bonnette et al. D26/62

D441,488 S * 5/2001 Benghozi D26/87

D559,426 S * 1/2008 Hoernig et al. D26/87

D561,927 S * 2/2008 Hoernig et al. D26/87

OTHER PUBLICATIONS

Wall Sconce #02534-89 on p. 109 of the World Imports catalog 26 © 2004.*

Wall Sconce #6795 TZ from the Kichler Lighting catalog © 2004.*

* cited by examiner

Primary Examiner—Clare E Heflin

(74) *Attorney, Agent, or Firm*—McGlew & Tuttle, P.C.

(57) **CLAIM**

The ornamental design for the wall lamp, as shown and described.

DESCRIPTION

FIG. 1 is a perspective view of my new wall lamp design;

FIG. 2 is a front elevation view thereof,

FIG. 3 is a rear elevation view thereof;

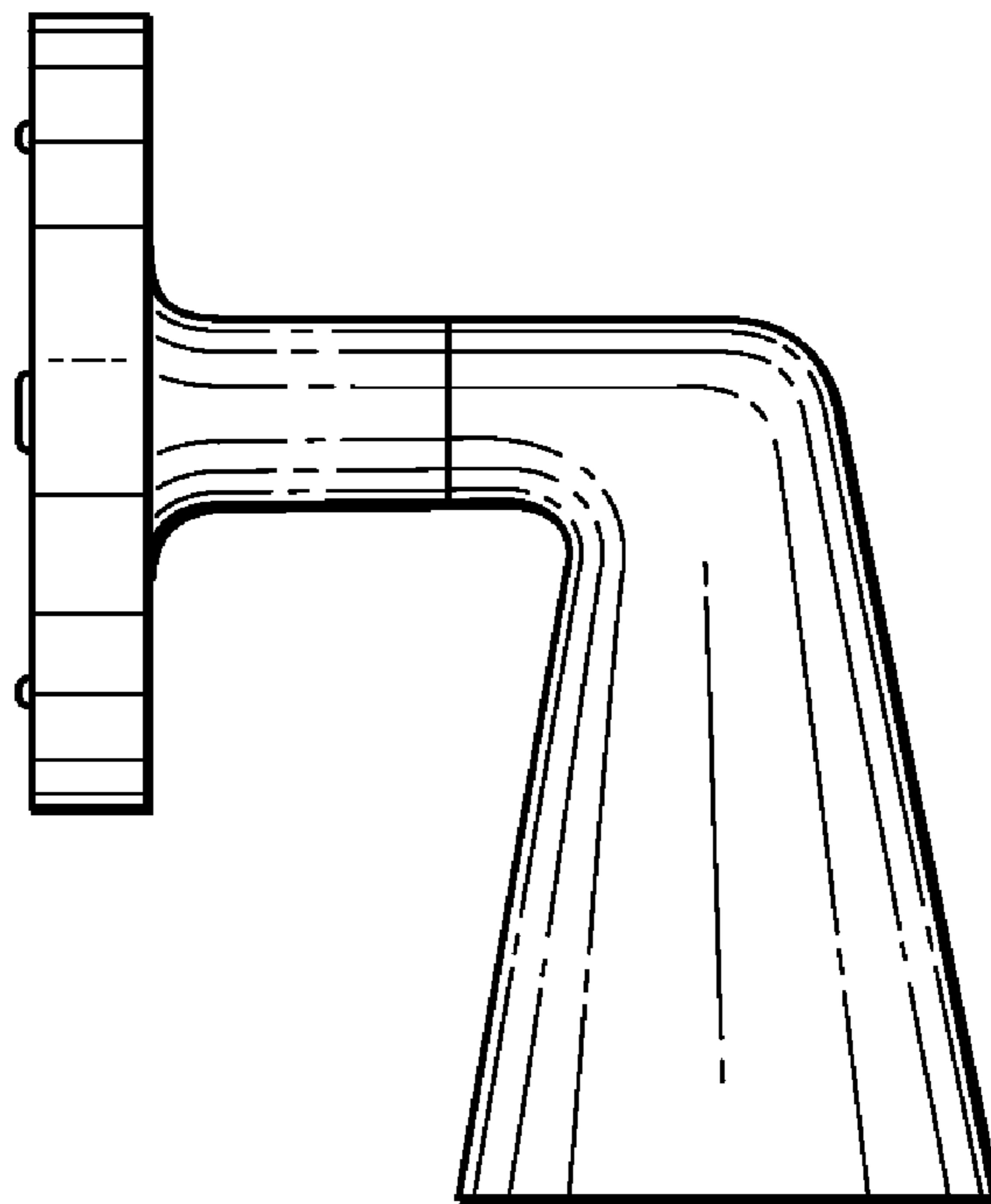
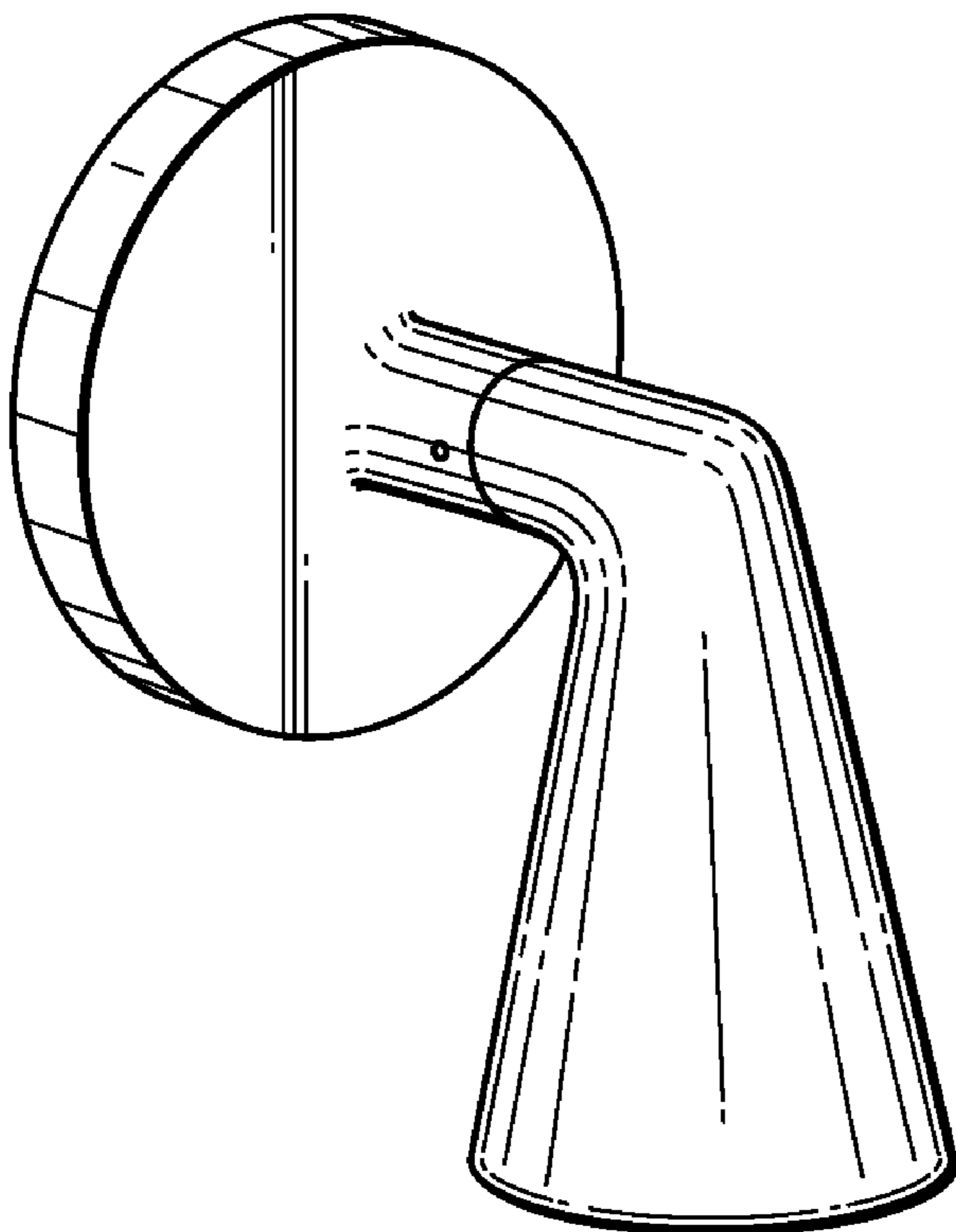
FIG. 4 is a top view thereof;

FIG. 5 is a bottom view thereof;

FIG. 6 is a right side view thereof; and,

FIG. 7 is a left side view thereof.

1 Claim, 3 Drawing Sheets



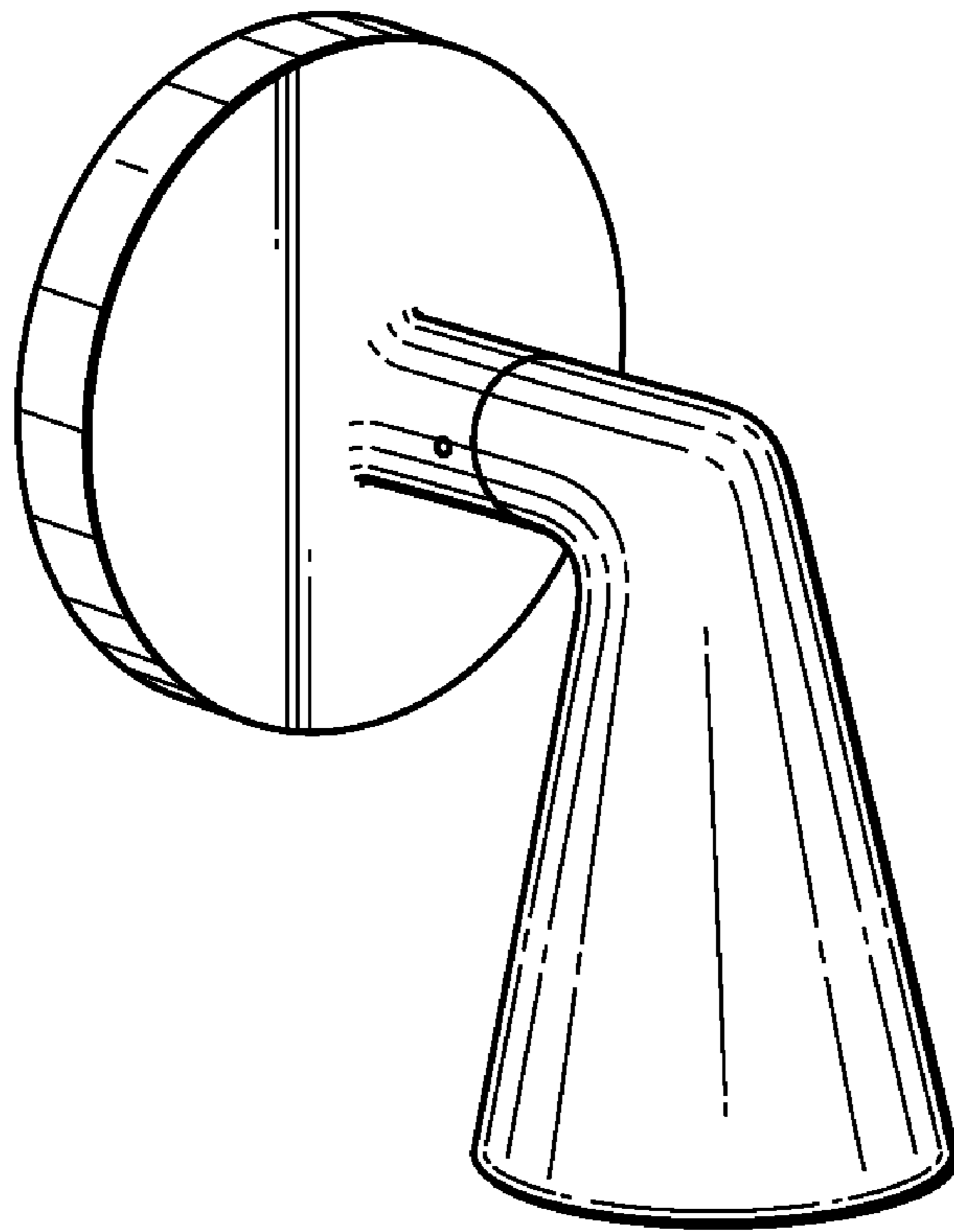


FIG. 1

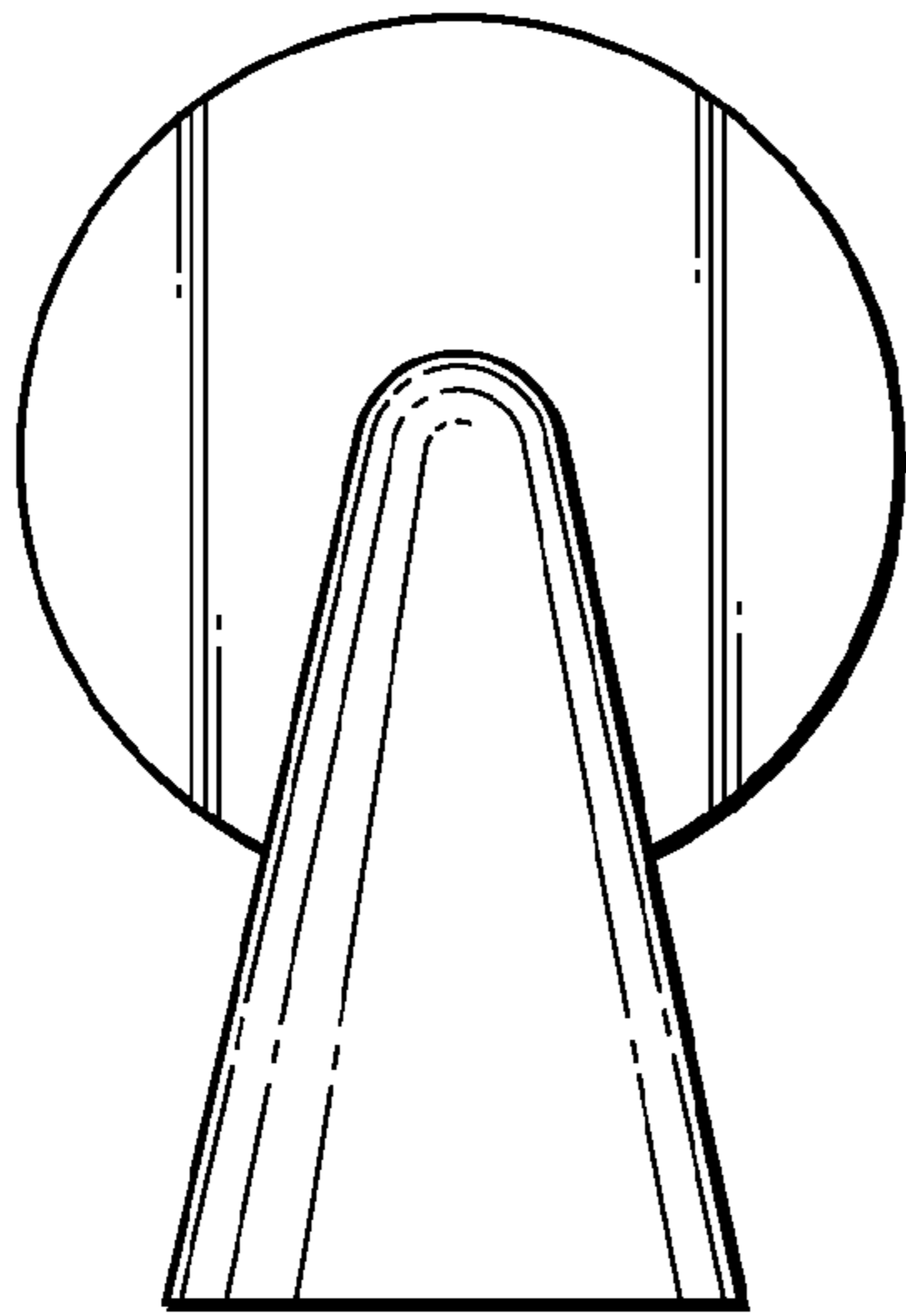


FIG. 2

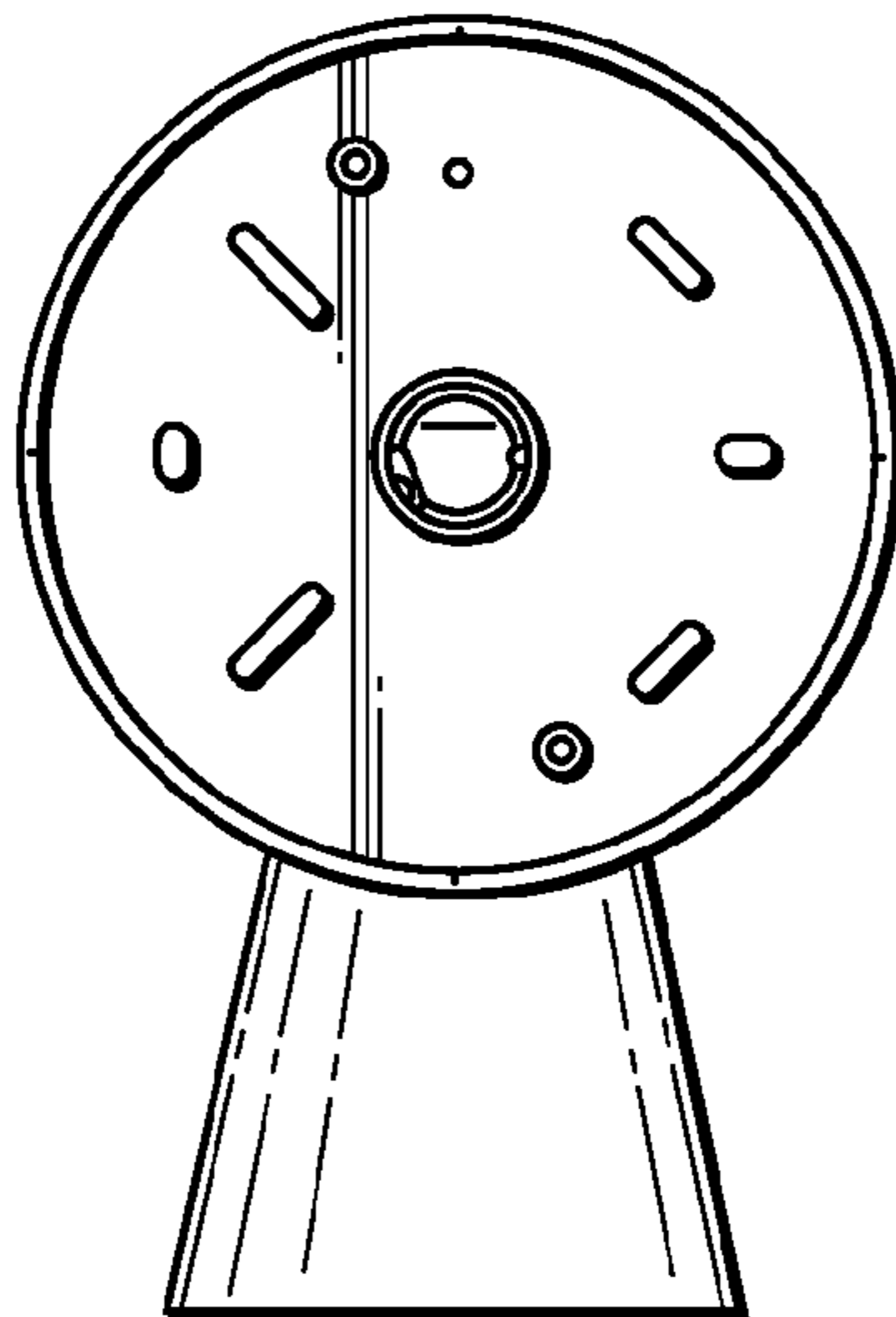


FIG. 3

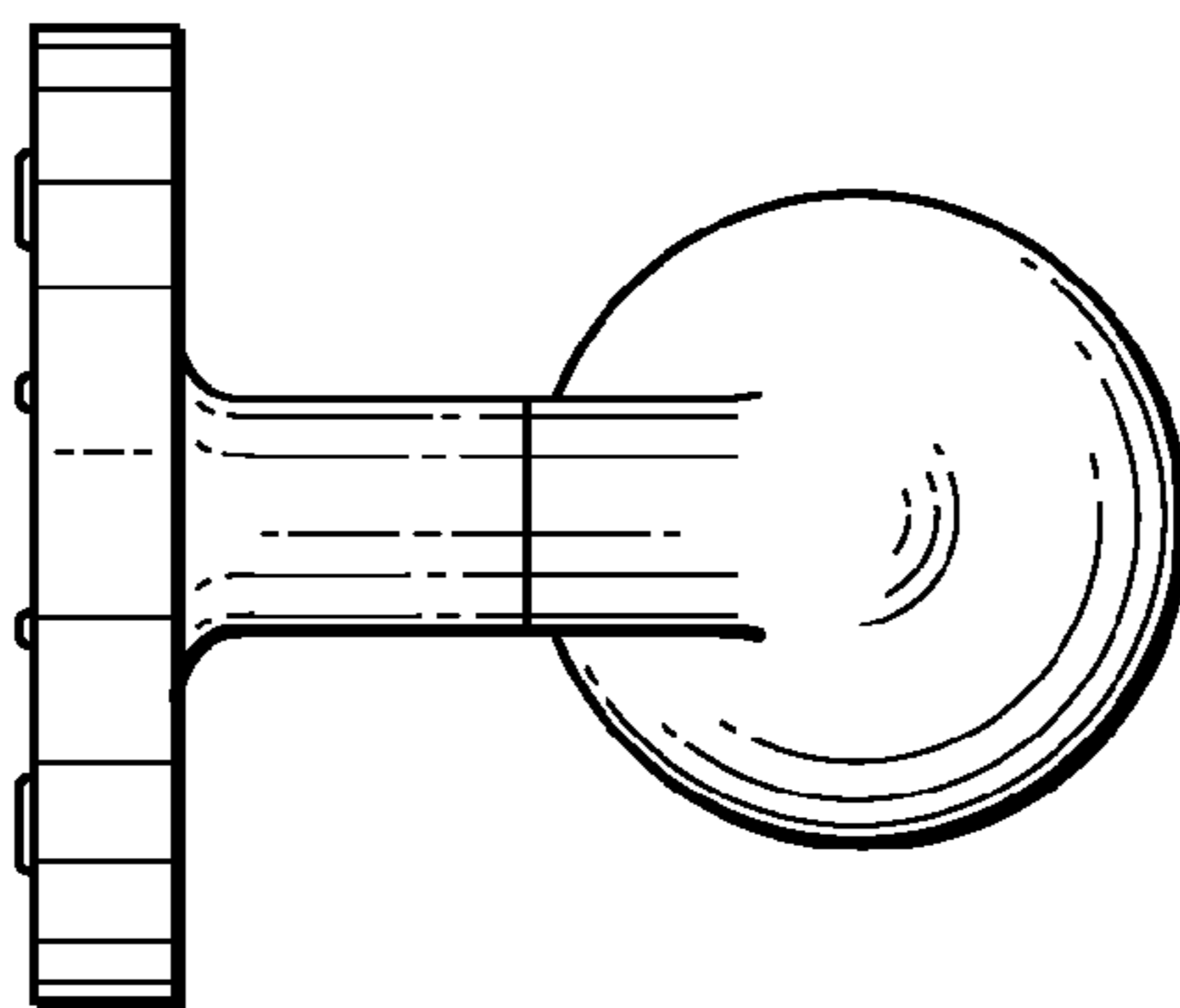


FIG. 4

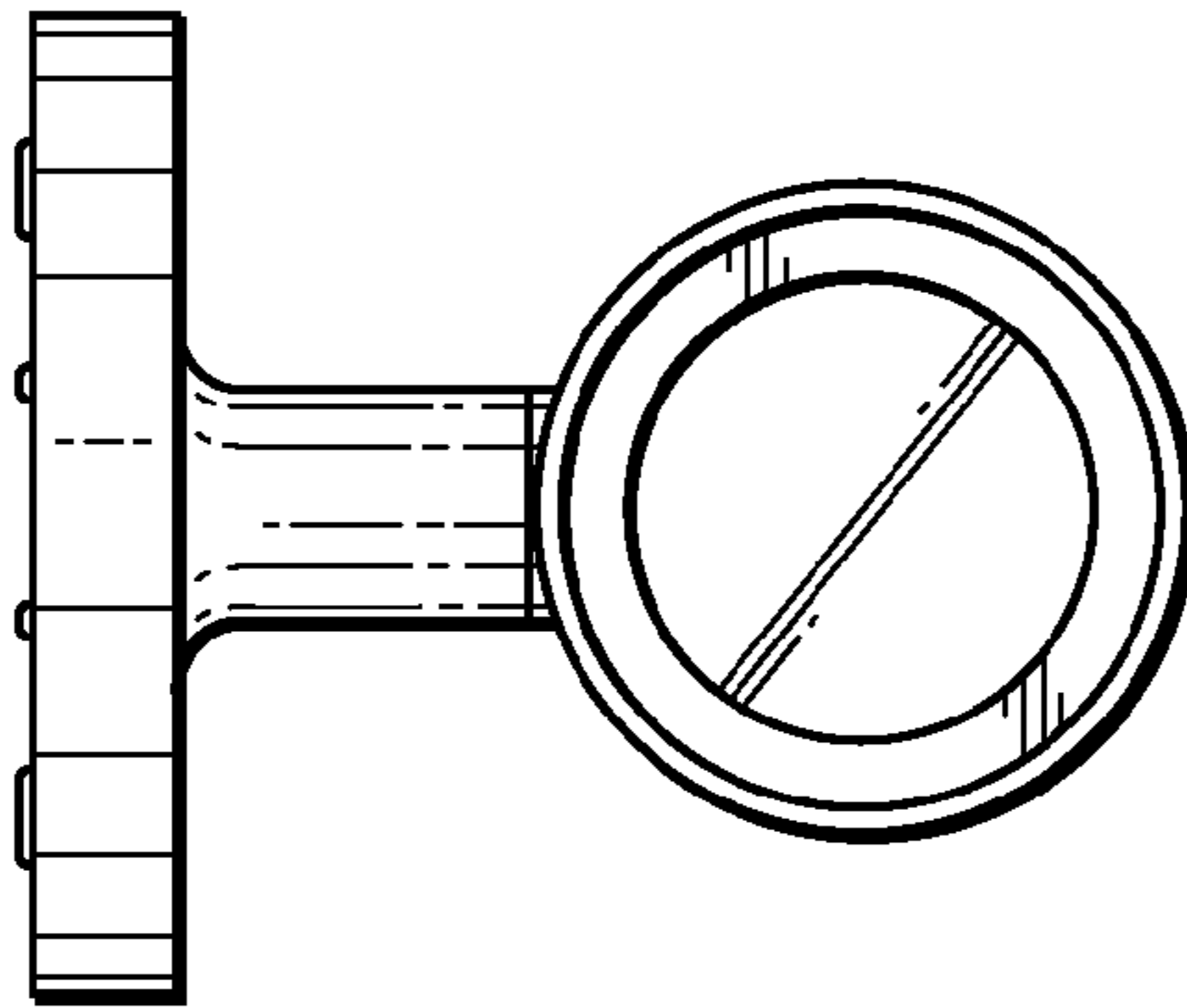


FIG. 5

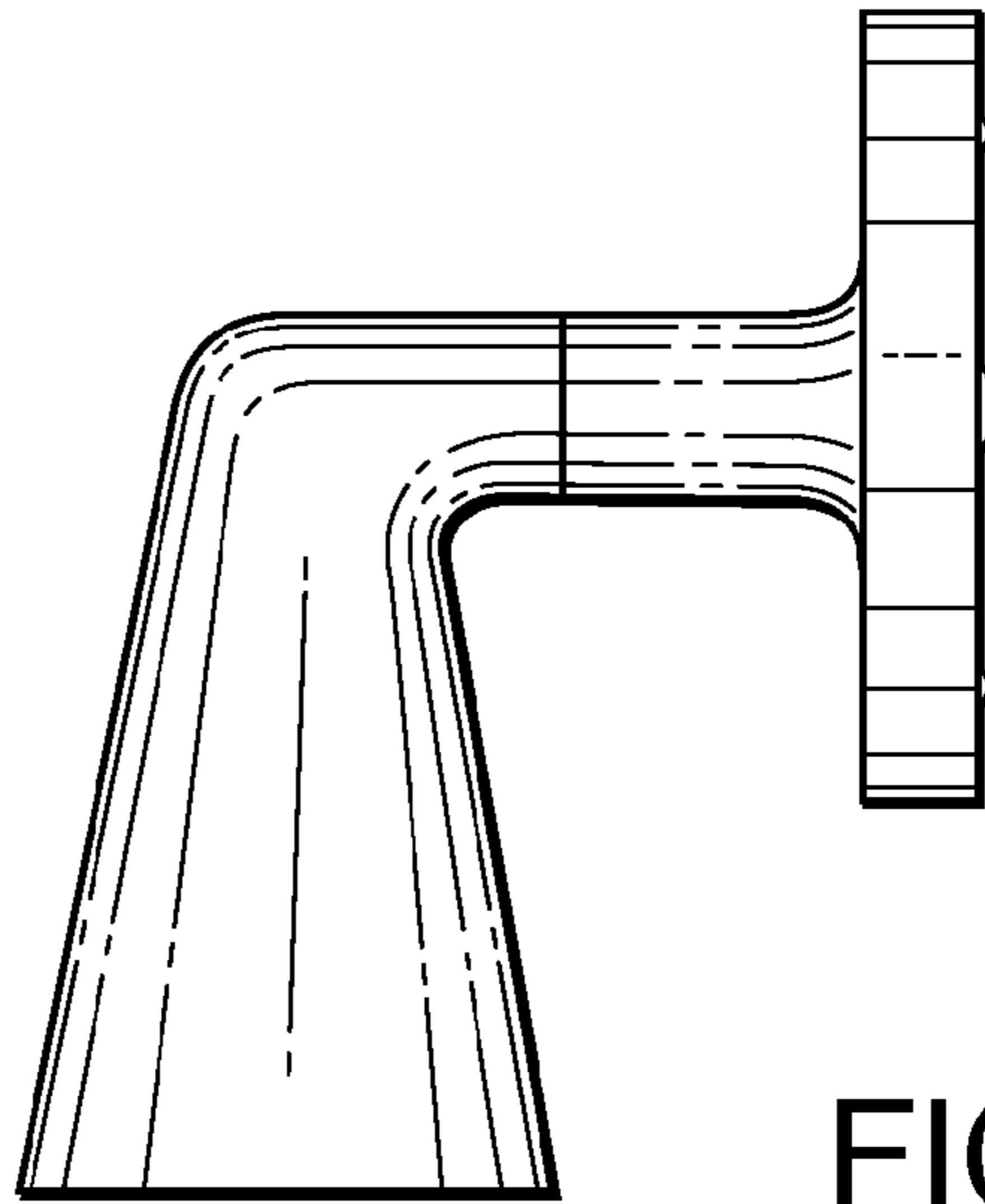


FIG. 6

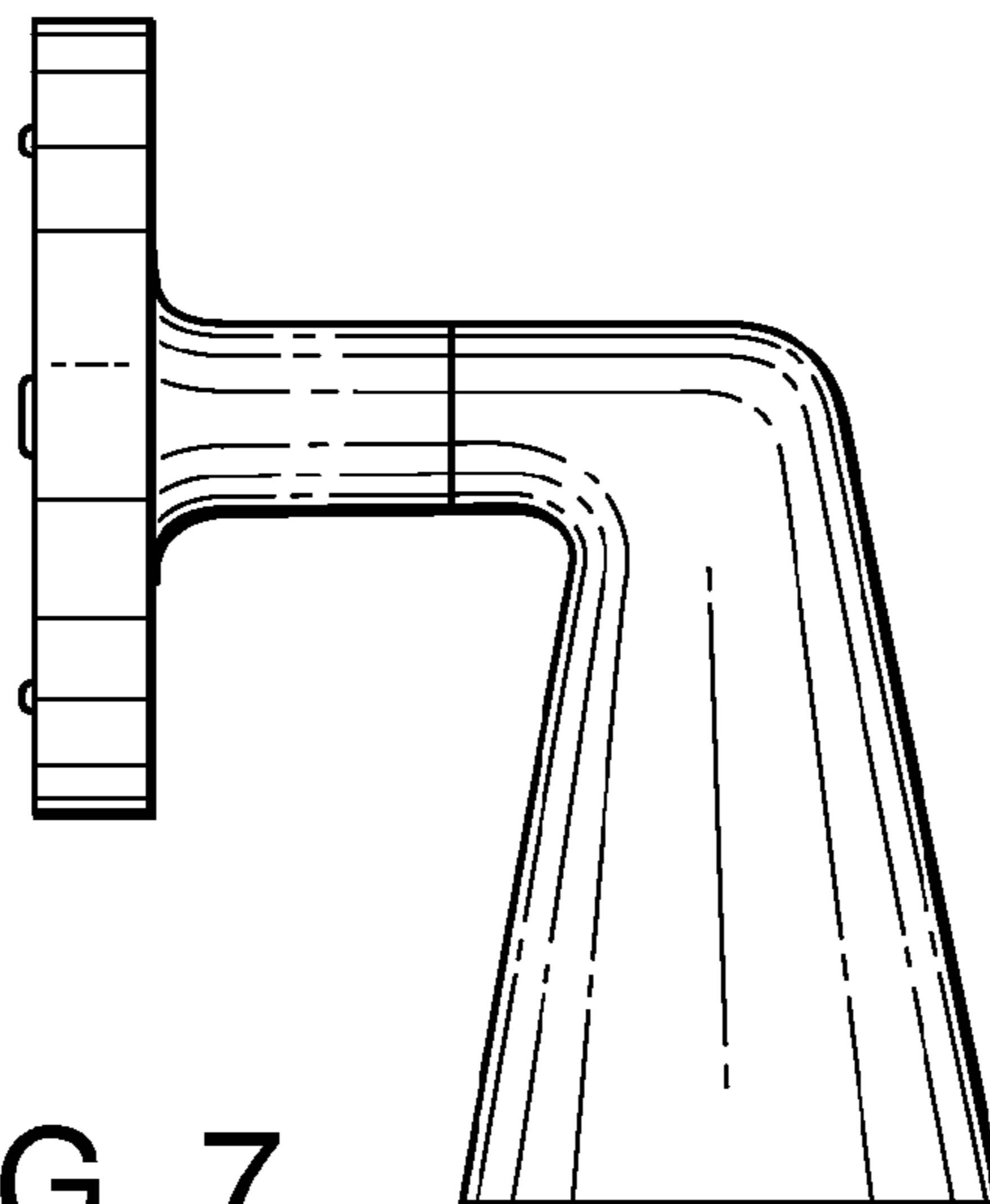


FIG. 7