



US00D574991S

(12) **United States Design Patent**
Citterio

(10) **Patent No.:** **US D574,991 S**

(45) **Date of Patent:** **** Aug. 12, 2008**

(54) **OUTDOOR FLOOR LAMP**

4,827,389 A * 5/1989 Crum 362/388

(75) Inventor: **Antonio Citterio**, Milan (IT)

* cited by examiner

(73) Assignee: **Flos SpA**, Bovezzo-BS (IT)

Primary Examiner—Clare E Heflin

(74) *Attorney, Agent, or Firm*—McGlew & Tuttle, P.C.

(**) Term: **14 Years**

(21) Appl. No.: **29/295,319**

(22) Filed: **Sep. 26, 2007**

(57) **CLAIM**

The ornamental design for an outdoor floor lamp, as shown and described.

(30) **Foreign Application Priority Data**

DESCRIPTION

Apr. 16, 2007 (EM) 000707757-0006

Apr. 16, 2007 (EM) 000707757-0007

(51) **LOC (8) Cl.** **26-05**

(52) **U.S. Cl.** **D26/68; D26/102**

(58) **Field of Classification Search** D26/67-71,
D26/102, 106, 107; 362/183, 431, 101, 102,
362/410, 414

See application file for complete search history.

FIG. 1 is a perspective view of a first embodiment of my new outdoor floor lamp design;

FIG. 2 is a front elevation view thereof;

FIG. 3 is a rear elevation view thereof;

FIG. 4 is a top view thereof;

FIG. 5 is a bottom view thereof;

FIG. 6 is a right side view thereof;

FIG. 7 is a left side view thereof;

FIG. 8 is a perspective view of a second embodiment of my new outdoor floor lamp design;

FIG. 9 is a front elevation view of the embodiment of FIG. 8;

FIG. 10 is a top elevation view of the embodiment of FIG. 8;

FIG. 11 is a bottom view of the embodiment of FIG. 8;

FIG. 12 is a left side view of the embodiment of FIG. 8;

FIG. 13 is a rear view of the embodiment of FIG. 8; and,

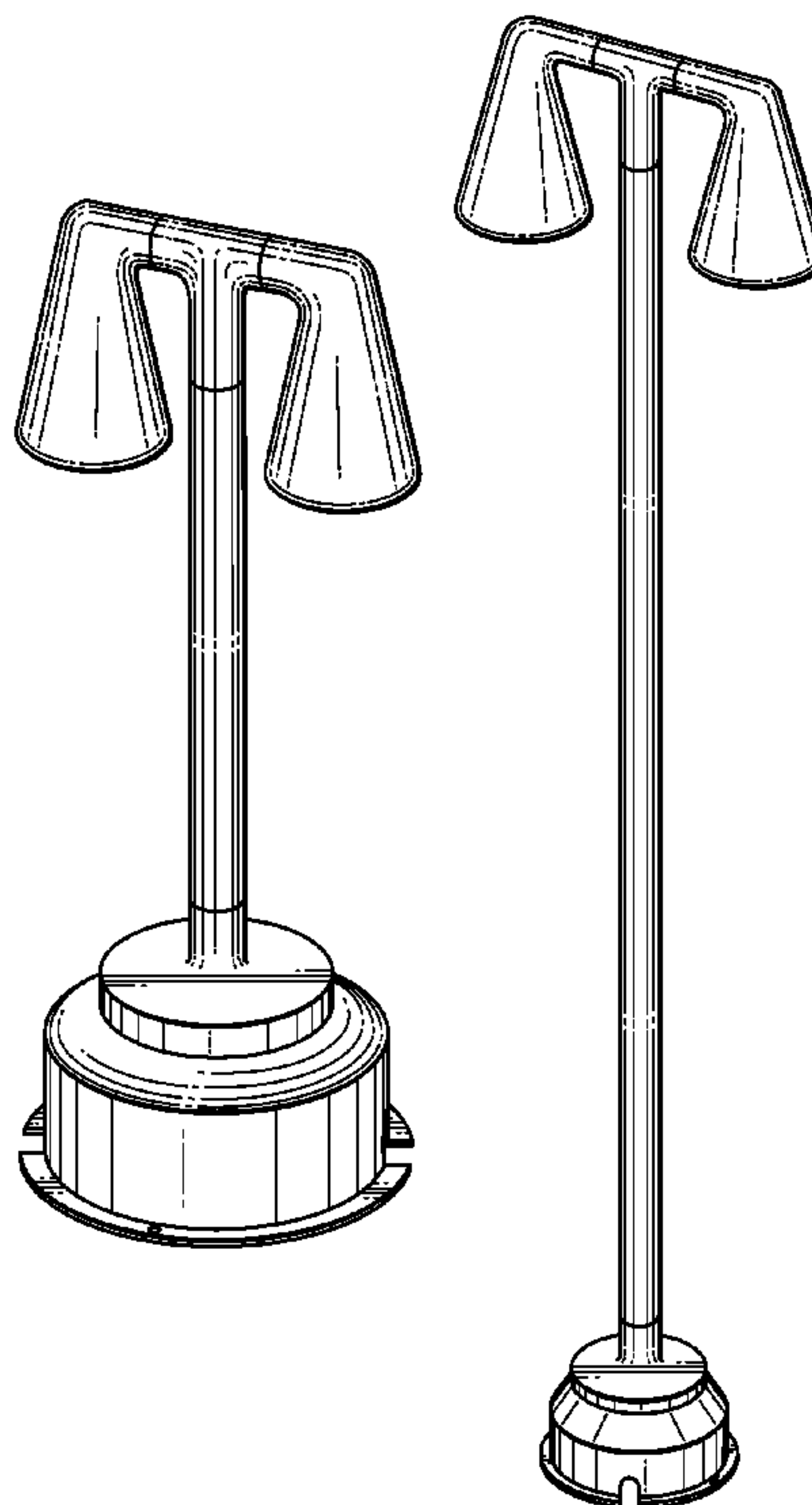
FIG. 14 is a right side view of the embodiment of FIG. 8.

(56) **References Cited**

U.S. PATENT DOCUMENTS

D53,306 S *	5/1919	Kirk	D26/102
D53,944 S *	10/1919	Stair	D26/102
1,317,819 A *	10/1919	Peck	116/63 P
D81,667 S *	7/1930	Scotti	D26/69
D196,600 S *	10/1963	Passman	D26/107
D217,063 S *	3/1970	Daito	D26/107
D221,799 S *	9/1971	Johnson	D26/107
4,053,761 A *	10/1977	Brinkley	362/413
D279,410 S *	6/1985	Fiorentino et al.	D26/69
D291,604 S *	8/1987	Watson	D26/68

1 Claim, 6 Drawing Sheets



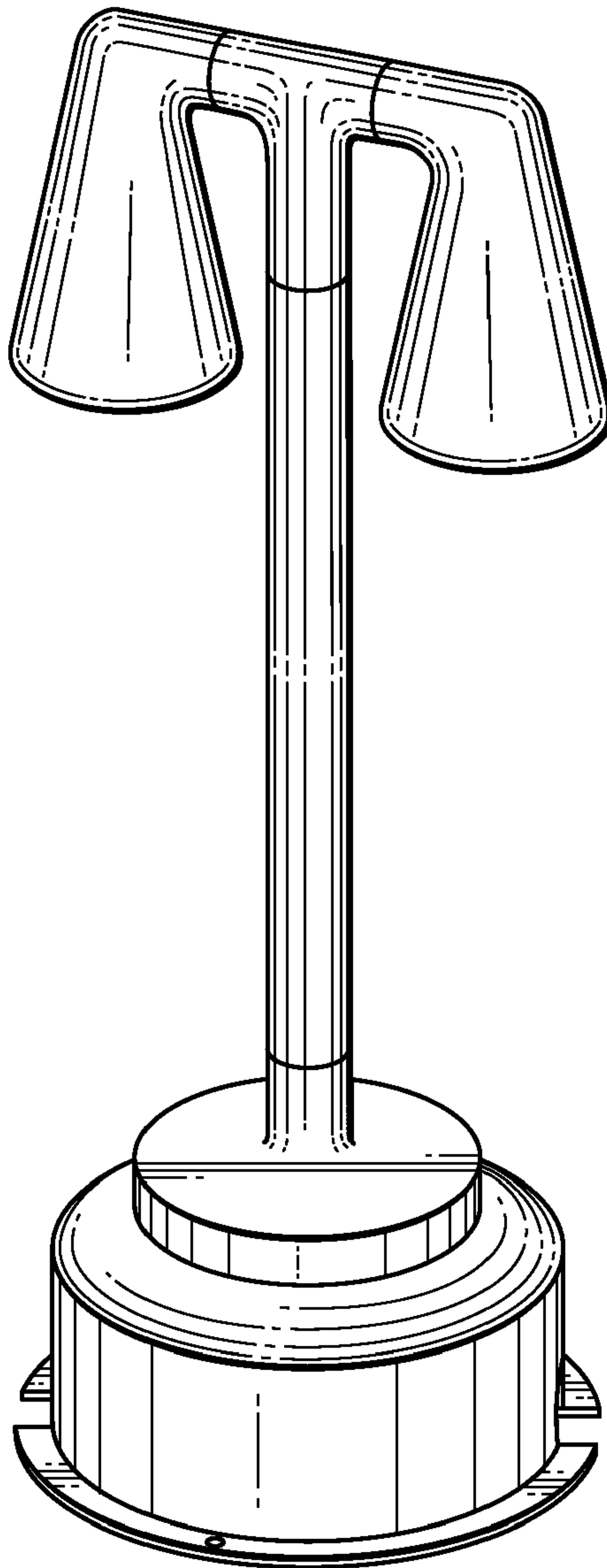


FIG. 1

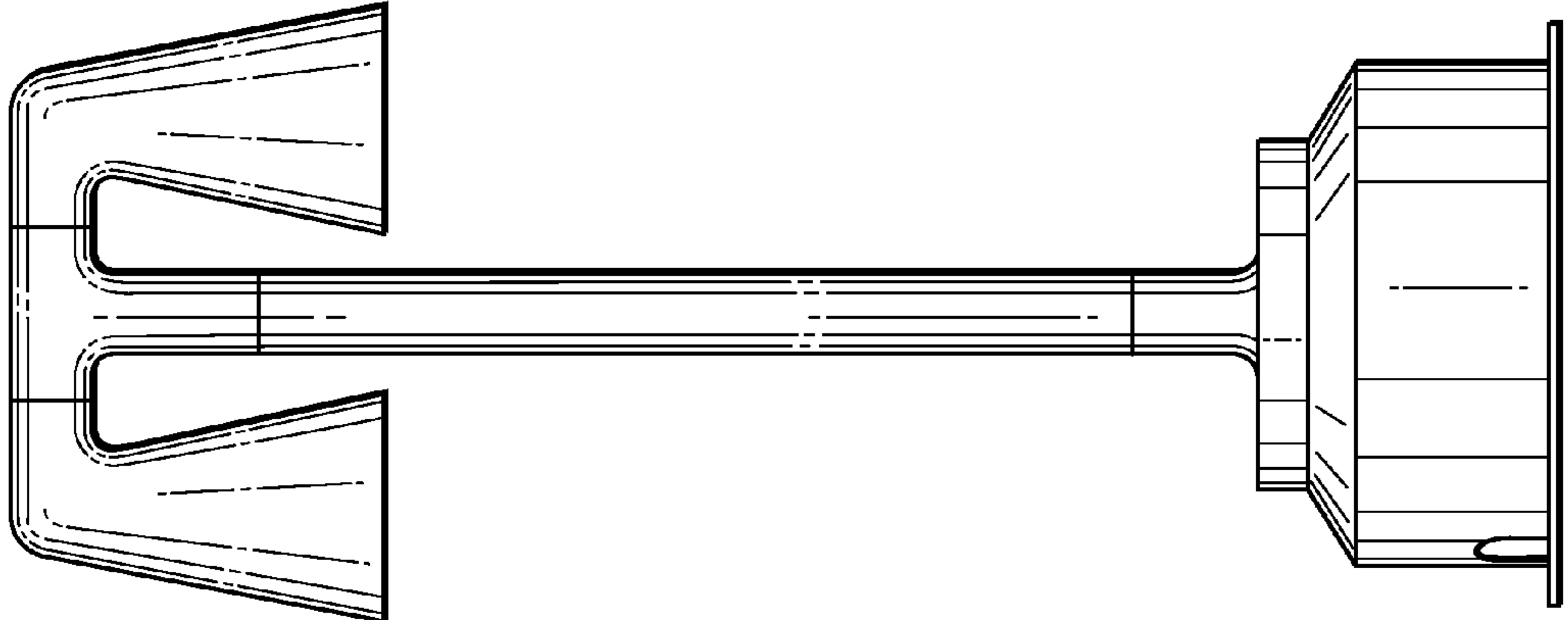


FIG. 3

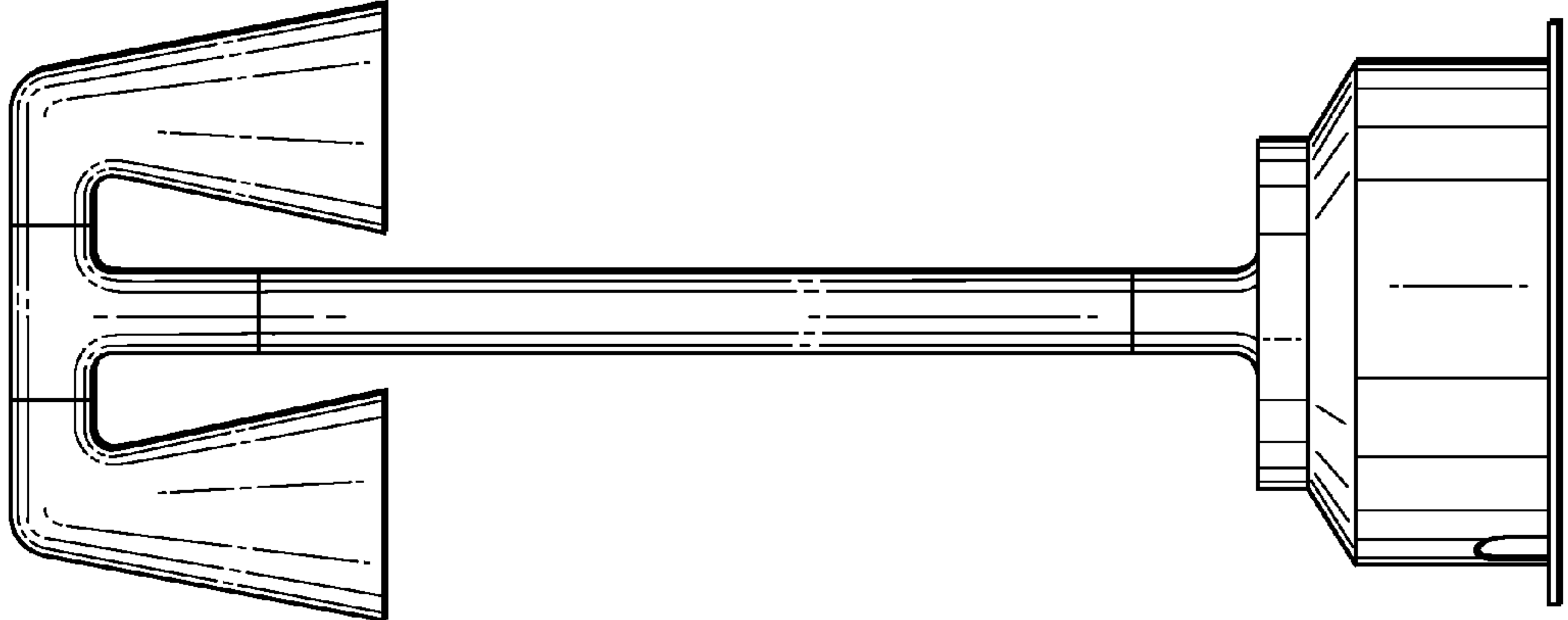


FIG. 2

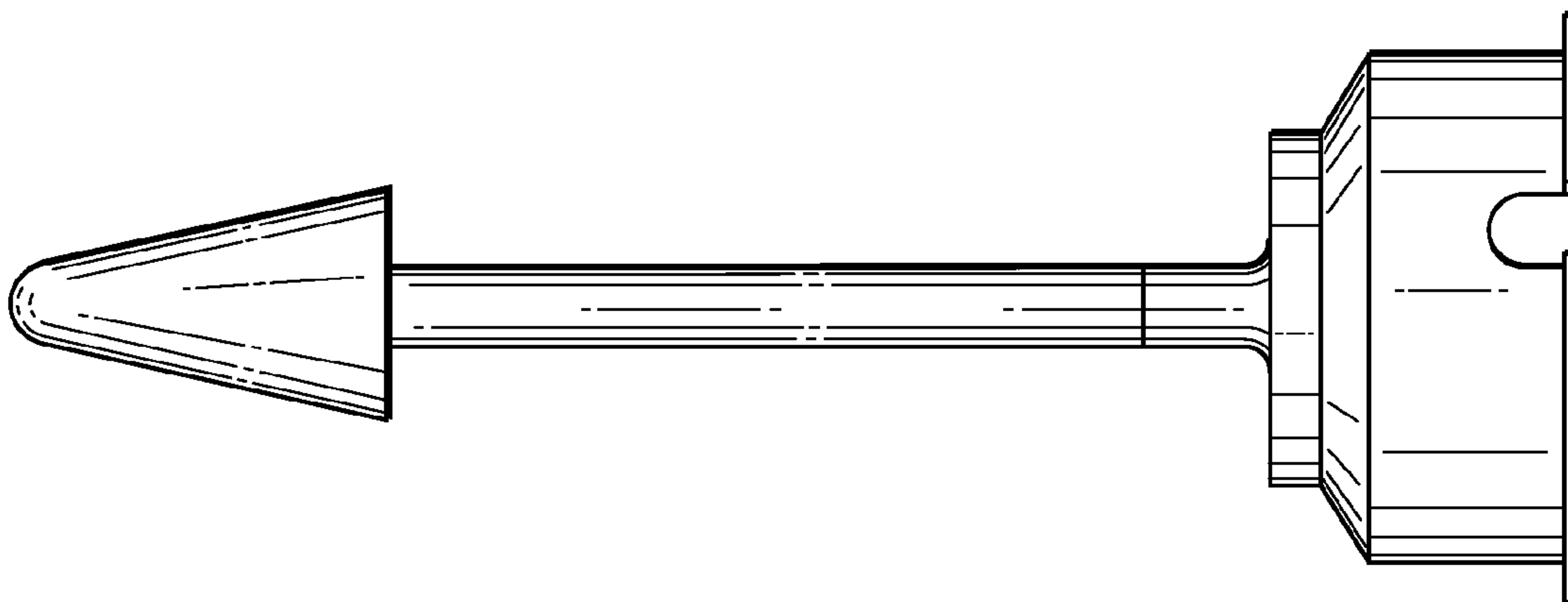


FIG. 7

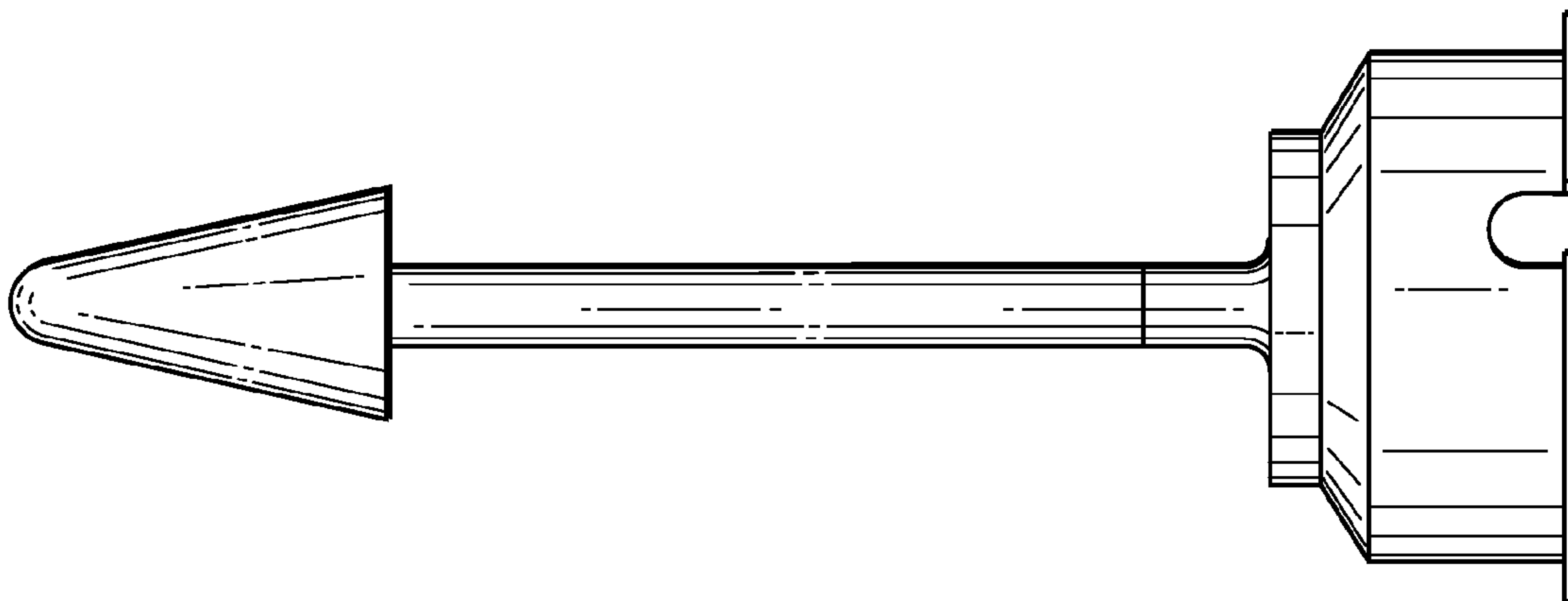


FIG. 6

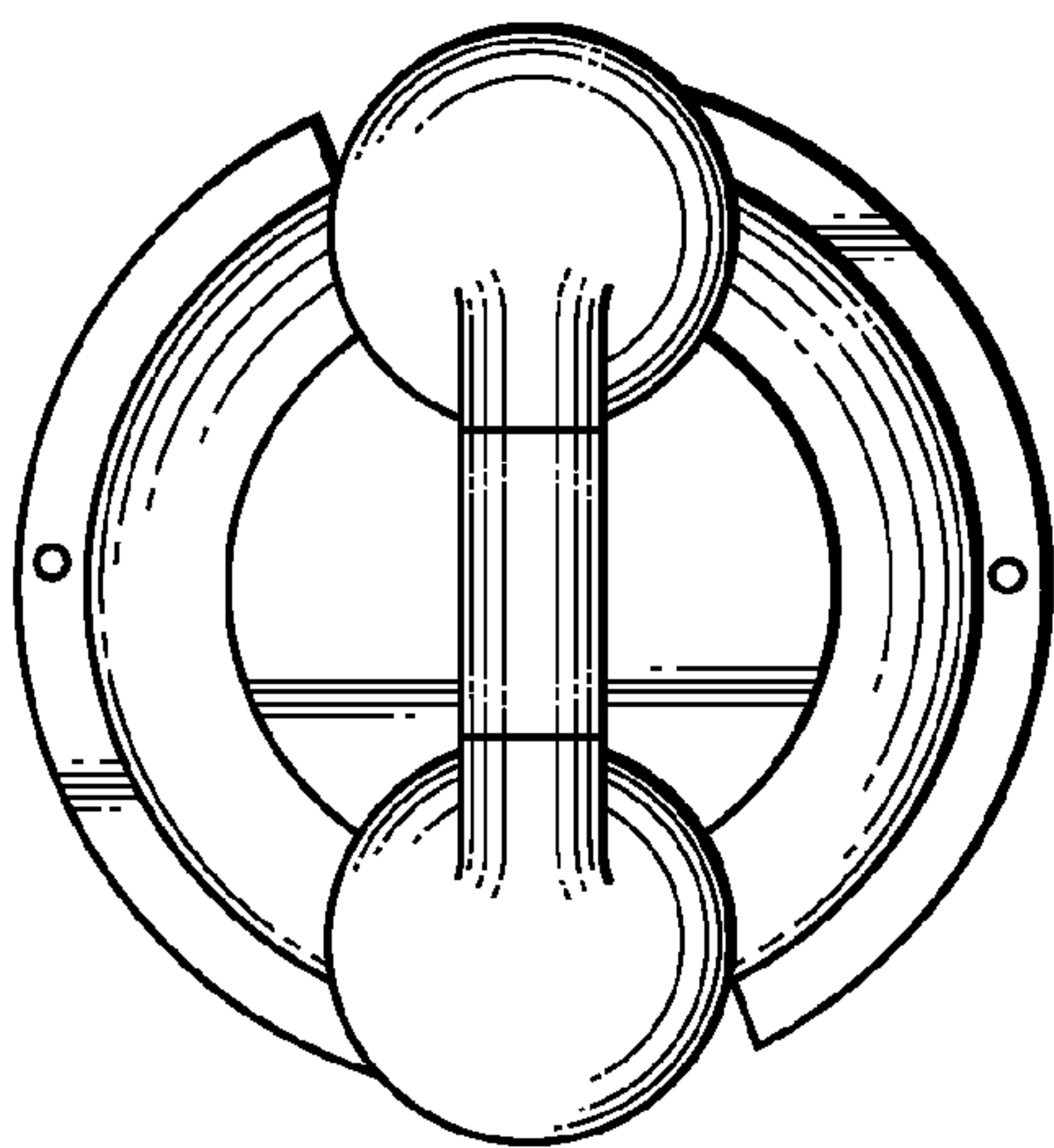


FIG. 4

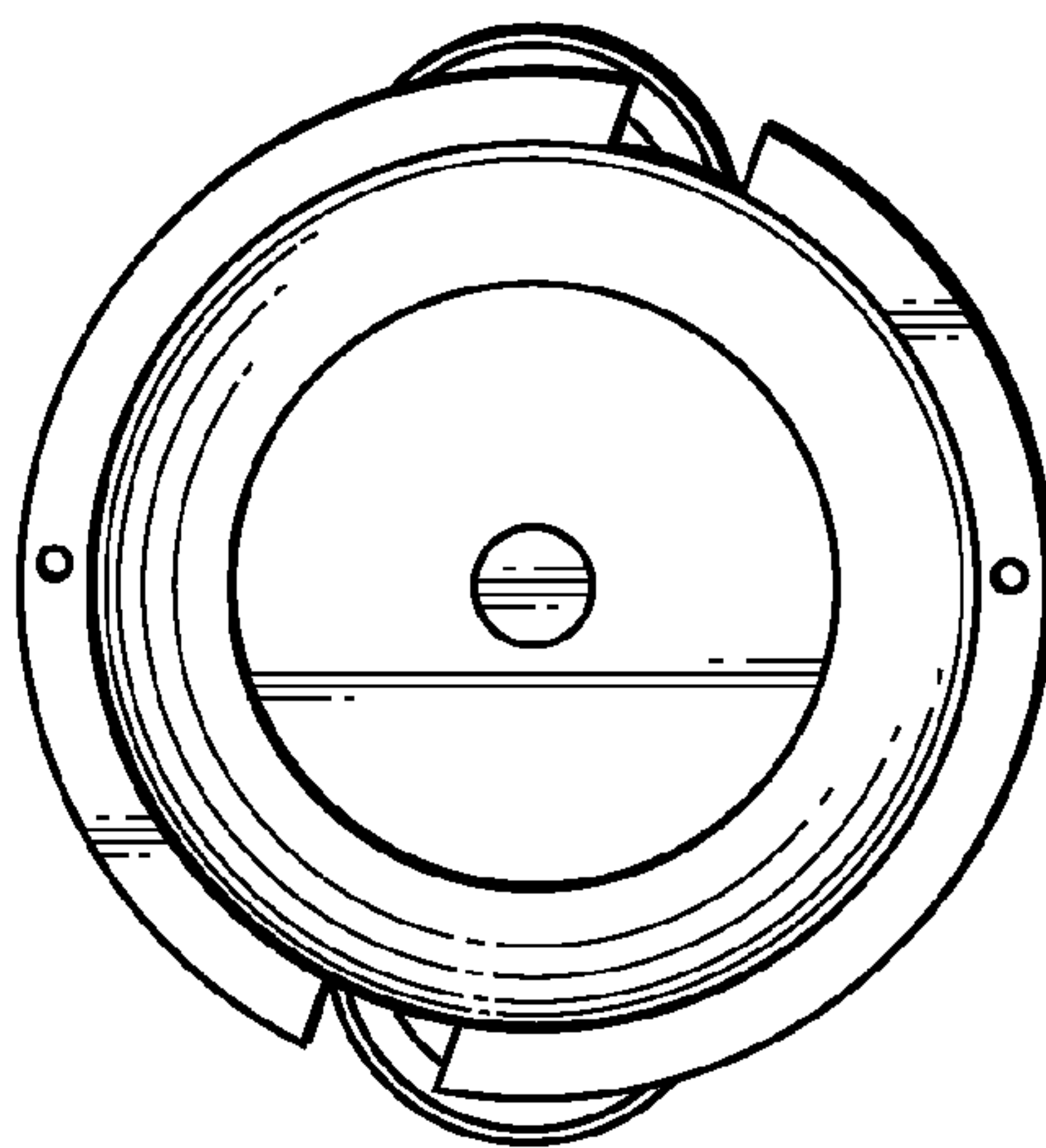


FIG. 5

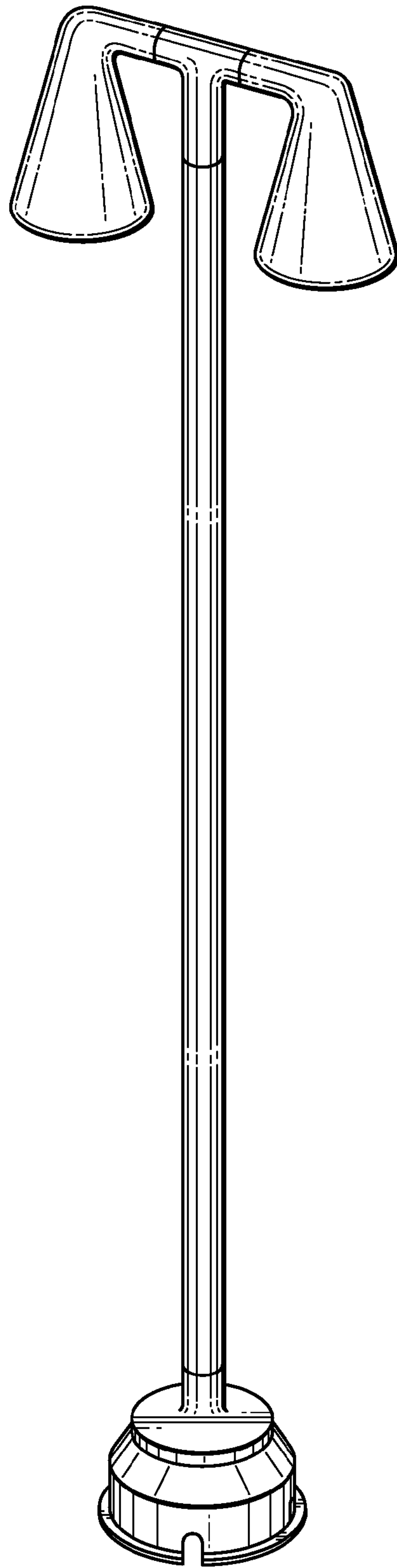


FIG. 8

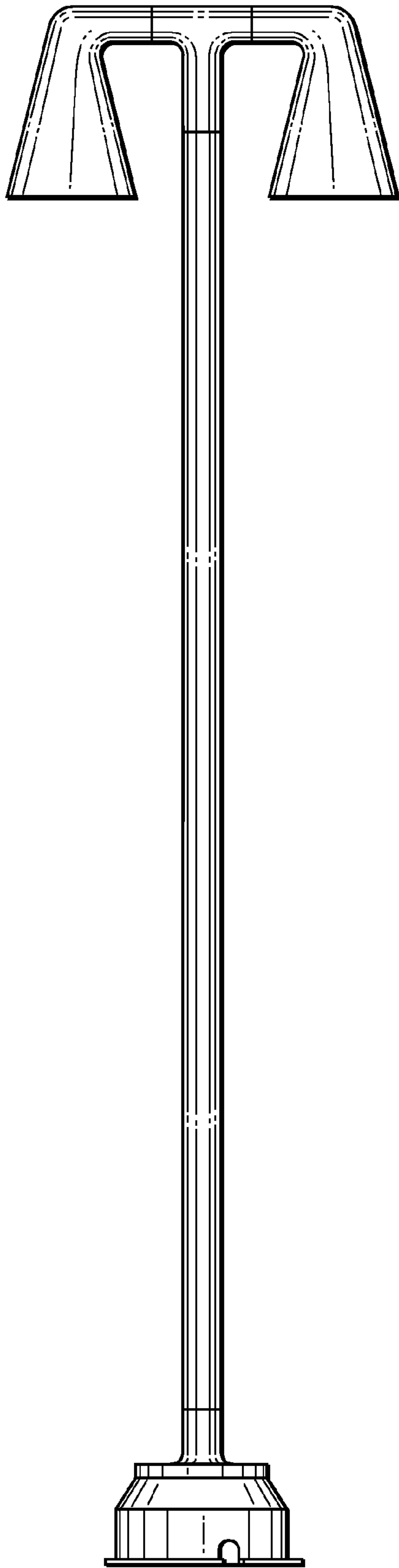


FIG. 9

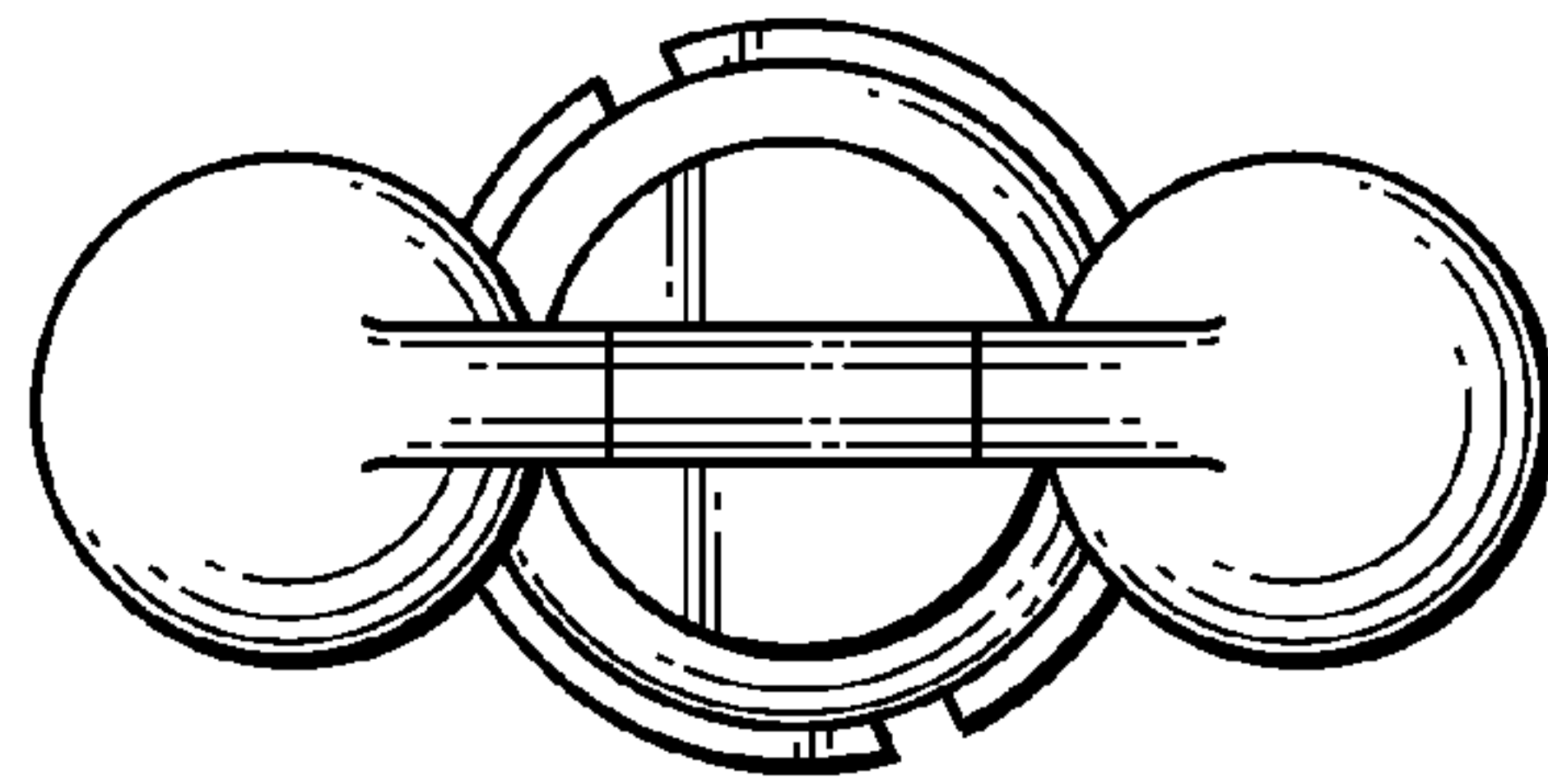


FIG. 10

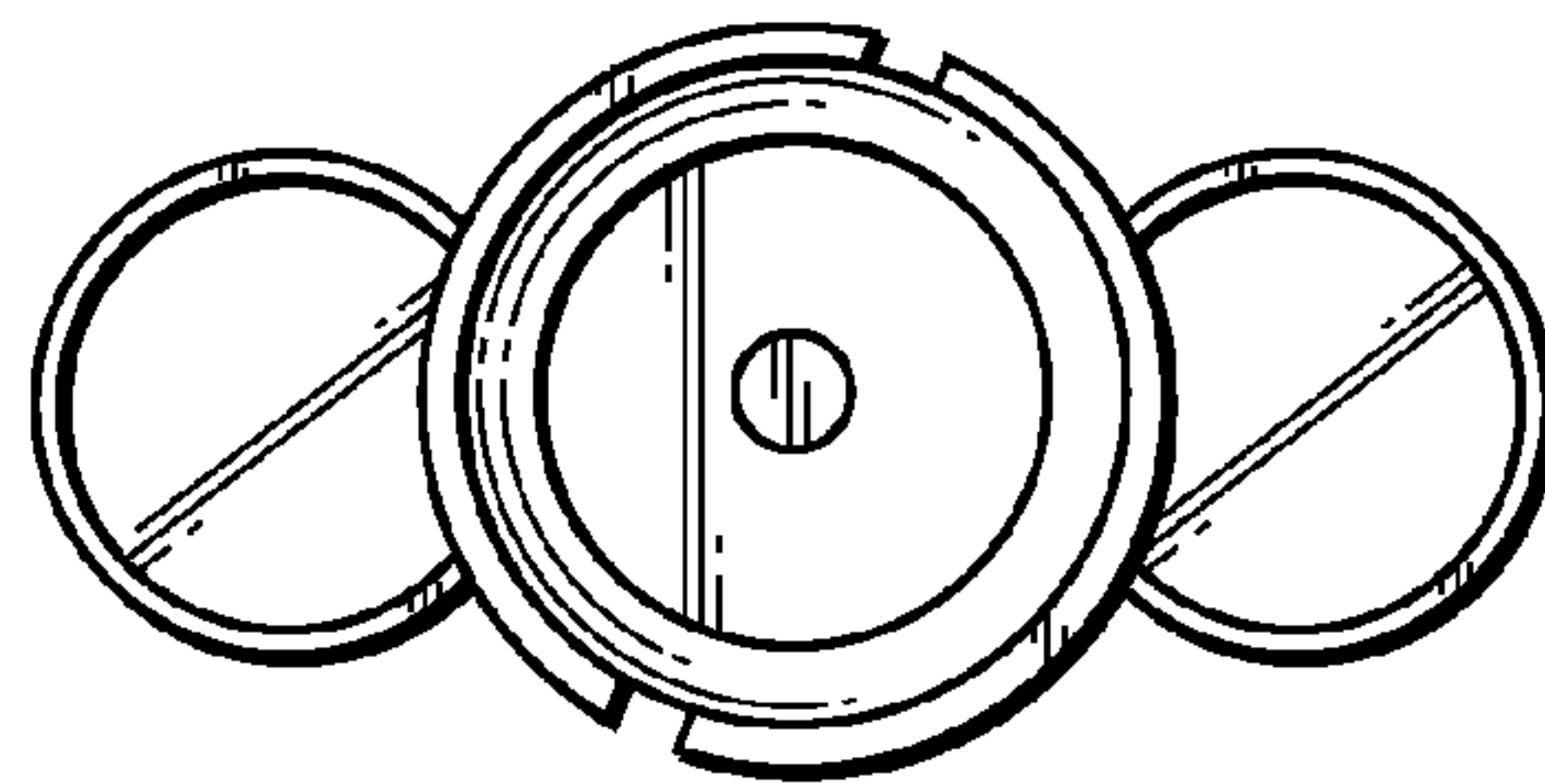


FIG. 11

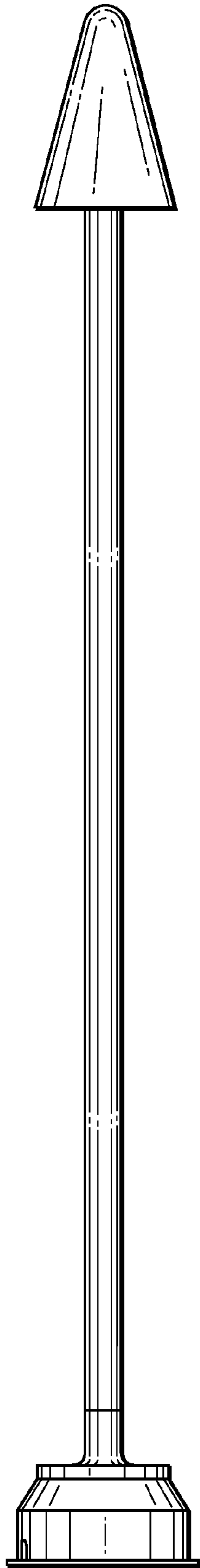


FIG. 12

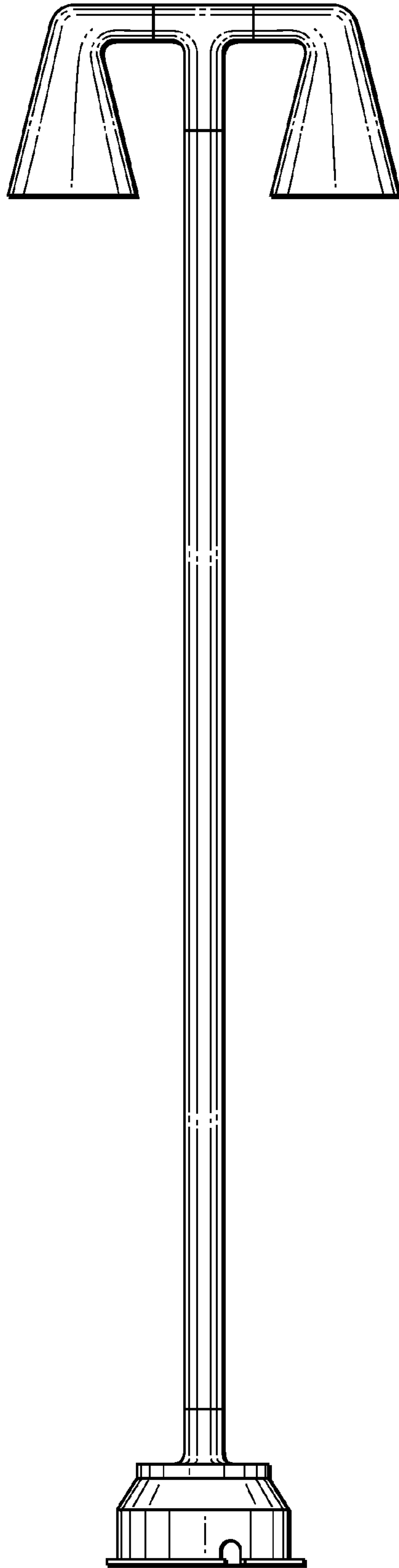


FIG. 13

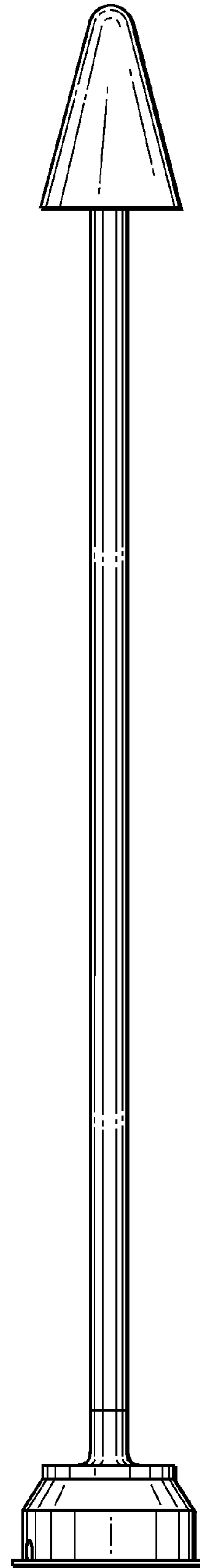


FIG. 14