



US00D574990S

(12) **United States Design Patent**
Tsai

(10) **Patent No.:** **US D574,990 S**

(45) **Date of Patent:** **** Aug. 12, 2008**

(54) **LAMP**

(76) Inventor: **Sam Tsai**, 5F, No. 9, Lane 337, Sec. 2,
Bao-An St., Shulin City, Taipei Hsien
(TW)

(**) Term: **14 Years**

(21) Appl. No.: **29/294,902**

(22) Filed: **Feb. 1, 2008**

(51) **LOC (8) Cl.** **26-05**

(52) **U.S. Cl.** **D26/63; D26/107**

(58) **Field of Classification Search** D26/60-66,
D26/93, 107; 362/269, 275, 287, 410-414,
362/418, 419, 427, 401, 402

See application file for complete search history.

(56) **References Cited**

U.S. PATENT DOCUMENTS

D175,472 S * 8/1955 Kotzin D26/64
2,767,308 A * 10/1956 Newman 362/232
4,974,135 A * 11/1990 Wen-tsung 362/287

D525,382 S * 7/2006 Chen D26/65
D565,224 S * 3/2008 Salatto-Rose D26/65

* cited by examiner

Primary Examiner—Clare E Heflin

Assistant Examiner—Barbara Fox

(57) **CLAIM**

The ornamental design for a lamp, as shown.

DESCRIPTION

FIG. 1 is a perspective view of a lamp showing my new design;

FIG. 2 is a front view thereof;

FIG. 3 is a rear view thereof;

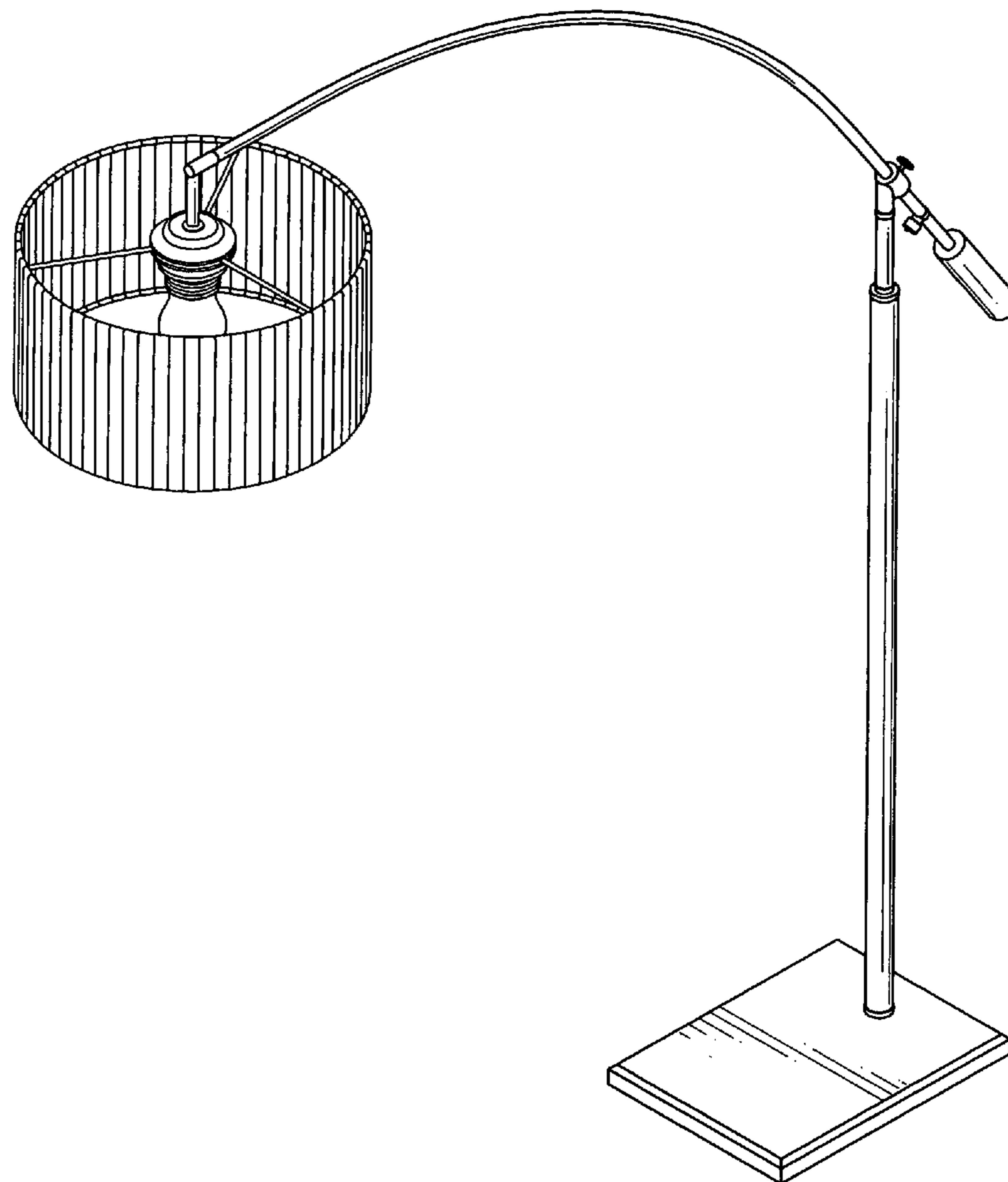
FIG. 4 is a left side view thereof;

FIG. 5 is a right side view thereof;

FIG. 6 is top view thereof; and,

FIG. 7 is a bottom view thereof.

1 Claim, 7 Drawing Sheets



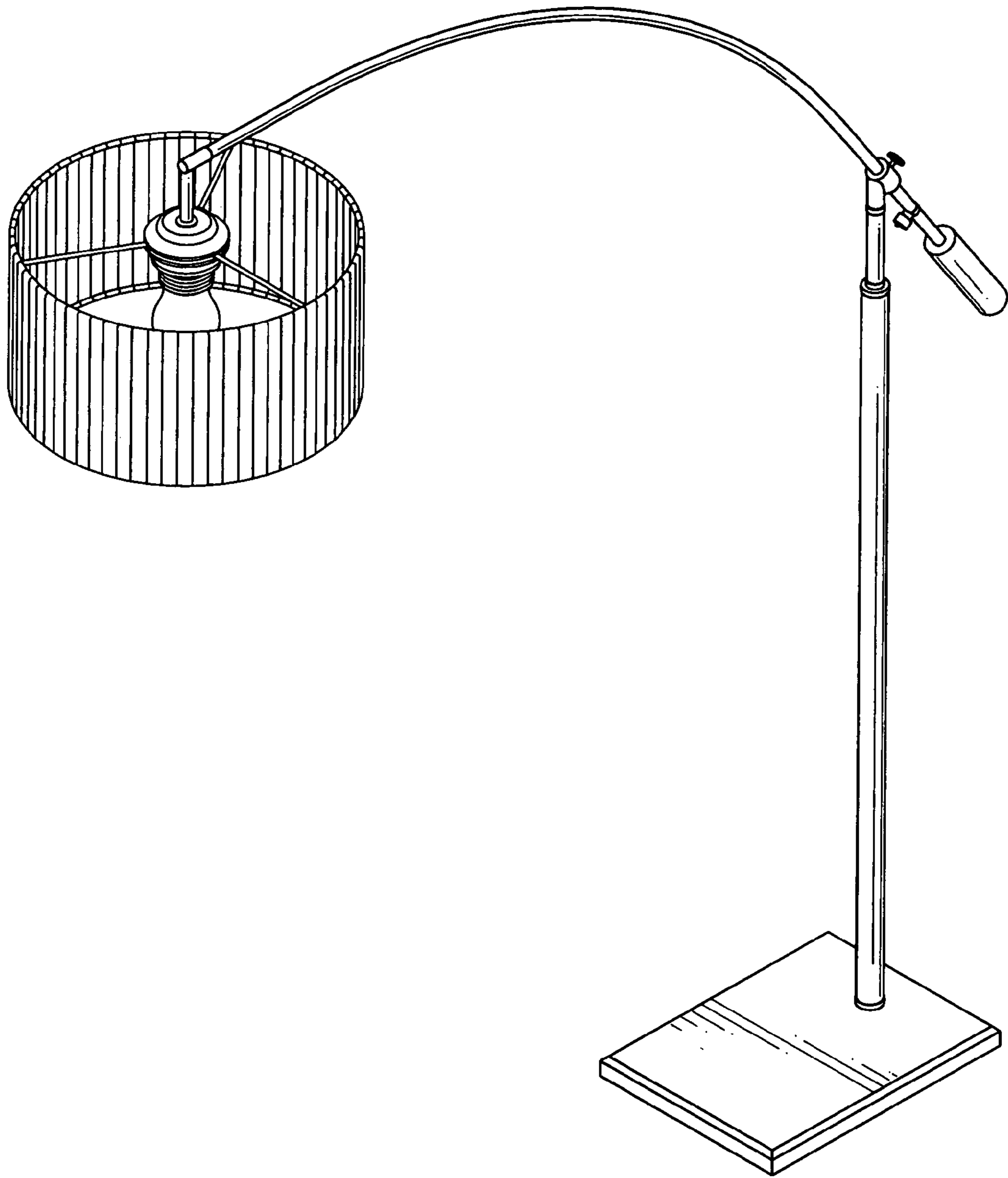


FIG1

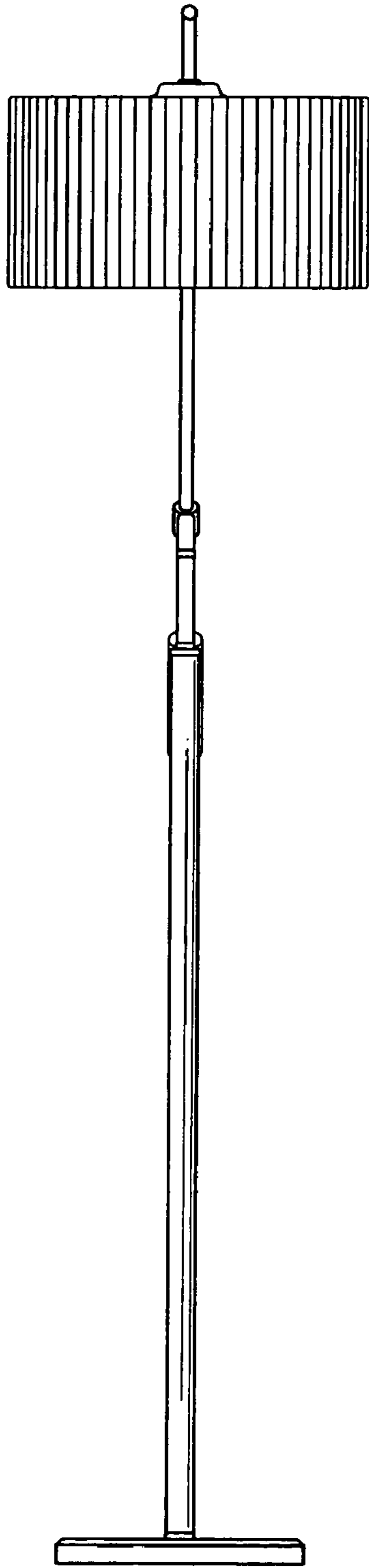


FIG.2

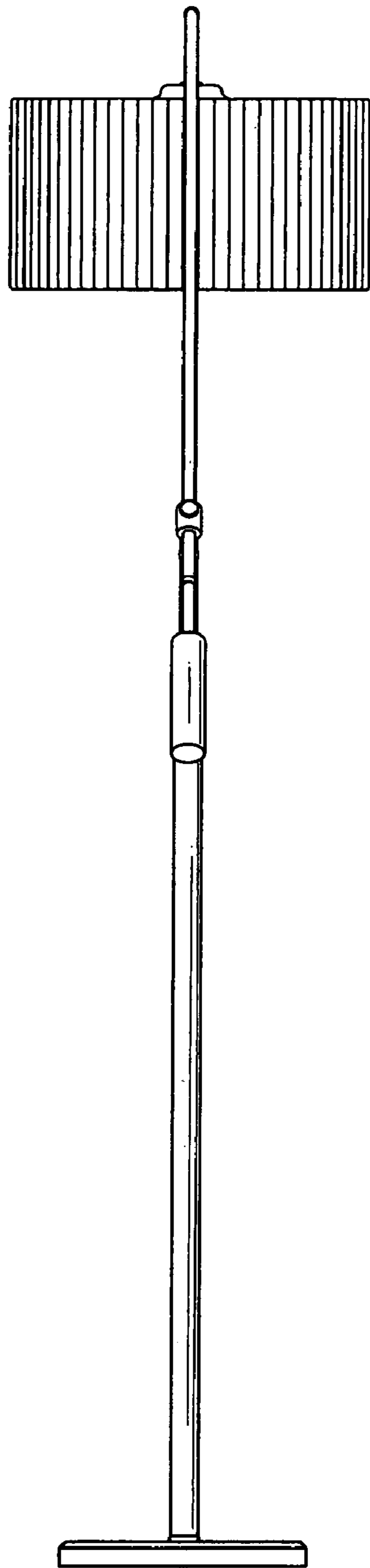


FIG.3



FIG.4

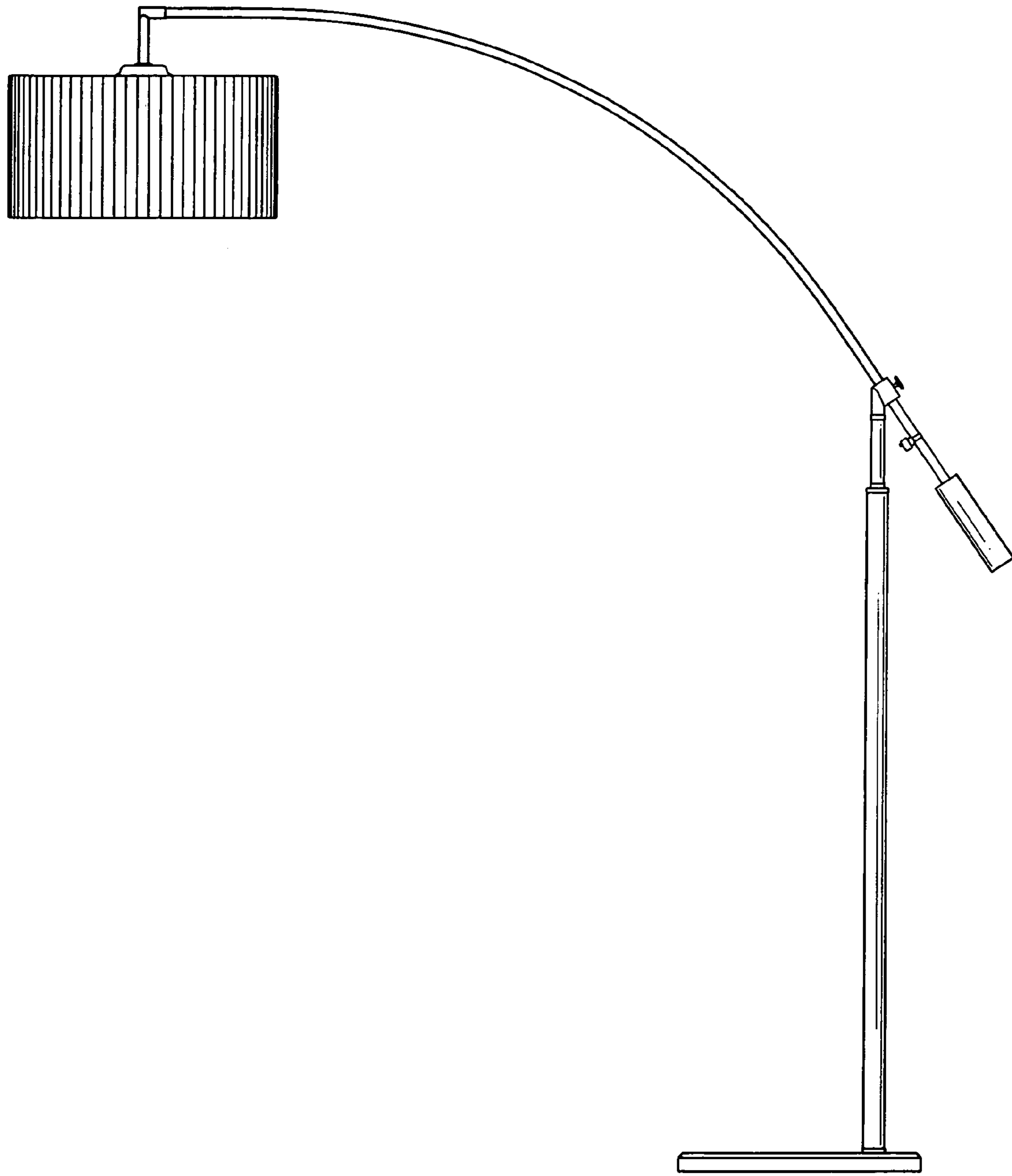


FIG. 5

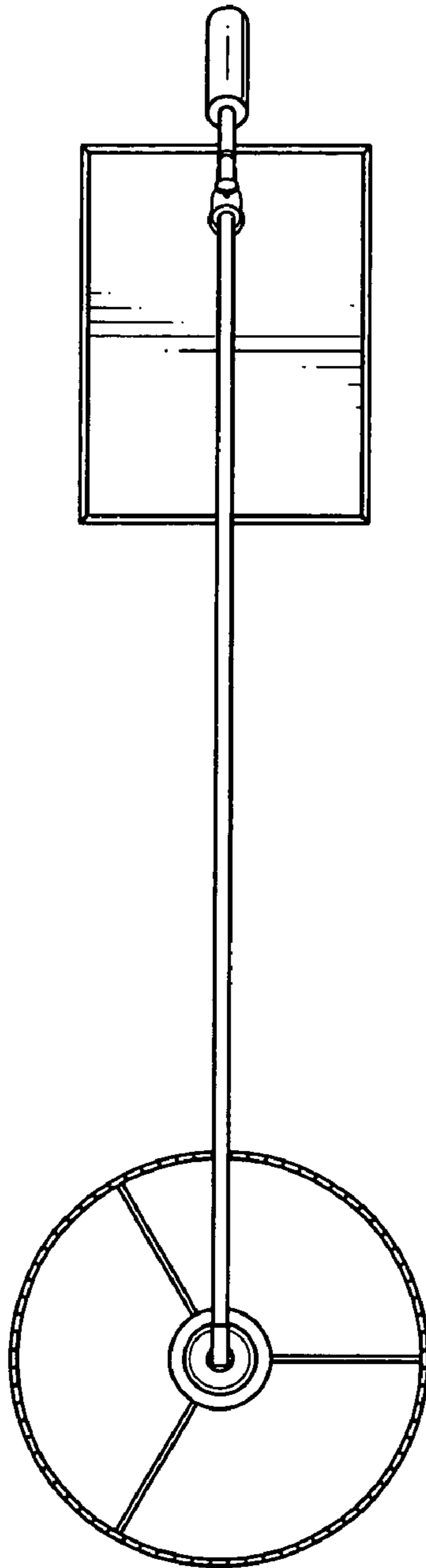


FIG.6

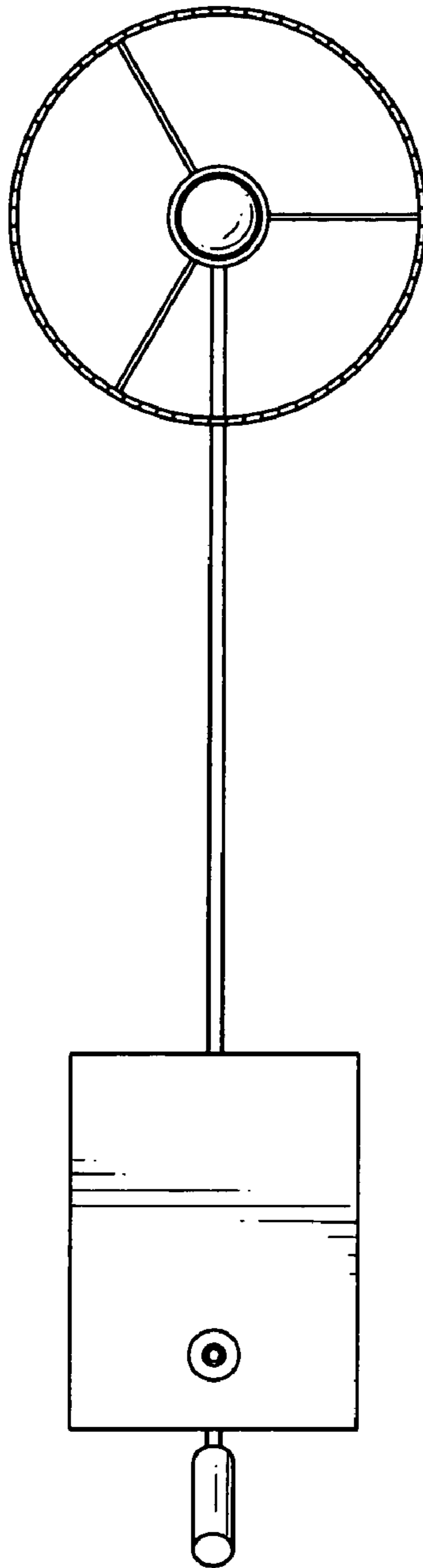


FIG.7