



US00D574989S

(12) **United States Design Patent**
Rodzwell

(10) **Patent No.:** **US D574,989 S**

(45) **Date of Patent:** **** Aug. 12, 2008**

(54) **ROTATING BI-DIRECTIONAL SIDE-LIT PANEL**

D526,362 S * 8/2006 Priegel D20/41

OTHER PUBLICATIONS

(75) Inventor: **Daniel F. Rodzwell**, Oconomoc, WI (US)

<http://everbrite.com> [retrieved Apr. 1, 2008] Everbrite point-of-purchase sign: "Smithwick's".*

* cited by examiner

(73) Assignee: **Everbrite, L.L.C.**, Greenfield, WI (US)

Primary Examiner—Cathron Brooks

Assistant Examiner—Barbara Fox

(**) Term: **14 Years**

(74) *Attorney, Agent, or Firm*—Richard S. Missimer; Patents Penned, S.C.

(21) Appl. No.: **29/291,120**

(22) Filed: **Aug. 15, 2007**

(57) **CLAIM**

(51) **LOC (8) Cl.** **26-05**

I claim the ornamental design for a rotating bi-directional side-lit panel, as shown and described.

(52) **U.S. Cl.** **D26/63**

(58) **Field of Classification Search** D26/60–66,
D26/72, 75, 85–89; 362/147, 148, 364–366,
362/231, 280, 283, 284, 285, 374, 375, 811;
D20/10, 16, 17, 21, 41, 42

DESCRIPTION

See application file for complete search history.

FIG. 1 is a front perspective view of a rotating bi-directional side-lit panel showing my new design;

FIG. 2 is a front side view thereof;

FIG. 3 is a rear side view thereof;

FIG. 4 is a left side view thereof;

FIG. 5 is a right side view thereof;

FIG. 6 is a top side view; and,

FIG. 7 is a bottom side view.

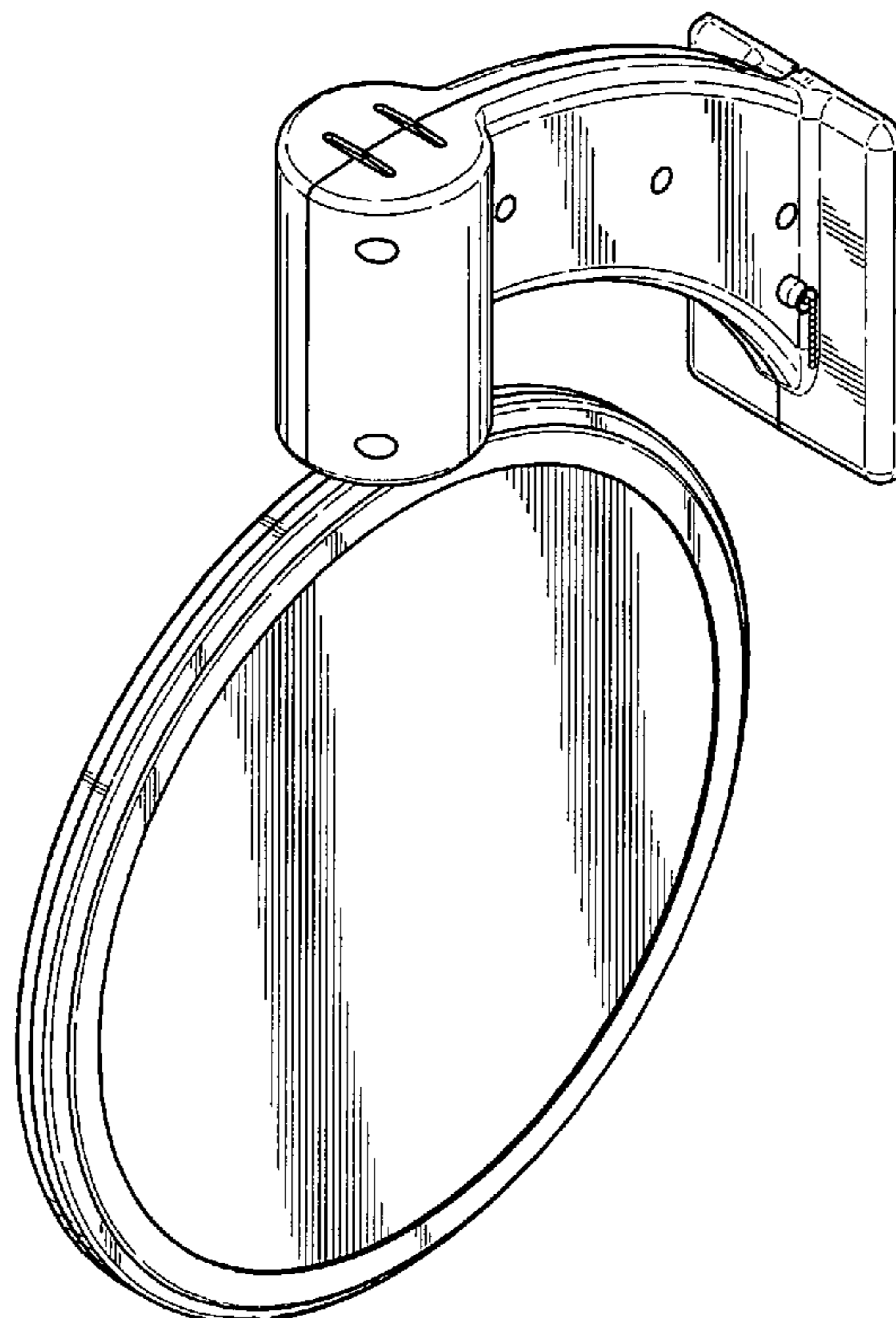
In the drawings, the broken lines shown in FIGS. 2 and 5 form no part of the claimed design. Unclaimed display art or text may be included on either or both sides of the invention.

(56) **References Cited**

U.S. PATENT DOCUMENTS

1,515,005	A *	11/1924	Wolter	362/143
1,853,523	A *	4/1932	Titman	40/559
D124,524	S *	1/1941	Benioff	D20/10
2,614,207	A *	10/1952	Smith	362/332
D219,723	S *	1/1971	Roberts	D20/41
D419,604	S *	1/2000	Emmett	D20/10
6,161,319	A *	12/2000	Rink et al.	40/502
D514,165	S *	1/2006	McCudden et al.	D20/41

1 Claim, 4 Drawing Sheets



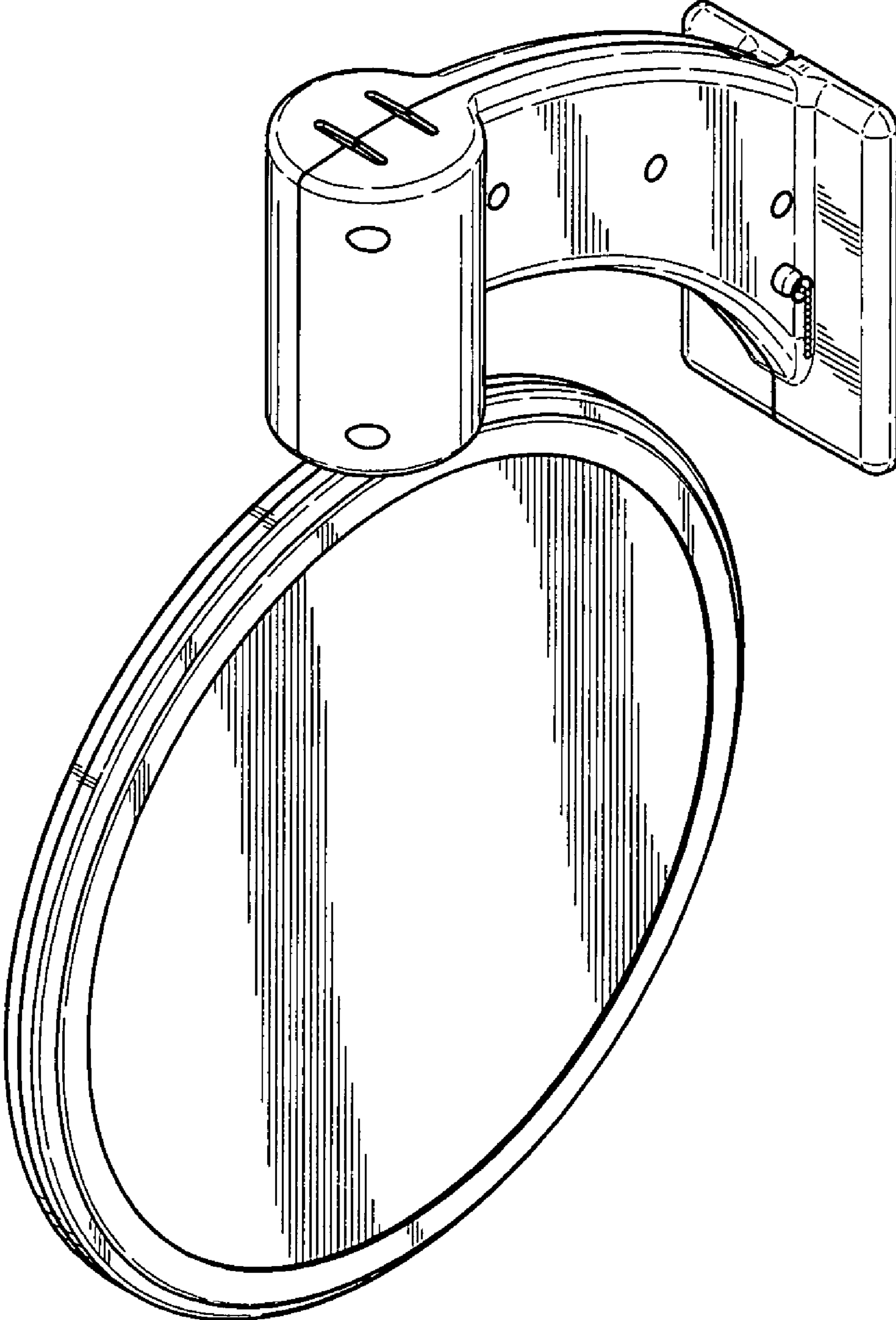


FIG. 1

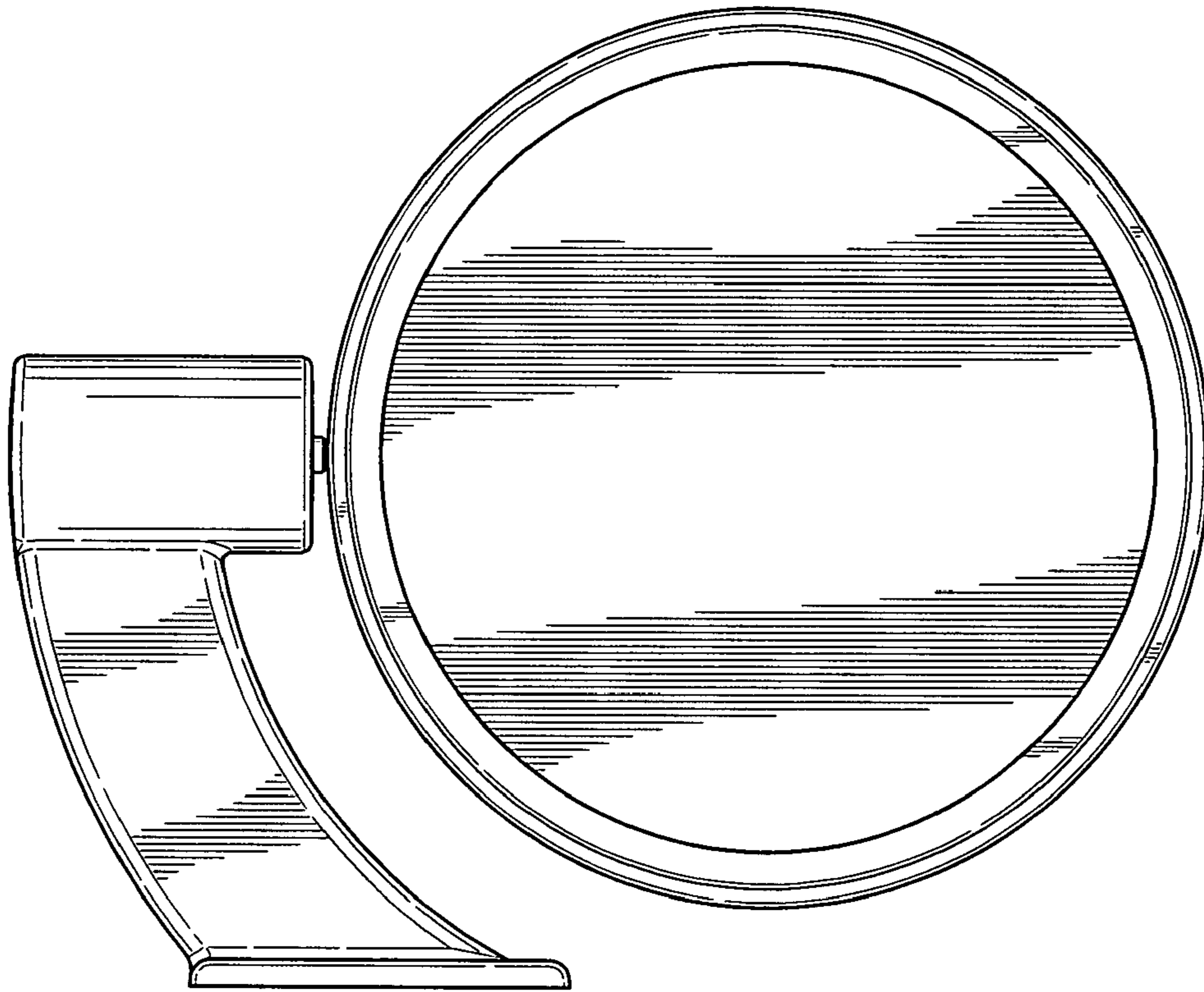


FIG. 3

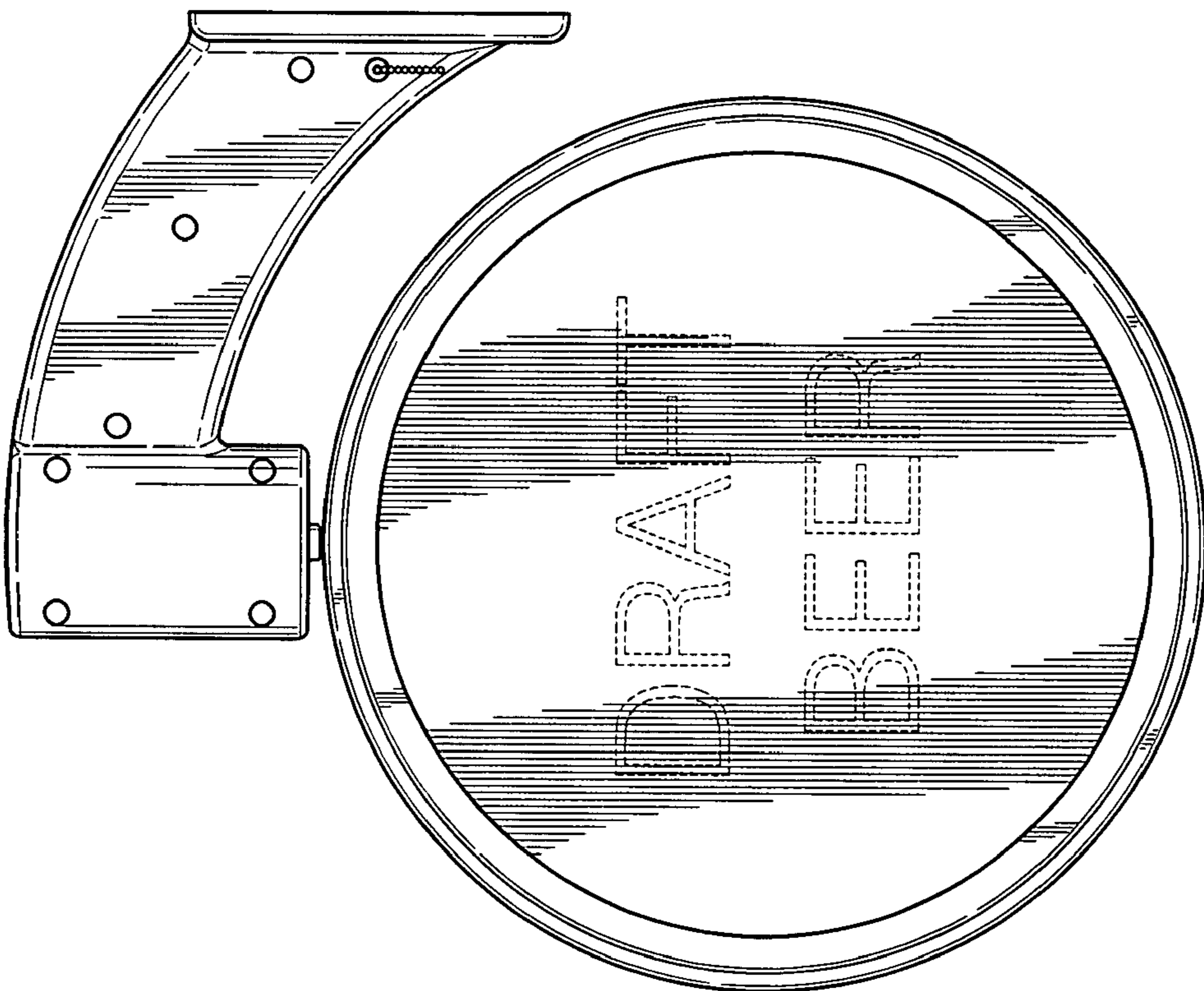


FIG. 2

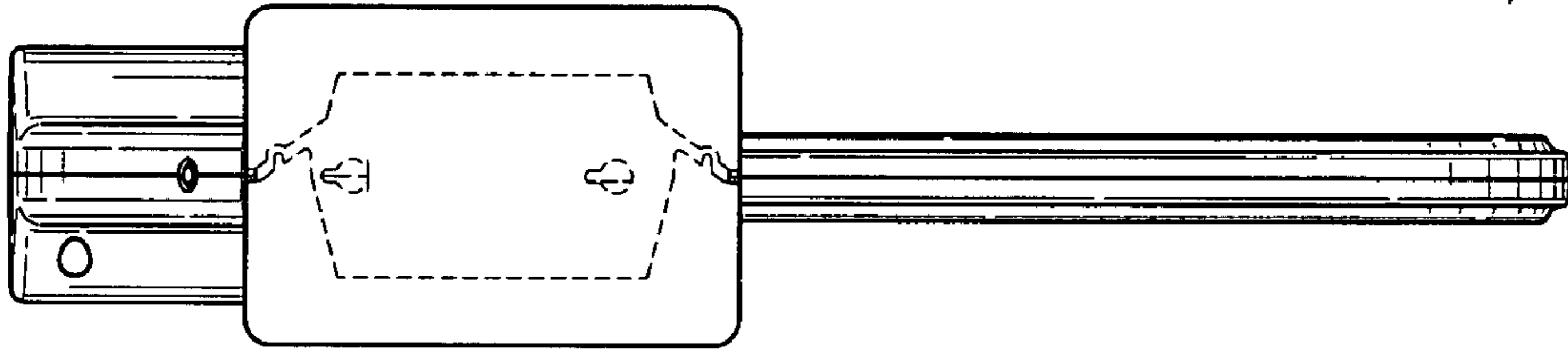


FIG. 5

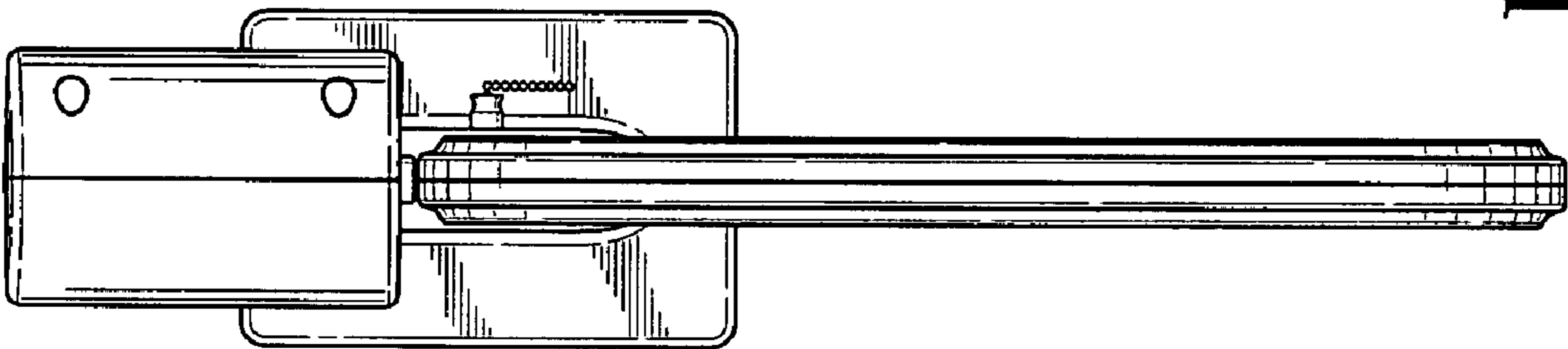


FIG. 4

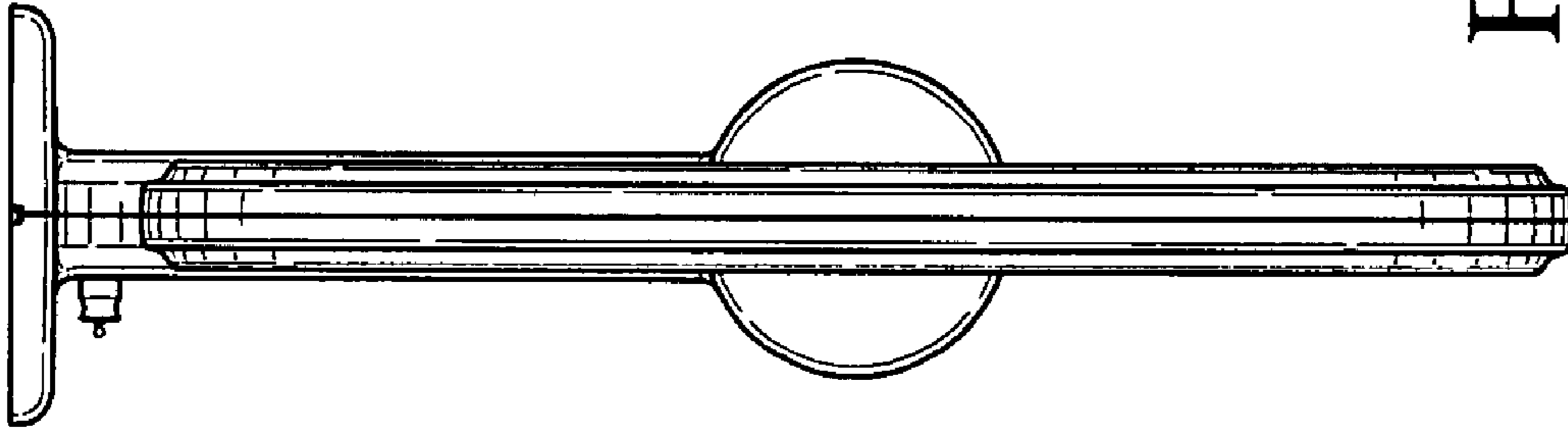


FIG. 7

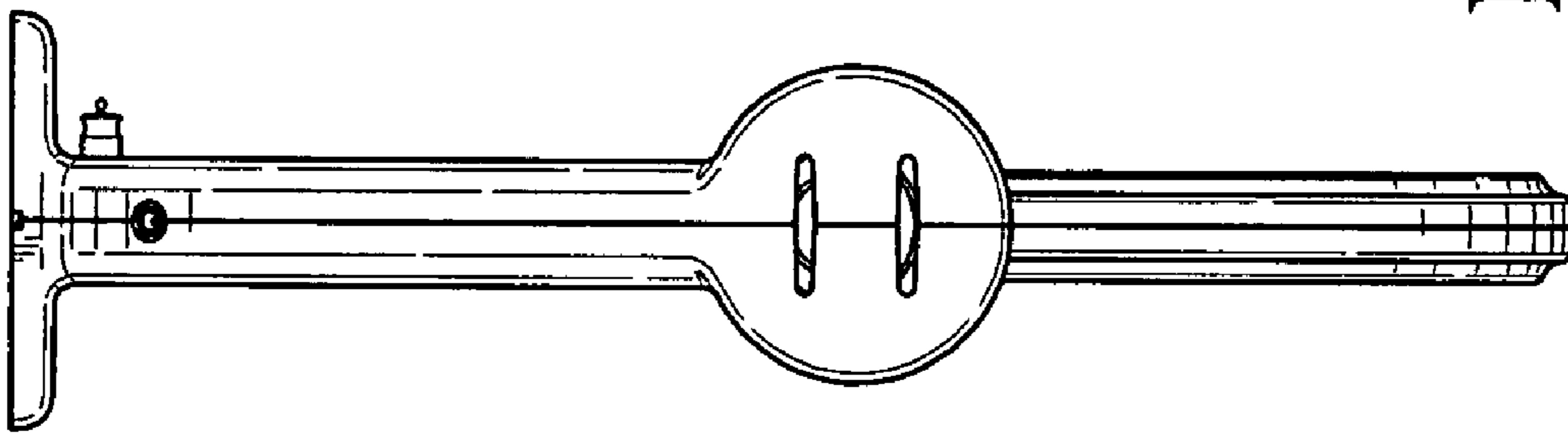


FIG. 6