



US00D574988S

(12) **United States Design Patent**
Cheng et al.

(10) **Patent No.:** **US D574,988 S**
(45) **Date of Patent:** **** Aug. 12, 2008**

(54) **GRILL LIGHT**

(75) Inventors: **Calvin Cheng**, Macau (CN); **Candice Parish**, Plano, TX (US)

(73) Assignee: **Ho Tin Manufacturing LLC**, Plano, TX (US)

(**) Term: **14 Years**

(21) Appl. No.: **29/277,391**

(22) Filed: **Feb. 23, 2007**

(51) **LOC (8) Cl.** **26-05**

(52) **U.S. Cl.** **D26/63**

(58) **Field of Classification Search** D26/51,
D26/60-71, 113; D13/102; 361/92, 183,
361/153, 285, 287, 288, 362, 363, 431, 427;
126/589; 136/251

See application file for complete search history.

(56) **References Cited**

U.S. PATENT DOCUMENTS

6,040,522	A	3/2000	Beggs	
6,202,640	B1	3/2001	Naperola et al.	
D470,962	S *	2/2003	Chen	D26/63
D494,536	S *	8/2004	Pu	D13/102
D531,748	S *	11/2006	Sanoner	D26/68
D533,298	S *	12/2006	Kuelbs et al.	D13/102
D557,435	S *	12/2007	Hon et al.	D26/63
2001/0033484	A1	10/2001	Gilley	

2004/0228117	A1	11/2004	Witzel et al.	
2005/0013130	A1	1/2005	Li	
2005/0103378	A1 *	5/2005	Pu et al.	136/291
2005/0155597	A1	7/2005	Wolter et al.	
2005/0201106	A1 *	9/2005	Hartmann et al.	362/360

* cited by examiner

Primary Examiner—Cathron Brooks

Assistant Examiner—Barbara Fox

(74) *Attorney, Agent, or Firm*—Senniger Powers LLP

(57) **CLAIM**

The ornamental design for a grill light, as shown and described.

DESCRIPTION

FIG. 1 is a front perspective view of a grill light showing our new design.

FIG. 2 is a front plan view thereof.

FIG. 3 is a rear plan view thereof.

FIG. 4 is a top plan view thereof.

FIG. 5 is a bottom plan view thereof.

FIG. 6 is a right side elevational view thereof; and,

FIG. 7 is a left side elevational view thereof.

In the drawings, the broken line showing of a post and collar depicts environmental subject matter and forms no part of the claim.

1 Claim, 7 Drawing Sheets

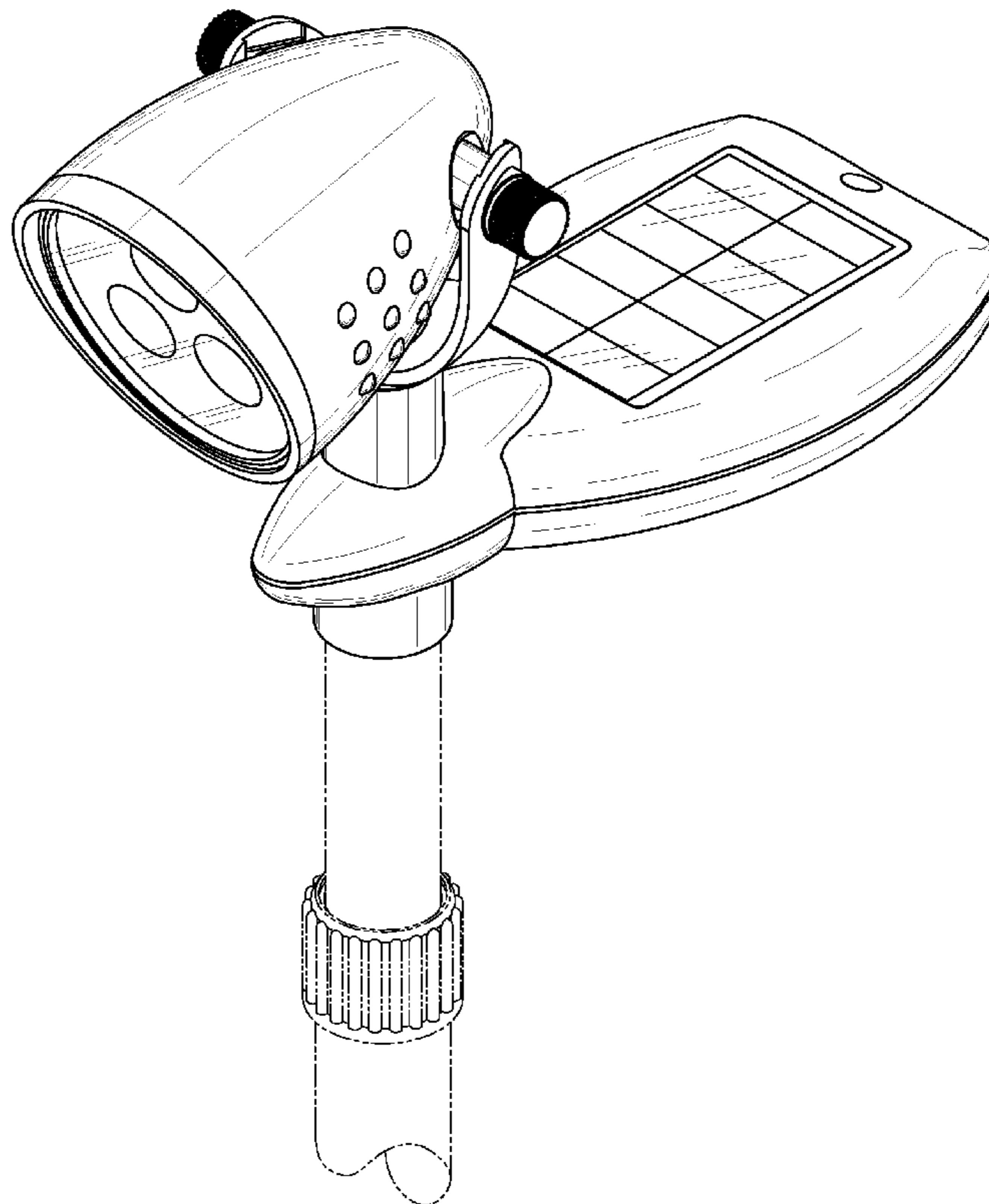


FIG. 1

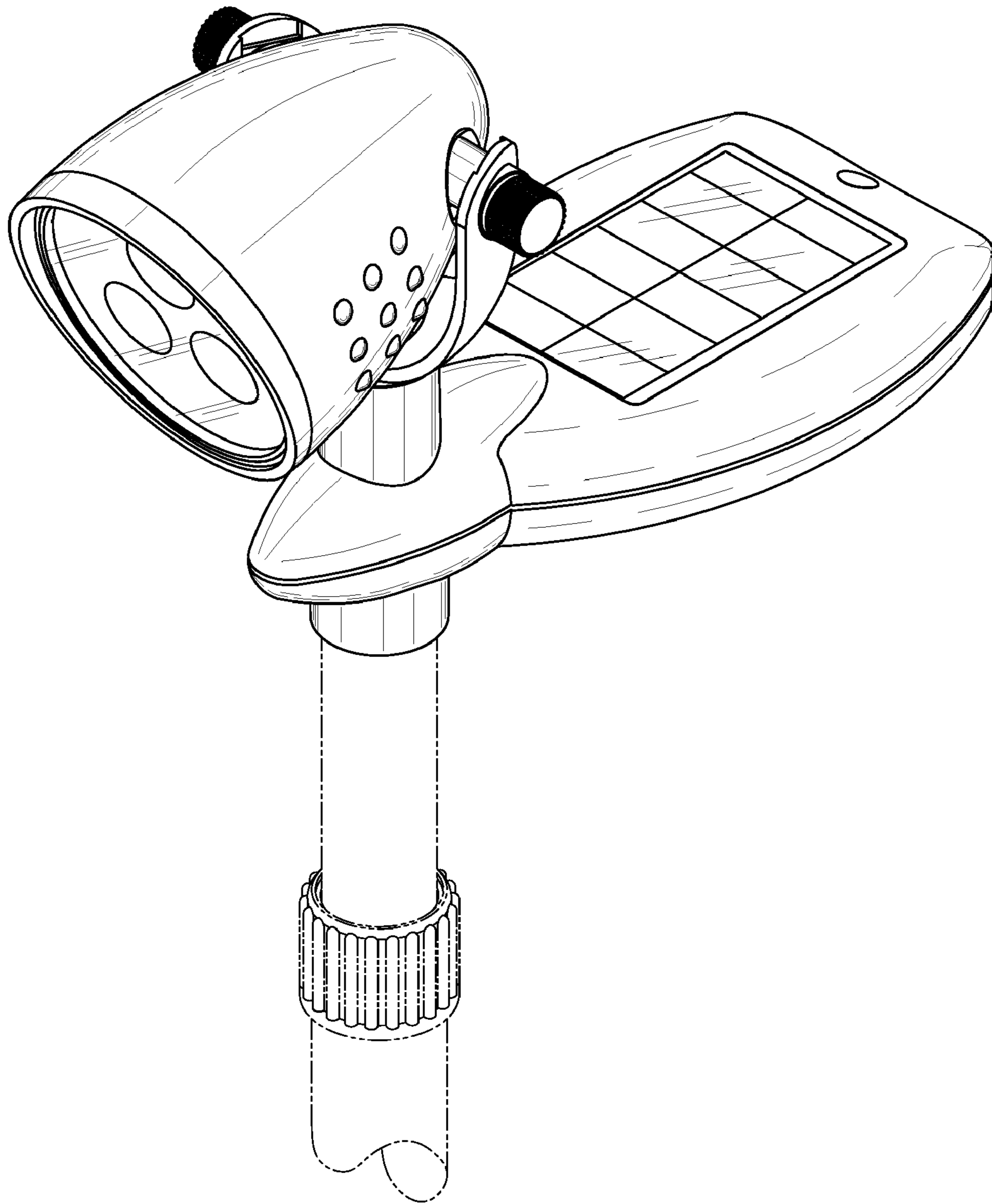


FIG. 2

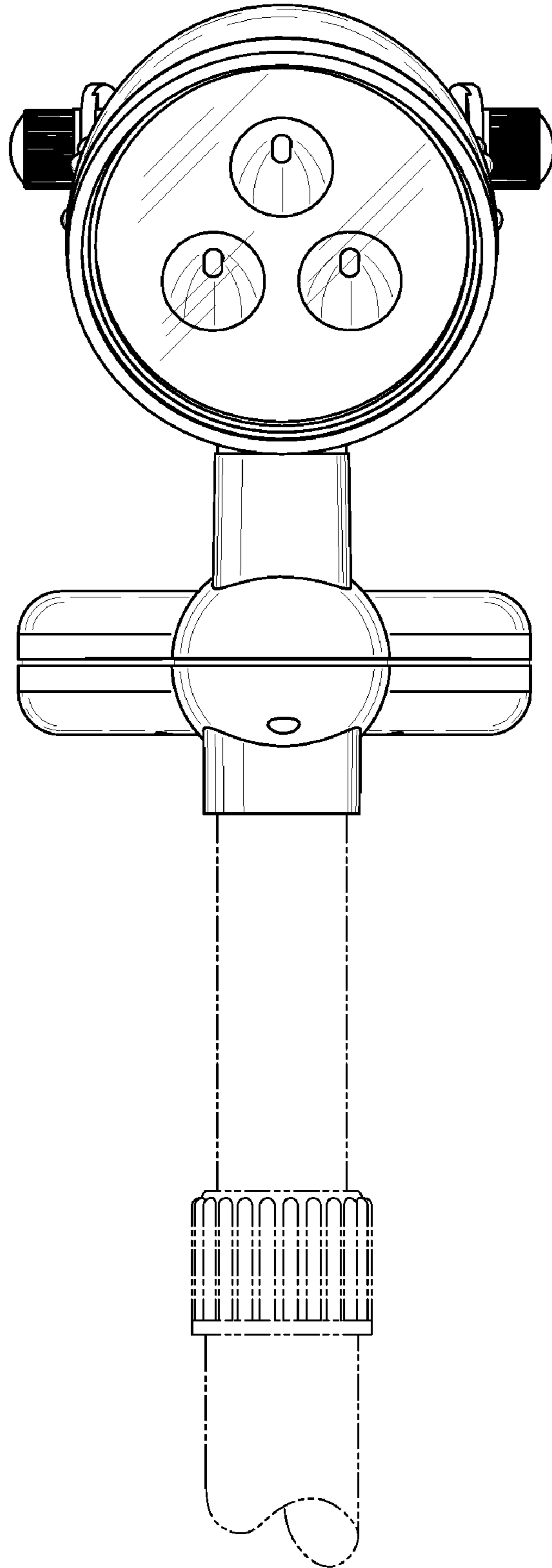


FIG. 3

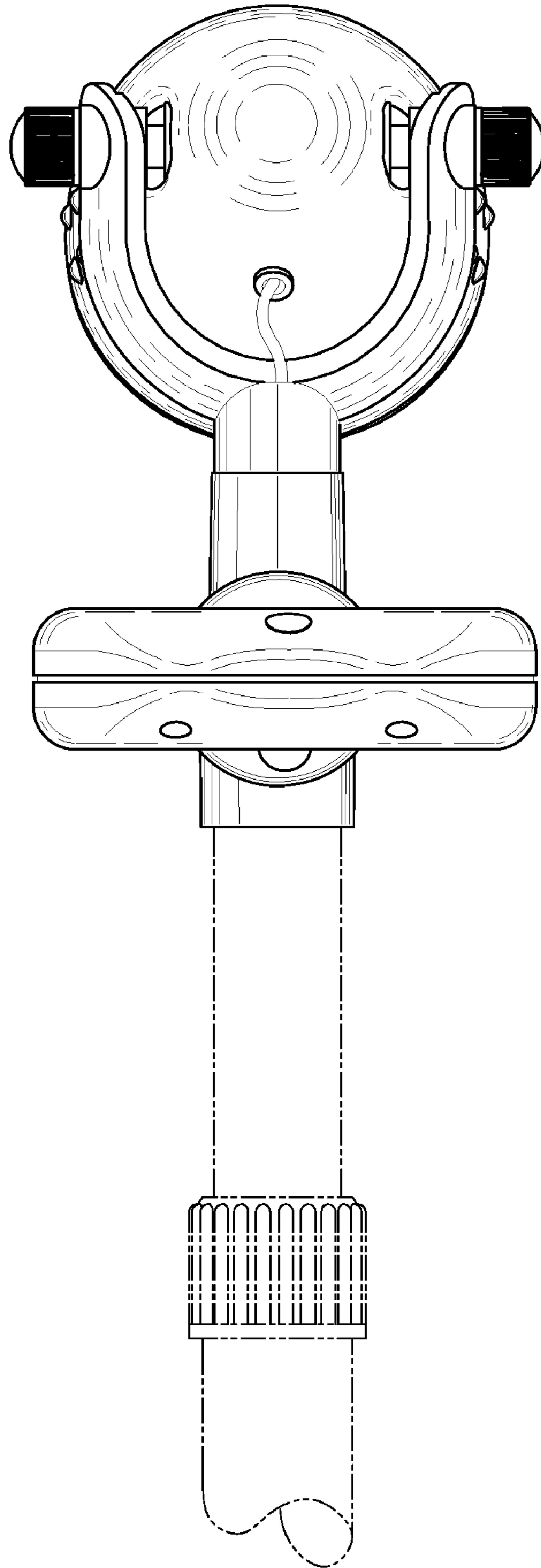


FIG. 4

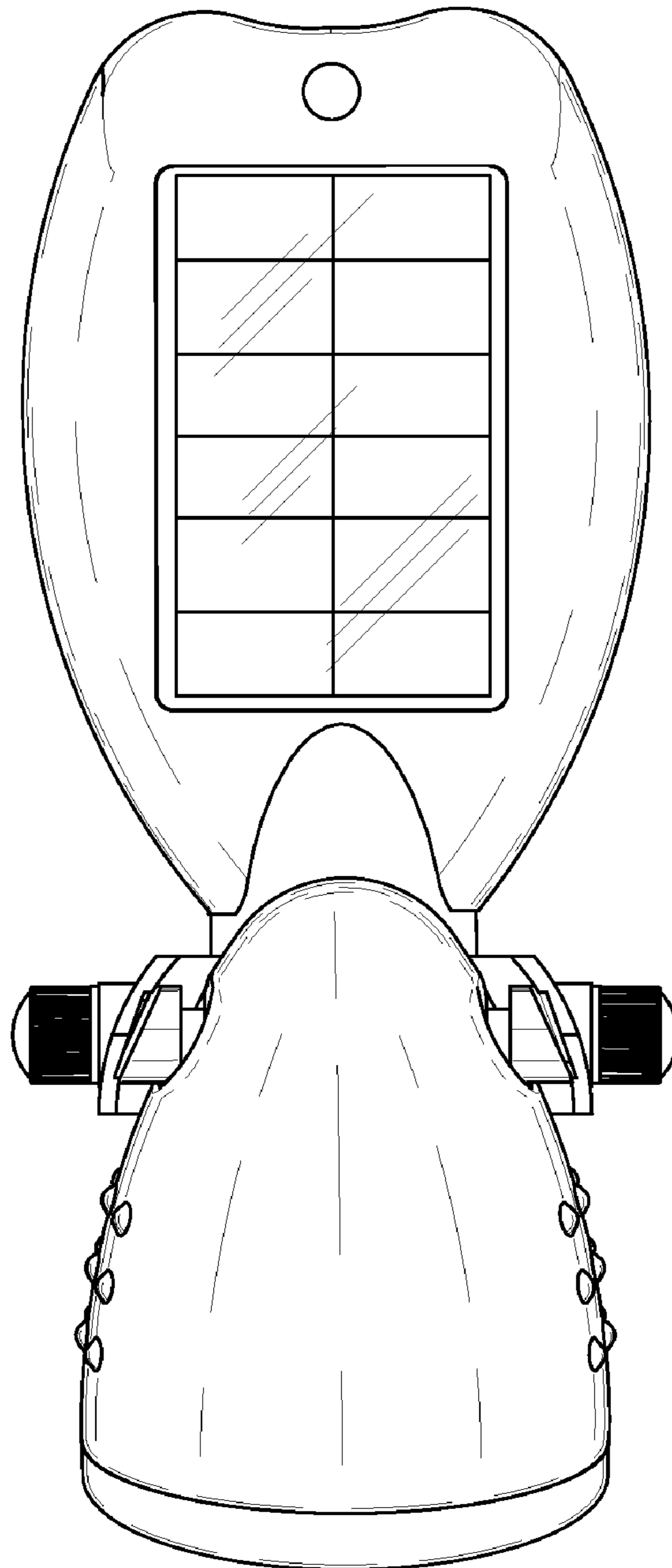


FIG. 5

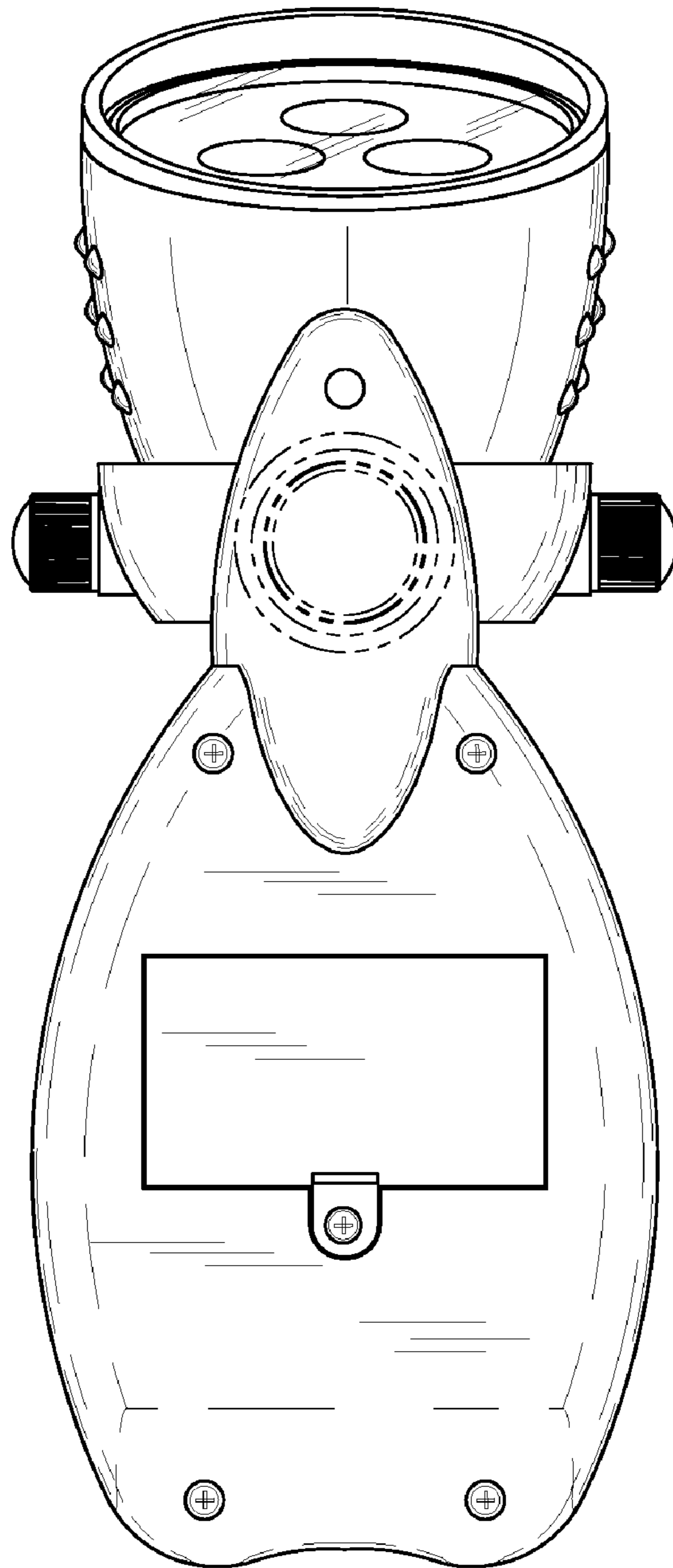


FIG. 6

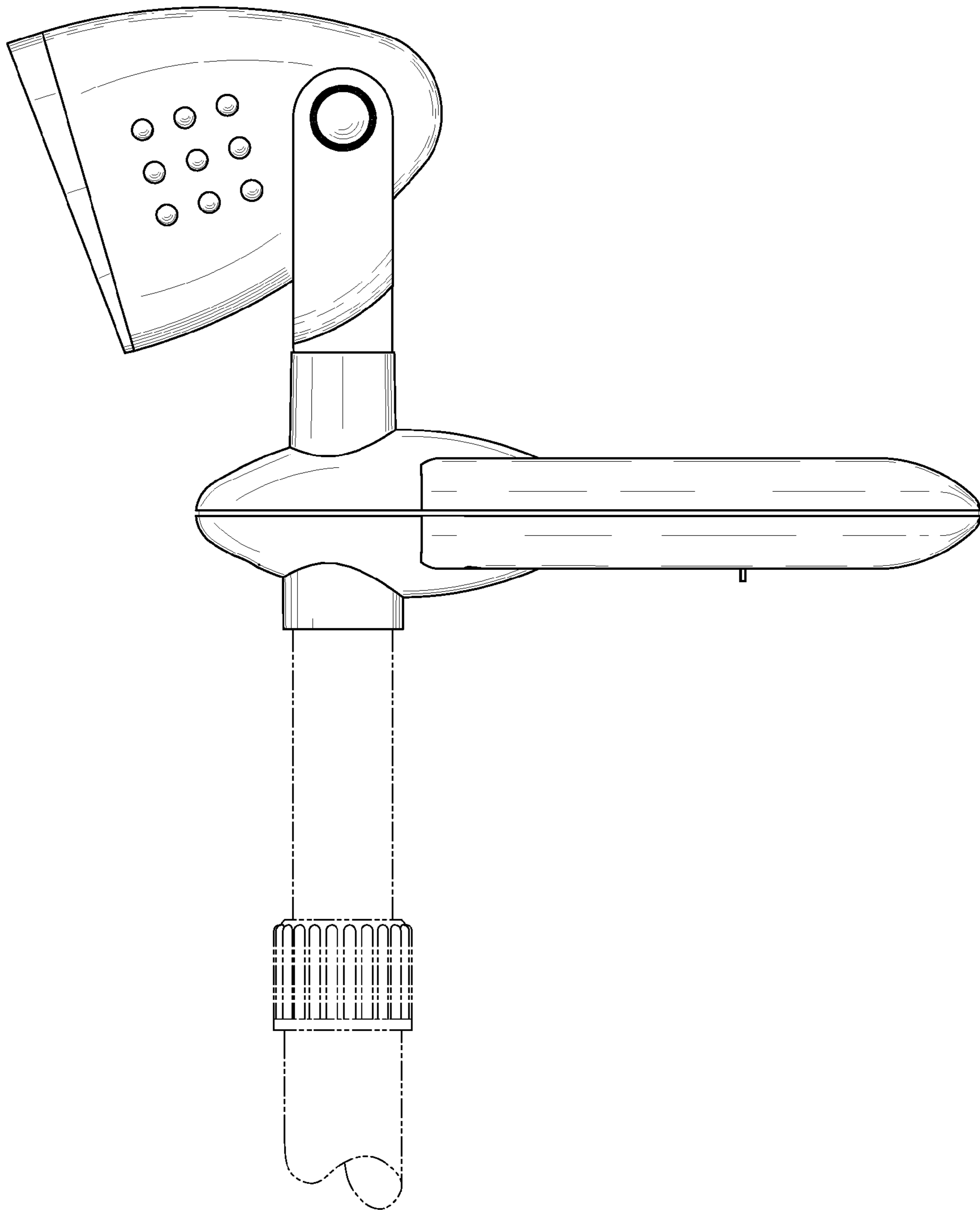


FIG. 7

