

US00D574982S

(12) **United States Design Patent**
Lau

(10) **Patent No.:** **US D574,982 S**
(45) **Date of Patent:** **** Aug. 12, 2008**

(54) **FLASHLIGHT**

(75) Inventor: **Fermi Lau**, Kowloon (CN)

(73) Assignee: **Foundton Company Limited**, Kowloon, Hong Kong (CN)

(**) Term: **14 Years**

(21) Appl. No.: **29/272,448**

(22) Filed: **Feb. 8, 2007**

(30) **Foreign Application Priority Data**

Aug. 8, 2006 (HK) 0602098

(51) **LOC (8) Cl.** **26-02**

(52) **U.S. Cl.** **D26/37**

(58) **Field of Classification Search** D26/37,
D26/46, 48, 49, 50; 362/157, 158, 183, 196,
362/195, 194, 203-207; D8/82, 83; D7/649,
D7/345

See application file for complete search history.

(56) **References Cited**

U.S. PATENT DOCUMENTS

D507,365 S * 7/2005 Chen D26/37
D509,008 S * 8/2005 Shiu D26/37
D527,476 S * 8/2006 Craft D26/37

D544,621 S * 6/2007 Kim D26/37
2005/0225969 A1 * 10/2005 Chen 362/157
2007/0081327 A1 * 4/2007 Chang 362/157

* cited by examiner

Primary Examiner—Ian Simmons

Assistant Examiner—Carissa C Fitts

(74) *Attorney, Agent, or Firm*—Alix, Yale & Ristas, LLP

(57) **CLAIM**

The ornamental design for a flashlight, as shown and described.

DESCRIPTION

FIG. 1 is a front perspective view of a flashlight showing my new design;

FIG. 2 is a front elevational view thereof, the rear elevational view being identical thereof;

FIG. 3 is a left side elevational view thereof, the right side elevational view being identical thereof;

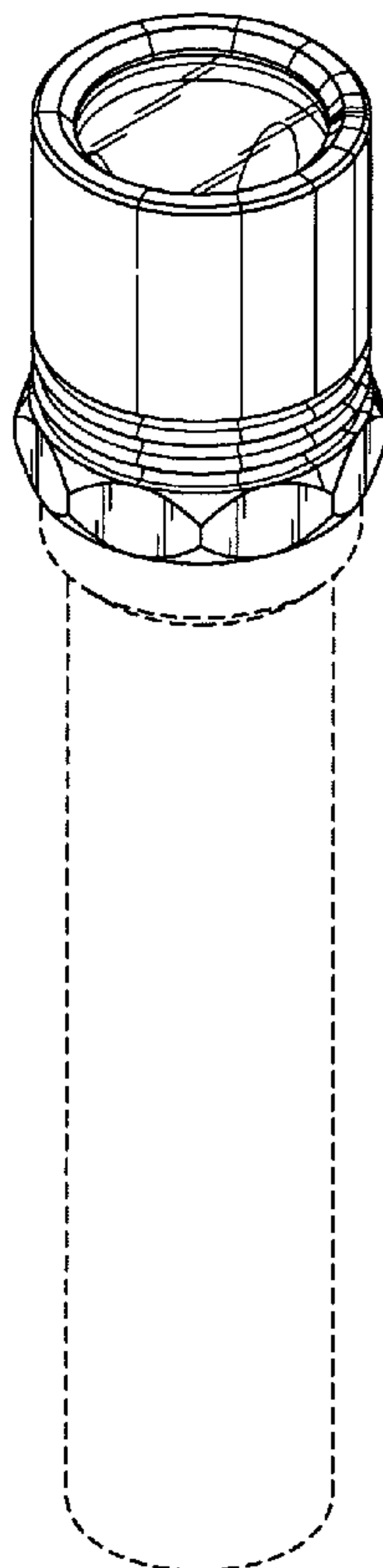
FIG. 4 is a top end view thereof;

FIG. 5 is a bottom end view thereof;

FIG. 6 is an exploded front perspective view thereof; and,

FIG. 7 is an additional perspective view thereof.

1 Claim, 4 Drawing Sheets



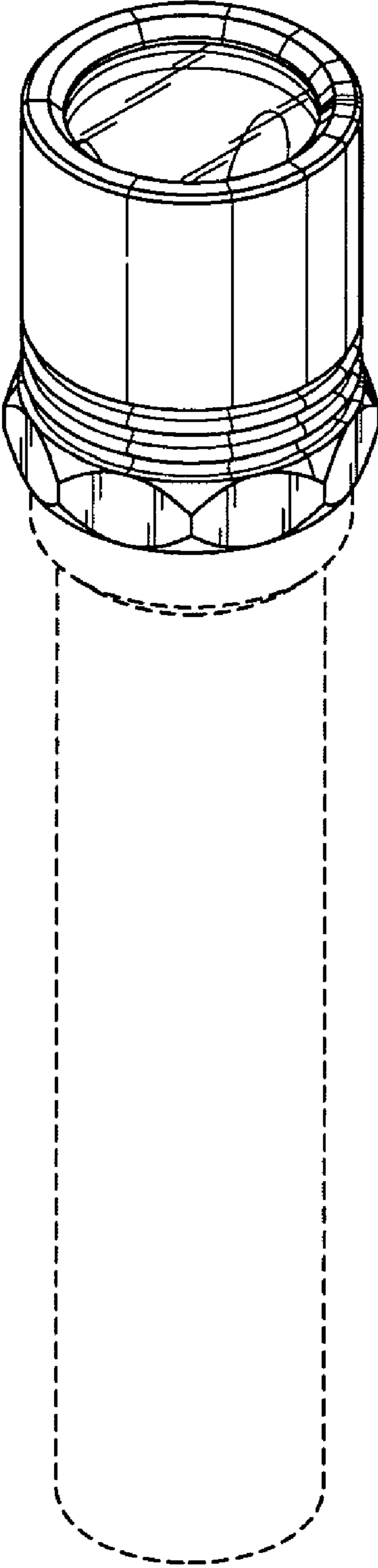


FIG. 1

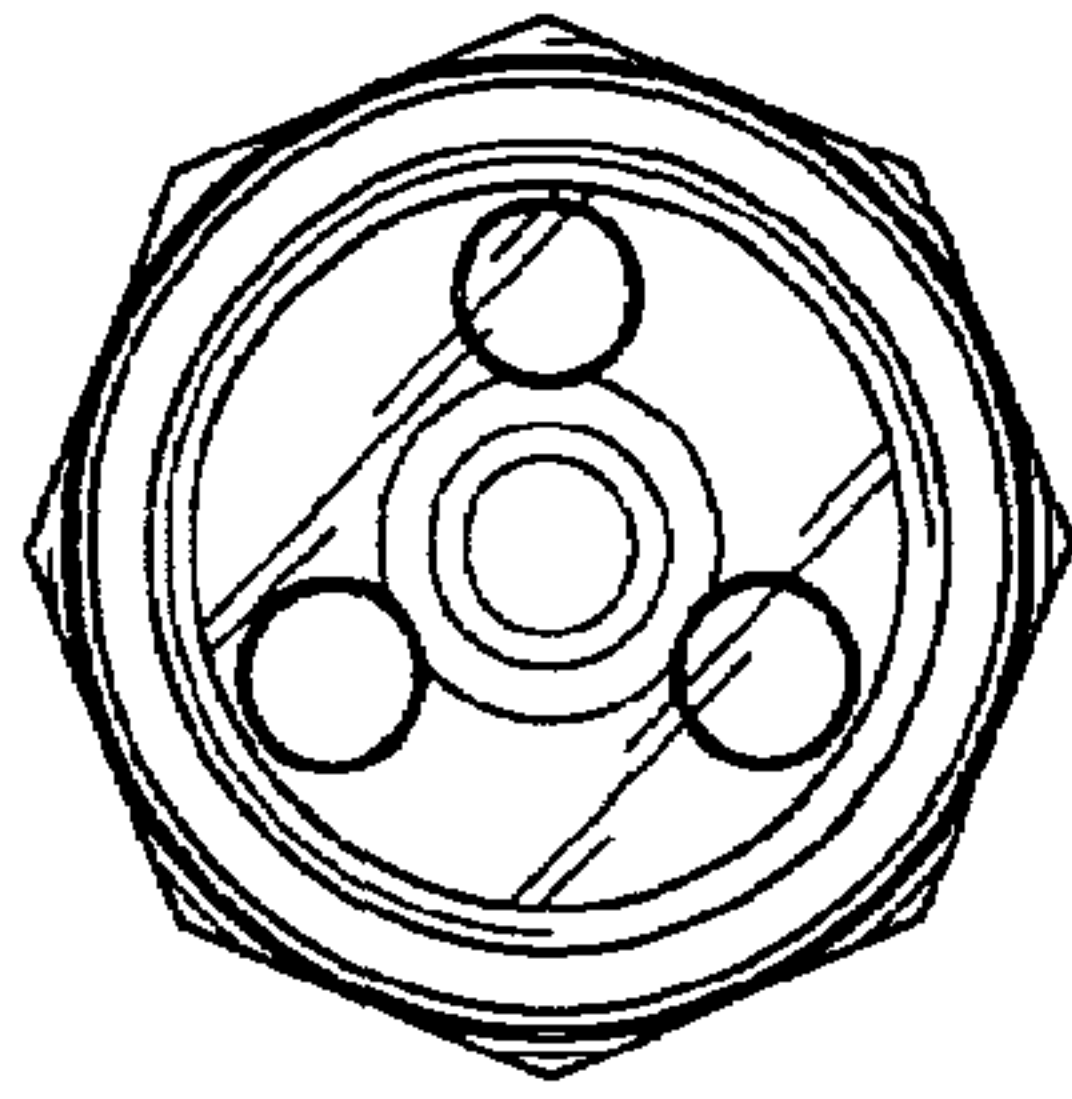


FIG. 4

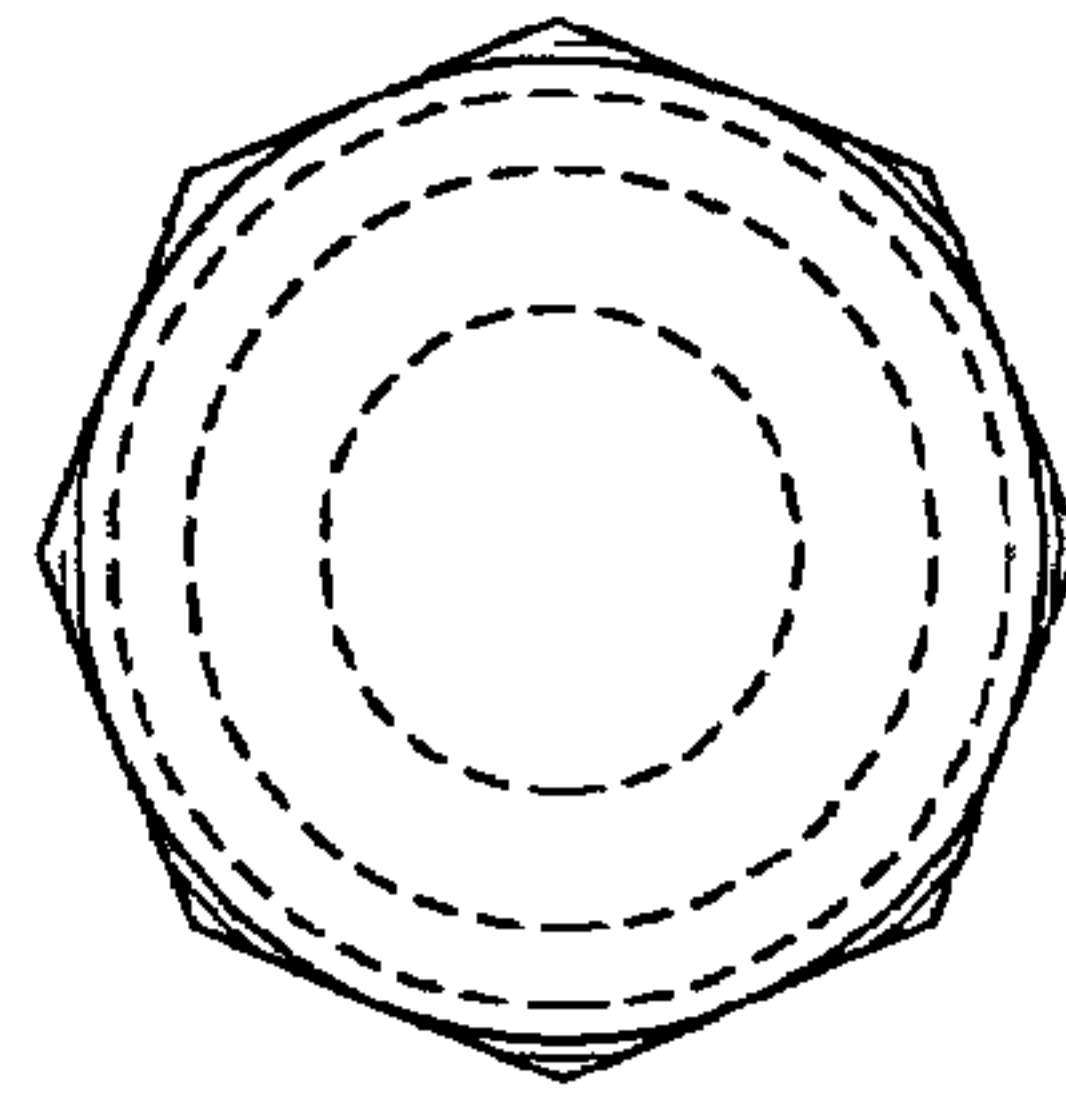


FIG. 5

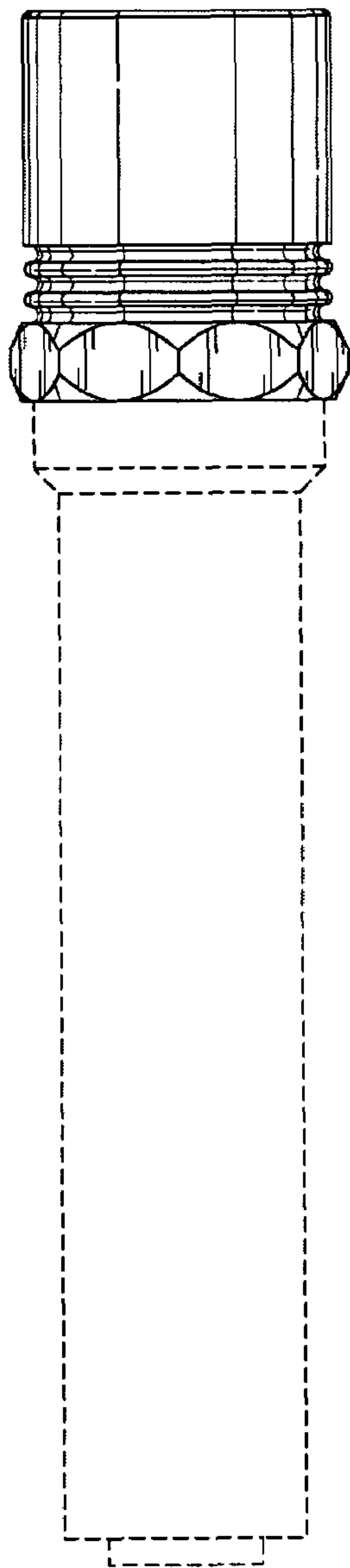


FIG. 2

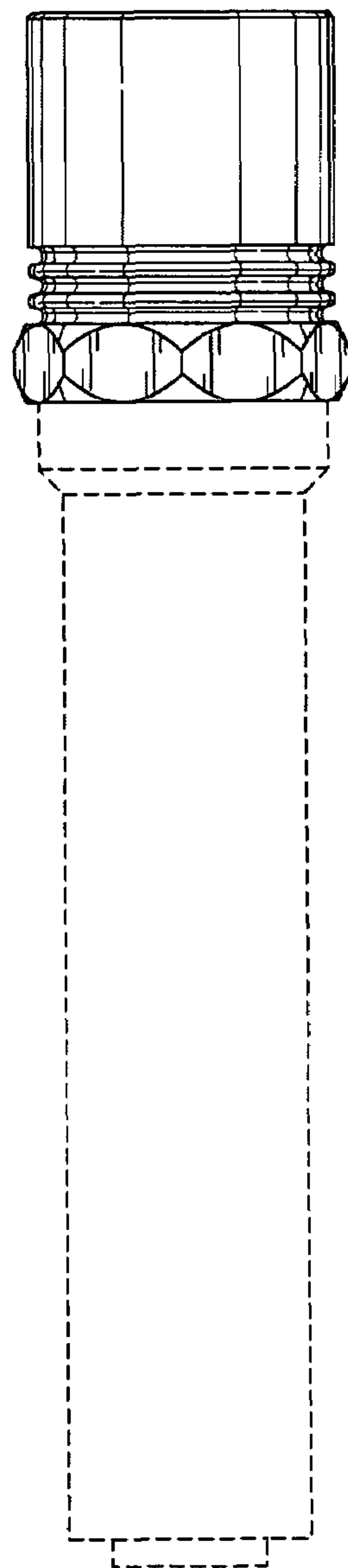


FIG. 3

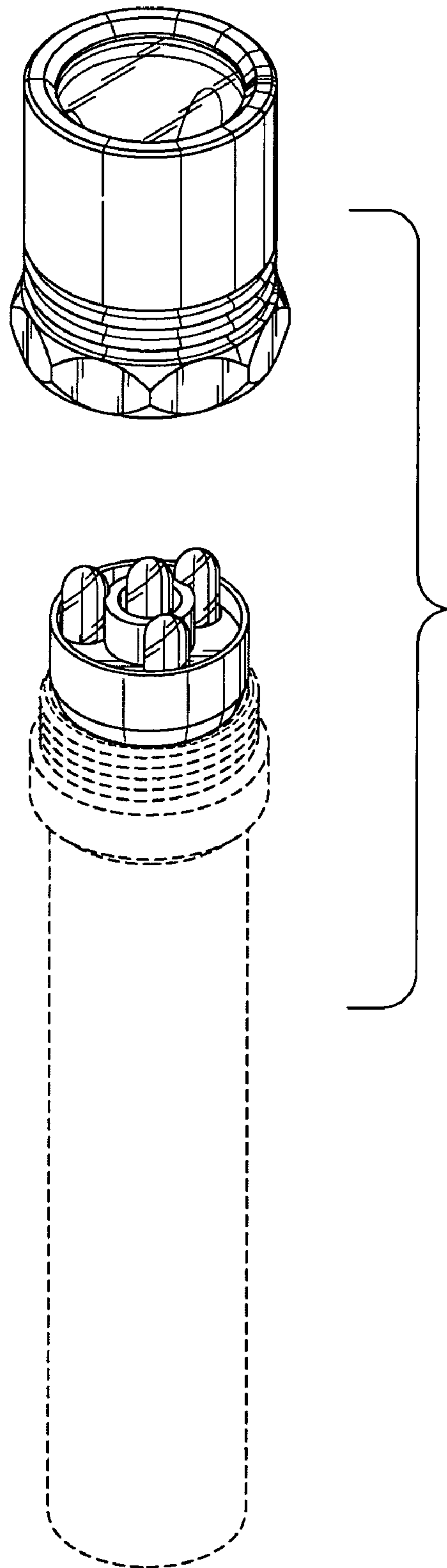


FIG. 6

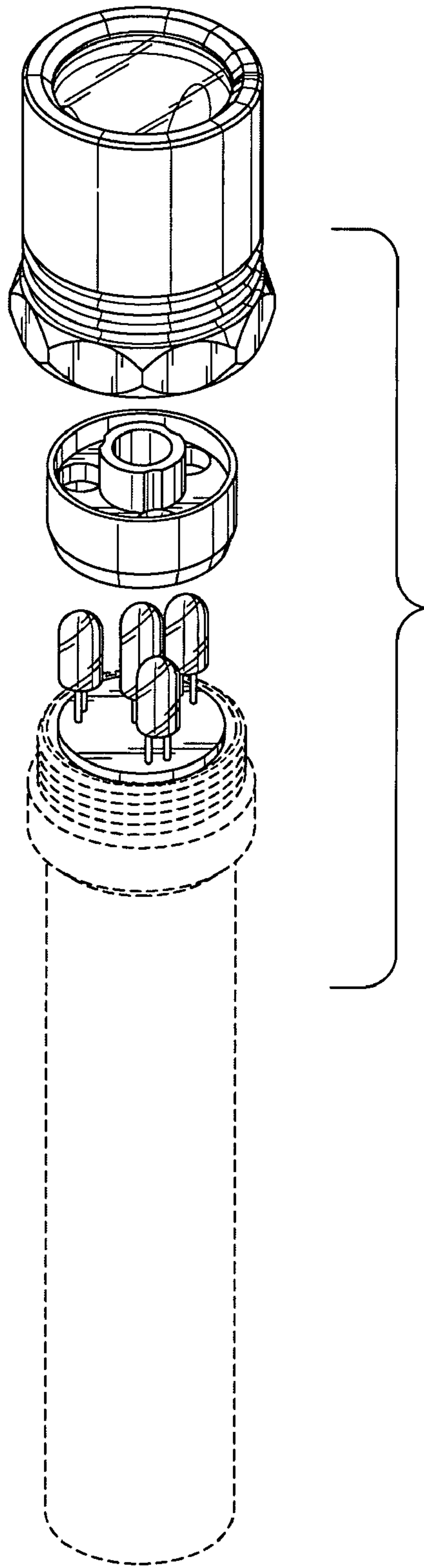


FIG. 7