



US00D574978S

(12) **United States Design Patent**
Hyodo et al.

(10) **Patent No.:** **US D574,978 S**

(45) **Date of Patent:** **** Aug. 12, 2008**

(54) **LAMP FOR A VEHICLE**

(75) Inventors: **Haruo Hyodo**, Kawasaki (JP); **Yukari Ishiwatari**, Fukaya (JP)

(73) Assignee: **PIAA Corporation**, Tokyo (JP)

(**) Term: **14 Years**

(21) Appl. No.: **29/292,716**

(22) Filed: **Oct. 25, 2007**

(30) **Foreign Application Priority Data**

Jun. 1, 2007 (JP) 2007-014643

(51) **LOC (8) Cl.** **26-06**

(52) **U.S. Cl.** **D26/28**

(58) **Field of Classification Search** D26/28-36;
362/459-468, 475-478, 485-487
See application file for complete search history.

(56) **References Cited**

U.S. PATENT DOCUMENTS

D490,172 S * 5/2004 Yamamoto D26/28

D532,537 S * 11/2006 Shiu D26/39

D564,683 S * 3/2008 Roach et al. D26/28

* cited by examiner

Primary Examiner—Marcus A. Jackson

(74) *Attorney, Agent, or Firm*—Olson & Cepuritis, Ltd.

(57) **CLAIM**

The ornamental design for a lamp for a vehicle, as shown and described.

DESCRIPTION

FIG. 1 is a perspective view of a lamp for a vehicle;

FIG. 2 is a front view thereof;

FIG. 3 is a right side view thereof, a left side view being a mirror image of a right side view;

FIG. 4 is a top plan view thereof;

FIG. 5 is a bottom plan view thereof; and,

FIG. 6 is a sectional view showing the cut surface thereof taken along line 6—6.

The broken lines showing on the drawing disclosure are for illustrative purposes only and form no part of the claimed design.

1 Claim, 3 Drawing Sheets

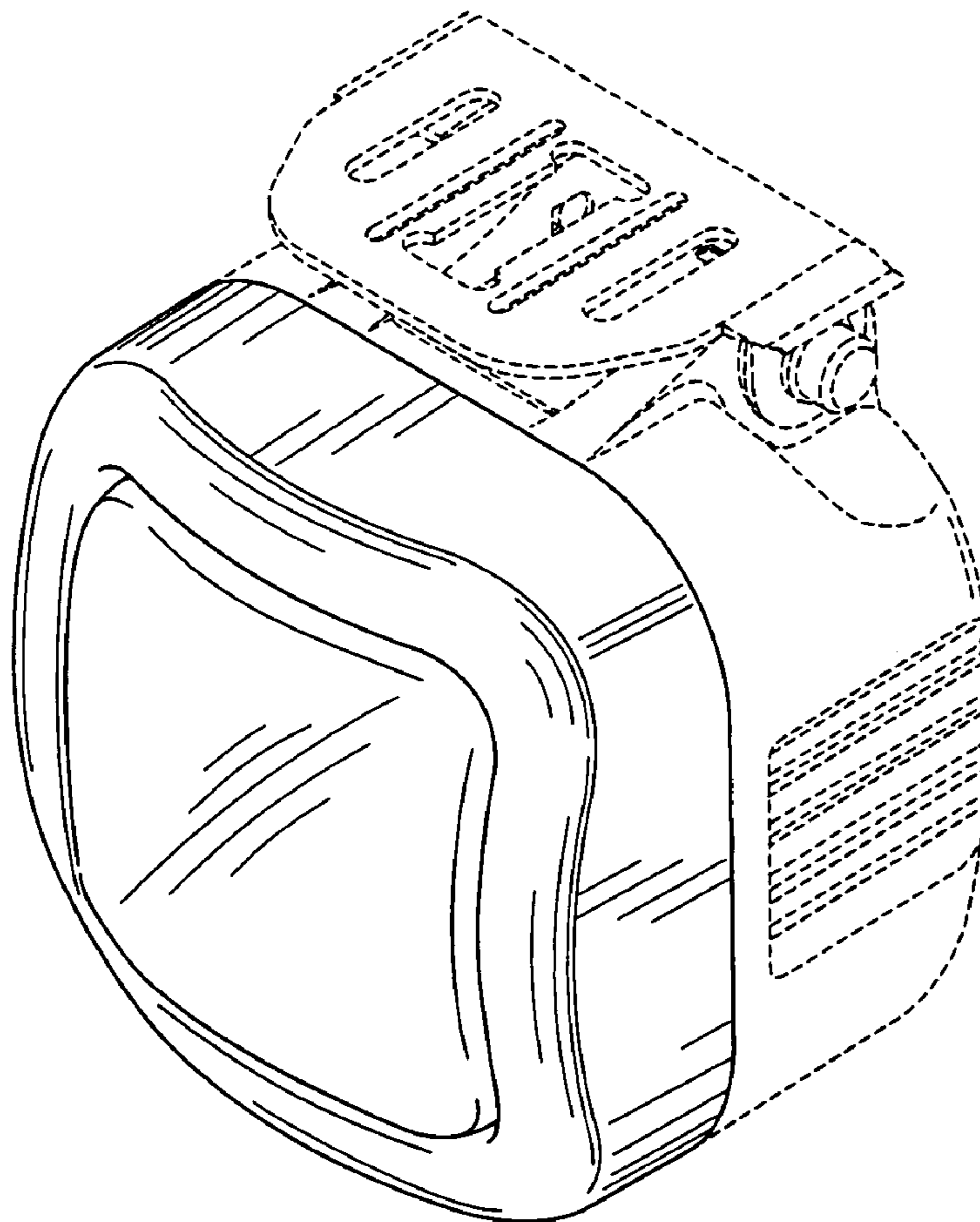


Fig.1

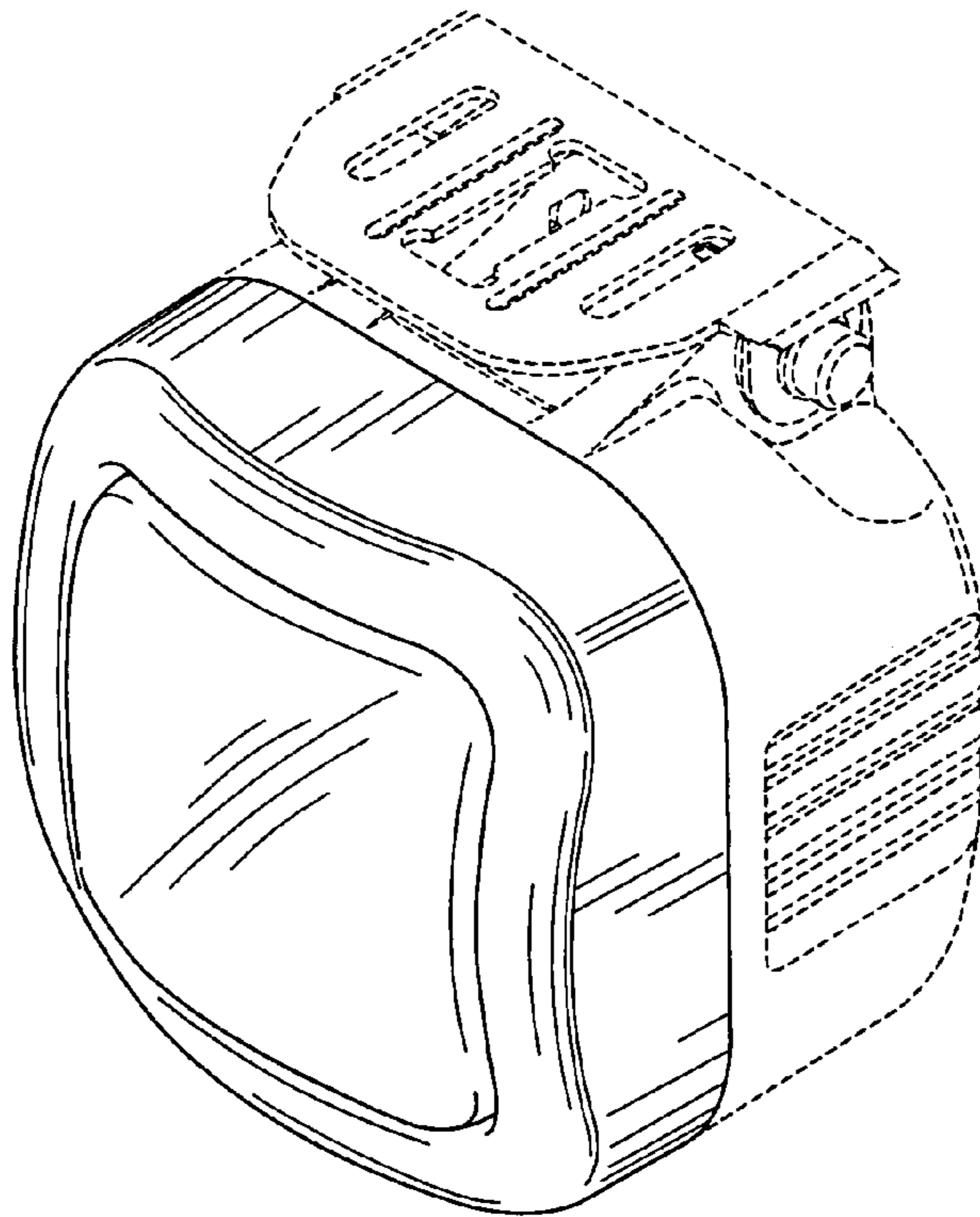


Fig.2

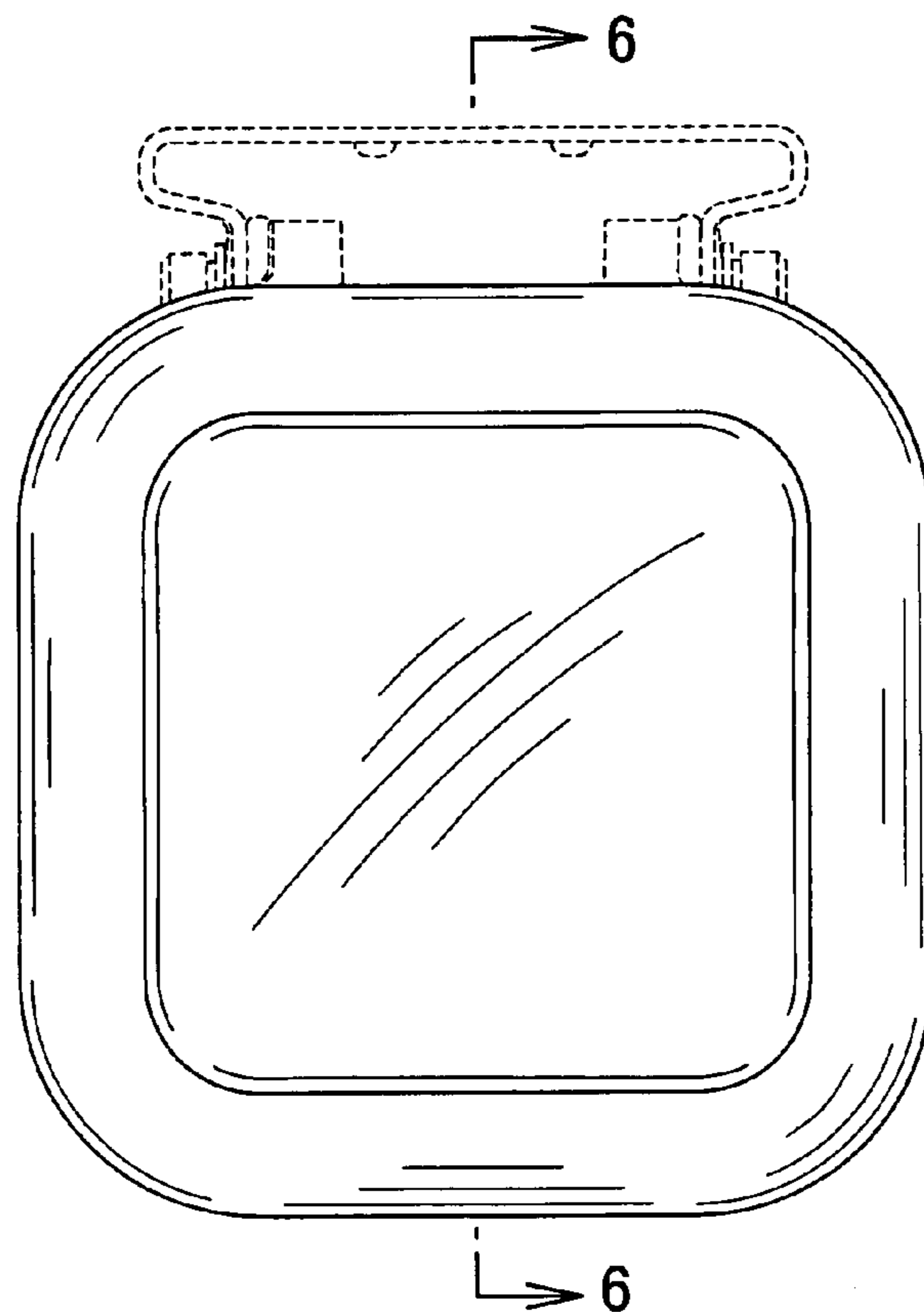


Fig.3

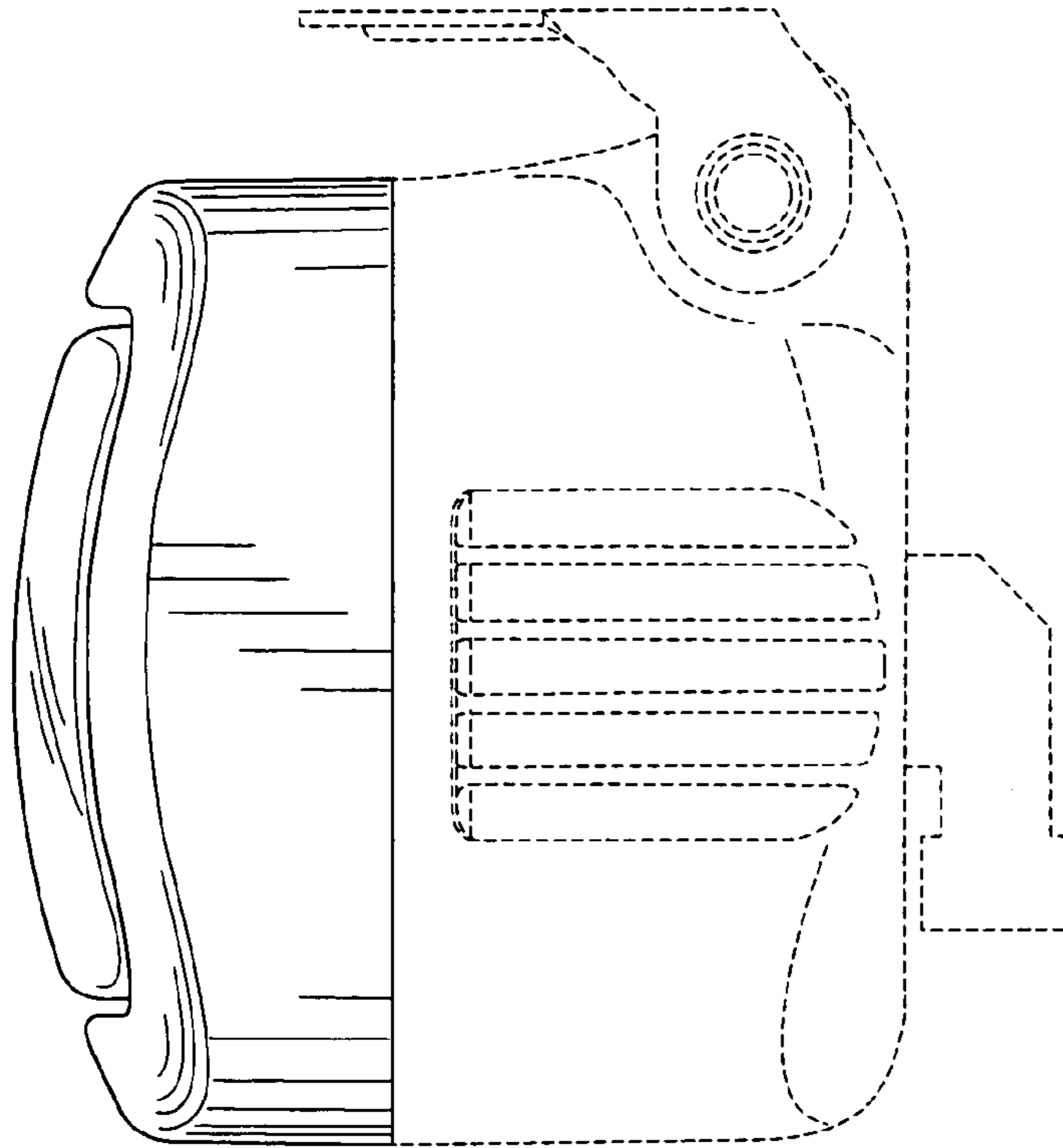


Fig.4

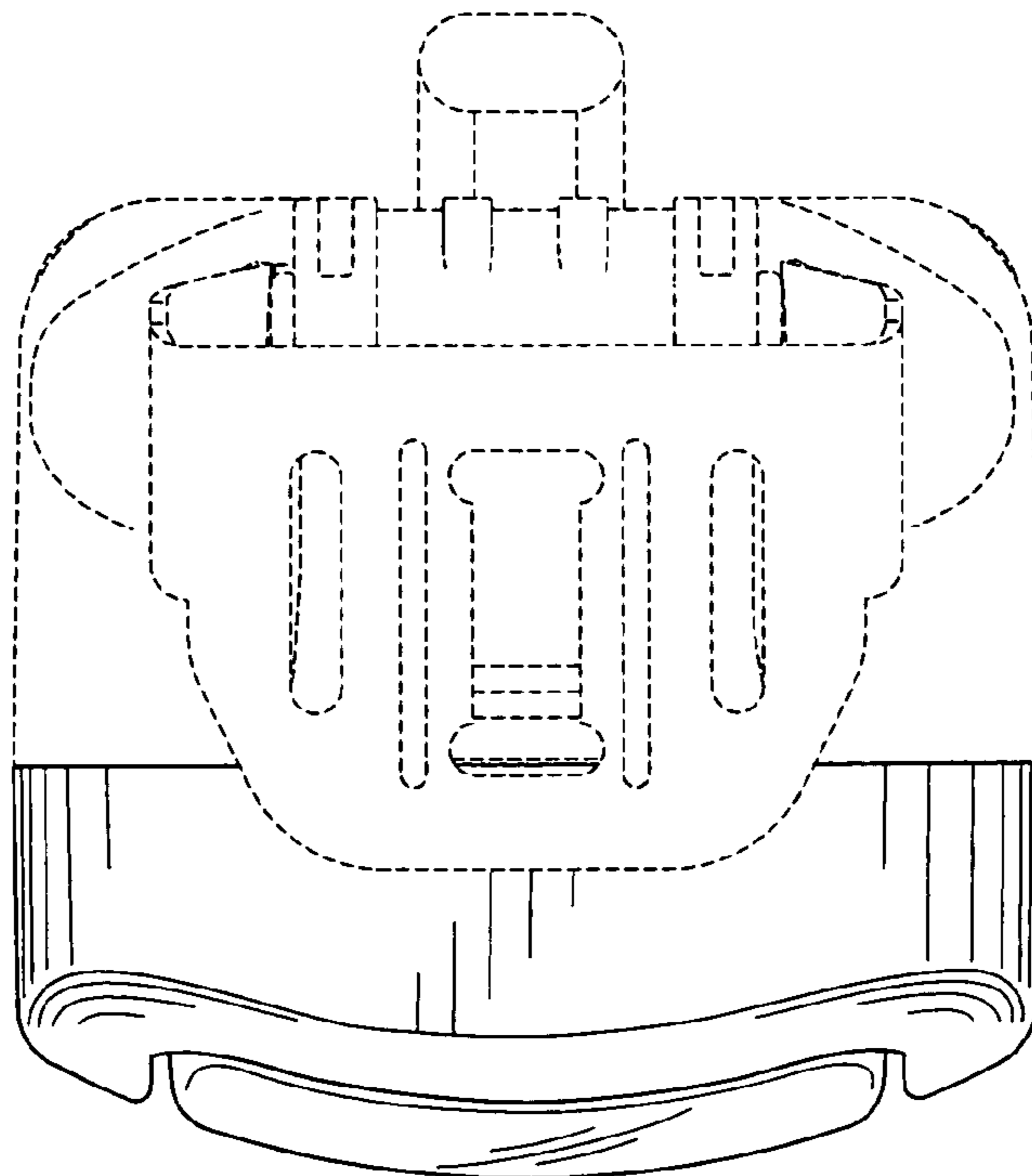


Fig.5

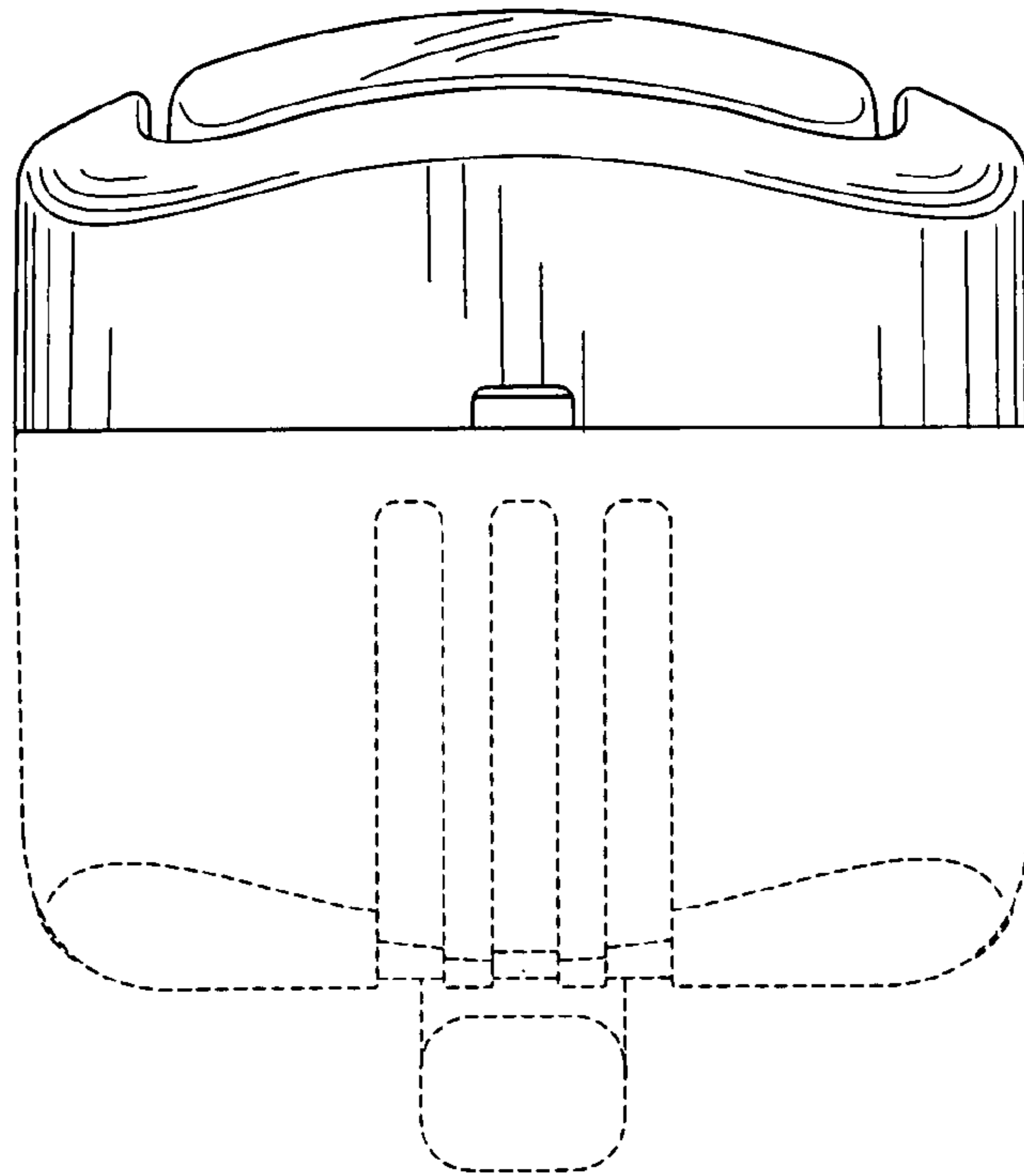


Fig.6

