

US00D574976S

(12) **United States Design Patent**
Adams et al.

(10) **Patent No.:** **US D574,976 S**
(45) **Date of Patent:** **** Aug. 12, 2008**

(54) **DECORATIVE CANDLEHOLDER**
(75) Inventors: **Mary Beth Adams**, Antioch, IL (US);
Jesse D. Cotterman, West Bend, WI (US);
Paul E. Furner, Racine, WI (US);
Chris A. Kubicek, East Troy, WI (US);
Romuald Marie, Paris (FR)
(73) Assignee: **S.C. Johnson & Son, Inc.**, Racine, WI (US)

3,994,502 A 11/1976 Lombardi
4,102,634 A 7/1978 Crisp
D257,641 S 12/1980 Taylor
4,524,408 A 6/1985 Minera
4,755,135 A 7/1988 Kwok
5,069,617 A 12/1991 Lin
D325,077 S 3/1992 Kearnes
5,174,645 A 12/1992 Chung
D362,179 S 9/1995 Kaplan

(Continued)

(**) Term: **14 Years**

FOREIGN PATENT DOCUMENTS

(21) Appl. No.: **29/262,825**

WO WO 2004/083718 9/2004

(22) Filed: **Jul. 12, 2006**

OTHER PUBLICATIONS

Related U.S. Application Data

Musical Candle Company; printed Nov. 14, 2006 (7 pages); http://www.musicalcandlecompany.com/default.asp?p=Category&category_id=103.

(63) Continuation-in-part of application No. 29/242,572, filed on Nov. 10, 2005, which is a continuation-in-part of application No. 29/234,510, filed on Jul. 19, 2005, which is a continuation-in-part of application No. 11/123,461, filed on May 6, 2005, and a continuation-in-part of application No. 11/123,809, filed on May 6, 2005, now Pat. No. 7,287,978.

Primary Examiner—Robert M. Spear
Assistant Examiner—Ania K Dworzecka

(51) **LOC (8) Cl.** **26-01**
(52) **U.S. Cl.** **D26/9**
(58) **Field of Classification Search** D26/6-23;
431/288, 125, 126, 292, 289; D11/131, 131.1,
D11/157; D7/585; D6/300, 470; D8/353;
D25/55

(57) **CLAIM**

See application file for complete search history.

The ornamental design for a decorative candleholder, as shown and described.

(56) **References Cited**

DESCRIPTION

U.S. PATENT DOCUMENTS

D1,567 S * 4/1862 Cores D6/470
D3,074 S * 6/1868 Howells D6/470
2,023,260 A * 12/1935 Beers et al. 312/114
D175,585 S * 9/1955 Carlstead D26/10
D181,755 S * 12/1957 Spertus D6/300
3,884,383 A 5/1975 Burch et al.
3,890,085 A 6/1975 Andeweg

FIG. 1 is an isometric view of a decorative candleholder according to the present invention;

FIG. 2 is a front elevational view of the decorative candleholder of FIG. 1;

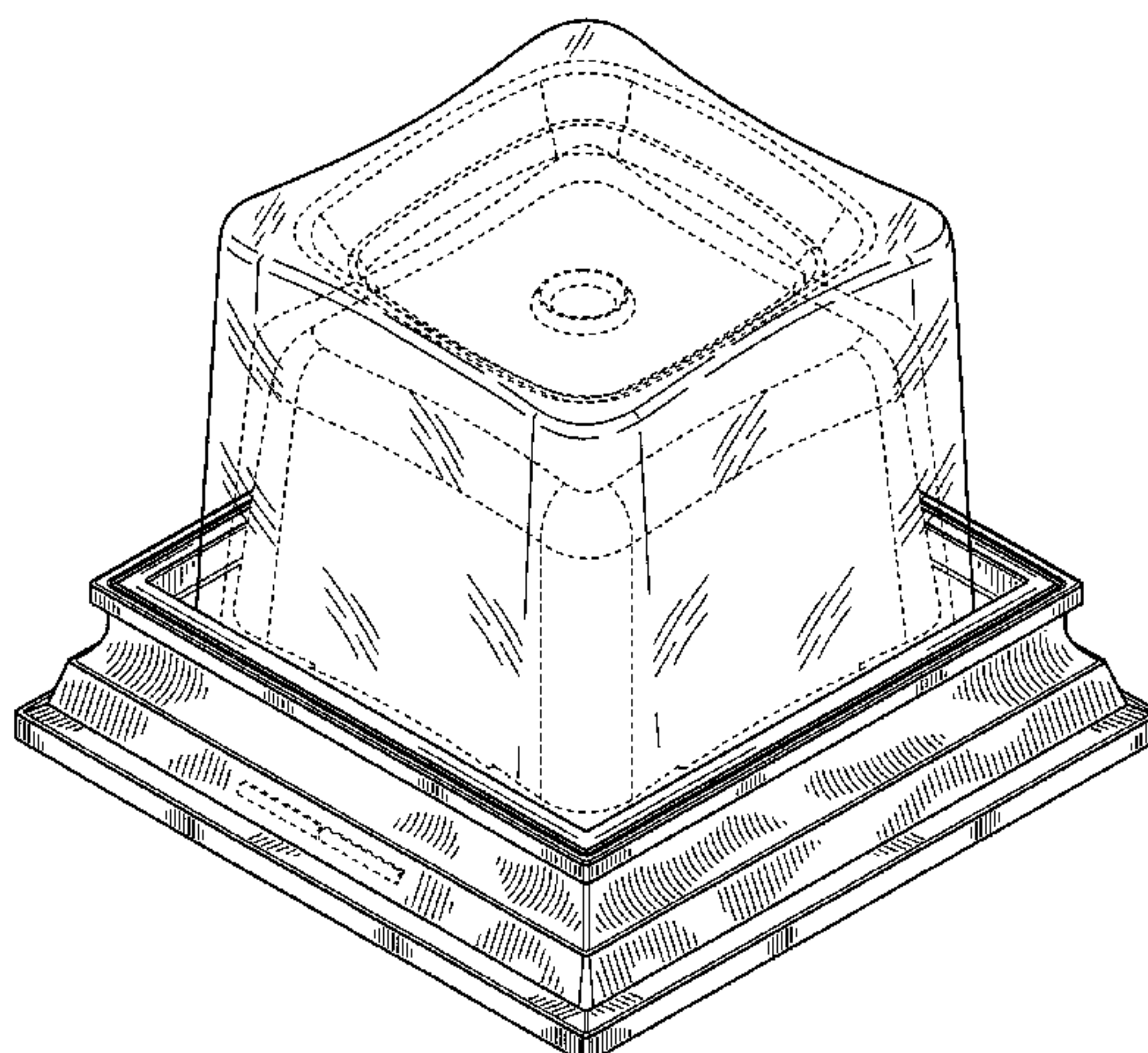
FIG. 3 is a right elevational view of the decorative candleholder of FIG. 1, the opposing left elevational view being a mirror image thereof;

FIG. 4 is a rear elevational view of the decorative candleholder of FIG. 1; and,

FIG. 5 is a top plan view of the decorative candleholder of FIG. 1.

Structure shown in phantom forms no part of the claimed design.

1 Claim, 5 Drawing Sheets



US D574,976 S

Page 2

U.S. PATENT DOCUMENTS

D372,797 S *	8/1996	Ilaria et al. D6/300	D484,365 S	12/2003	Wyche
D393,910 S	4/1998	Chambers et al.	6,695,611 B2	2/2004	Lee
5,791,774 A	8/1998	Brilles	6,719,443 B2	4/2004	Gutstein et al.
5,807,096 A	9/1998	Shin et al.	6,733,279 B2	5/2004	Thigpen et al.
5,921,767 A	7/1999	Song	D495,438 S	8/2004	Barbera et al.
6,033,209 A	3/2000	Shin et al.	6,802,707 B2	10/2004	Furner et al.
6,050,812 A	4/2000	Chuang	6,960,076 B2	11/2005	Yu
6,152,728 A	11/2000	Griffel	D519,216 S *	4/2006	Sandor D25/103
D443,081 S	5/2001	Klett et al.	2002/0119413 A1	8/2002	Cheng
6,241,362 B1	6/2001	Morrison	2005/0208447 A1	9/2005	Kubicek et al.
6,371,756 B1	4/2002	Toohey	2005/0271994 A1	12/2005	Furner
6,439,471 B2	8/2002	Erhlich et al.	2006/0002102 A1	1/2006	Leonard
D469,893 S	2/2003	Shen	2006/0120080 A1	6/2006	Sipinski et al.
D474,854 S	5/2003	Lam	2007/0020572 A1 *	1/2007	Furner et al. 431/289
6,575,613 B2	6/2003	Brown et al.	2007/0020573 A1 *	1/2007	Furner et al. 431/289

* cited by examiner

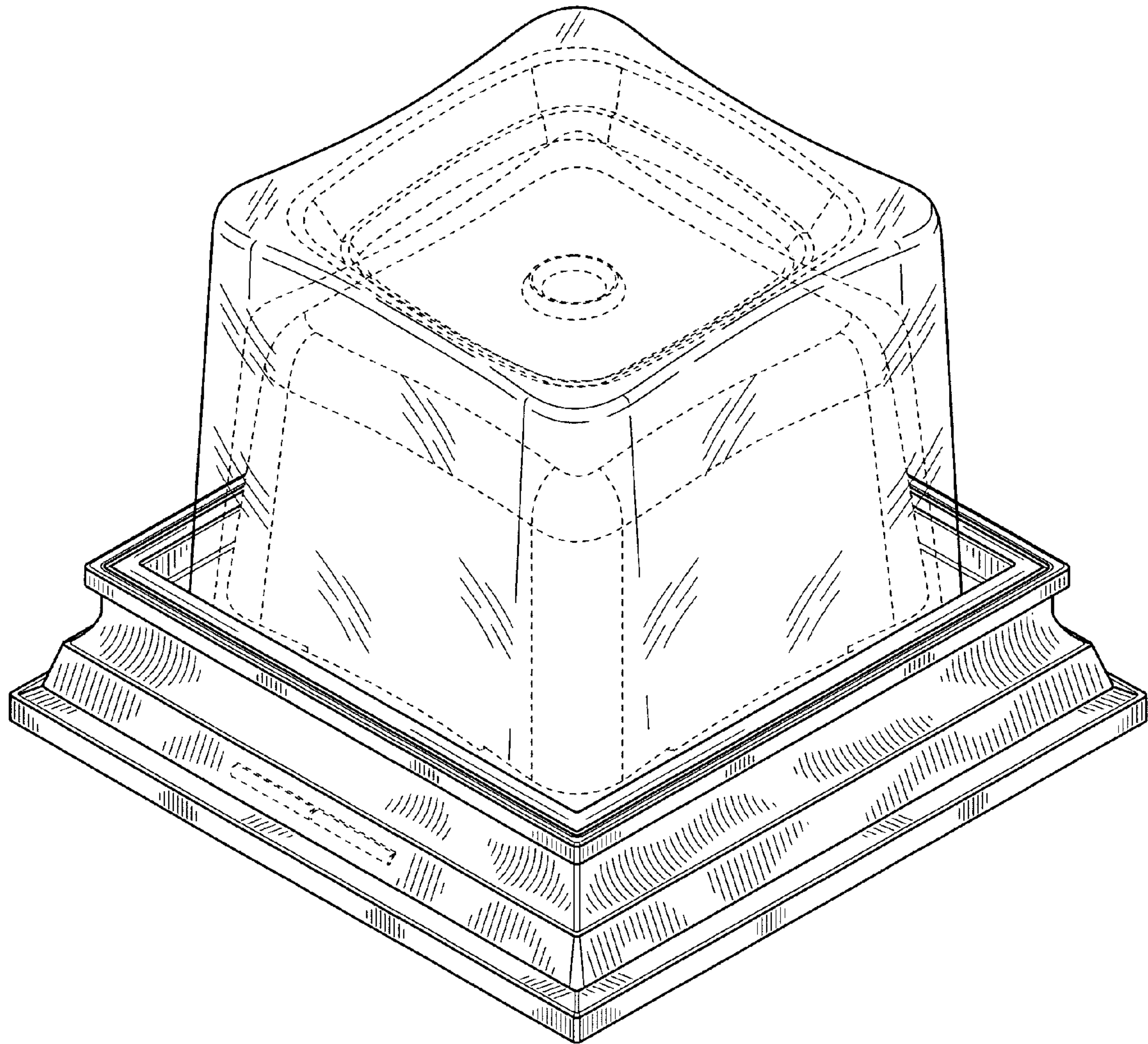


FIG. 1

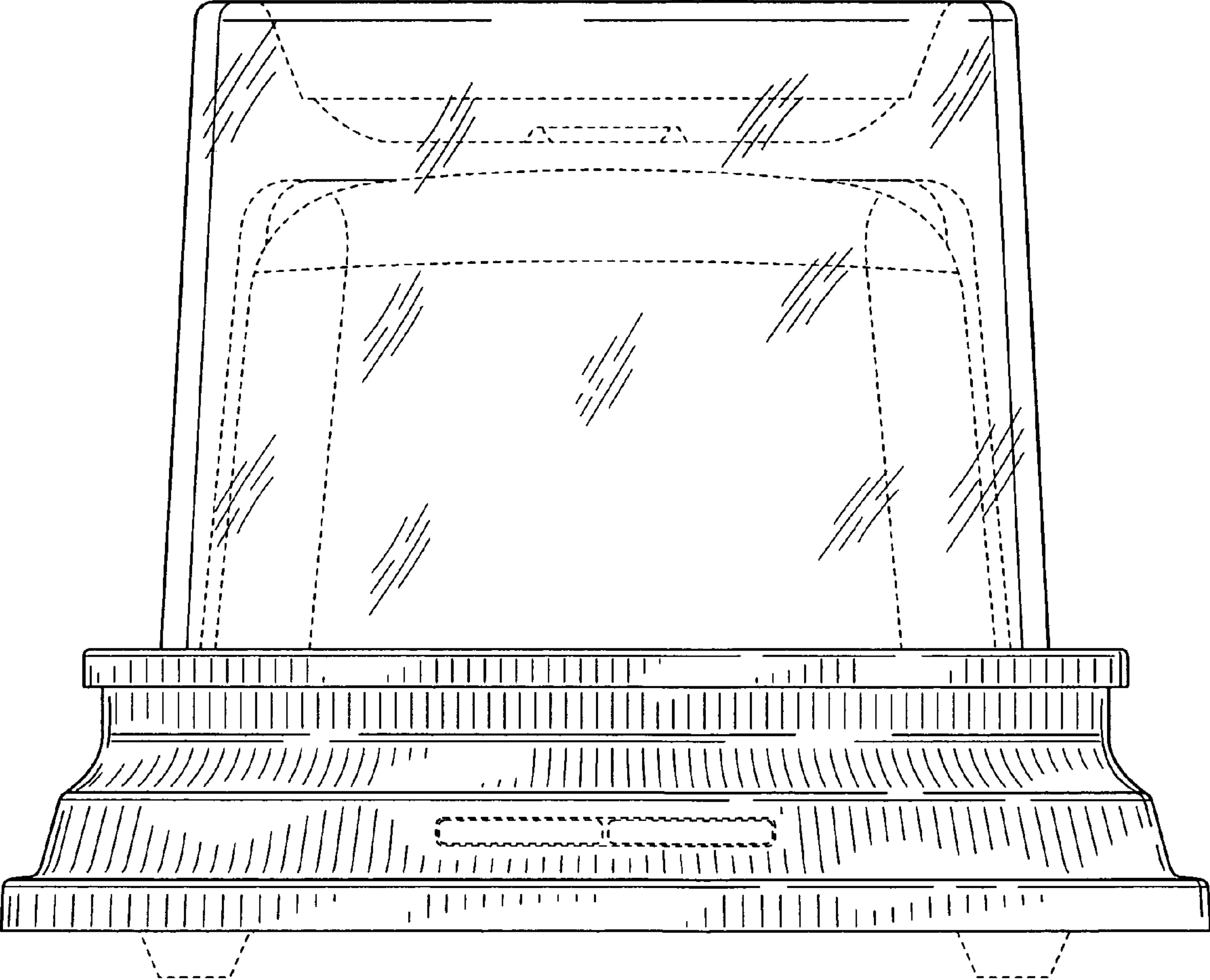


FIG. 2

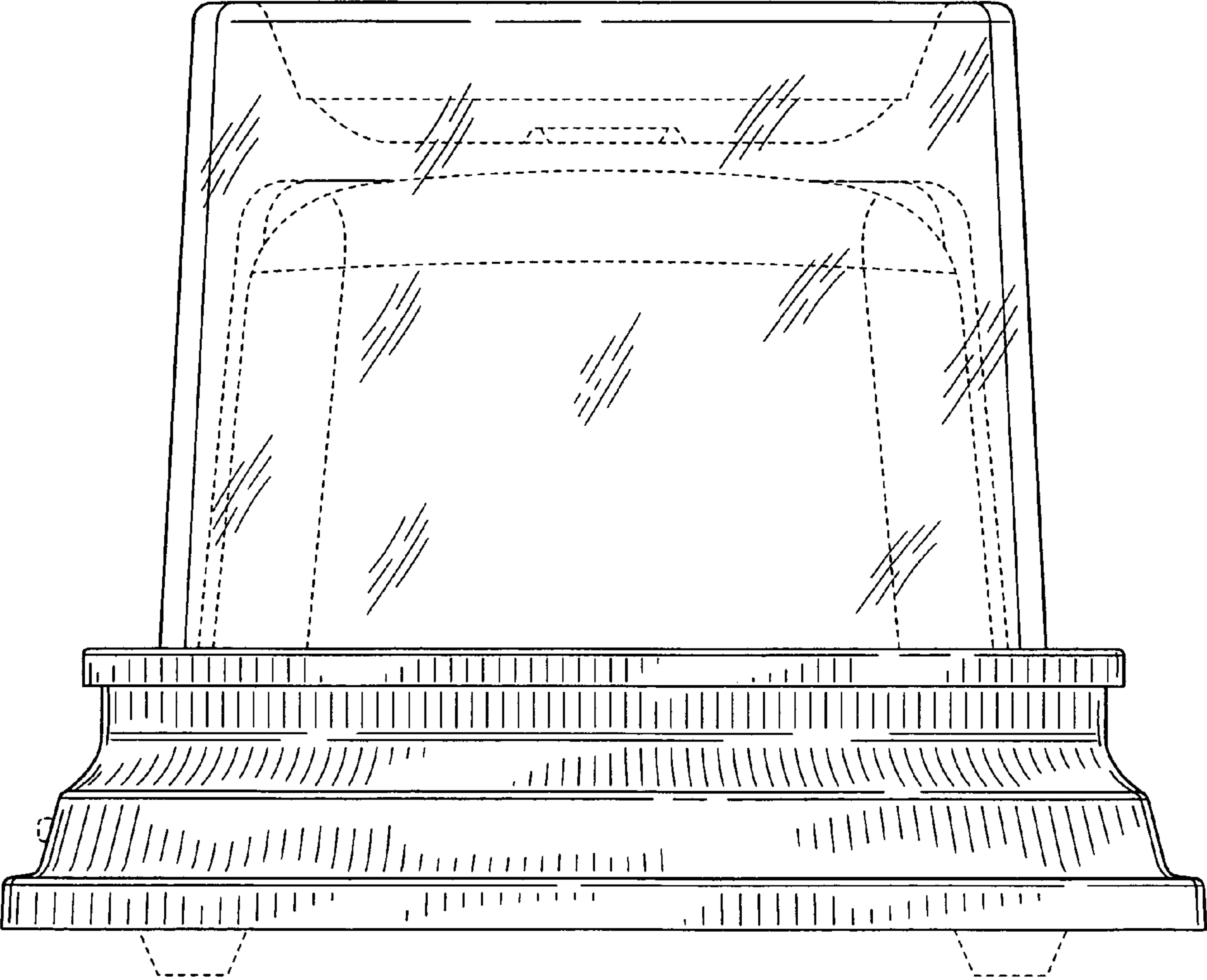


FIG. 3

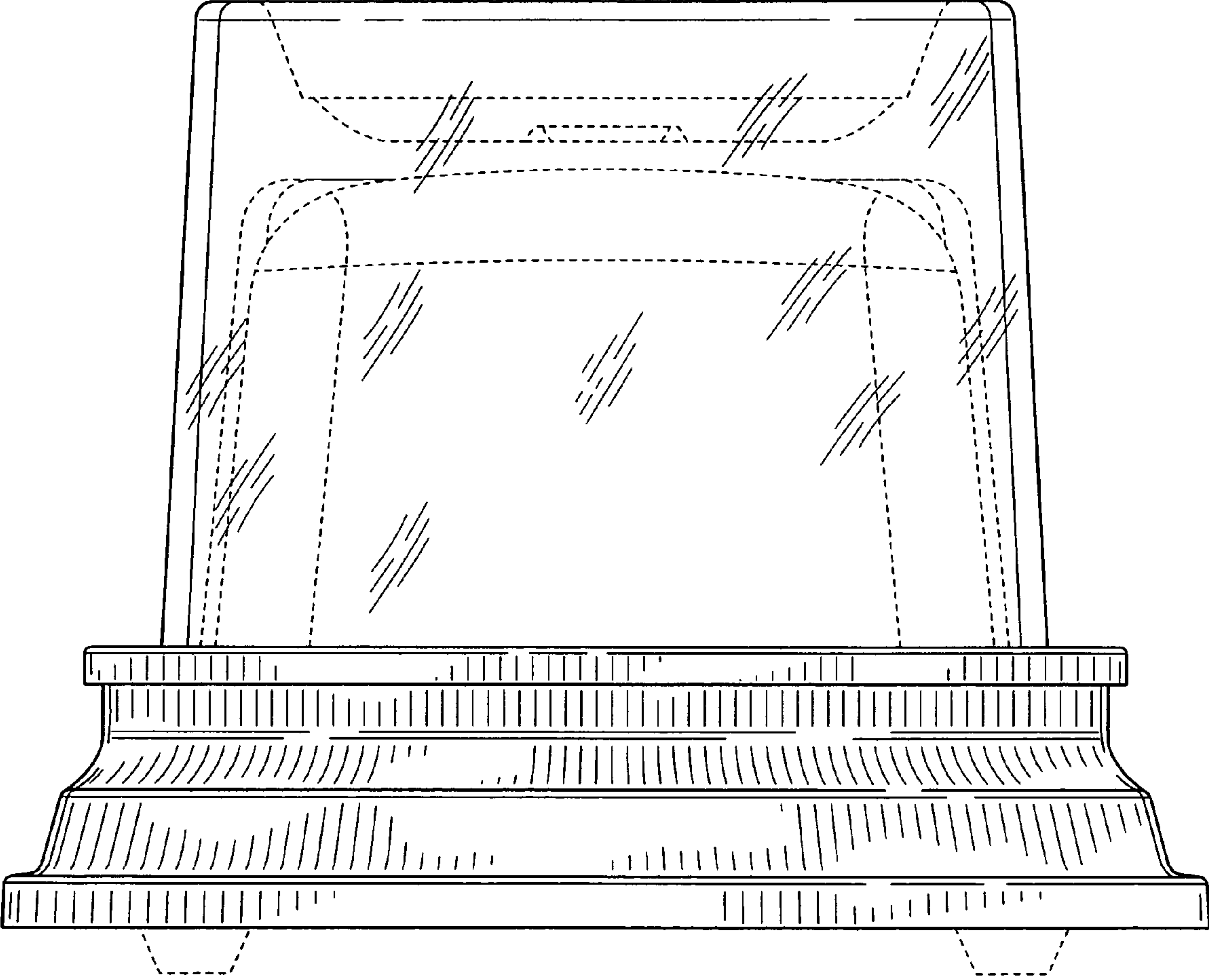


FIG. 4

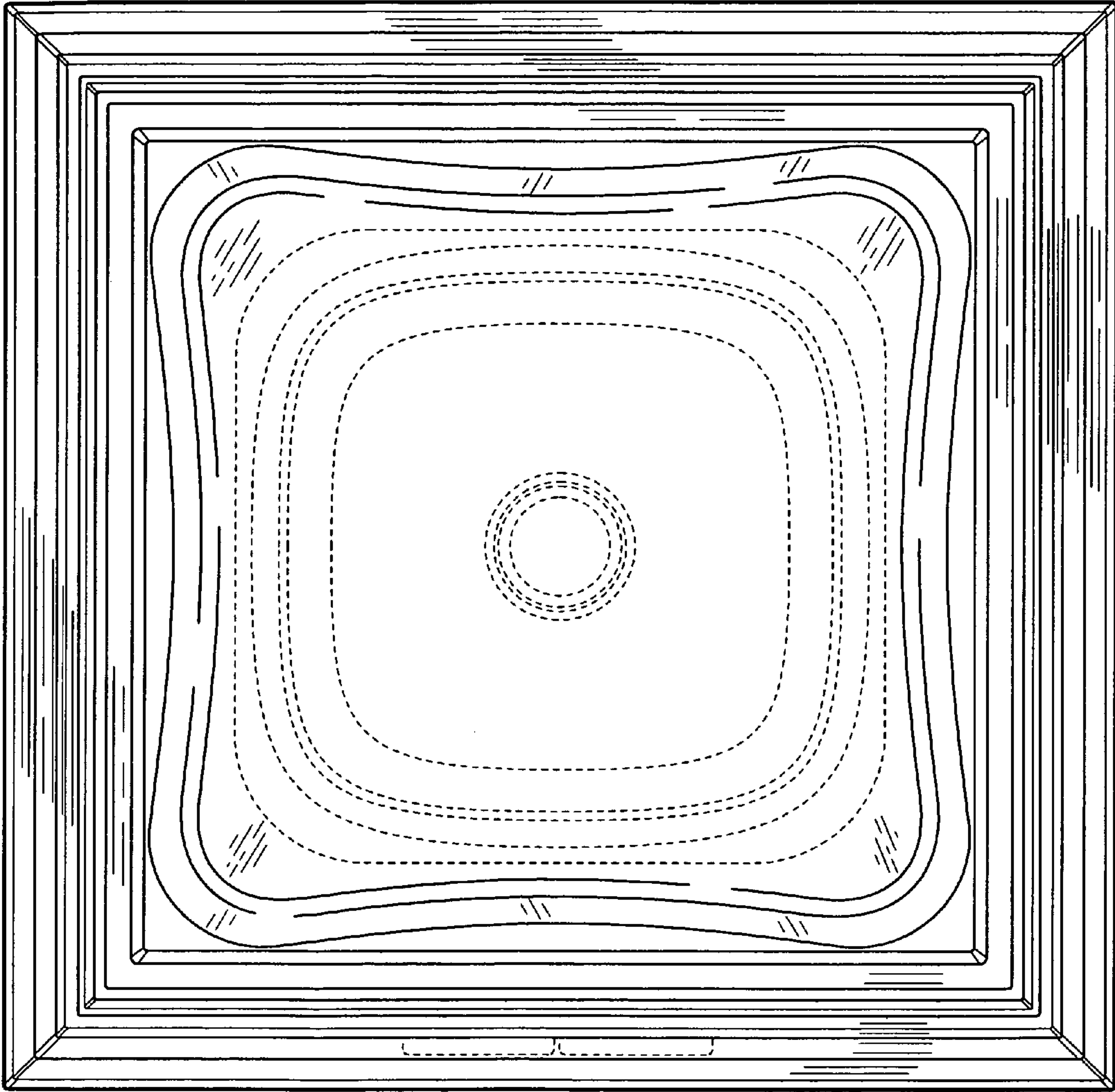


FIG. 5