



US00D574973S

(12) **United States Design Patent**
Simmons

(10) **Patent No.:** **US D574,973 S**

(45) **Date of Patent:** **** *Aug. 12, 2008**

(54) **ROOF TILE HAVING SIMULATED TWO-PIECE APPEARANCE**

FOREIGN PATENT DOCUMENTS

GB 2200930 8/1988

(75) Inventor: **Troy Stanley Simmons**, Laguna Niguel, CA (US)

OTHER PUBLICATIONS

(73) Assignees: **Monier, Inc.**, Irvine, CA (US); **Boral Lifetile, Inc.**, Roswell, GA (US)

U.S. Appl. No. 10/347,663, filed Jan. 21, 2003, Simmons.
U.S. Appl. No. 10/656,893, filed Sep. 4, 2003, Simmons.
U.S. Appl. No. 29/193,168, filed Nov. 4, 2003, Simmons.
U.S. Appl. No. 29/193,169, filed Nov. 4, 2003, Simmons.

(*) Notice: This patent is subject to a terminal disclaimer.

Primary Examiner—Catherine R Oliver
(74) *Attorney, Agent, or Firm*—Alston & Bird LLP

(**) Term: **14 Years**

(57) **CLAIM**

(21) Appl. No.: **29/193,169**

The ornamental design is for roof tile having simulated two-piece appearance, as shown and described.

(22) Filed: **Nov. 4, 2003**

Related U.S. Application Data

DESCRIPTION

(63) Continuation of application No. 10/656,893, filed on Sep. 4, 2003, now Pat. No. 7,320,774, which is a continuation-in-part of application No. 10/347,663, filed on Jan. 21, 2003, now abandoned.

FIG. 1 is a pictorial view of a first embodiment of the present invention showing the lower end of the tile in the front right foreground and generally facing the viewer;

(51) **LOC (8) Cl.** **25-01**

(52) **U.S. Cl.** **D25/140**

(58) **Field of Classification Search** D25/140–141; 52/554–555, 518–519, 542, 537, 560
See application file for complete search history.

FIG. 2 is a lower end elevational view;

FIG. 3 is an upper end elevational view;

FIG. 4 is a left side elevational view;

FIG. 5 is a right side elevational view;

FIG. 6 is a top plan view, with the upper end of the tile being to the viewer's right;

(56) **References Cited**

U.S. PATENT DOCUMENTS

1,619,490	A	3/1927	Schwarz	425/219
1,993,086	A	3/1935	Chaffee	52/542
2,120,742	A	6/1938	Grundy	52/98
3,349,534	A	10/1967	Wotherspoon	52/520
D218,540	S *	8/1970	Powel	D25/140
4,040,211	A	8/1977	Wotherspoon	52/100

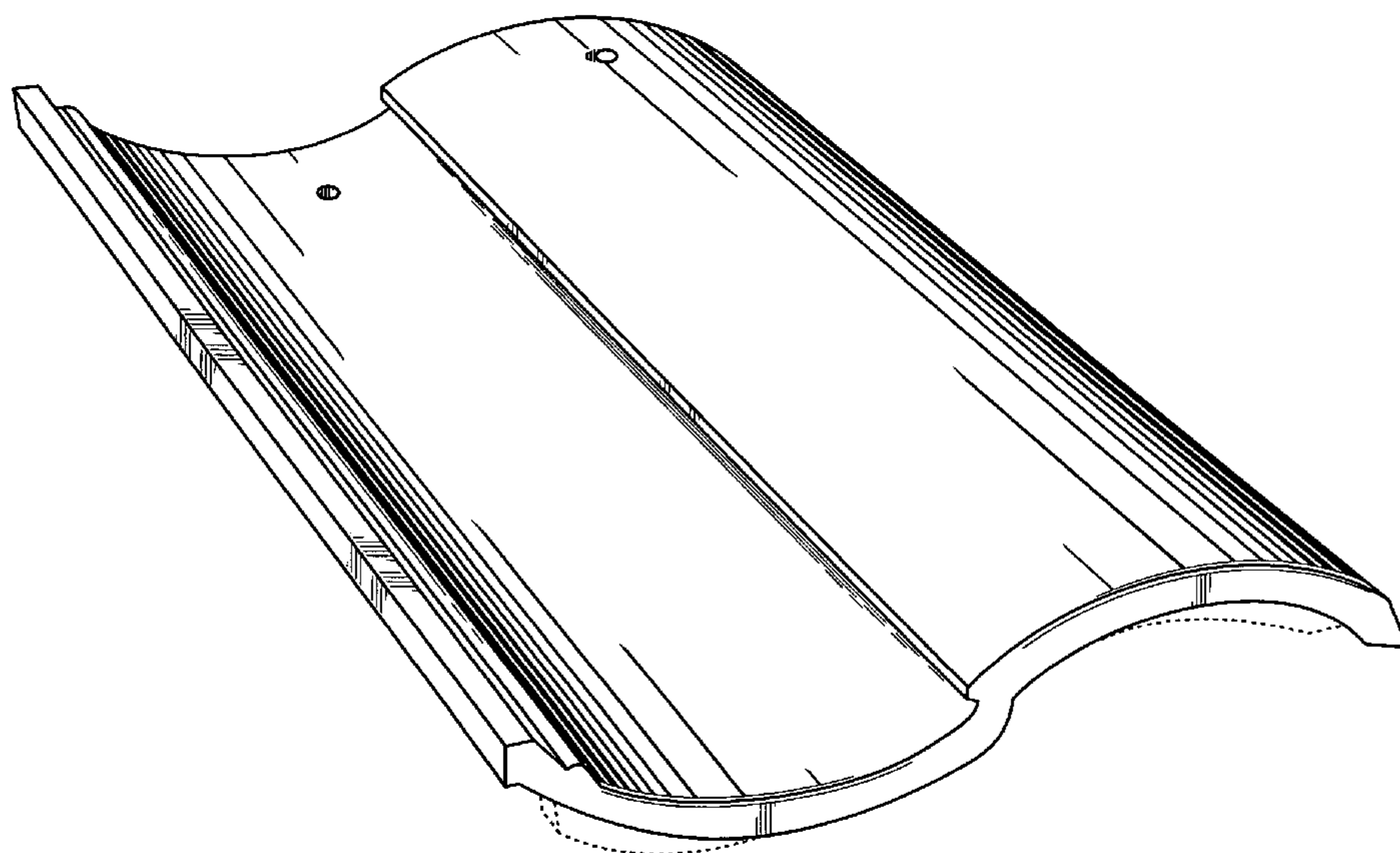
FIG. 7 is a bottom plan view; with structural elements not claimed and shown in dotted line for purposes of showing environment;

FIG. 8 is a pictorial view of a second embodiment of the invention including a shaded portion accenting the visual impression of two tiles; and,

FIG. 9 is a top plan view of the embodiment of FIG. 8, with the upper end of the tile being to the viewer's right.

(Continued)

1 Claim, 7 Drawing Sheets



US D574,973 S

Page 2

U.S. PATENT DOCUMENTS

4,092,092 A	5/1978	Dye et al.	425/291	5,743,059 A	4/1998	Fifield	52/519
4,666,648 A	5/1987	Brittain	264/145	D402,064 S *	12/1998	Hahn	D25/140
4,695,418 A	9/1987	Baker et al.	264/151	D411,316 S	6/1999	Alvarez et al.	D25/140
4,758,148 A	7/1988	Jidell	425/219	5,974,756 A	11/1999	Alvarez et al.	52/553
D347,483 S	5/1994	Thomas	D25/139	5,974,757 A	11/1999	Whitney et al.	52/586.1
D348,317 S	6/1994	Thomas et al.	D25/139	6,247,284 B1	6/2001	Alvarez et al.	52/553
5,326,318 A	7/1994	Rotter	454/365	D452,920 S	1/2002	Alvarez et al.	D25/140
5,406,766 A	4/1995	Nicholas et al.	52/555	D467,671 S *	12/2002	Suzuki	D25/140
5,613,337 A	3/1997	Plath et al.	52/533	RE38,210 E	8/2003	Plath et al.	52/533
5,651,226 A	7/1997	Archibald	52/518	2004/0123544 A1	7/2004	Simmons et al.	52/519
5,711,126 A	1/1998	Wells	52/519	2004/0237442 A1	12/2004	Simmons	52/518

* cited by examiner

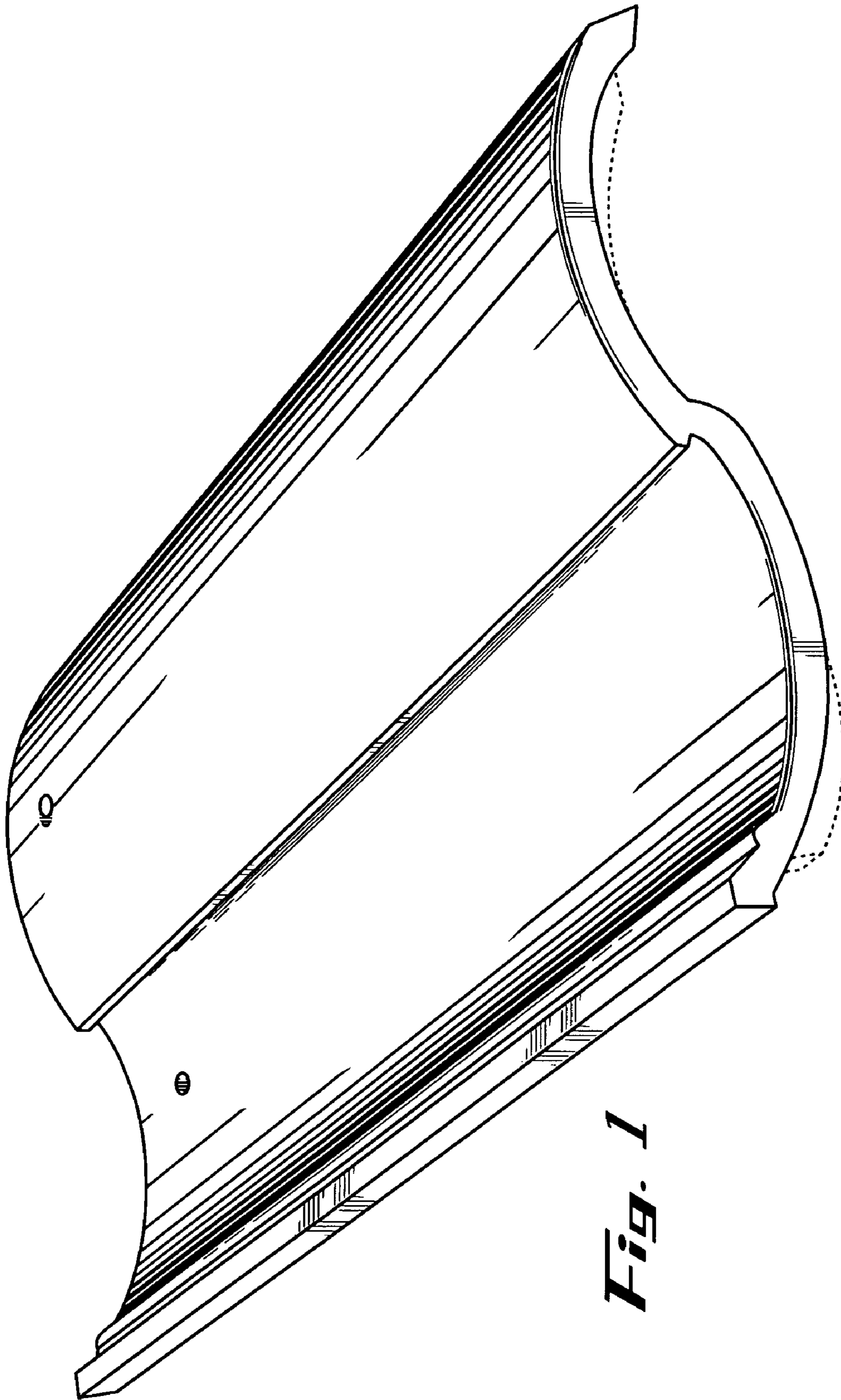


Fig. 1

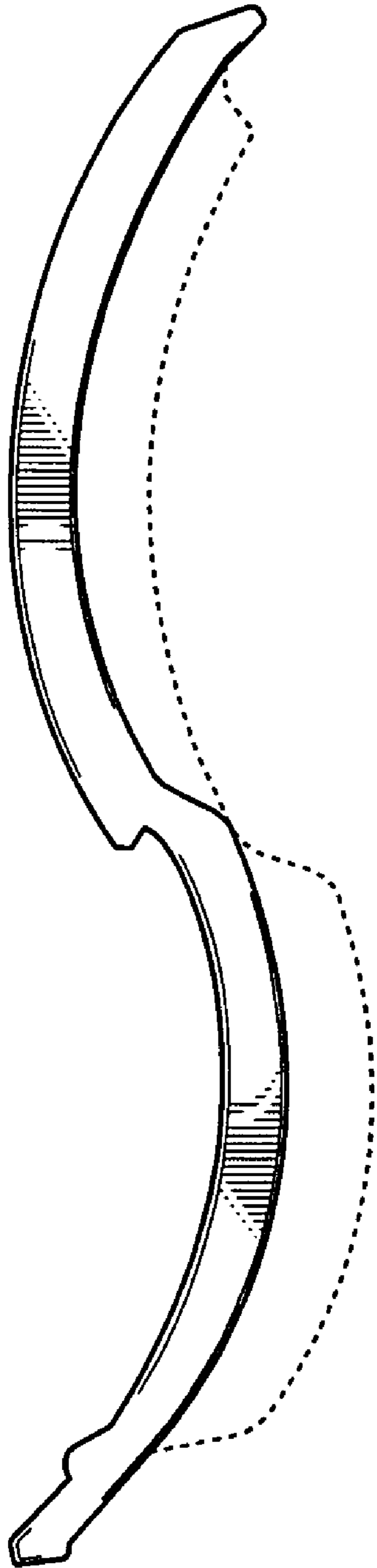


Fig. 2

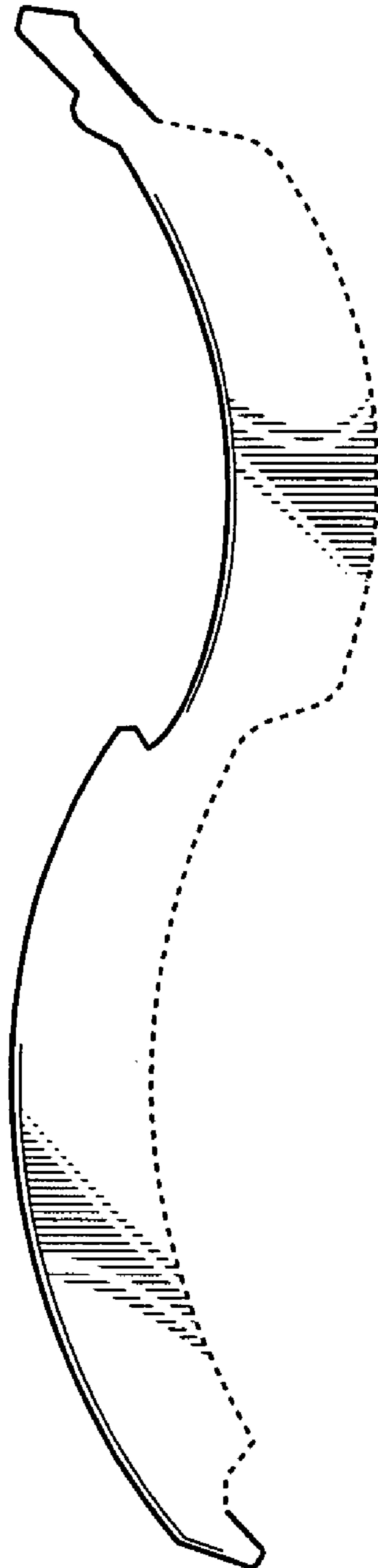


Fig. 3

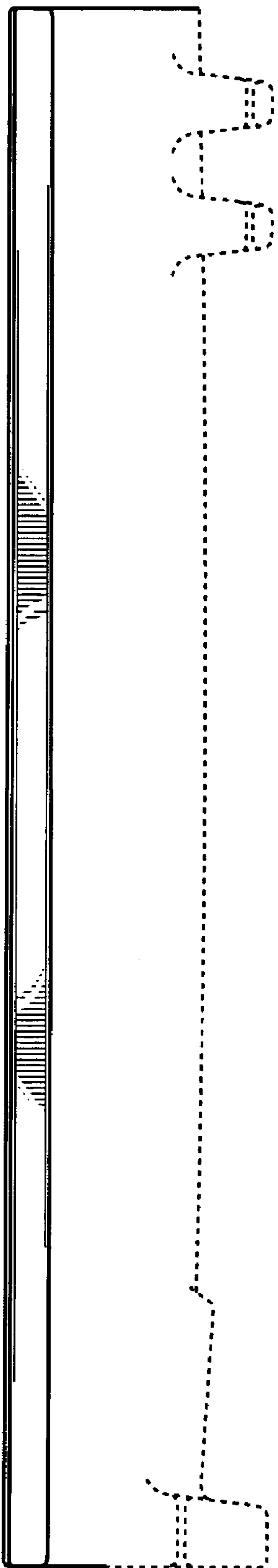


Fig. 4

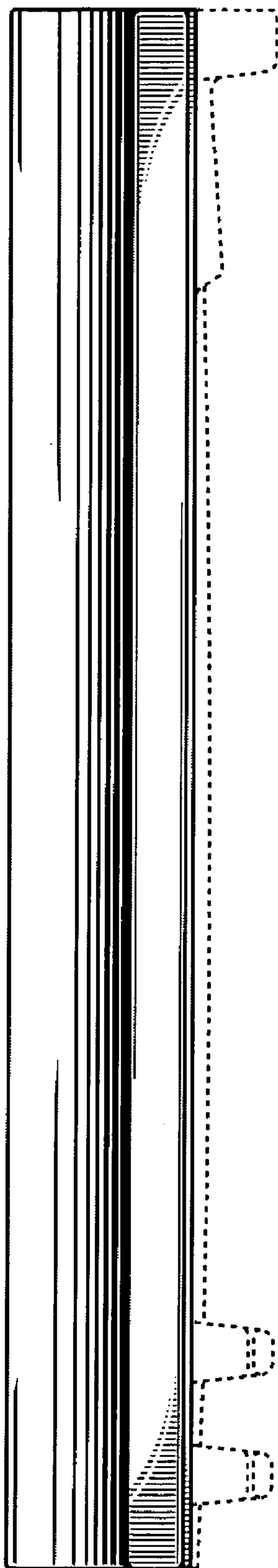


Fig. 5

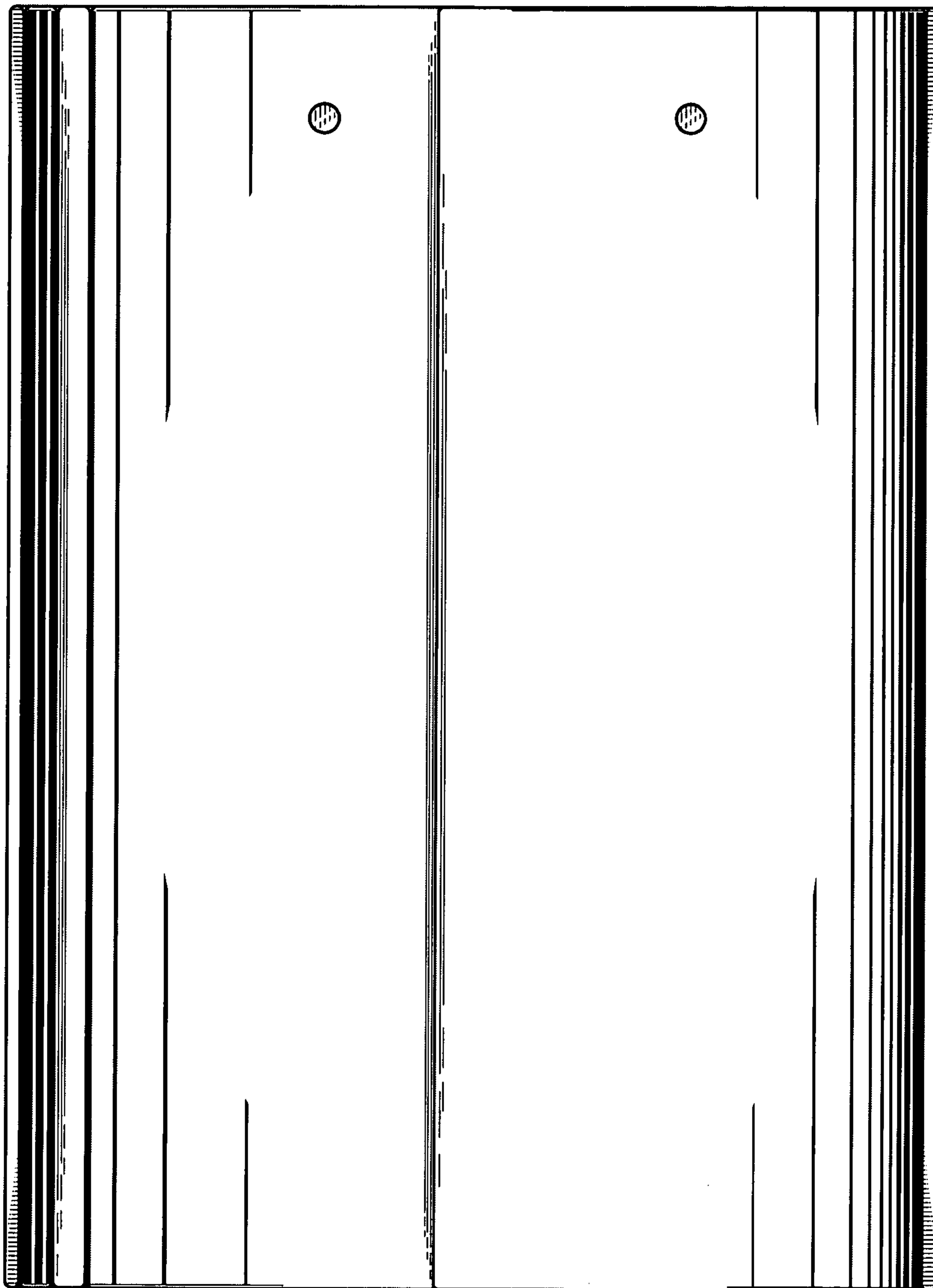


Fig. 6

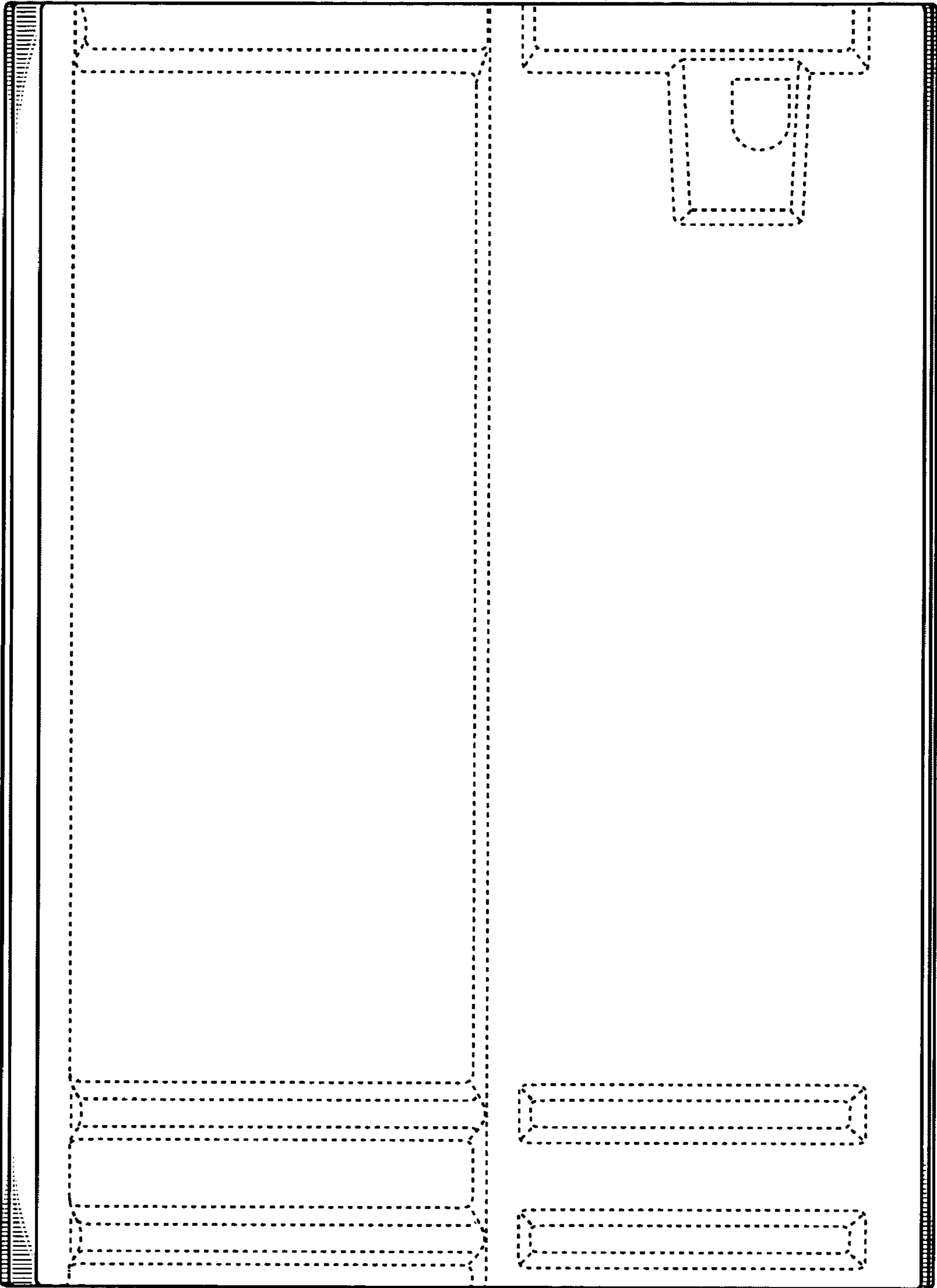


Fig. 7

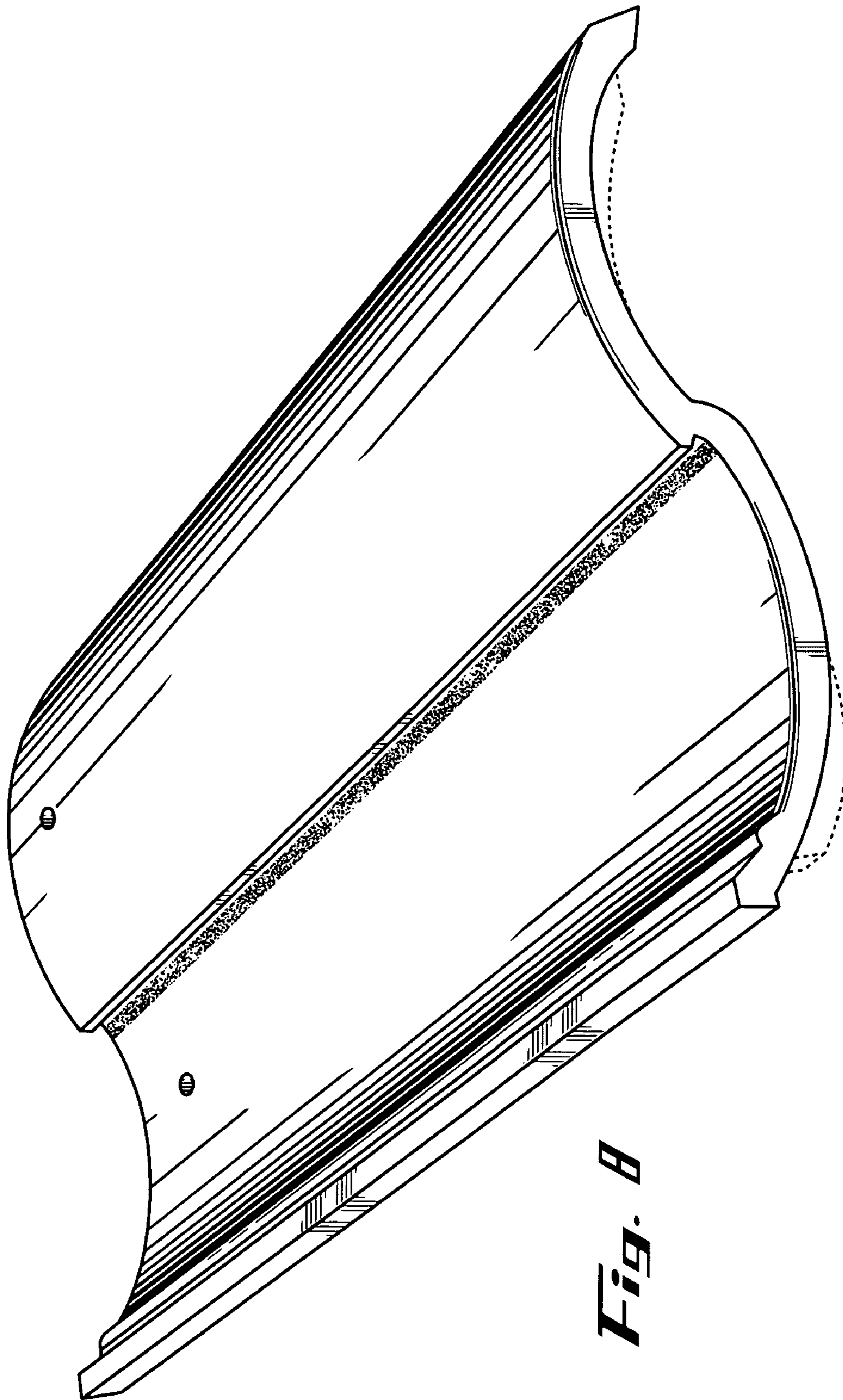


Fig. 8

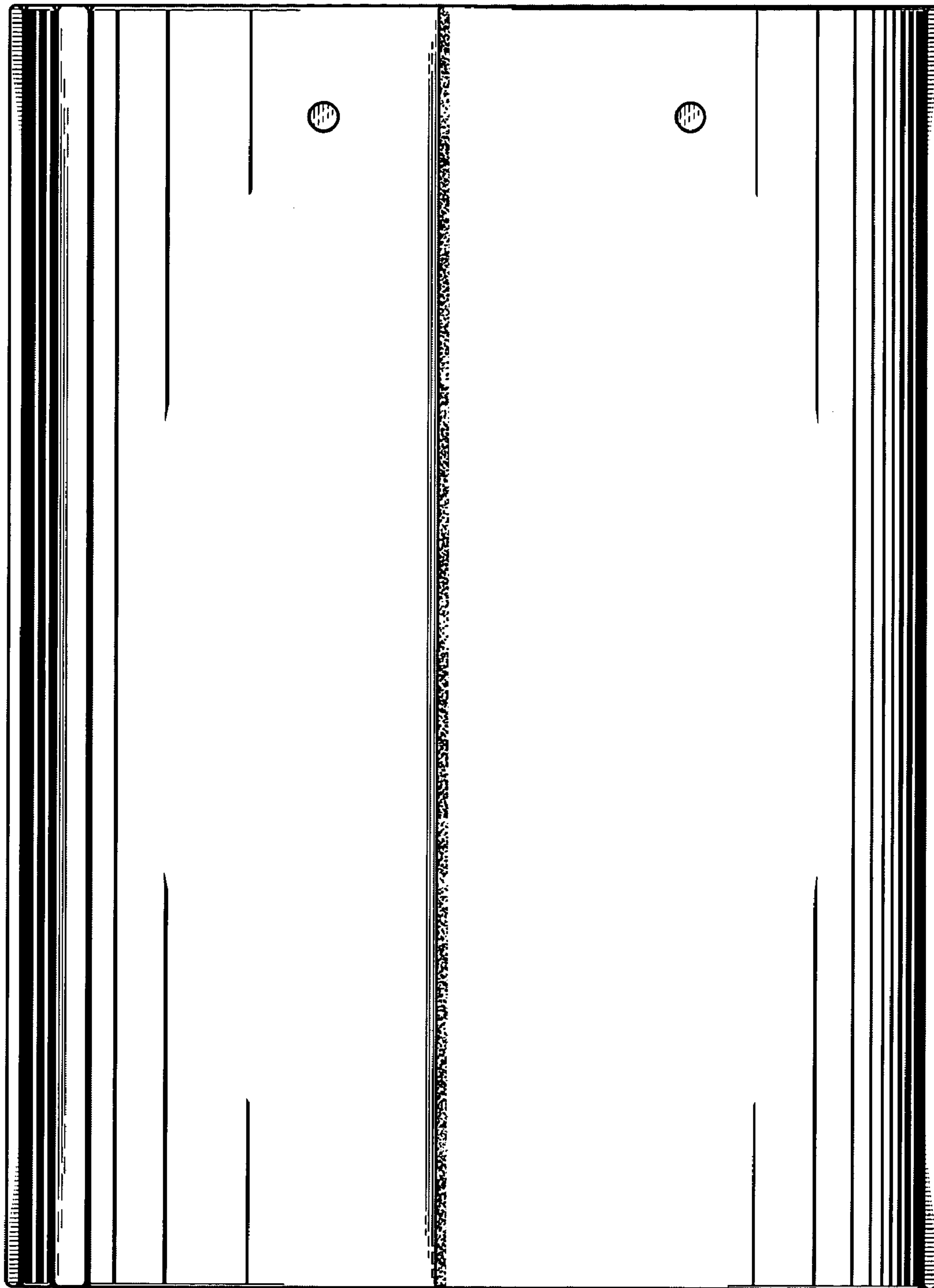


Fig. 9