



US00D574970S

(12) **United States Design Patent**
Taylor et al.

(10) **Patent No.:** **US D574,970 S**
(45) **Date of Patent:** **** Aug. 12, 2008**

(54) **CORNER TRIM PIECE**

(75) Inventors: **Christopher M. Taylor**, Hilliard, OH
(US); **Doug Williams**, Middleton, OH
(US)

(73) Assignee: **Tapco International Corporation**,
Wixom, MI (US)

(**) Term: **14 Years**

(21) Appl. No.: **29/284,164**

(22) Filed: **Aug. 31, 2007**

(51) **LOC (8) Cl.** **25-01**

(52) **U.S. Cl.** **D25/121**

(58) **Field of Classification Search** D25/136,
D25/121; 52/287.1, 100, 716.1, 272, 282.3,
52/282.1, 718.04, 716.8

See application file for complete search history.

(56) **References Cited**

U.S. PATENT DOCUMENTS

2,373,789	A	4/1945	Smith	
3,304,676	A	2/1967	Sallie et al.	
3,407,555	A	10/1968	Pugh	
3,525,188	A	8/1970	Tobett	
3,556,745	A *	1/1971	Zaremski 293/120
4,198,455	A *	4/1980	Spiro et al. 428/126
4,319,439	A	3/1982	Gussow	
4,827,683	A	5/1989	Poole	
5,090,174	A	2/1992	Fragale	
5,542,222	A	8/1996	Wilson et al.	
5,560,170	A	10/1996	Ganser et al.	
5,664,376	A	9/1997	Wilson et al.	
D385,049	S *	10/1997	Anderson D25/136
D405,544	S *	2/1999	Magnusson et al. D25/121

D432,671	S *	10/2000	Grosfillex D25/119
6,311,442	B1	11/2001	Watanabe	
6,341,458	B1	1/2002	Burt	
D457,658	S *	5/2002	Harel D25/121
D457,972	S *	5/2002	Harel D25/121
D472,333	S	3/2003	Shaw	
6,904,726	B2	6/2005	Heard et al.	
2005/0102959	A1	5/2005	Hintze	
2007/0151180	A1	7/2007	Pace et al.	

FOREIGN PATENT DOCUMENTS

CA	2569787	6/2007
GB	2352677	7/2001
JP	09060248	4/1997
JP	2001090311	3/2001

* cited by examiner

Primary Examiner—Doris Clark

(74) *Attorney, Agent, or Firm*—Howard & Howard Attorneys,
P.C.

(57) **CLAIM**

We claim the ornamental design for a corner trim piece, as shown and described.

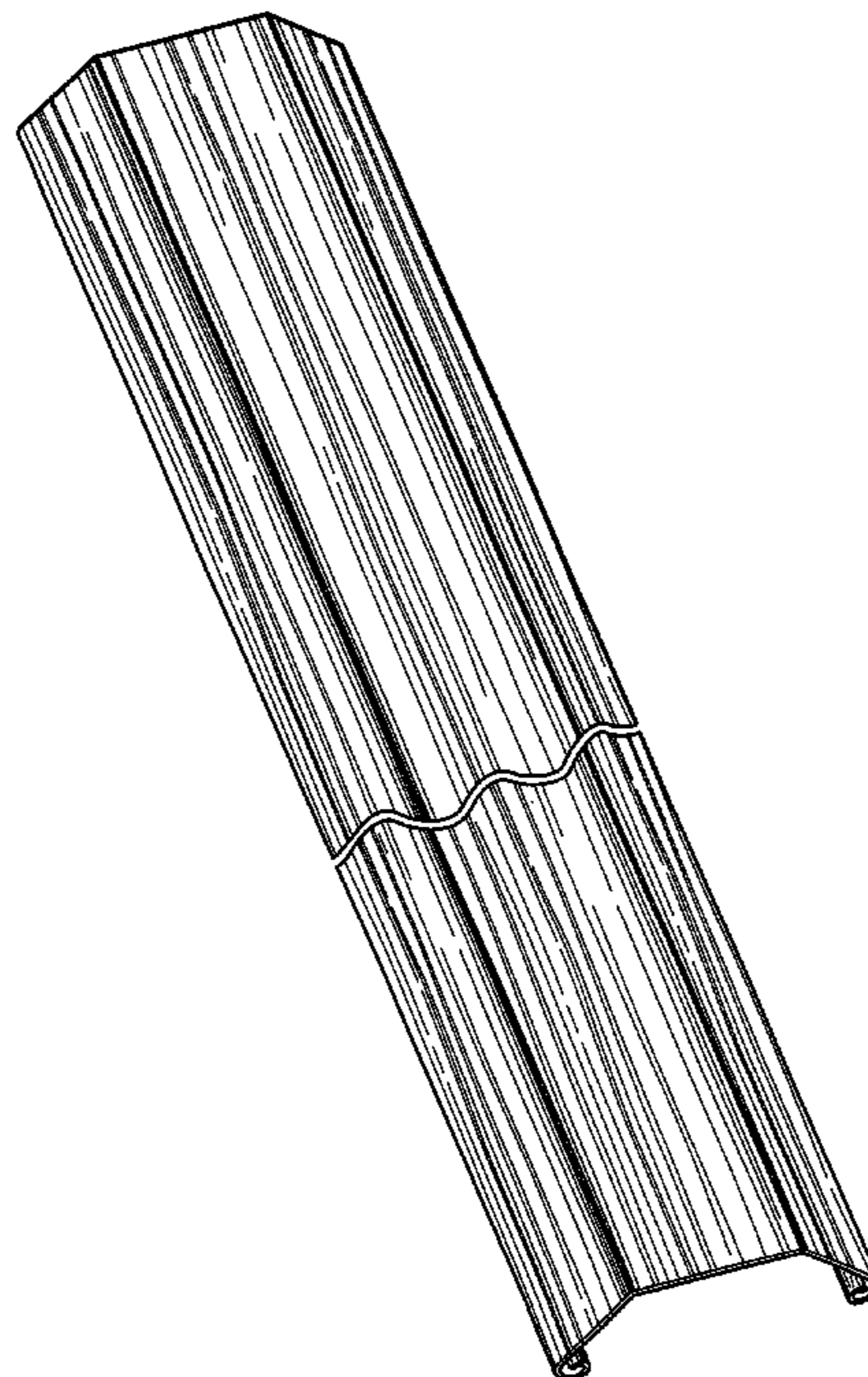
DESCRIPTION

FIG. 1 is a front perspective view of a corner trim piece; the exterior having the appearance of wood grain, and the corner trim piece is broken in the center to indicate indeterminate length.

FIG. 2 is a bottom view of the corner trim piece illustrating curled edges of the corner trim piece, the top view being a mirror-image thereof; and,

FIG. 3 is a rear perspective view of the corner trim piece.

1 Claim, 2 Drawing Sheets



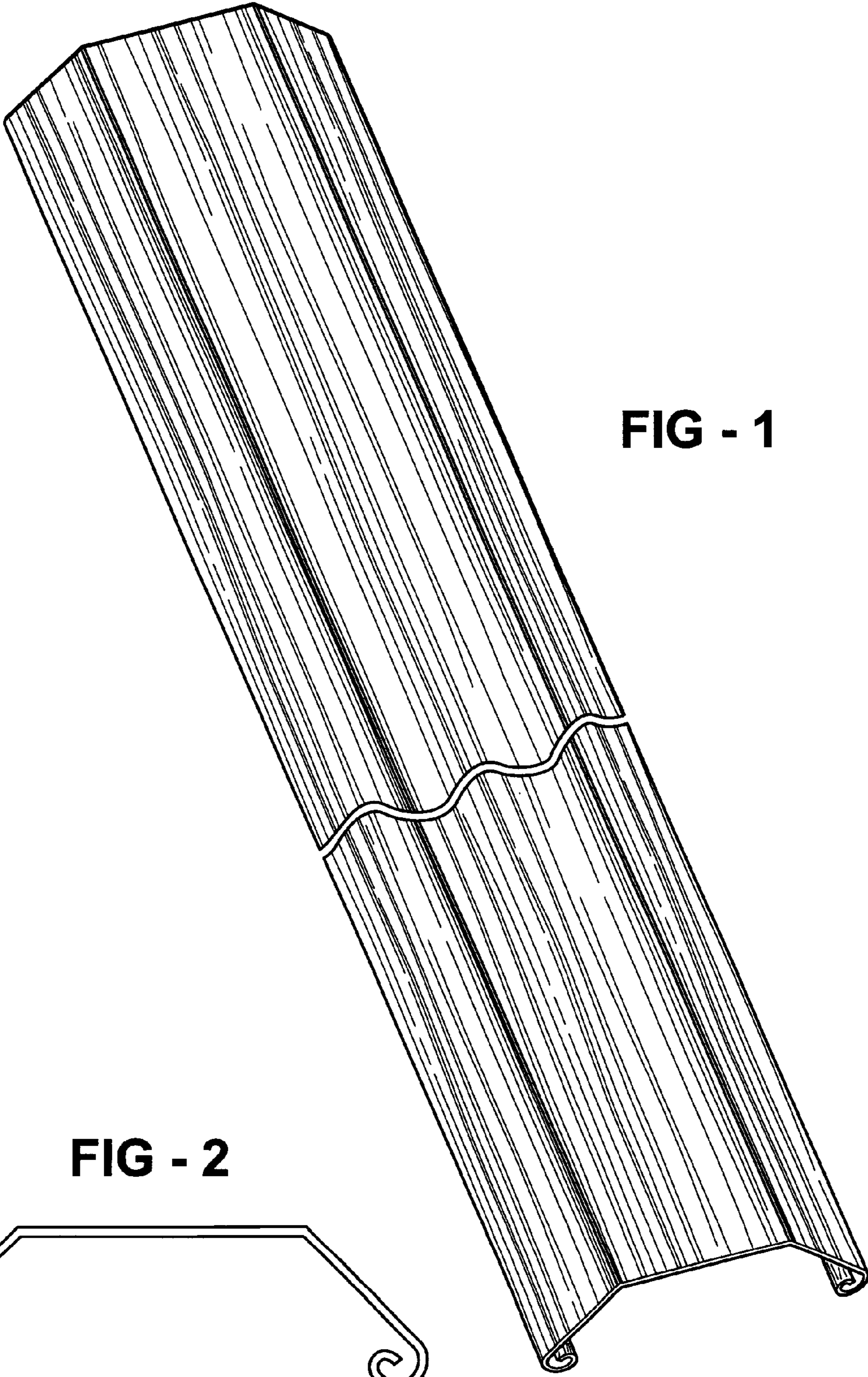


FIG - 1

FIG - 2

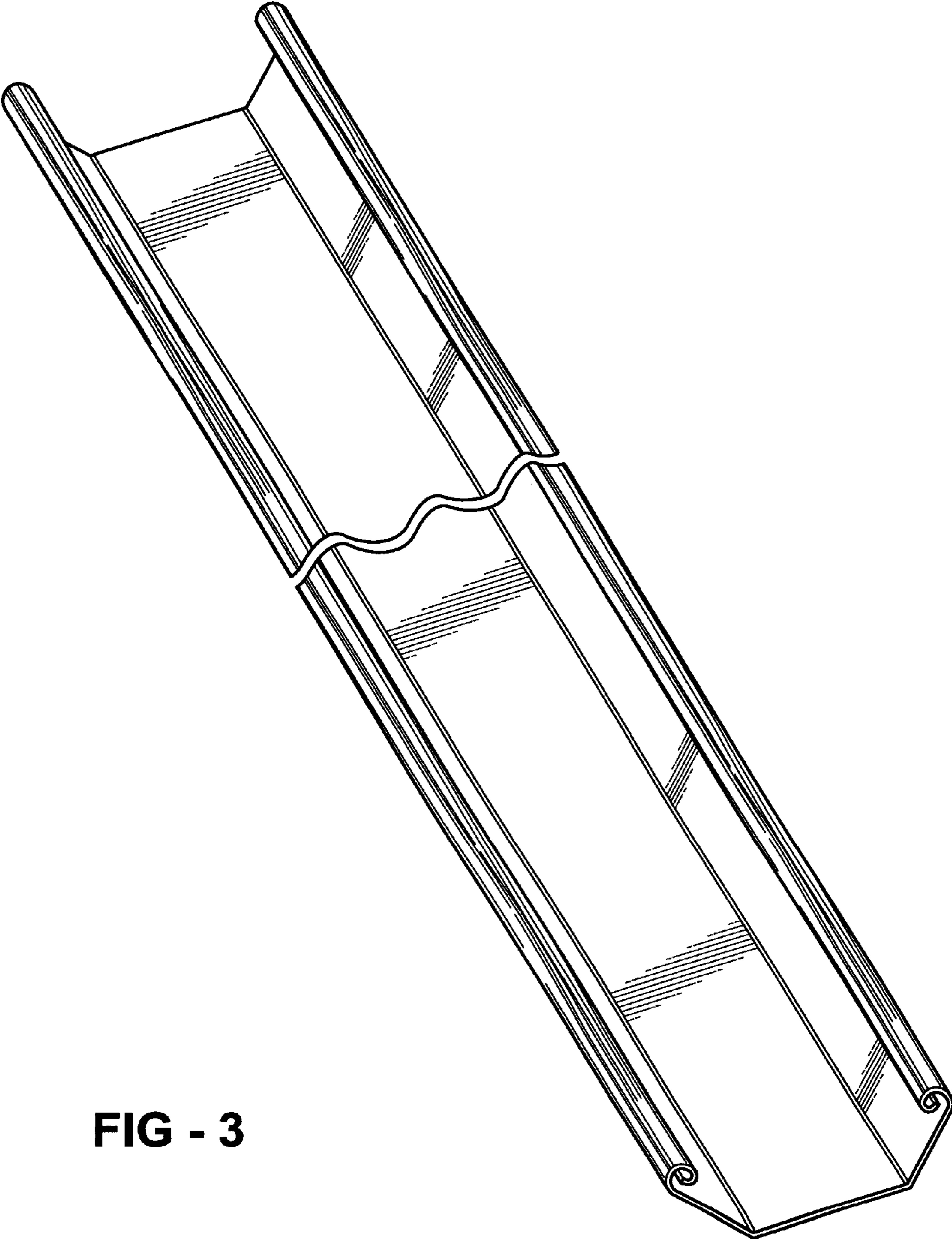


FIG - 3