

US00D574964S

(12) **United States Design Patent**
Holtsnider et al.

(10) **Patent No.:** **US D574,964 S**
(45) **Date of Patent:** **** Aug. 12, 2008**

(54) **FIXTURE FOR A POOL OR SPA**
(75) Inventors: **Michael D. Holtsnider**, Moorpark, CA (US); **Raymundo Colin**, Simi Valley, CA (US)
(73) Assignee: **B & S Plastics, Inc.**, Oxnard, CA (US)
(**) Term: **14 Years**
(21) Appl. No.: **29/260,554**
(22) Filed: **May 25, 2006**
(51) **LOC (8) Cl.** **24-02**
(52) **U.S. Cl.** **D24/201**
(58) **Field of Classification Search** D24/201, D24/204, 205; D23/213, 277; 601/154-158; 4/541.1-541.6, 547, 578.1, 579; 239/261, 239/587.1, 587.4
See application file for complete search history.

5,462,230 A 10/1995 Van Ouwerkerk 239/587.4
5,604,940 A 2/1997 Shimizu 4/541.1
5,657,496 A 8/1997 Corb et al. 4/541.6
5,742,953 A 4/1998 Loizeaux 4/541.6
5,810,257 A 9/1998 Ton 4/541.6
5,862,543 A 1/1999 Reynoso et al. 4/541.6
5,915,849 A * 6/1999 Dongo 4/541.6
5,920,925 A 7/1999 Dongo 4/541.6
D428,155 S * 7/2000 Chalberg et al. D24/204
6,178,570 B1 1/2001 Denst 4/541
D460,192 S * 7/2002 Collins et al. D24/204
6,510,277 B1 1/2003 Dongo 385/147
6,889,916 B2 * 5/2005 Loyd et al. 239/261
7,043,775 B2 5/2006 Holtsnider et al. 4/541.6
D530,018 S * 10/2006 Loyd D24/201
D531,730 S * 11/2006 Loyd D24/201

(56) **References Cited**

U.S. PATENT DOCUMENTS

3,570,766 A 3/1971 Johnson 239/601
3,704,831 A 12/1972 Clark 239/394
4,320,541 A 3/1982 Neenan 4/492
4,502,168 A * 3/1985 Jaworski 4/496
4,508,665 A 4/1985 Spinnett 261/93
4,617,615 A 10/1986 Eychaner 362/216
4,800,046 A 1/1989 Malek et al. 261/50.3
4,903,897 A 2/1990 Hayes 239/394
5,014,372 A 5/1991 Thrasher et al. 4/542
D320,086 S * 9/1991 Moeller D24/204
5,051,875 A 9/1991 Johnson 362/101
5,122,936 A 6/1992 Guthrie 362/101
5,172,508 A 12/1992 Schmidt 43/17.5
5,172,866 A 12/1992 Ward 239/446
5,226,601 A 7/1993 Hinojosa, Jr. et al. 239/423
5,245,714 A 9/1993 Haraga et al. 4/492
5,269,029 A 12/1993 Spears et al. 4/514.6
5,271,561 A 12/1993 Tobias et al. 4/541.6
5,316,216 A 5/1994 Cammack et al. 239/71
5,353,447 A 10/1994 Gravatt 4/541.6
5,444,879 A 8/1995 Holtsnider 4/541.01
5,457,825 A 10/1995 Holtsnider 4/541.1

OTHER PUBLICATIONS

Waterway Plastics, Inc. 1999 Product Catalogue, p. 4, 210-6120 and 210-6510.
Waterway Plastics, Inc. 1997 Product Catalogue, p. 1 (Deluxe & Octagon Series Fusating Jet) and (Standard Poly Jets Whirly and Pulsator Jets).

* cited by examiner

Primary Examiner—Ian Simmons
Assistant Examiner—Melanie Levy
(74) *Attorney, Agent, or Firm*—Koppel, Patrick, Heybl & Dawson

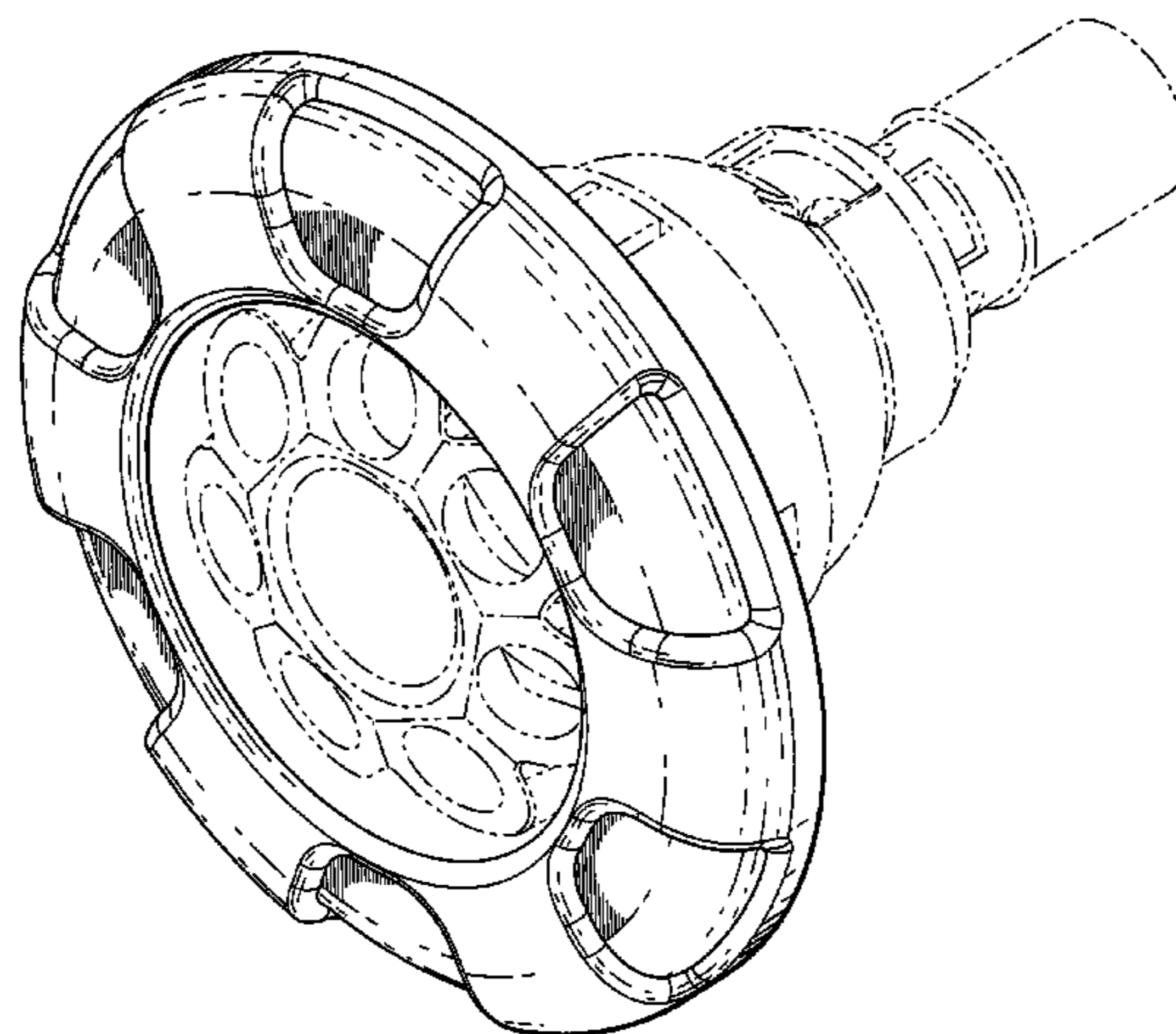
(57) **CLAIM**

The ornamental design for a fixture for a pool or spa, as shown and described.

DESCRIPTION

FIG. 1 is a front elevation of a fixture for a pool or spa showing our new design;
FIG. 2 is a left side plan view thereof; and,
FIG. 3 is a front perspective view thereof.
The broken line showing of FIGS. 1-3 is for illustrative purposes only and forms no part of the claimed design.

1 Claim, 3 Drawing Sheets



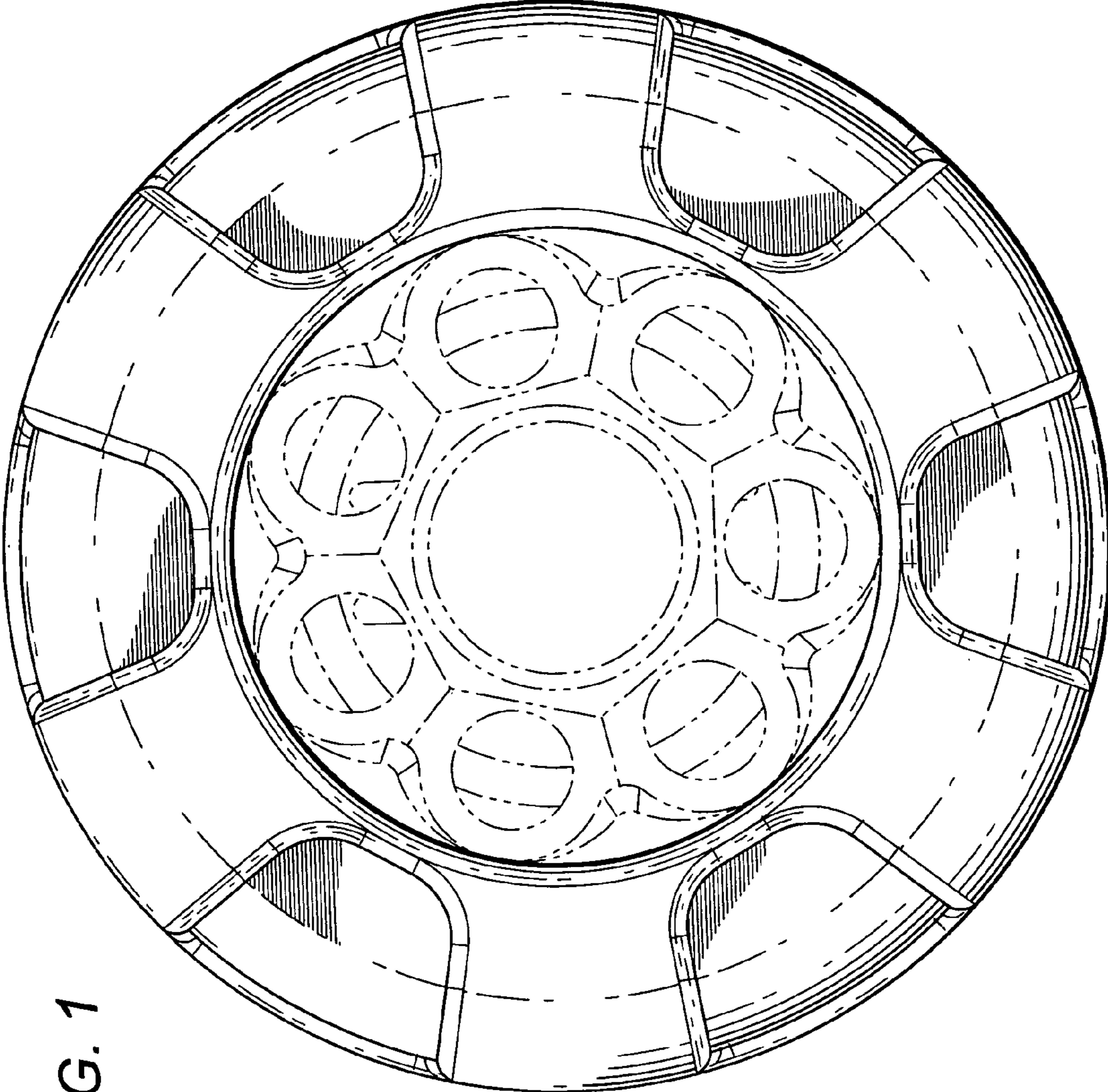
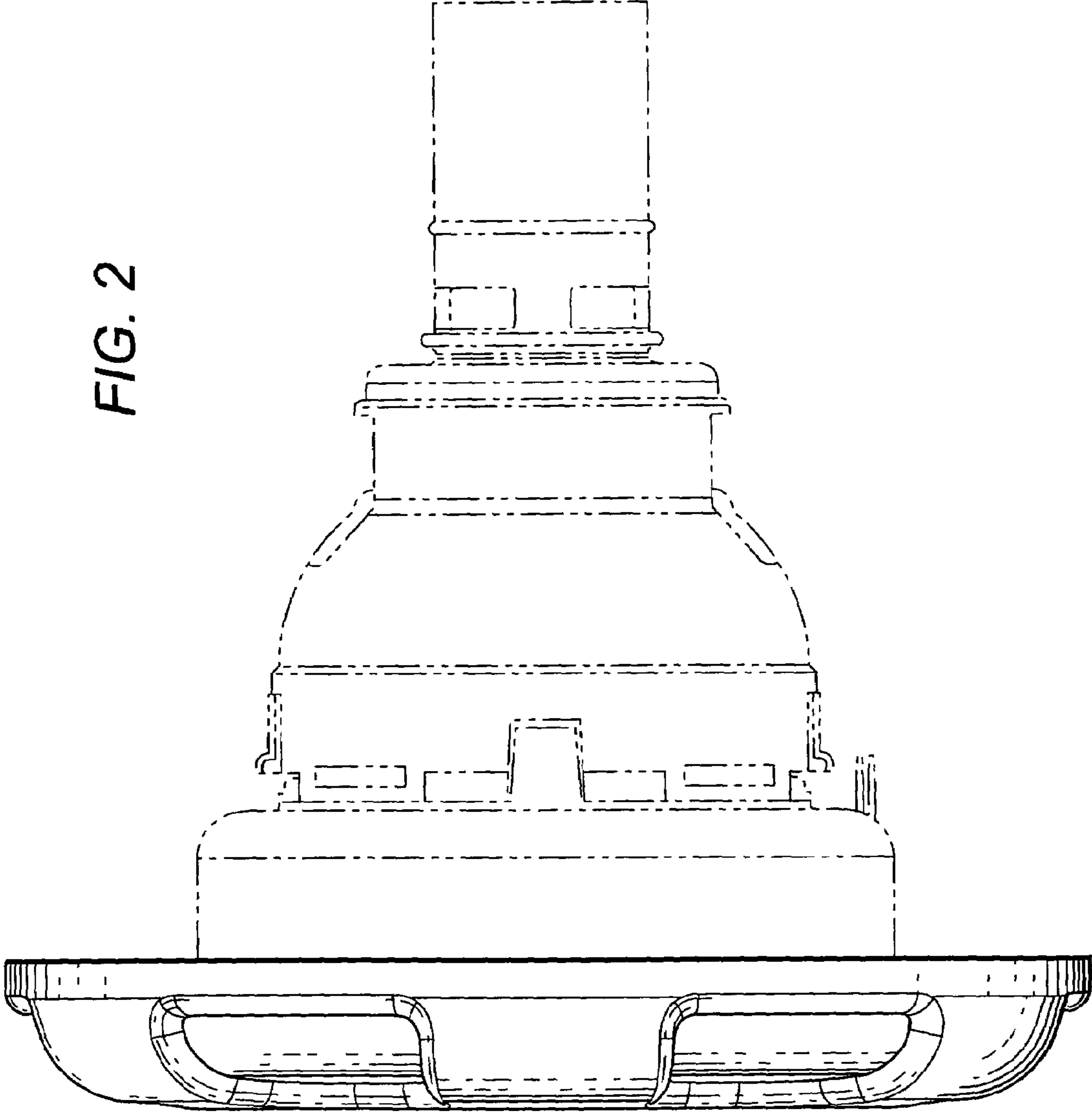


FIG. 1

FIG. 2



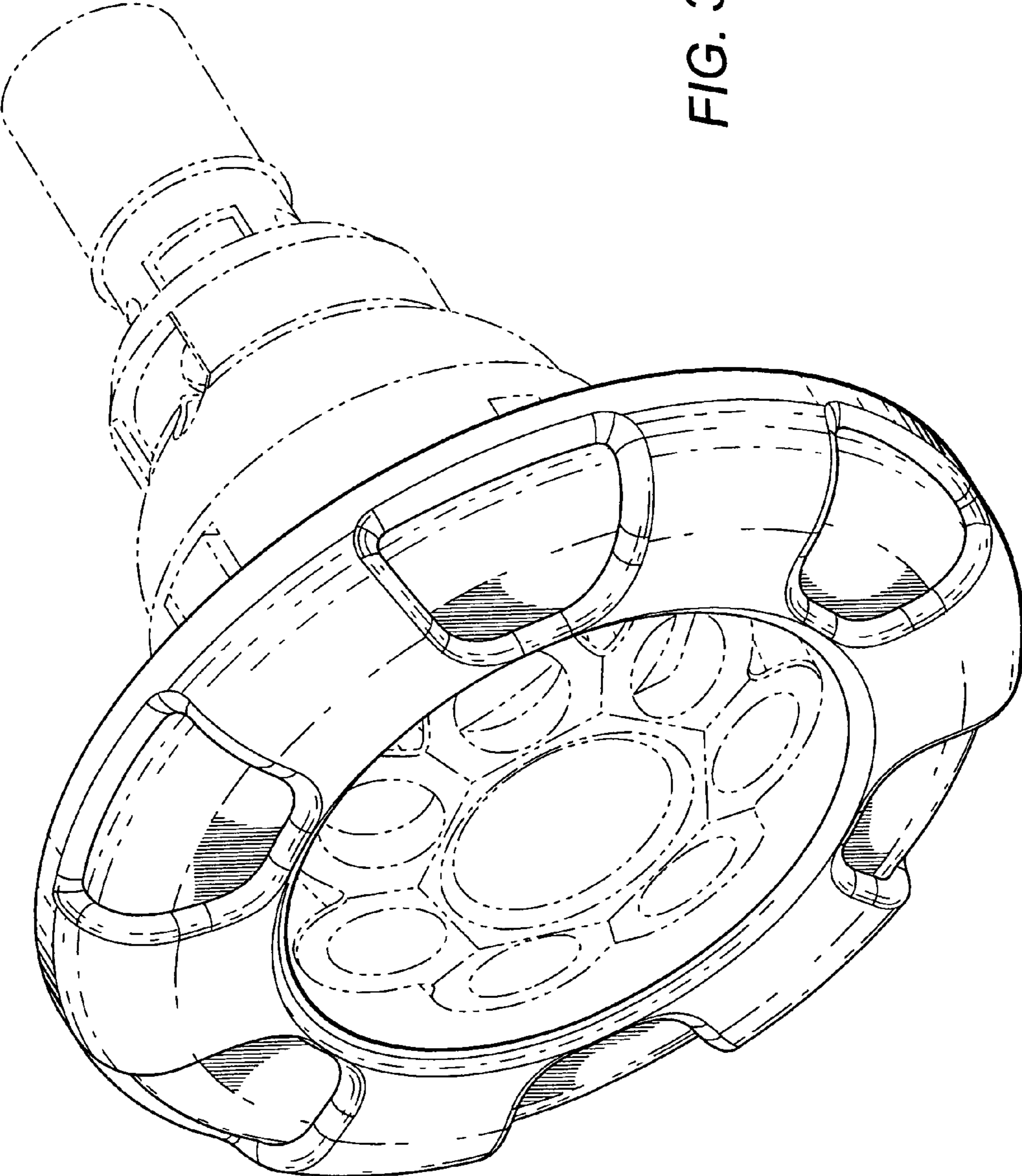


FIG. 3