



US00D574963S

(12) **United States Design Patent**
Kliegman et al.

(10) **Patent No.:** **US D574,963 S**

(45) **Date of Patent:** **** Aug. 12, 2008**

(54) **PACIFIER**

(75) Inventors: **Adriana Kliegman**, New York, NY
(US); **Diana B. Sierra**, Hackensack, NJ
(US)

(73) Assignee: **Playtex Products, Inc.**, Westport, CT
(US)

(**) Term: **14 Years**

(21) Appl. No.: **29/272,644**

(22) Filed: **Feb. 13, 2007**

Related U.S. Application Data

(62) Division of application No. 29/259,285, filed on May 5, 2006.

(51) **LOC (8) Cl.** **24-04**

(52) **U.S. Cl.** **D24/194**

(58) **Field of Classification Search** D24/193-196,
D24/199; 606/234-236; 215/11.1-11.6
See application file for complete search history.

(56) **References Cited**

U.S. PATENT DOCUMENTS

2,524,021	A *	9/1950	Rigby et al.	215/11.3
2,888,929	A *	6/1959	Bray	606/236
3,267,937	A	8/1966	Verschoor	606/236
D255,268	S *	6/1980	Bernstein	D24/194
D267,116	S	11/1982	Bobelis et al.	D24/194
D303,839	S	10/1989	Fitzpatrick et al.	D24/194
D326,919	S	6/1992	Geitner et al.	D24/194
D334,064	S	3/1993	Fitzpatrick	D24/194
D340,525	S *	10/1993	Rohrig	D24/194
D376,014	S *	11/1996	McKenney	D24/194
D380,836	S	7/1997	Fitzpatrick et al.	D24/194
D391,641	S	3/1998	Fields et al.	D24/194

D404,137	S	1/1999	Underwood et al.	D24/194
D413,387	S	8/1999	Fitzpatrick et al.	D24/194
D414,267	S	9/1999	Calandro	D24/194
5,954,749	A *	9/1999	Fields et al.	606/234
6,003,698	A *	12/1999	Morano	215/11.1
D430,675	S *	9/2000	Roehrig	D24/194
D450,126	S	11/2001	Fitzpatrick et al.	D24/194
D477,411	S *	7/2003	Kroepel	D24/194
6,695,869	B2	2/2004	Fitzpatrick et al.	606/234
6,905,507	B2 *	6/2005	Hinshaw	606/235
D532,521	S	11/2006	Struckmeier	D24/194
D532,522	S *	11/2006	Struckmeier	D24/194
D541,422	S *	4/2007	Pils et al.	D24/194
D559,391	S *	1/2008	Kliegman et al.	D24/194
2003/0100922	A1 *	5/2003	Fitzpatrick et al.	606/234
2003/0208234	A1 *	11/2003	Thornton et al.	606/234
2007/0102388	A1 *	5/2007	Lewis et al.	215/11.1

* cited by examiner

Primary Examiner—Robert M. Spear

Assistant Examiner—Susan E Krakower

(74) *Attorney, Agent, or Firm*—Ohlandt, Greeley, Ruggiero & Perle, L.L.P.

(57) **CLAIM**

The ornamental design for a pacifier, as shown and described.

DESCRIPTION

FIG. 1 is a front perspective view of a pacifier showing our design;

FIG. 2 is a rear perspective view thereof;

FIG. 3 is a front view thereof;

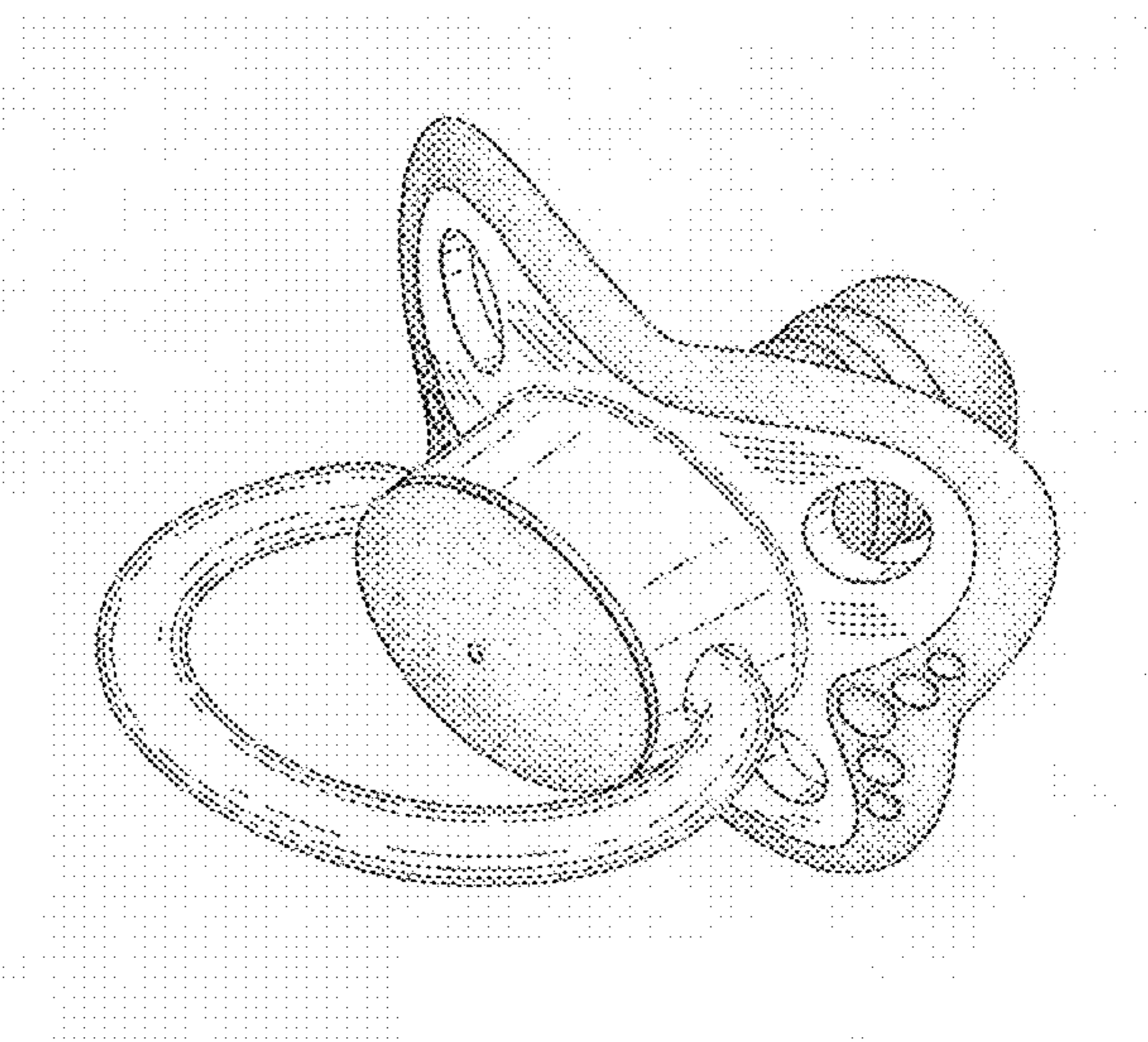
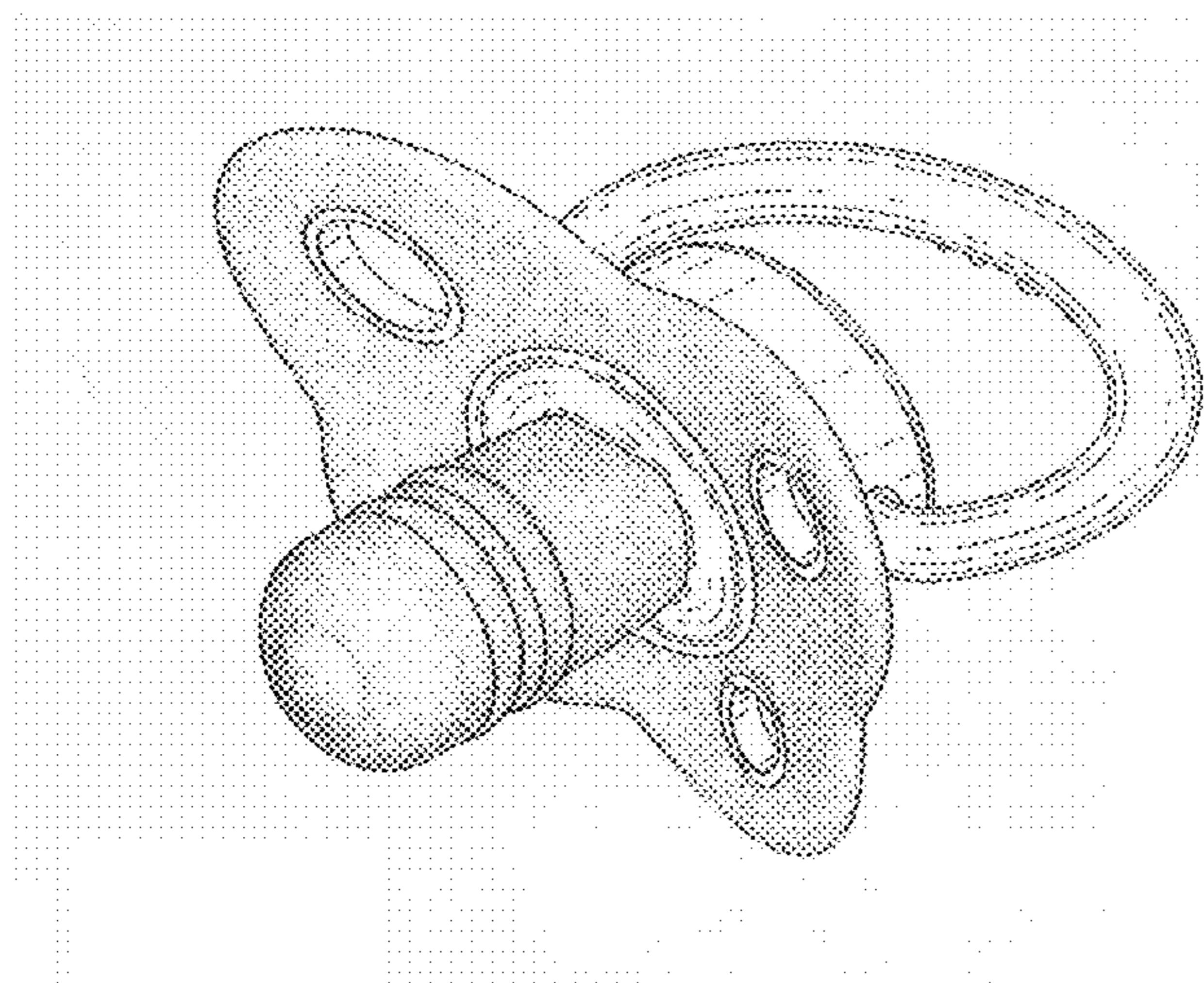
FIG. 4 is a rear view thereof;

FIG. 5 is a side view thereof, the opposite side being identical;

FIG. 6 is a top view thereof; and,

FIG. 7 is a bottom view thereof.

1 Claim, 3 Drawing Sheets



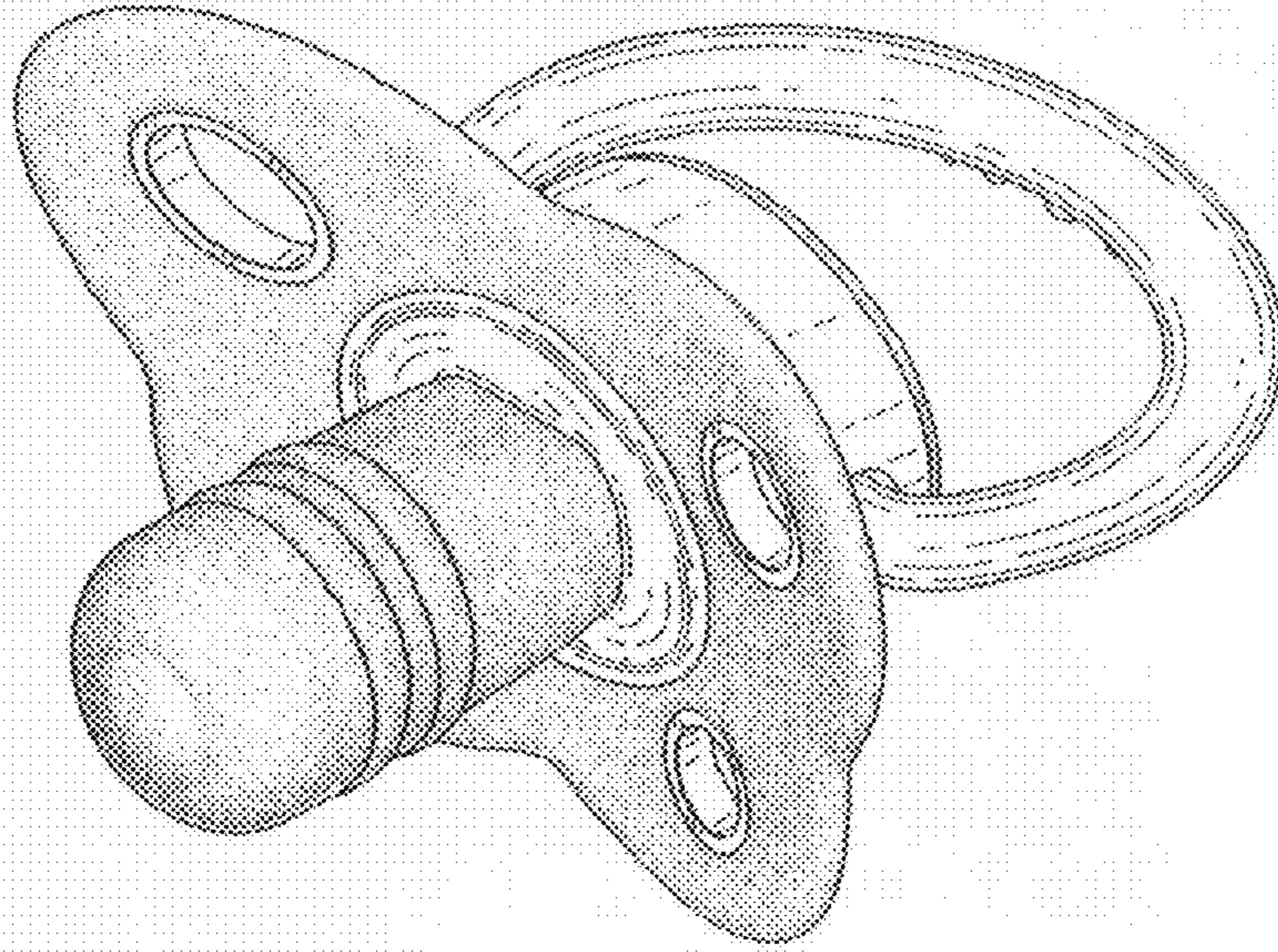


FIG. 1

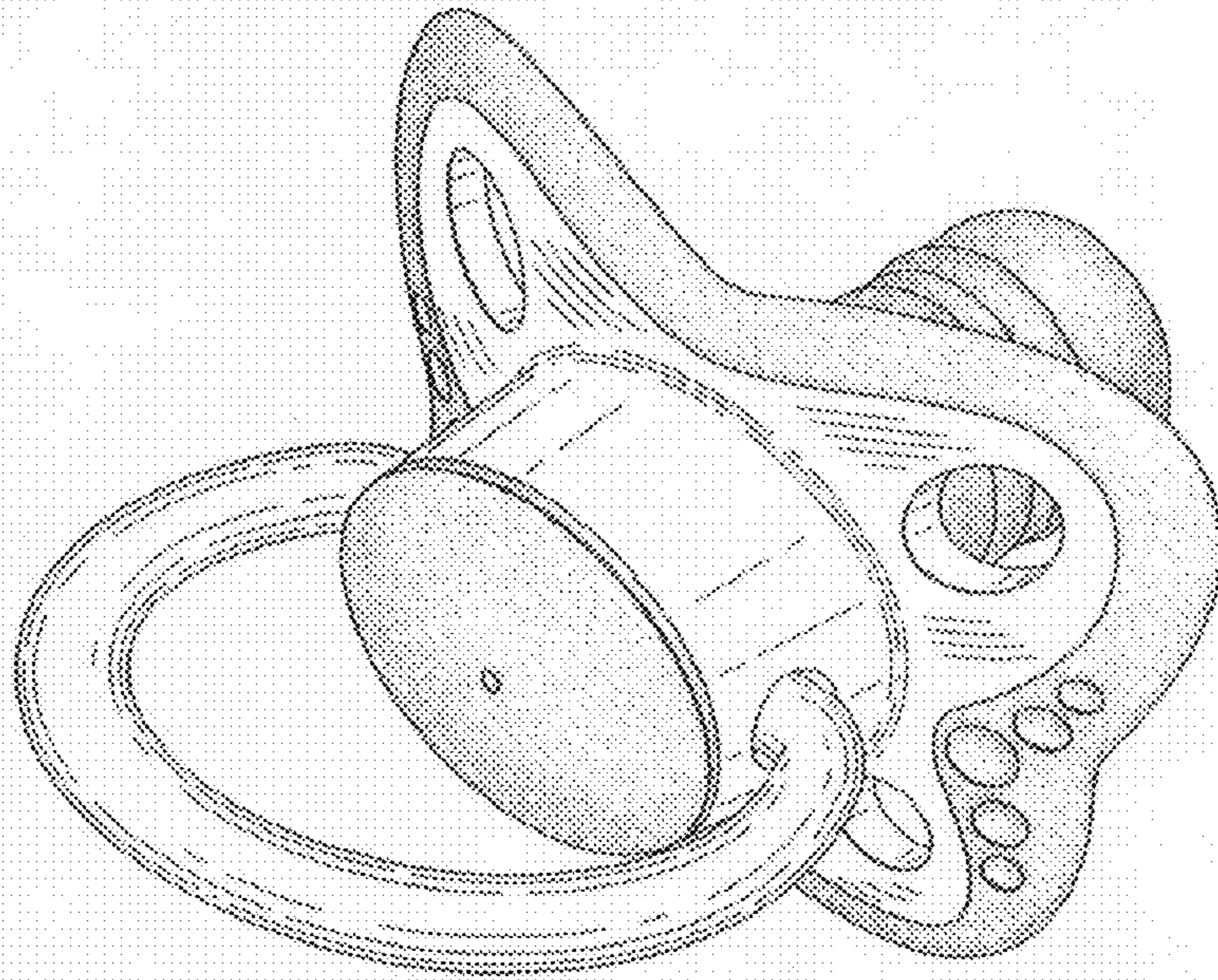


FIG. 2

FIG. 3

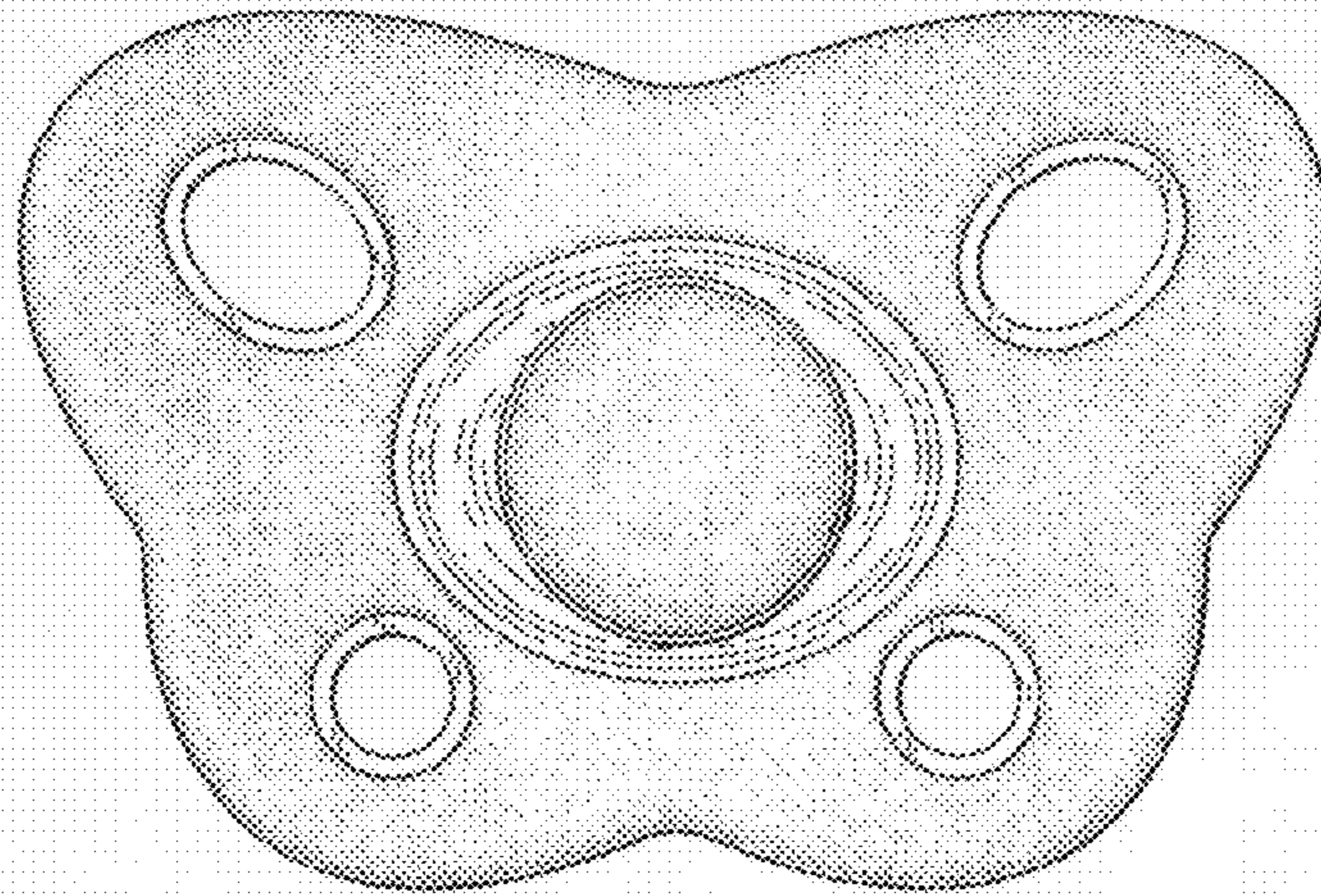


FIG. 4

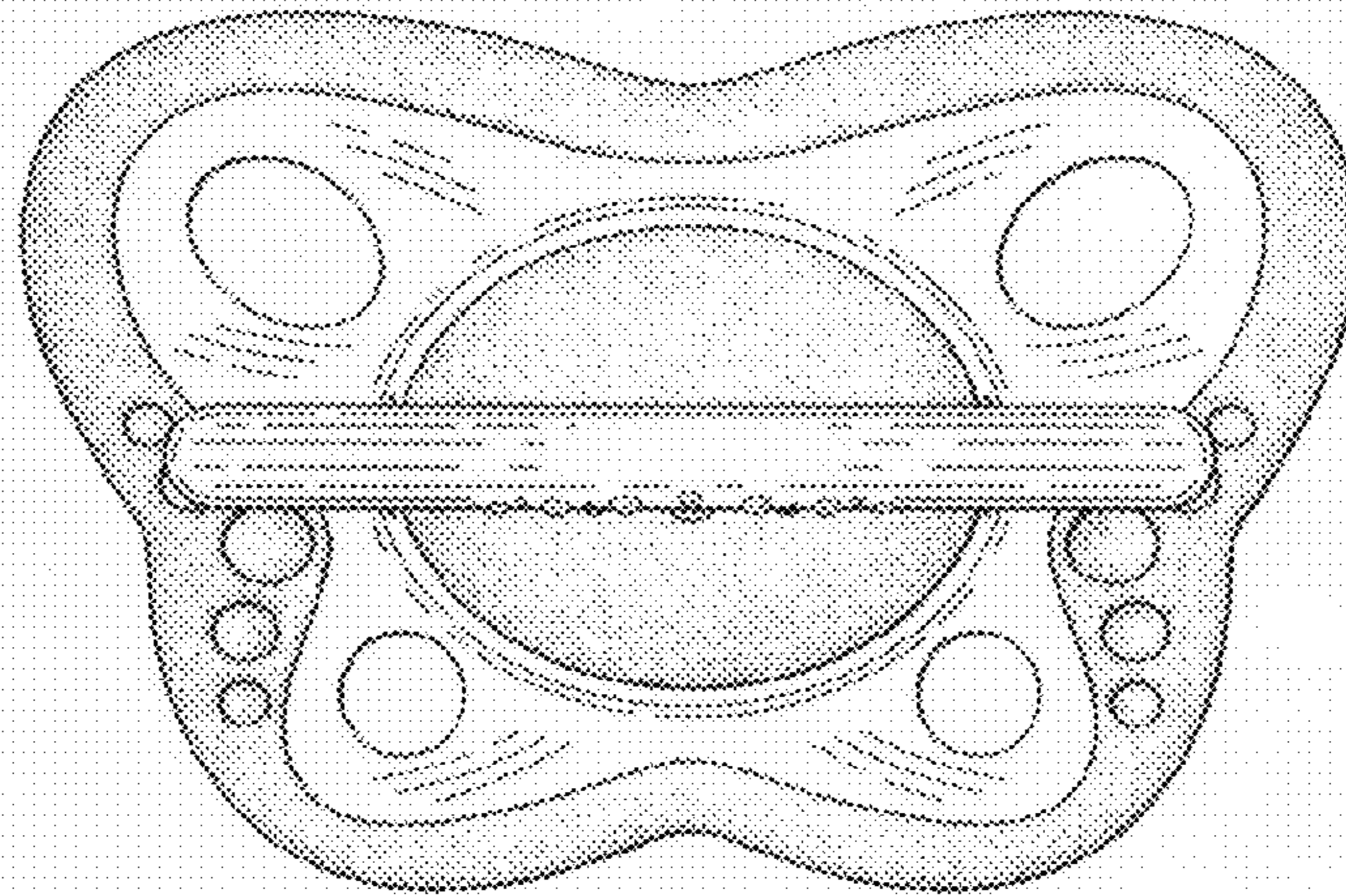
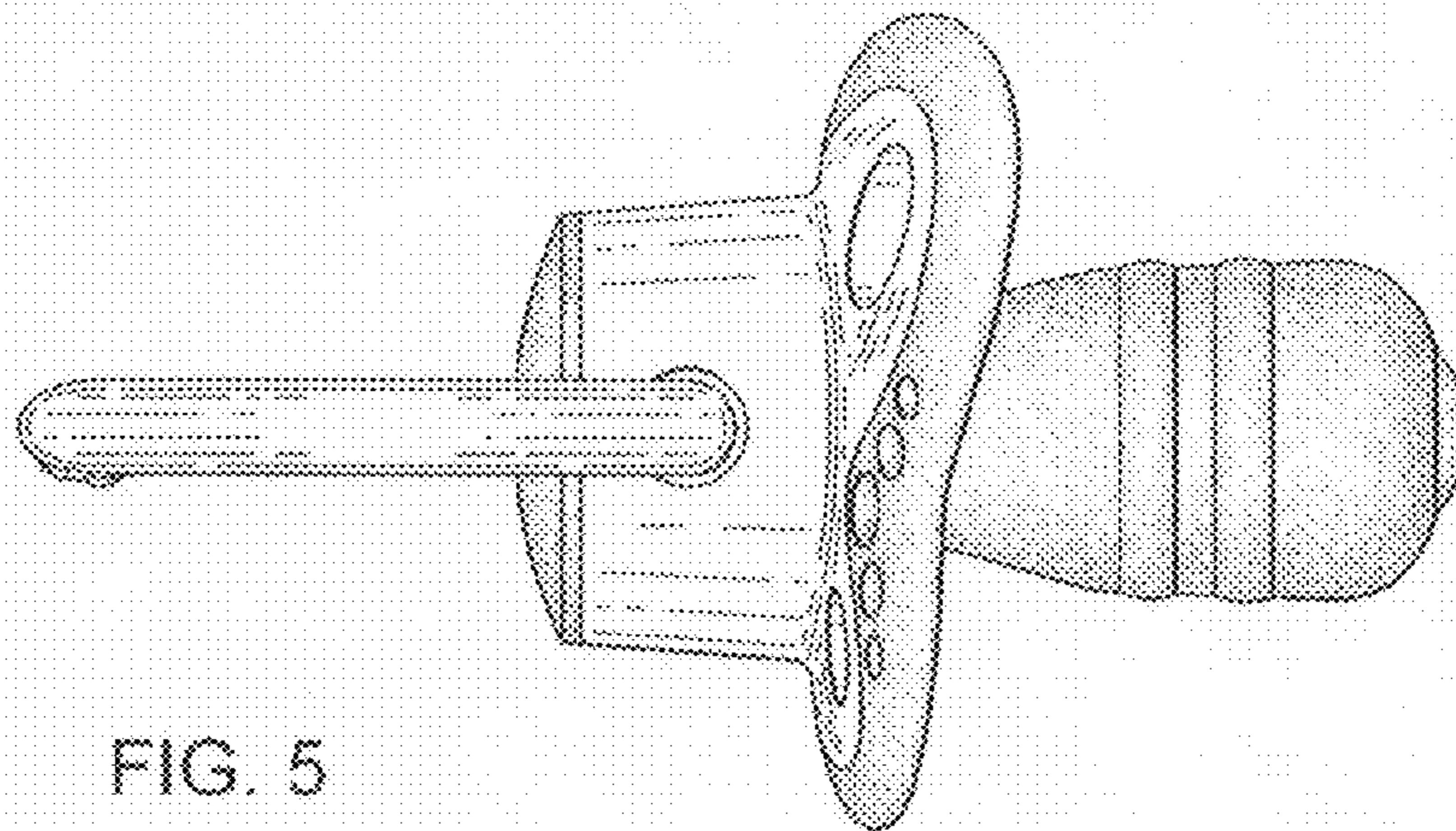


FIG. 5



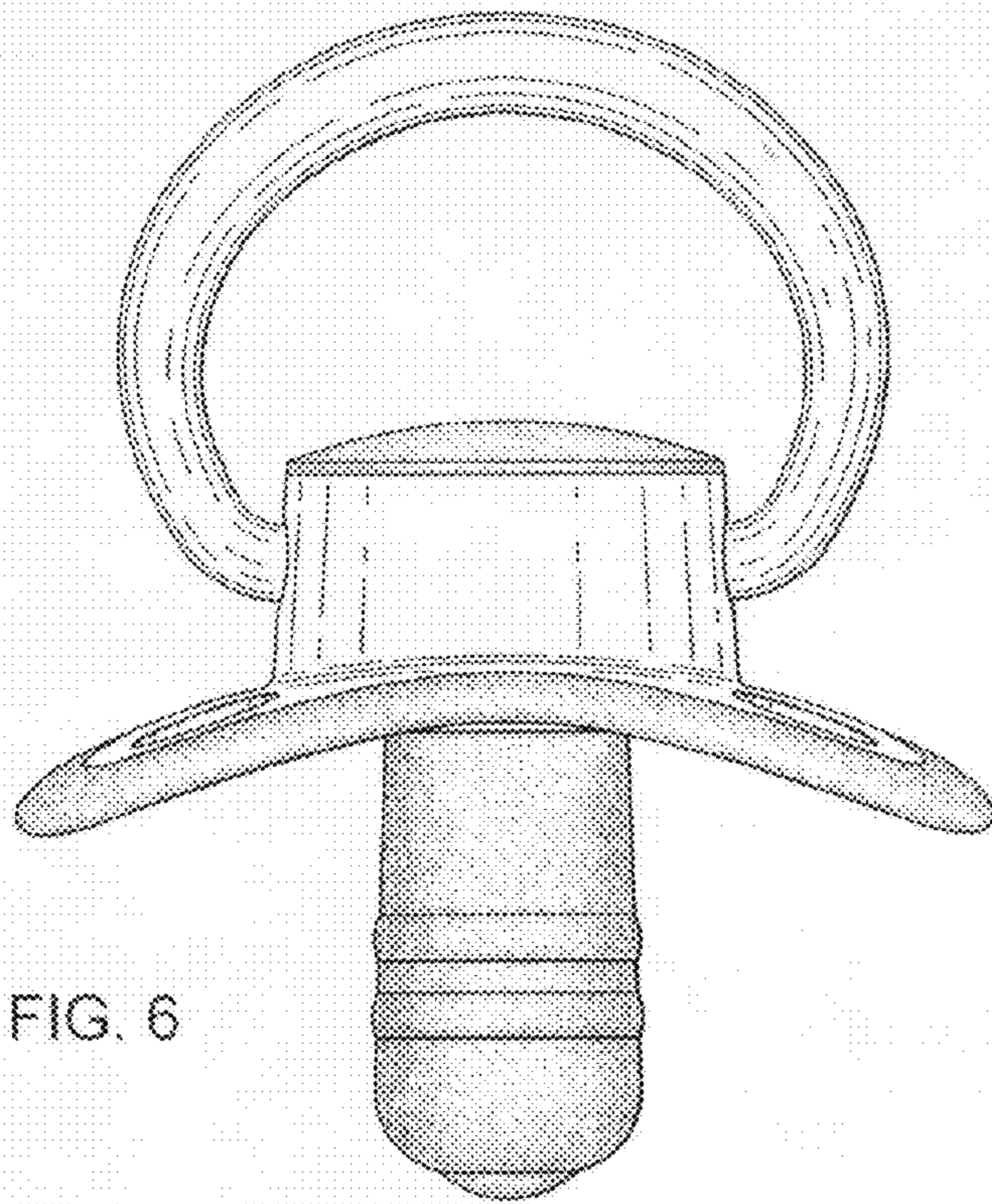


FIG. 6

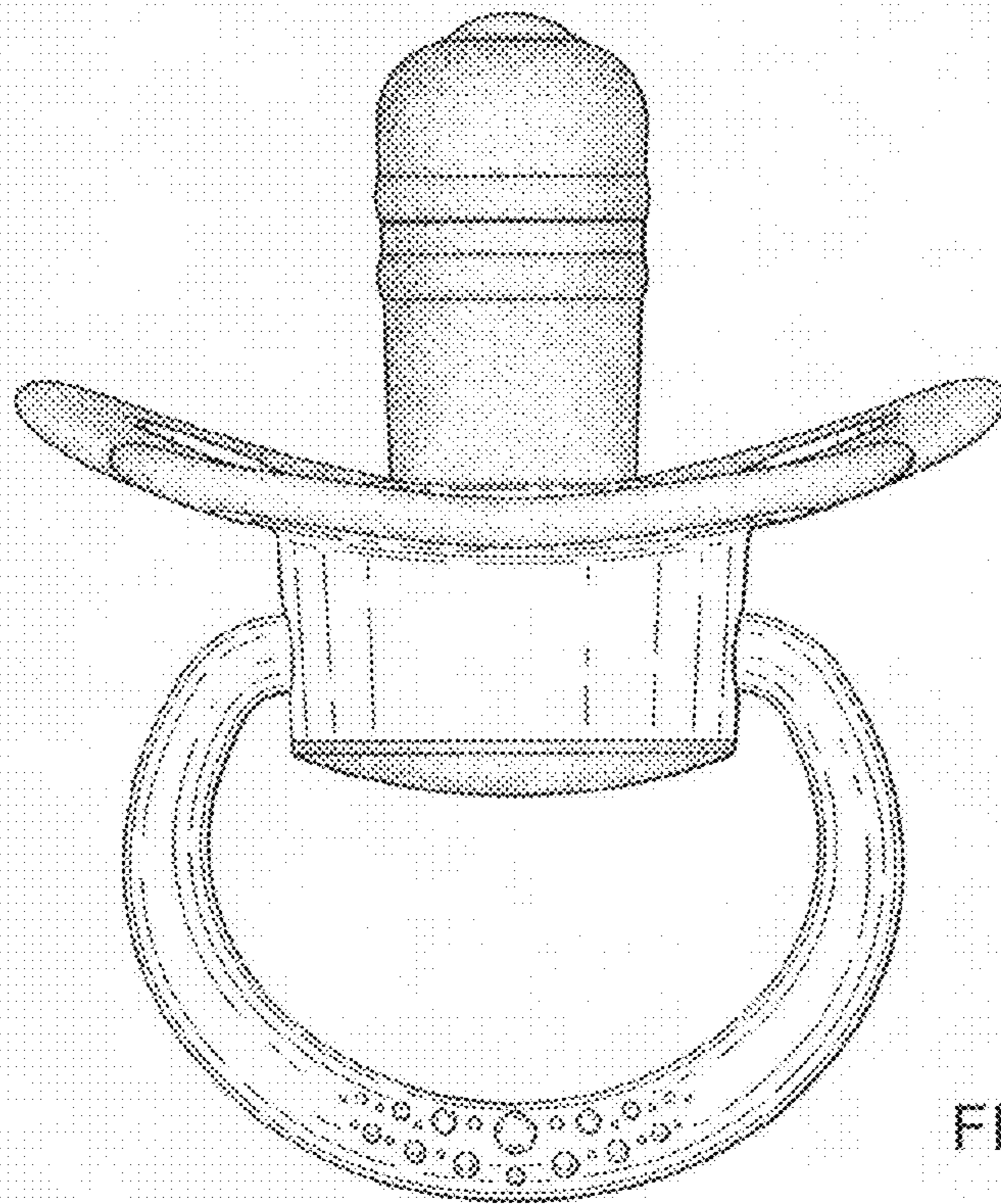


FIG. 7