



US00D574961S

(12) **United States Design Patent**
Kitahara et al.

(10) **Patent No.:** **US D574,961 S**
(45) **Date of Patent:** **** Aug. 12, 2008**

(54) **MEDICAL DEVICE FOR ULTRASONIC OBSERVATION**

D504,953 S * 5/2005 Ryan D24/200
D505,726 S * 5/2005 Ryan D24/200
D508,998 S * 8/2005 Ryan D24/200
D511,008 S * 10/2005 Ryan D24/186

(75) Inventors: **Toshihiro Kitahara**, Tachikawa (JP);
Yuki Wani, Machida (JP)

* cited by examiner

(73) Assignee: **Olympus Medical Systems Corp.**,
Tokyo (JP)

Primary Examiner—Robert A. Delehanty
Assistant Examiner—Mark Cavanna

(**) Term: **14 Years**

(74) *Attorney, Agent, or Firm*—Frishauf, Holtz, Goodman &
Chick, P.C.

(21) Appl. No.: **29/292,214**

(57) **CLAIM**

(22) Filed: **Oct. 3, 2007**

The ornamental design for a medical device for ultrasonic observation, as shown and described.

(30) **Foreign Application Priority Data**

DESCRIPTION

Apr. 5, 2007 (JP) 2007-009111

(51) **LOC (8) Cl.** **24-02**

(52) **U.S. Cl.** **D24/186**

(58) **Field of Classification Search** D24/133,
D24/144, 170, 185–186, 200; D10/81; 606/32;
422/99

FIG. 1 is a front, top and right side perspective view of a medical device for ultrasonic observation showing our new design;

See application file for complete search history.

FIG. 2 is a front elevational view thereof;

FIG. 3 is a rear elevational view thereof;

FIG. 4 is a top plan view thereof;

FIG. 5 is a bottom plan view thereof;

FIG. 6 is a right side elevational view thereof; and,

FIG. 7 is a left side elevational view thereof.

(56) **References Cited**

U.S. PATENT DOCUMENTS

D503,481 S * 3/2005 Ryan D24/200
D503,807 S * 4/2005 Ryan D24/200
D504,726 S * 5/2005 Ryan D24/200

1 Claim, 5 Drawing Sheets

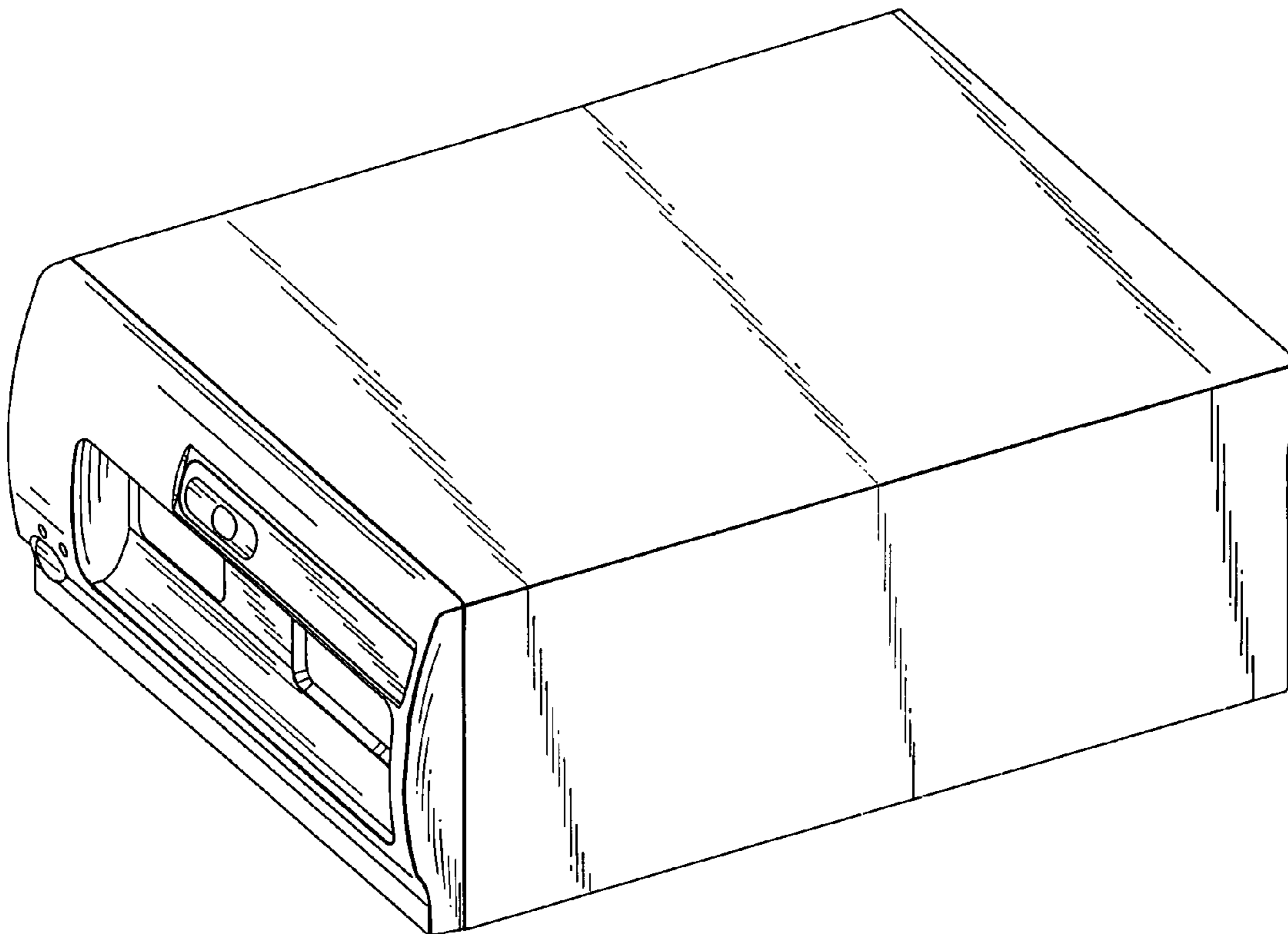


FIG. 1

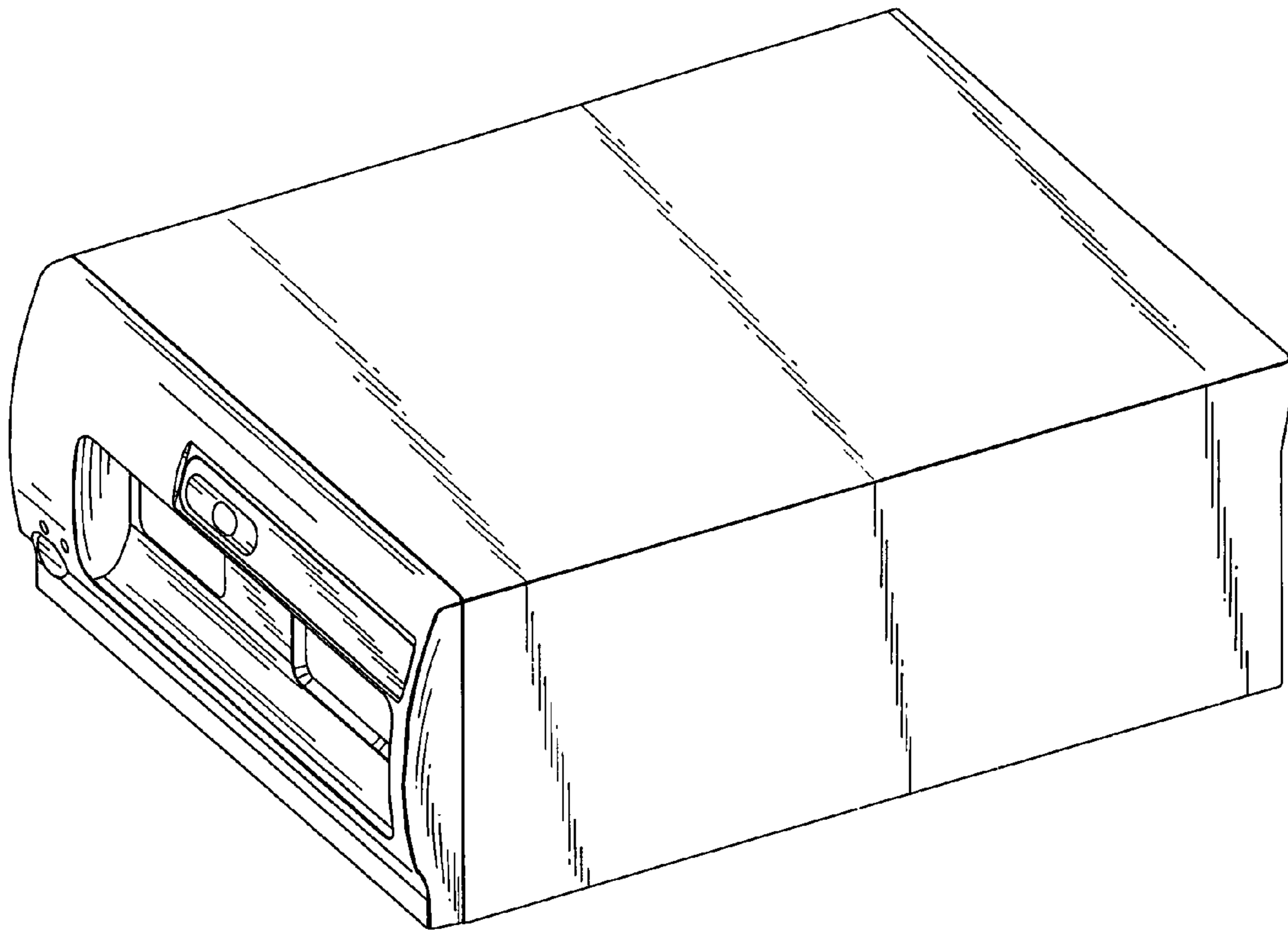


FIG.2

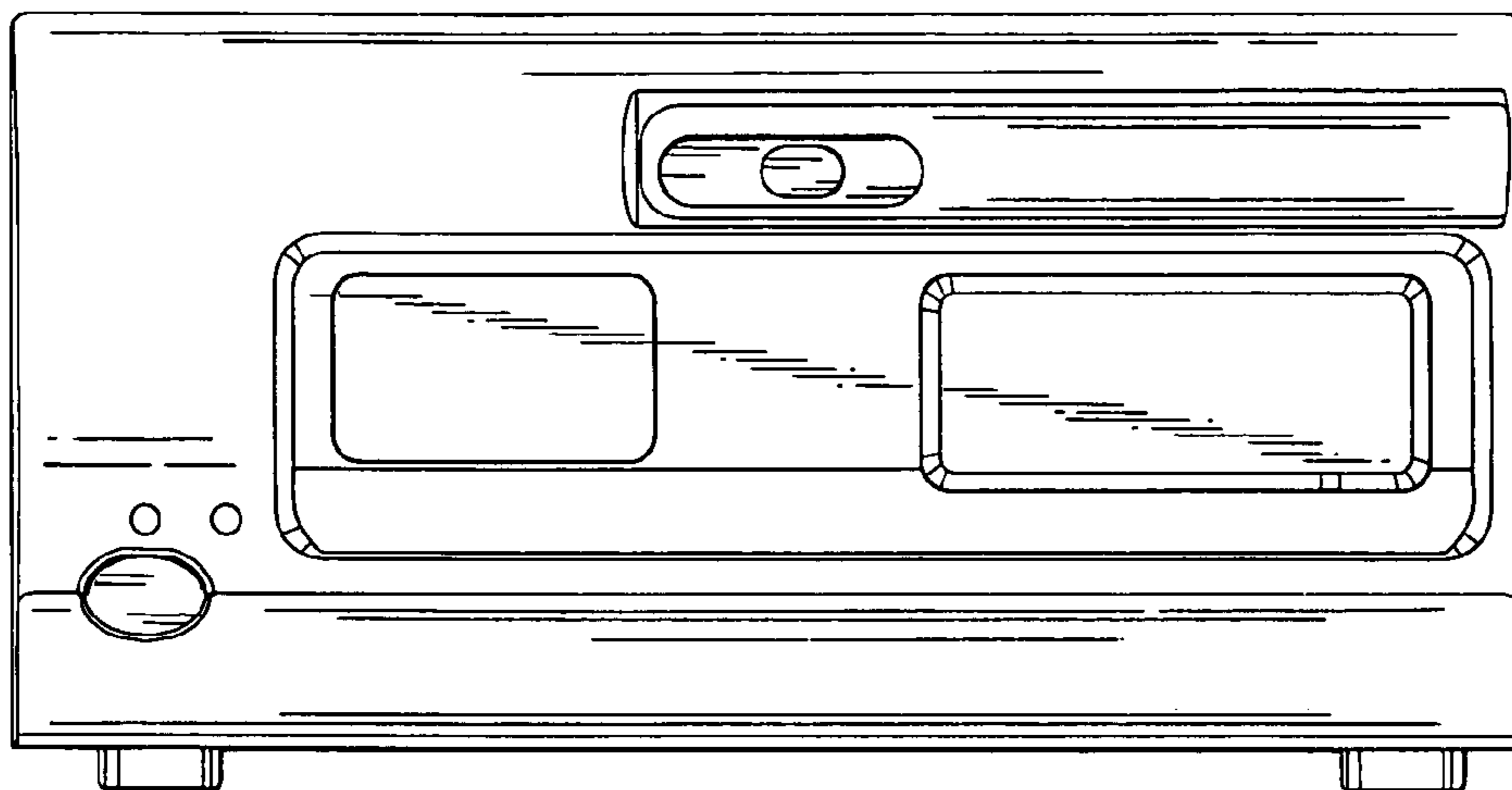


FIG.3

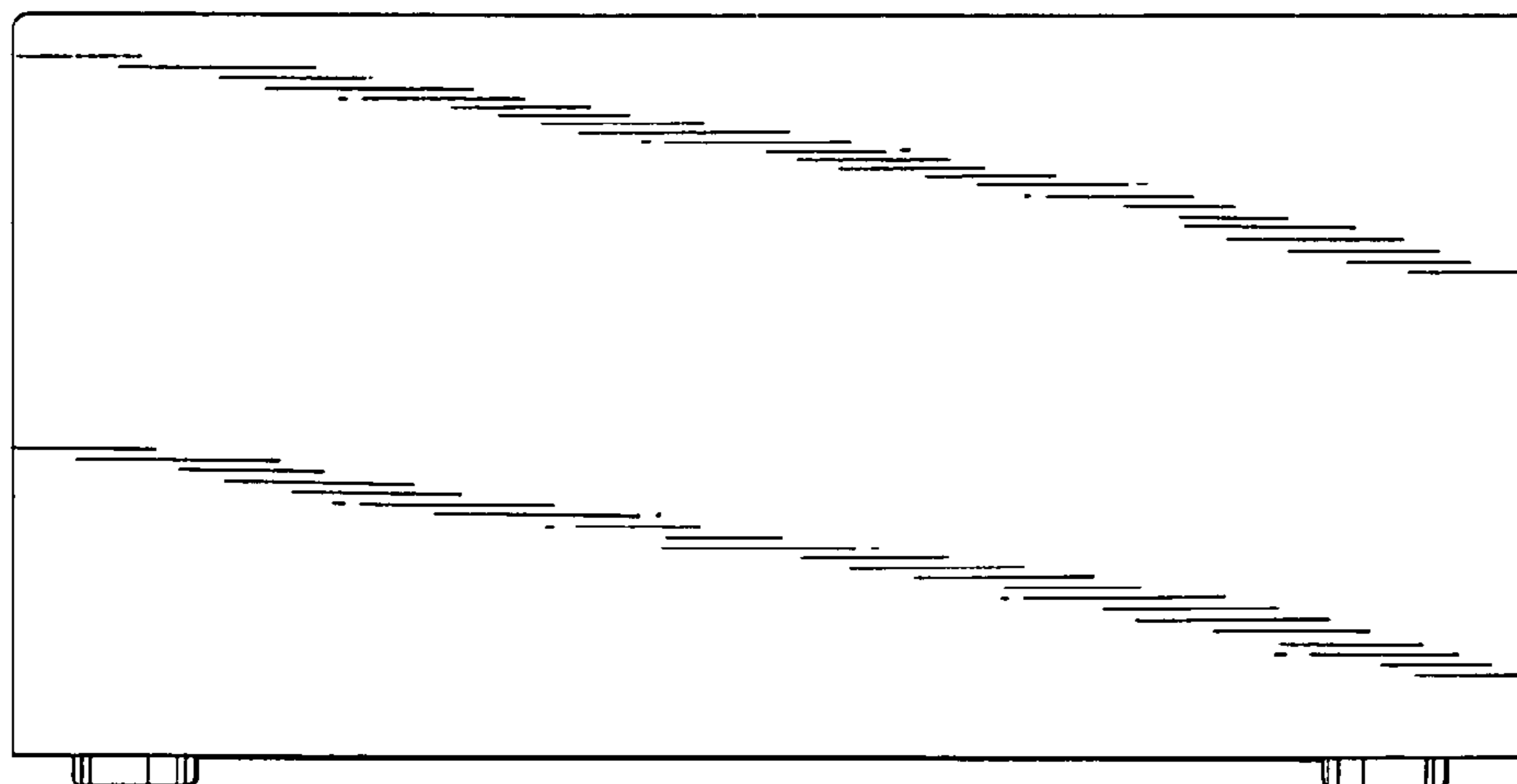


FIG.4

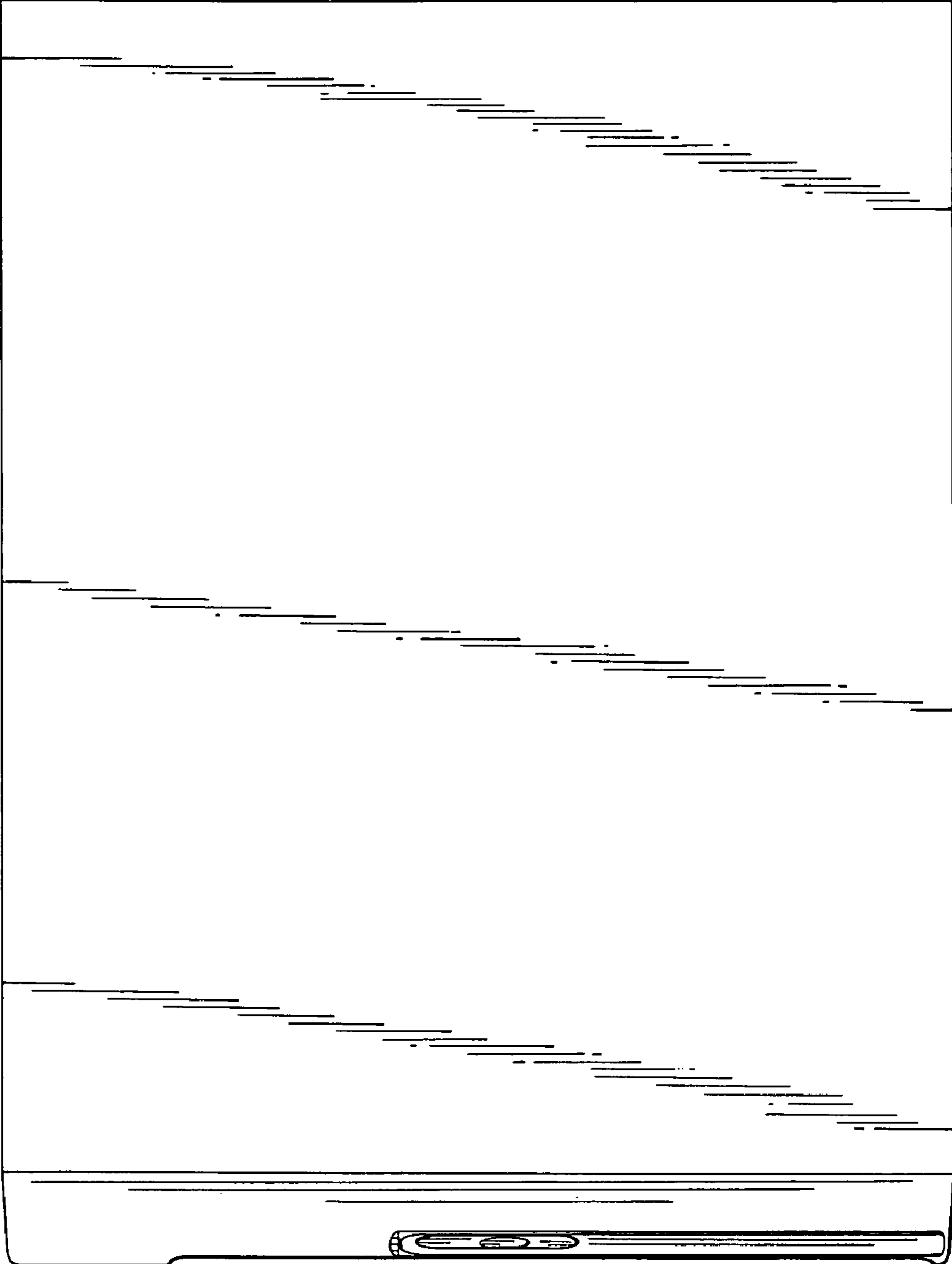


FIG.5

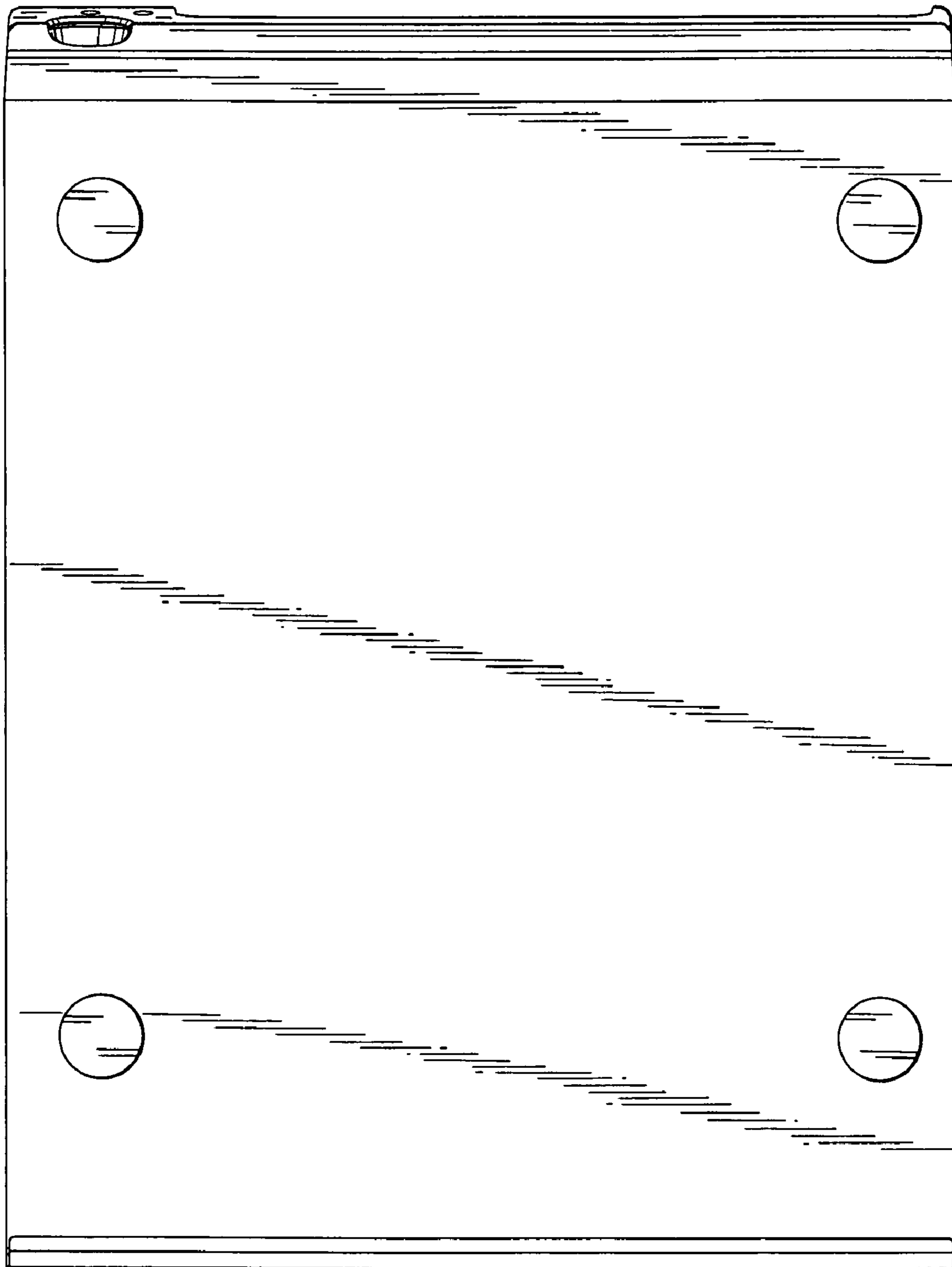


FIG.6

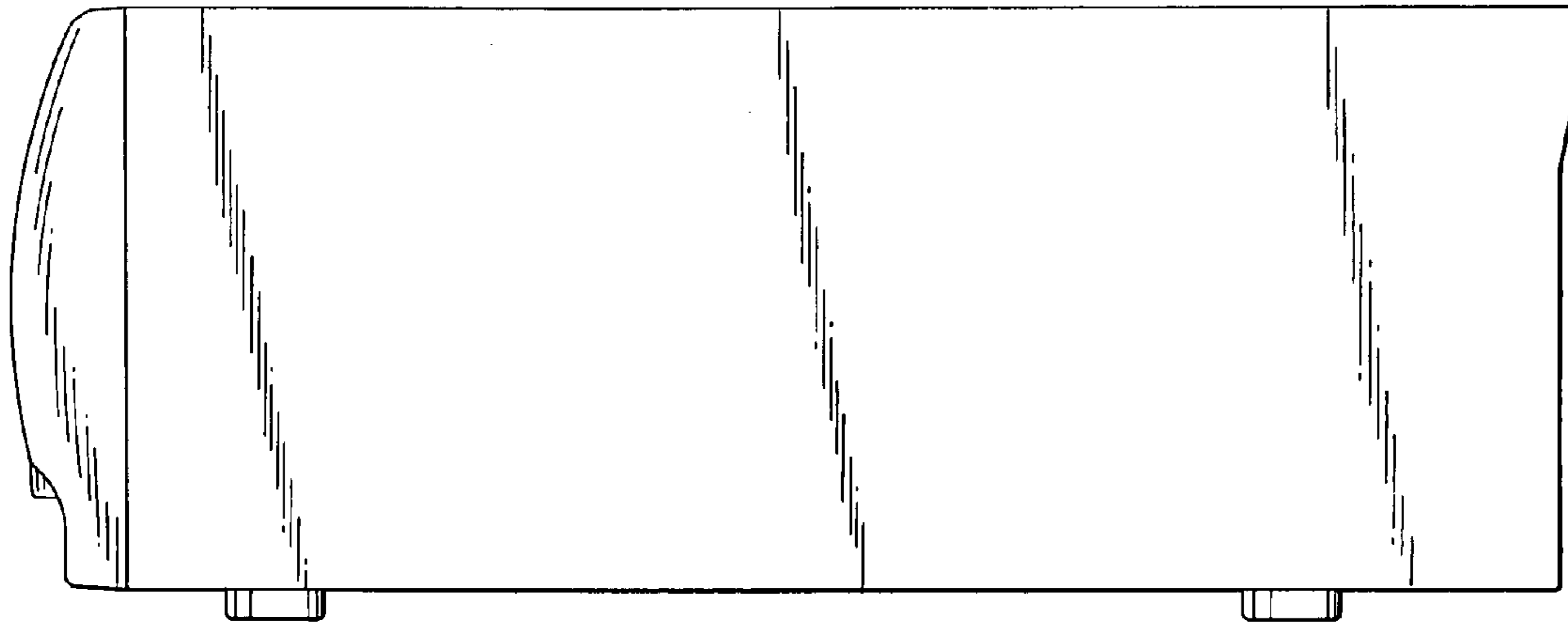


FIG.7

