



US00D574959S

(12) **United States Design Patent**
DeBraal et al.

(10) **Patent No.:** **US D574,959 S**
(45) **Date of Patent:** **** Aug. 12, 2008**

(54) **MEDICAL EXAMINATION TABLE**

(76) Inventors: **Jack A. DeBraal**, N6538 LeFerme Rd., Plymouth, WI (US) 53073; **Vanessa B. Parrish**, 1631 N. 57th St., Milwaukee, WI (US) 53208; **Richard S. Walters**, N209 Ter Maat Rd., Cedar Grove, WI (US) 53013; **Michael J. Bargiel**, 341 8th Ave., West Bend, WI (US) 53095; **Joey R. Karczewski**, 2664 S. 7th St., Milwaukee, WI (US) 53215; **Jake W. Myre**, 307 E. Maple Ave., Beaver Dam, WI (US) 53916; **Michael F. Hoft**, W143 N10545 Evergreen Cir., Germantown, WI (US) 53022; **Mark E. Jensen**, 3218 N. 8th St., Sheboygan, WI (US) 53083; **Scott I. Biba**, 5159 McCarthy Rd., Highland, WI (US) 53543; **Michael J. Marchant**, 6700 River Terrace Dr., Franklin, WI (US) 53132

(**) Term: **14 Years**
(21) Appl. No.: **29/289,637**
(22) Filed: **Jul. 26, 2007**

Related U.S. Application Data

(63) Continuation of application No. 29/235,159, filed on Jul. 28, 2005, now abandoned.
(51) **LOC (8) Cl.** **24-01**
(52) **U.S. Cl.** **D24/183**
(58) **Field of Classification Search** D24/178,
D24/183; D6/334-337, 360-361, 367-368;
D14/302-308; 5/600, 610, 612, 616-617;
312/209
See application file for complete search history.

(56) **References Cited**

U.S. PATENT DOCUMENTS

217,646 A 7/1879 Sherer

(Continued)

Primary Examiner—Robert A. Delehanty
Assistant Examiner—Mark Cavanna

(74) *Attorney, Agent, or Firm*—Ryan Kromholz & Manion, S.C.

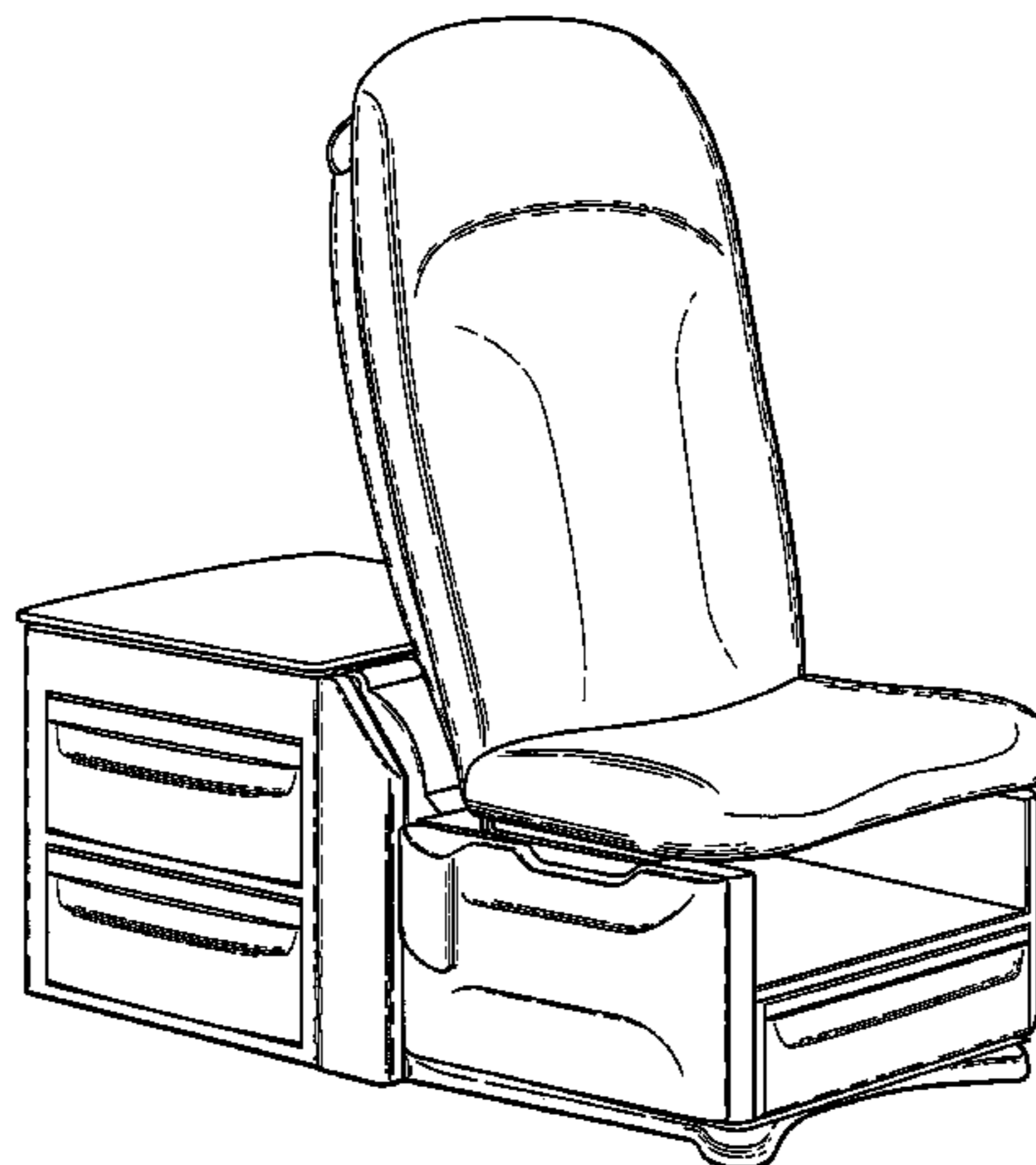
(57) **CLAIM**

The ornamental design for a medical examination table, as shown and described.

DESCRIPTION

FIG. 1 is a front perspective view of our medical examination table;
FIG. 2 is a perspective view similar to that of FIG. 1 with the patient support area in an elevated position;
FIG. 3 is another perspective view similar to FIG. 2 with the patient support area in an elevated and alternate position;
FIG. 4 is a left side elevation view, the right side being a mirror image thereof;
FIG. 5 is a left side elevation view similar to FIG. 4 with the patient support area in an elevated position, the right side being a mirror image thereof;
FIG. 6 is a left side elevation view similar to FIG. 5 with the patient support area in an elevated and alternate position, the right side being a mirror image thereof;
FIG. 7 is a front elevation view;
FIG. 8 is a front elevation view similar to FIG. 7 with the patient support area in an elevated position;
FIG. 9 is a front elevation view similar to FIG. 8 with the patient support area in an elevated and alternate position;
FIG. 10 is a rear elevation view;
FIG. 11 is a rear elevation view similar to FIG. 10 with the patient support area in an elevated position;
FIG. 12 is a rear elevation view similar to FIG. 11 with the patient support area in an elevated and alternate position;
FIG. 13 is a top plan view;
FIG. 14 is a top view similar to FIG. 13 with the patient support area in an elevated position; and,
FIG. 15 is a top plan view similar to FIG. 14 with the patient support area in an alternate position.

1 Claim, 6 Drawing Sheets



US D574,959 S

Page 2

U.S. PATENT DOCUMENTS					
			D265,241 S	6/1982	Patterson
			D265,242 S	6/1982	Patterson
			D266,023 S	8/1982	McLachlan
			D266,765 S	11/1982	Clune
			4,383,351 A	5/1983	Fenwick
			4,407,687 A	10/1983	Mitchell
			4,464,780 A	8/1984	Ruiz
			4,501,414 A	2/1985	Mason et al.
			4,506,872 A	3/1985	Westerberg et al.
			4,508,387 A	4/1985	Gilbert et al.
			D278,668 S	5/1985	Simpkins
			4,516,805 A	5/1985	Leeper et al.
			4,529,185 A	7/1985	Gutierrez
			4,540,165 A	9/1985	Green et al.
			4,545,628 A	10/1985	Richey
			4,547,092 A	10/1985	Vetter et al.
			4,552,403 A	11/1985	Yindra
			4,557,471 A	12/1985	Pazzini
			4,558,857 A	12/1985	Heller
			D282,398 S	1/1986	Yindra
			4,586,398 A	5/1986	Yindra
			4,586,762 A	5/1986	Kennedy et al.
			4,589,124 A	5/1986	Ruiz
			4,589,642 A	5/1986	Schnelle et al.
			4,600,248 A	7/1986	Pflieger
			4,602,756 A	7/1986	Chatfield
			4,606,575 A	8/1986	Kodet
			4,608,812 A	9/1986	Willson
			D286,481 S	11/1986	Case et al.
			4,653,129 A	3/1987	Kuck et al.
			4,665,574 A	5/1987	Filips et al.
			4,667,354 A	5/1987	Carey, Jr. et al.
			4,667,605 A	5/1987	Bastian
			4,691,393 A	9/1987	Kuck
			4,700,916 A	10/1987	Bastian et al.
			4,716,840 A	1/1988	Tringali et al.
			4,717,102 A	1/1988	Pflieger
			4,732,089 A	3/1988	Mueller
			4,732,430 A	3/1988	Byrns
			4,750,305 A	6/1988	Bastian
			4,752,977 A	6/1988	Smith et al.
			4,761,000 A	8/1988	Fisher et al.
			D297,597 S	9/1988	Simpkins et al.
			4,796,846 A	1/1989	Meier et al.
			4,805,365 A	2/1989	Bastian
			D300,657 S	4/1989	Simpkins et al.
			4,819,569 A	4/1989	Bastian et al.
			4,821,350 A	4/1989	Feldt
			D300,997 S	5/1989	Simpkins et al.
			4,826,117 A	5/1989	Bastian et al.
			4,826,221 A	5/1989	Harmon
			D301,925 S	6/1989	Simpkins et al.
			4,846,431 A	7/1989	Pflieger
			4,852,941 A	8/1989	Jones
			4,858,260 A	8/1989	Failor et al.
			4,865,303 A	9/1989	Hall
			4,872,656 A	10/1989	Brendgord et al.
			4,872,657 A	10/1989	Lussi
			4,905,266 A	2/1990	Kuck et al.
			4,913,413 A	4/1990	Raab
			4,916,725 A	4/1990	Quinter et al.
			4,937,902 A	7/1990	Ceike Shapiro
			4,956,592 A	9/1990	Schulte et al.
			4,958,816 A	9/1990	Chaney et al.
			4,961,610 A	10/1990	Reeder et al.
			4,966,351 A	10/1990	Klepacki
			4,968,013 A	11/1990	Kuck
			4,973,034 A	11/1990	Michele
			4,989,848 A	2/1991	Monroe
			4,995,067 A	2/1991	Royster et al.
			4,996,731 A	3/1991	Kruyt
			5,005,667 A	4/1991	Anderson
			5,016,268 A	5/1991	Lotman

US D574,959 S

Page 3

D319,158 S	8/1991	Jones et al.	5,924,960 A	7/1999	Cohen
5,037,053 A	8/1991	Fox et al.	5,926,876 A	7/1999	Haigh et al.
D321,097 S	10/1991	Jones et al.	5,953,773 A	9/1999	Asada et al.
D322,855 S	12/1991	Tabuchi	D417,098 S	11/1999	Teufel et al.
5,078,349 A	1/1992	Smith	D417,571 S	12/1999	Teufel et al.
5,081,808 A	1/1992	Bastian et al.	D418,225 S	12/1999	Simpkins et al.
5,084,927 A	2/1992	Parkevich	D420,225 S	2/2000	Lamb et al.
D326,381 S	5/1992	Heiligenthal et al.	6,023,800 A	2/2000	Stickley
5,157,787 A	10/1992	Donnellan et al.	6,038,718 A	3/2000	Pennington et al.
D330,771 S	11/1992	Chaney et al.	D423,104 S	4/2000	Pachal et al.
D330,813 S	11/1992	Spitzer et al.	6,073,284 A	6/2000	Borders
5,166,968 A	11/1992	Morse	D428,629 S	7/2000	Cohen
D333,736 S	3/1993	Nordstrom	6,101,652 A	8/2000	Matern, Jr.
5,203,135 A	4/1993	Bastian	6,106,065 A	8/2000	Carroll
D335,409 S	5/1993	Kellems	6,115,978 A	9/2000	Bastian et al.
5,208,928 A	5/1993	Kuck et al.	6,131,214 A	10/2000	Moening et al.
5,223,229 A	6/1993	Brucker	D436,175 S	1/2001	Tumey et al.
5,231,719 A	8/1993	Schnelle	D436,176 S	1/2001	Fanuzzi
D341,737 S	11/1993	Shepherd	6,173,461 B1	1/2001	Alexander
5,269,326 A	12/1993	Verrier	D438,623 S	3/2001	Tantau
5,279,011 A	1/1994	Schnelle	6,202,230 B1	3/2001	Borders
D344,802 S	3/1994	Kuck et al.	6,209,463 B1	4/2001	Koharchik et al.
D345,266 S	3/1994	Koguma	6,212,713 B1	4/2001	Kuck et al.
5,329,657 A	7/1994	Bartley et al.	6,230,343 B1	5/2001	Buiskool et al.
5,339,750 A	8/1994	Smies	6,237,172 B1	5/2001	Morgan, Sr.
5,345,632 A	9/1994	Langenaeken et al.	6,240,579 B1	6/2001	Hanson et al.
5,348,375 A	9/1994	Steininger	6,256,812 B1	7/2001	Bartow et al.
D351,742 S	10/1994	Phleps et al.	6,264,006 B1	7/2001	Hanson et al.
5,369,825 A	12/1994	Reesby	6,276,012 B2	8/2001	Borders
5,369,827 A	12/1994	Parke et al.	6,289,537 B1	9/2001	Hopper et al.
5,403,549 A	4/1995	McNeil et al.	6,295,671 B1	10/2001	Reesby et al.
5,426,795 A	6/1995	Harty	6,345,193 B2	2/2002	Dutto et al.
D361,438 S	8/1995	Spencer et al.	6,351,678 B1	2/2002	Borders
D361,900 S	9/1995	van den Heuvel	6,353,949 B1	3/2002	Falbo
D365,224 S	12/1995	Pohlman	6,363,555 B1	4/2002	LaRose
5,472,270 A	12/1995	Czarnecky et al.	6,374,133 B1	4/2002	Dutto et al.
5,496,105 A	3/1996	Czarnecky et al.	D457,239 S	5/2002	Kunik
5,507,050 A	4/1996	Welner	6,382,725 B1	5/2002	Carroll
D370,572 S	6/1996	Lin	D458,780 S	6/2002	Siepmann et al.
5,528,782 A	6/1996	Pfeuffer et al.	D461,899 S	8/2002	Siepmann et al.
5,538,215 A	7/1996	Hosey	D461,900 S	8/2002	Siepmann et al.
5,564,662 A	10/1996	Lussi et al.	D462,189 S	9/2002	Brockway et al.
5,564,663 A	10/1996	Cook et al.	D462,445 S	9/2002	Barde et al.
5,565,834 A	10/1996	Hanley et al.	D462,674 S	9/2002	Siepmann et al.
5,568,209 A	10/1996	Priester et al.	D463,861 S	10/2002	Siepmann et al.
5,568,817 A	10/1996	Harty	6,505,364 B2	1/2003	Simmons et al.
D378,613 S	3/1997	Sundstrom	D473,312 S	4/2003	Cook
D378,961 S	4/1997	Nordstrom et al.	6,546,577 B1	4/2003	Chinn
D379,409 S	5/1997	Schwaegerle et al.	6,550,084 B2	4/2003	Siepmann et al.
5,628,078 A	5/1997	Pennington et al.	6,568,008 B2	5/2003	Siepmann et al.
5,638,644 A	6/1997	Bastian	6,638,299 B2	10/2003	Cox
5,645,313 A	7/1997	Best et al.	6,651,279 B1	11/2003	Muthuvelan
5,655,238 A	8/1997	Stickley et al.	6,659,556 B2	12/2003	Pellerin
5,660,405 A	8/1997	Campbell	6,678,908 B2	1/2004	Borders et al.
5,661,859 A	9/1997	Schaefer	6,681,423 B2	1/2004	Zachrisson
5,678,267 A	10/1997	Kinder	D487,360 S	3/2004	Lacina
5,680,957 A	10/1997	Liu	6,739,006 B2	5/2004	Borders et al.
D386,634 S	11/1997	Daug	6,754,923 B2	6/2004	Borders et al.
5,689,999 A	11/1997	Wiley et al.	6,769,145 B1	8/2004	Pfeuffer et al.
5,706,678 A	1/1998	Sasaki	D495,510 S	9/2004	Lacina
5,754,997 A	5/1998	Lussi et al.	D496,105 S	9/2004	Walters et al.
5,771,513 A	6/1998	Kirchgeorg et al.	D496,462 S	9/2004	Walters et al.
5,781,943 A	7/1998	Moening et al.	6,802,564 B2	10/2004	Brockway et al.
5,855,207 A	1/1999	Moening et al.	6,832,398 B2	12/2004	Borders et al.
5,860,899 A	1/1999	Rassman	6,843,182 B2	1/2005	Torcheboeuf
D404,945 S	2/1999	Simpkins et al.	6,857,147 B2	2/2005	Somasundaram
D405,284 S	2/1999	van den Heuvel	6,874,182 B2	4/2005	L'Hegar et al.
D408,537 S	4/1999	Stickley et al.	6,886,199 B1	5/2005	Schwaegerle
D408,538 S	4/1999	Simpkins et al.	6,886,200 B2	5/2005	Blyshak et al.
D408,539 S	4/1999	Simpkins	2001/0000363 A1	4/2001	Borders
D410,084 S	5/1999	Tumey et al.	2001/0003789 A1	6/2001	Dutto et al.
5,913,773 A	6/1999	Cox	2002/0000008 A1	1/2002	Borders
5,919,131 A	7/1999	Smoler et al.	2002/0170115 A1	11/2002	Borders et al.

US D574,959 S

Page 4

2002/0170116	A1	11/2002	Borders et al.	2004/0148703	A1	8/2004	Doering et al.
2003/0061662	A1	4/2003	Strobel et al.	2004/0172756	A1	9/2004	Somasundaram
2003/0071503	A1	4/2003	Brockway et al.	2004/0172757	A1	9/2004	Somasundaram
2003/0074735	A1	4/2003	Zachrisson	2004/0261176	A1	12/2004	Plannerer
2003/0145383	A1	8/2003	Schwaegerle	2004/0261178	A1	12/2004	Gnoyke
2004/0068797	A1	4/2004	Smith et al.	2005/0015878	A1	1/2005	Bannister et al.
2004/0074002	A1	4/2004	Bannister	2005/0077850	A1	4/2005	Treon
2004/0074003	A1	4/2004	Bannister	2005/0077852	A1	4/2005	Treon
2004/0083549	A1	5/2004	L'Hegarat et al.	2005/0077861	A1	4/2005	Treon
2004/0098804	A1	5/2004	Varadharajulu et al.	2005/0081294	A1	4/2005	Wolters
2004/0133979	A1	7/2004	Newkirk et al.	2005/0097675	A1	5/2005	Borders et al.
2004/0143904	A1	7/2004	Borders et al.				

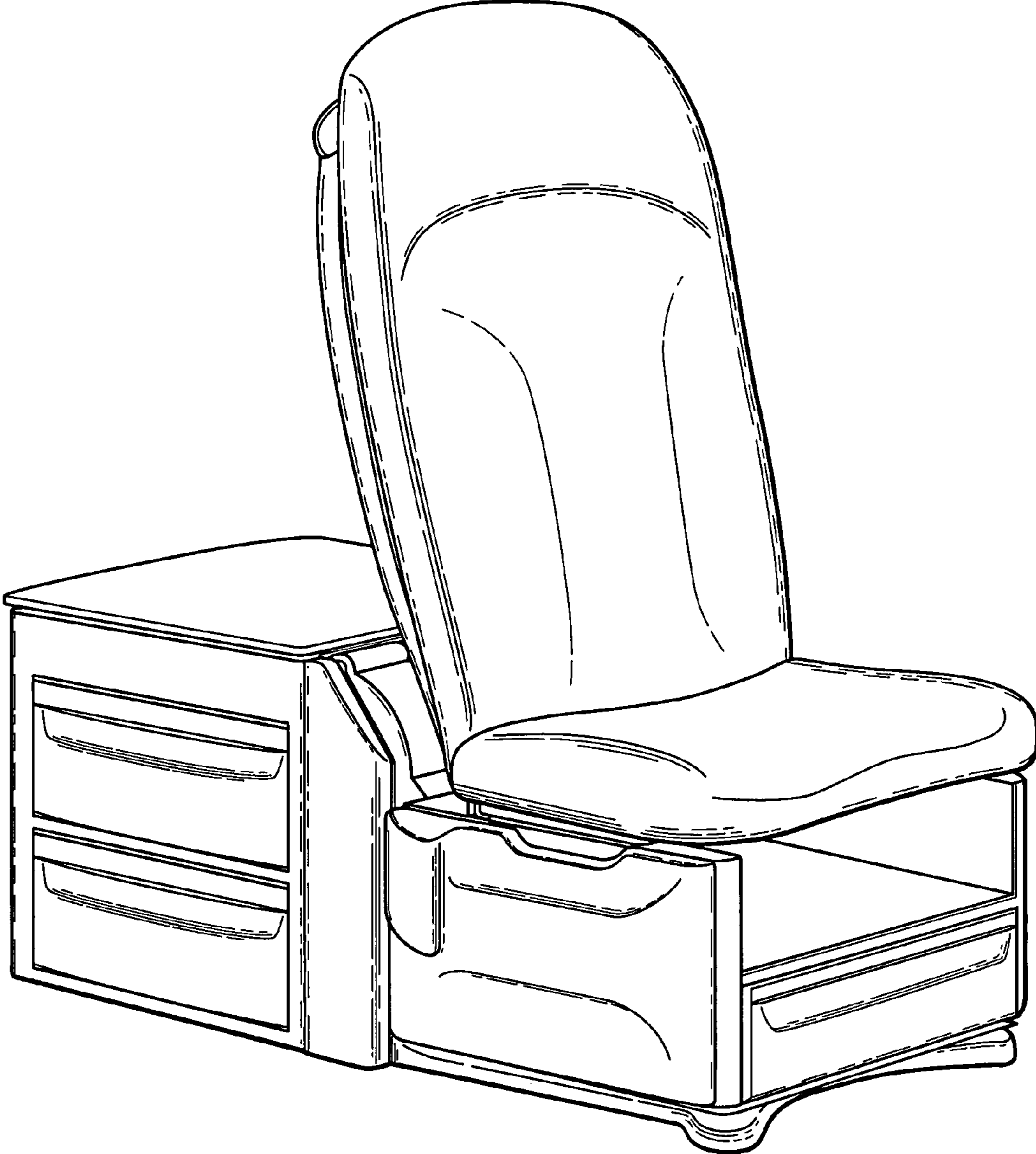


Fig. 1

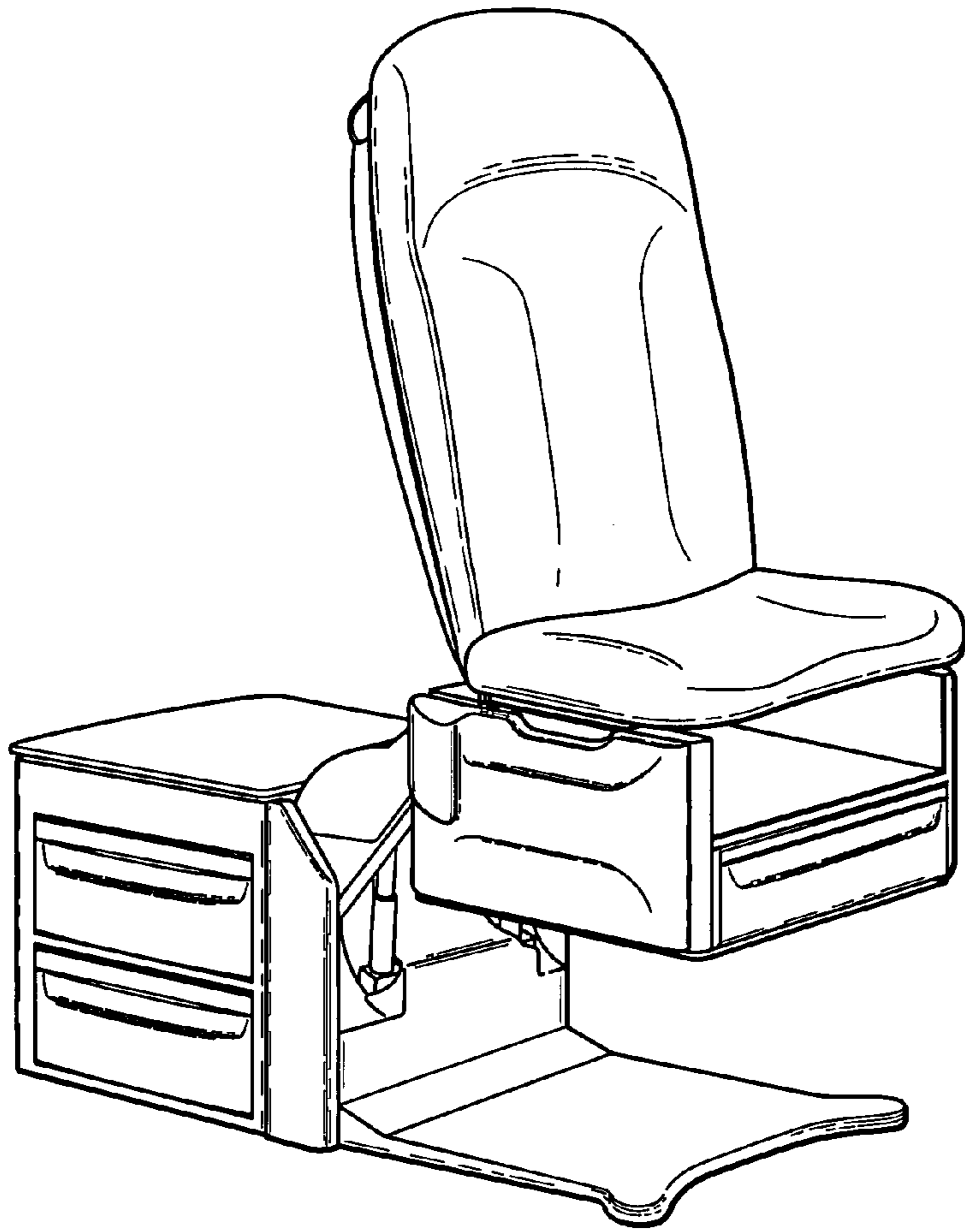


Fig. 2

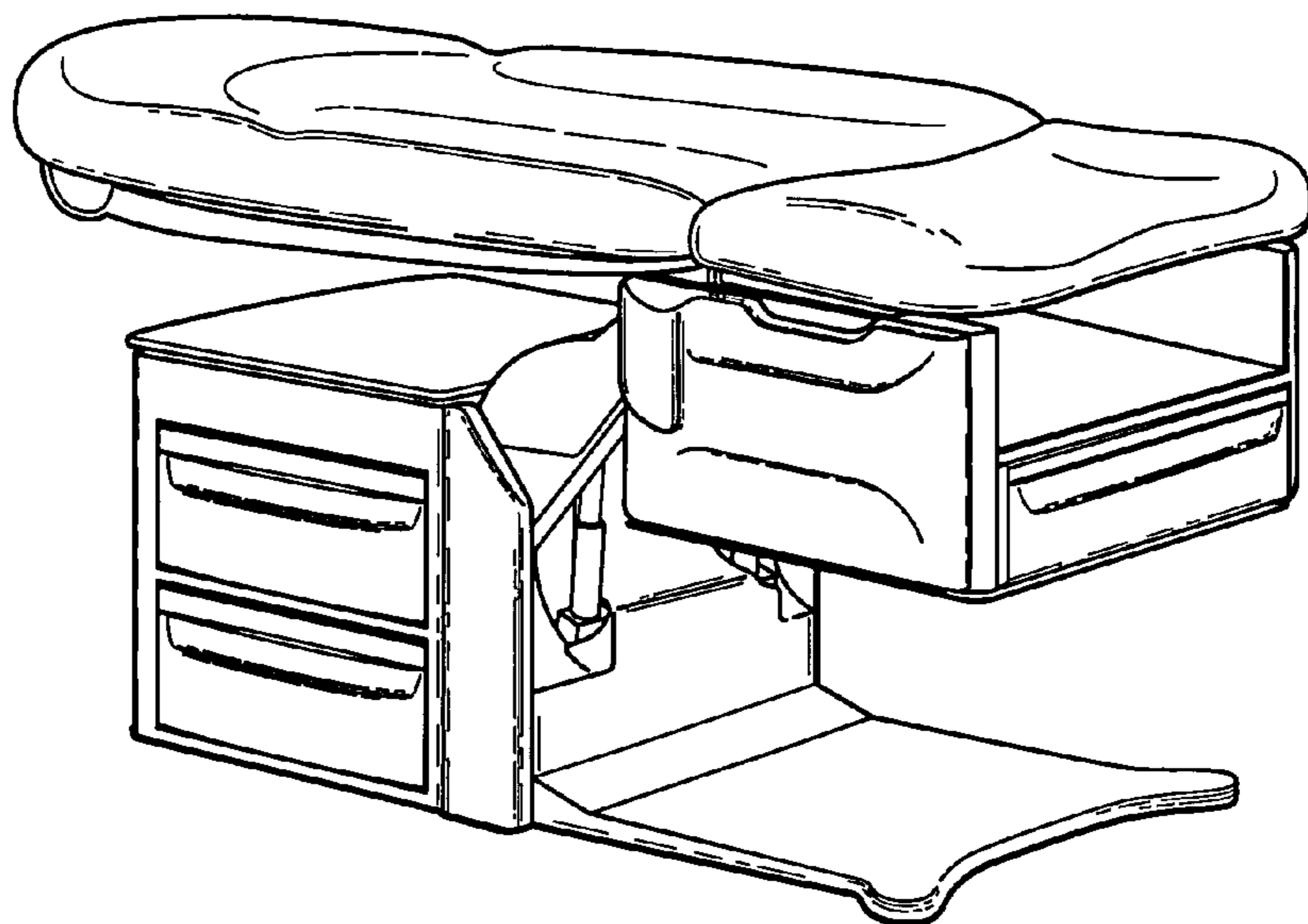


Fig. 3

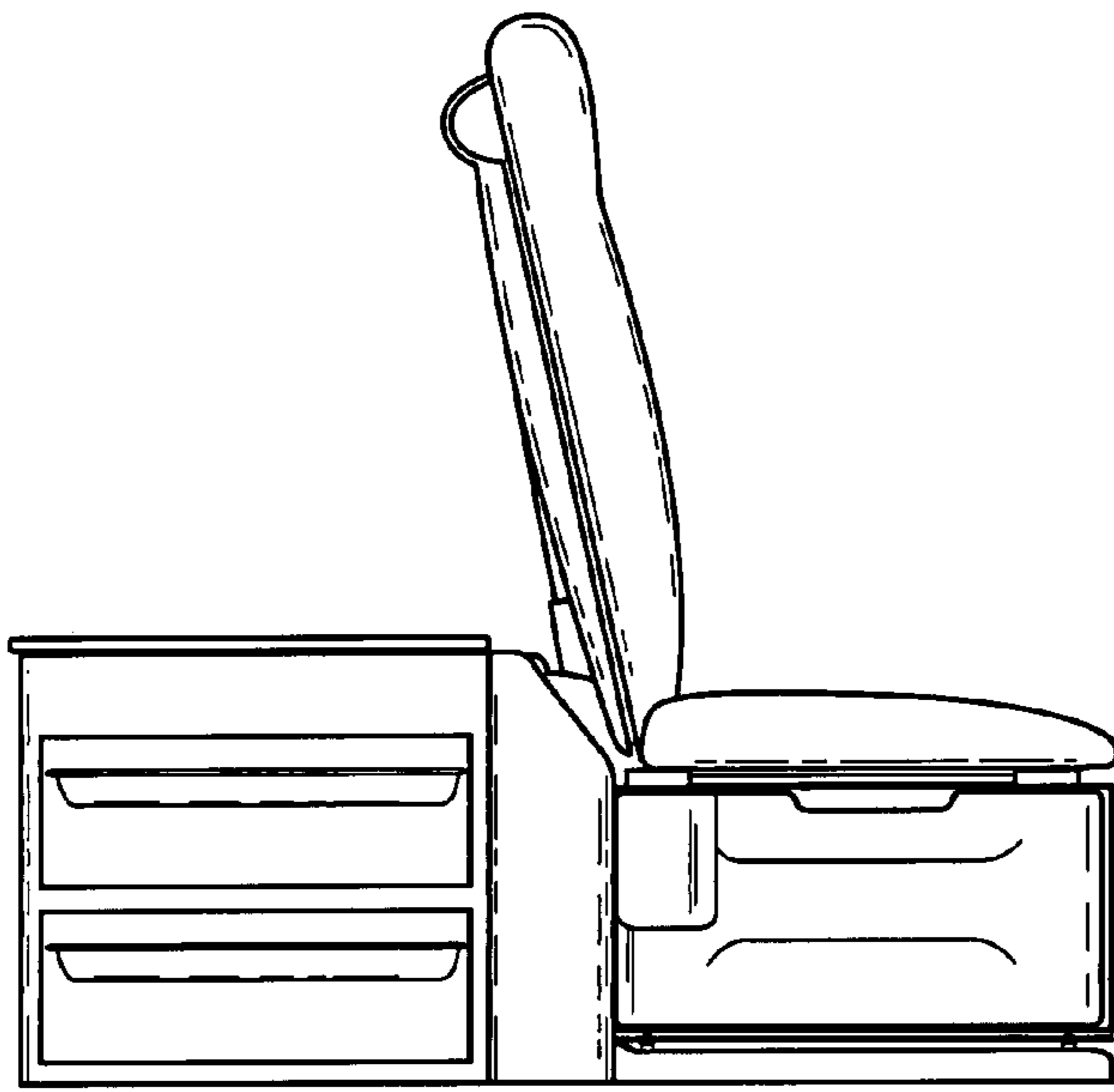


Fig. 4

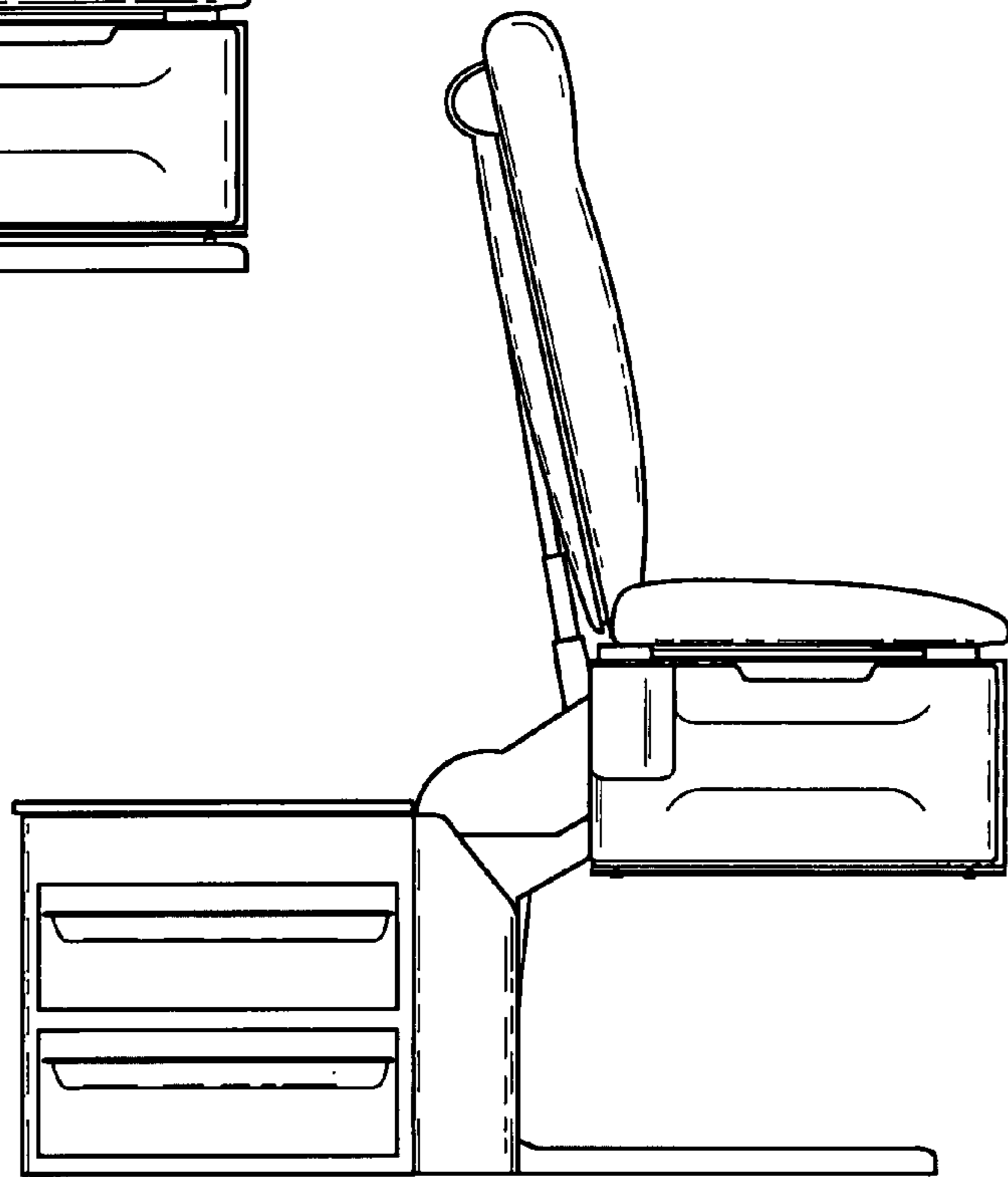


Fig. 5

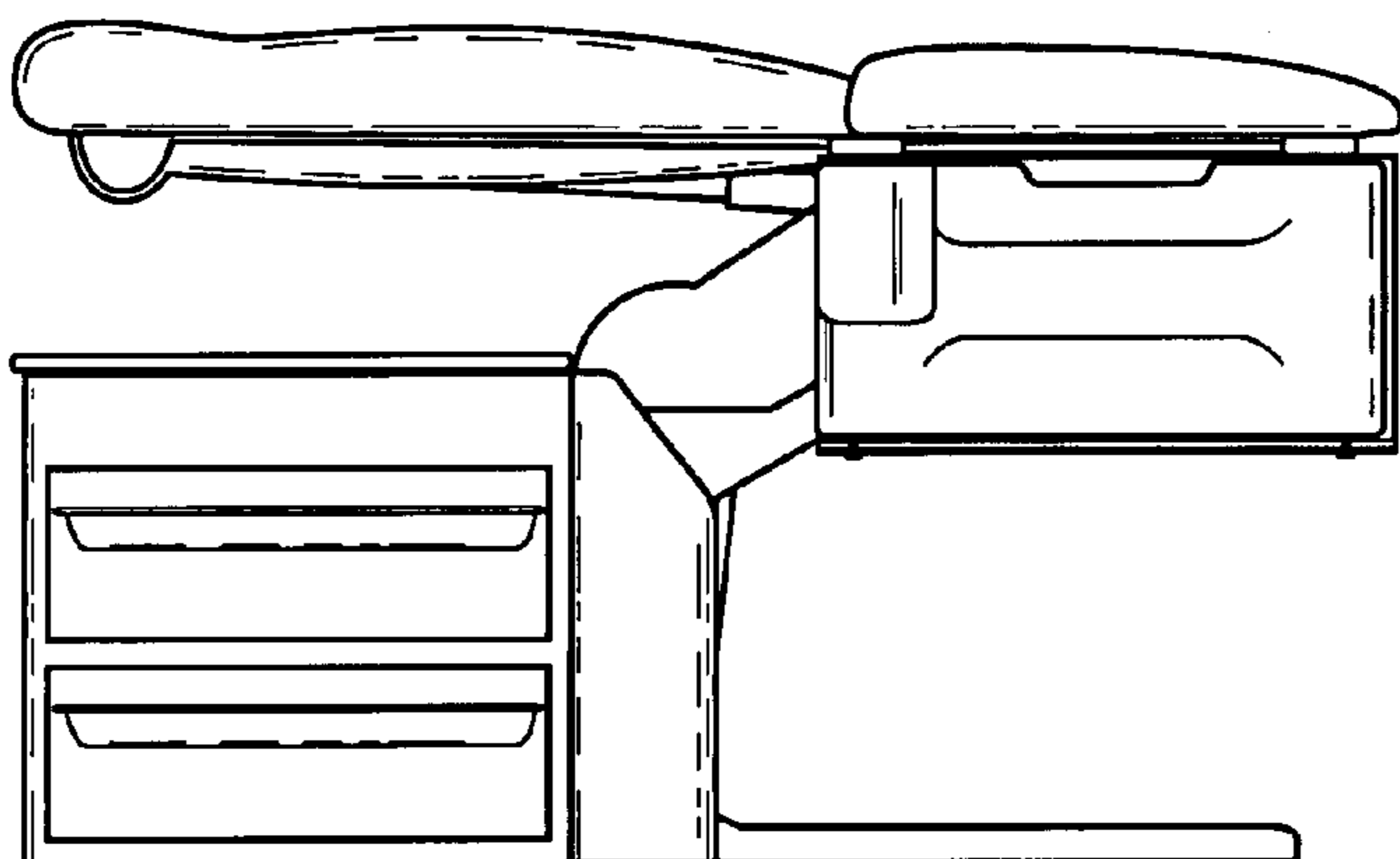


Fig. 6

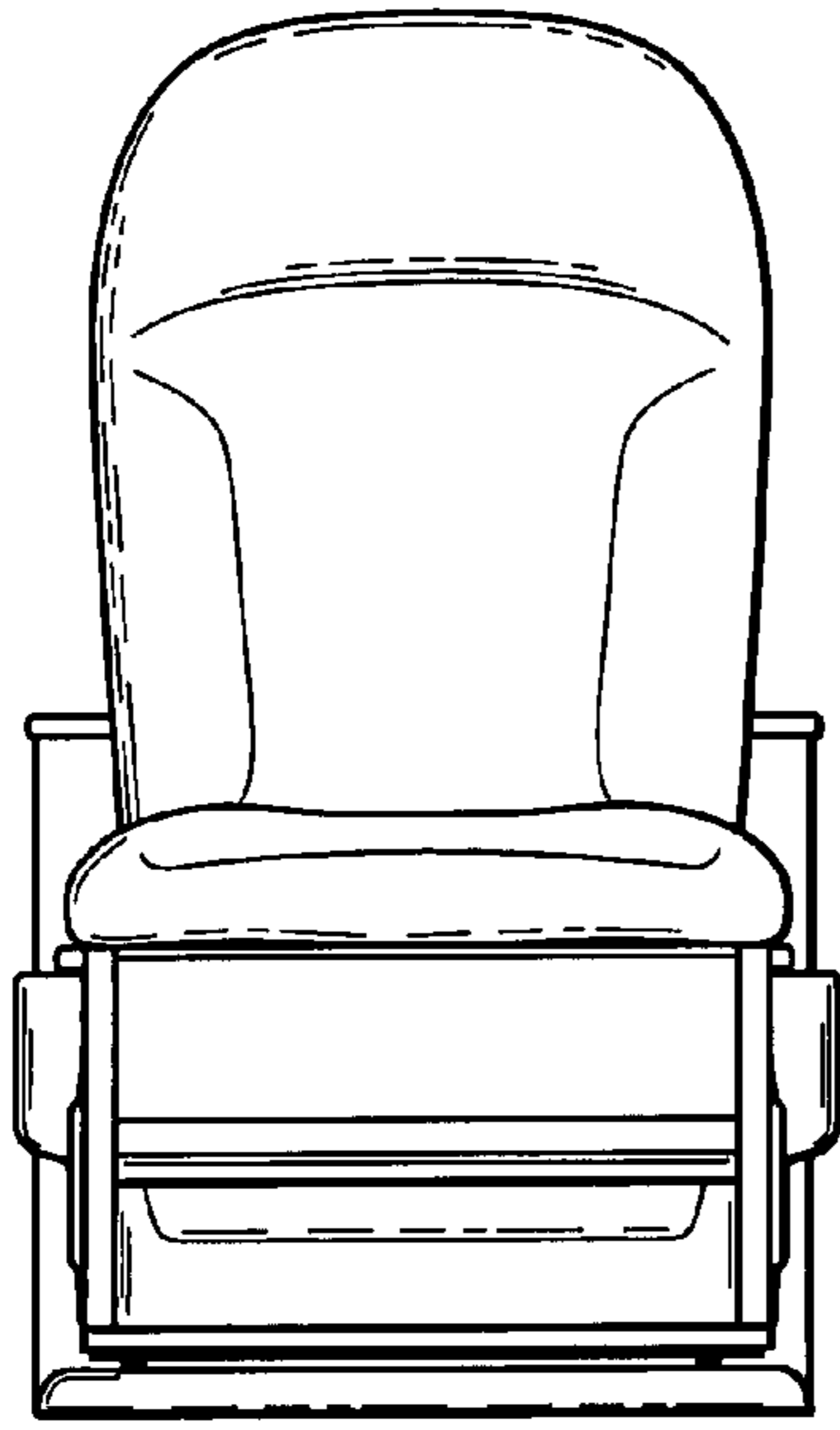


Fig. 7

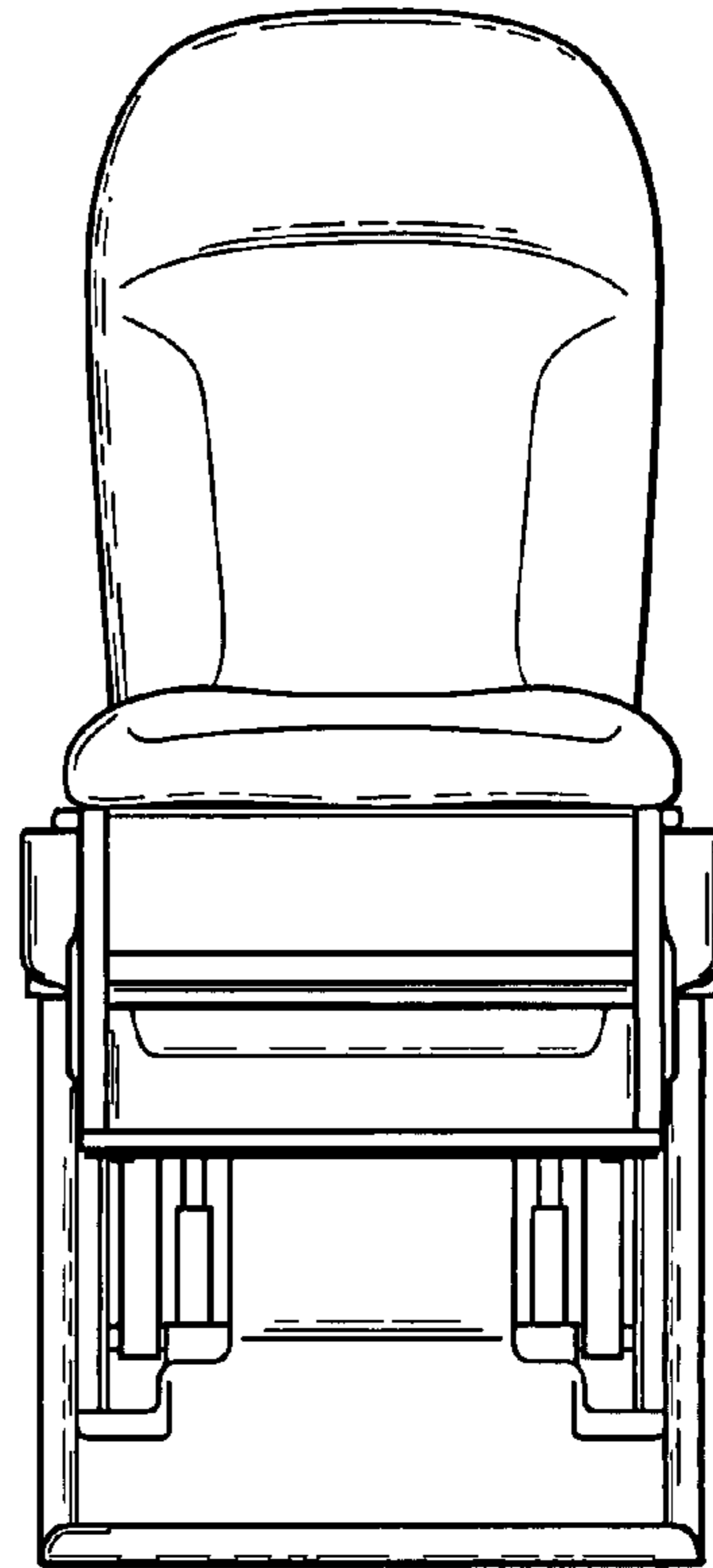


Fig. 8

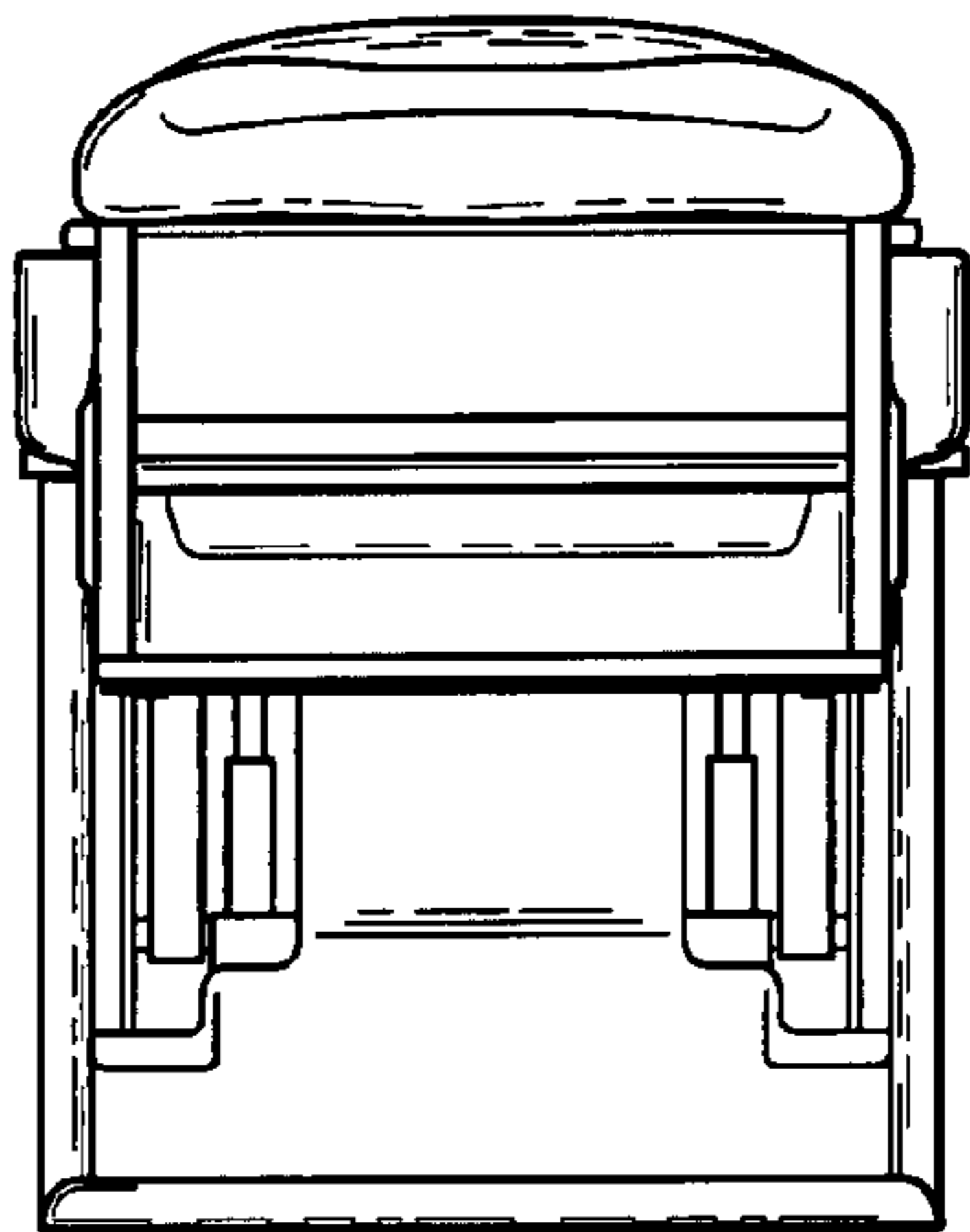


Fig. 9

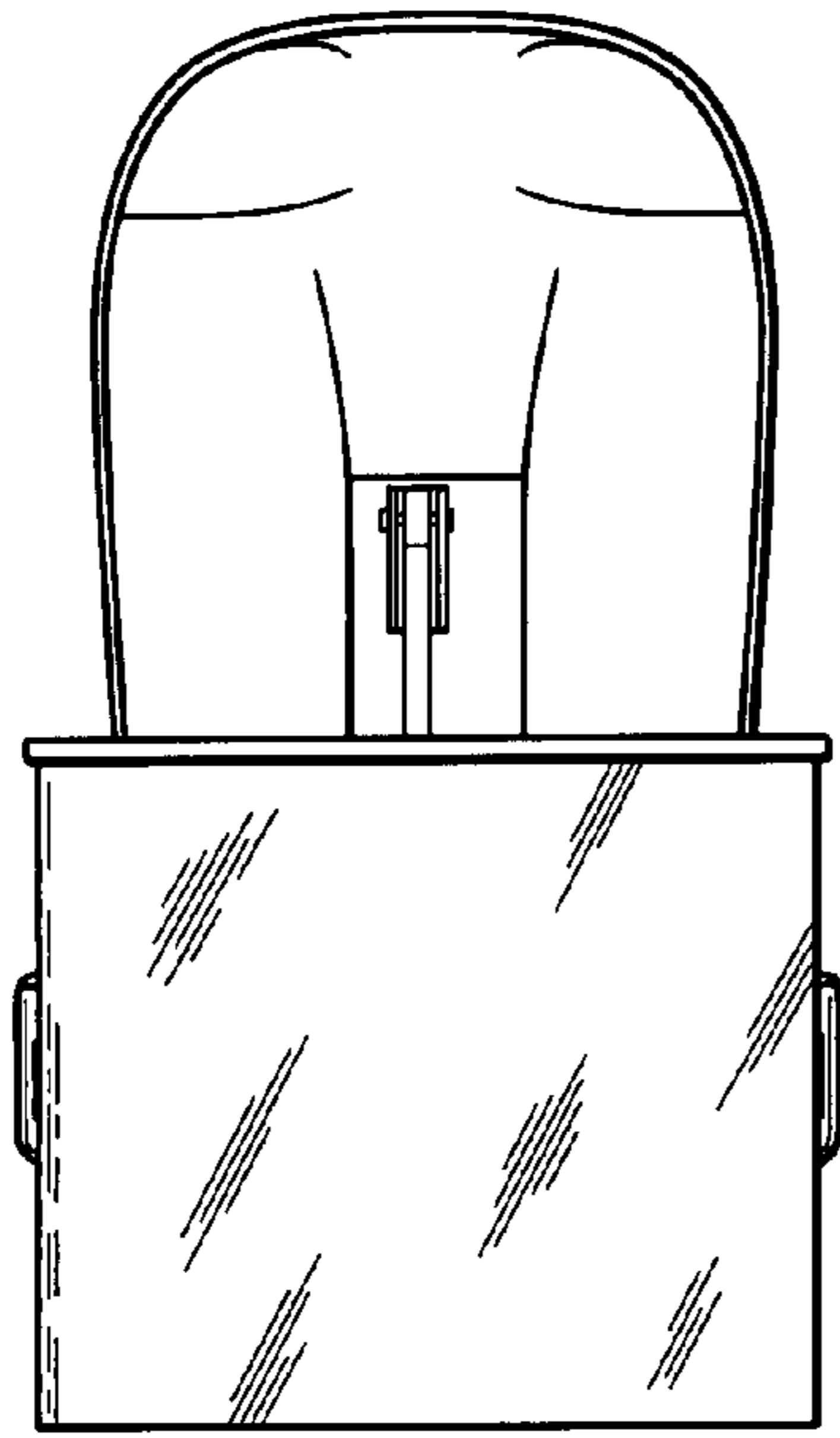


Fig. 10

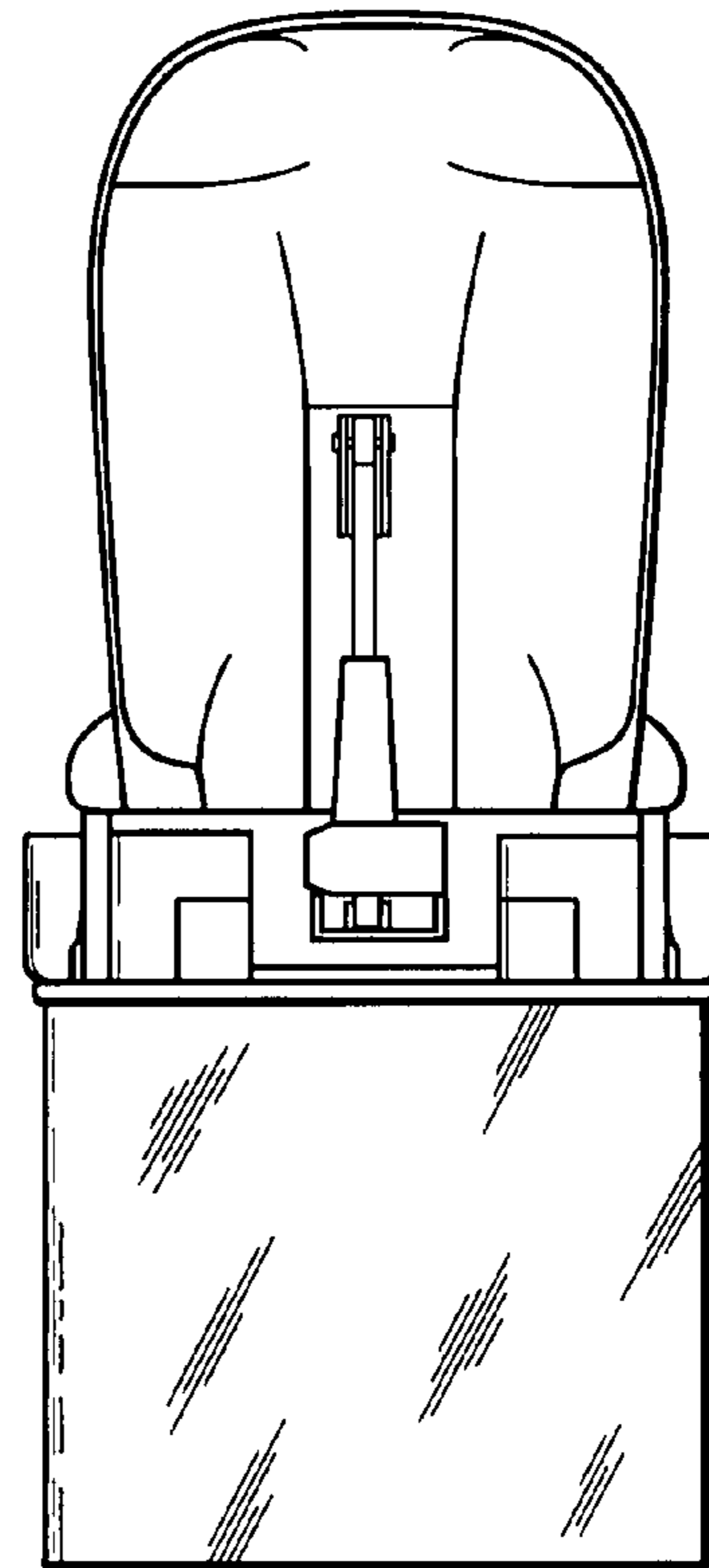


Fig. 11

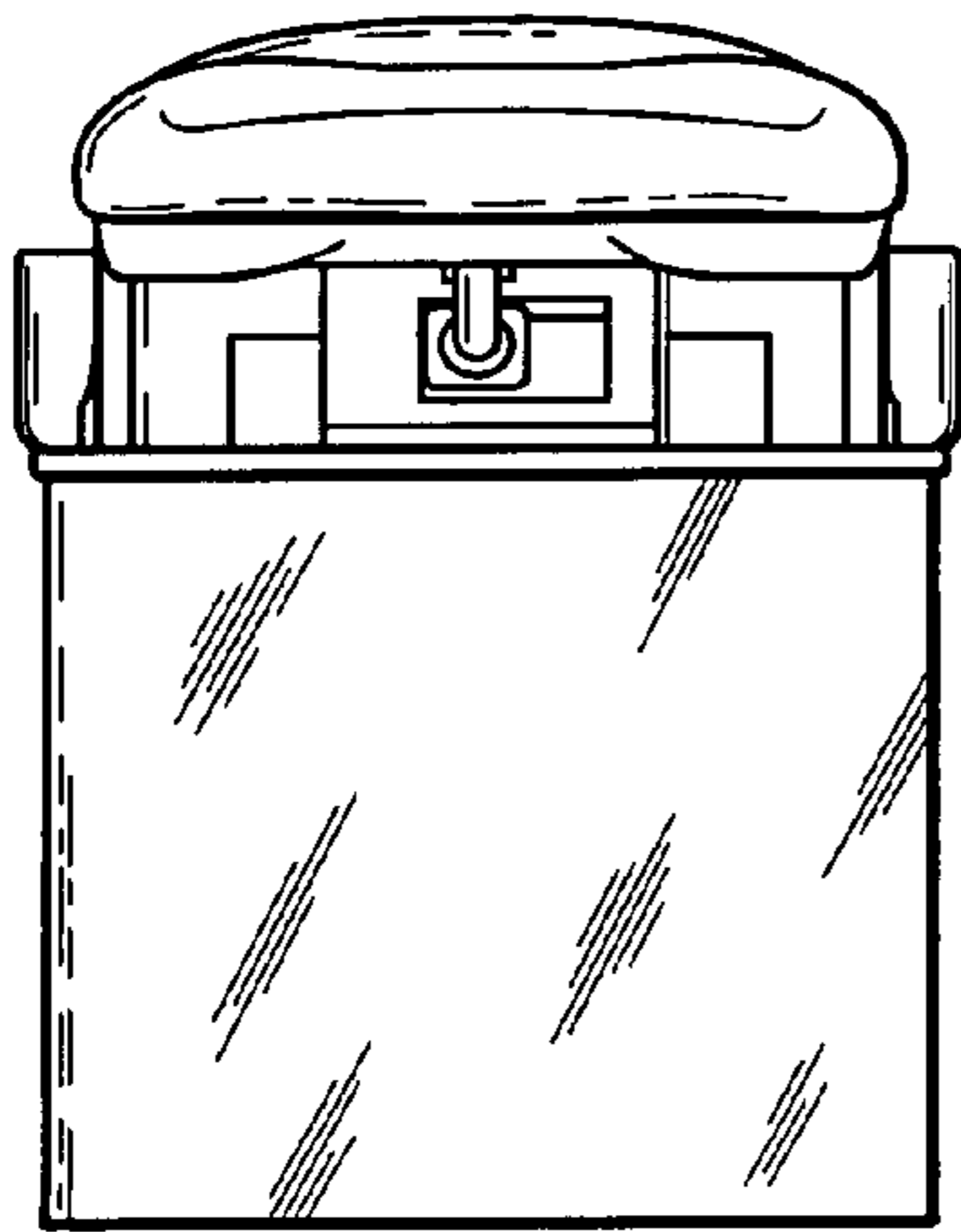


Fig. 12

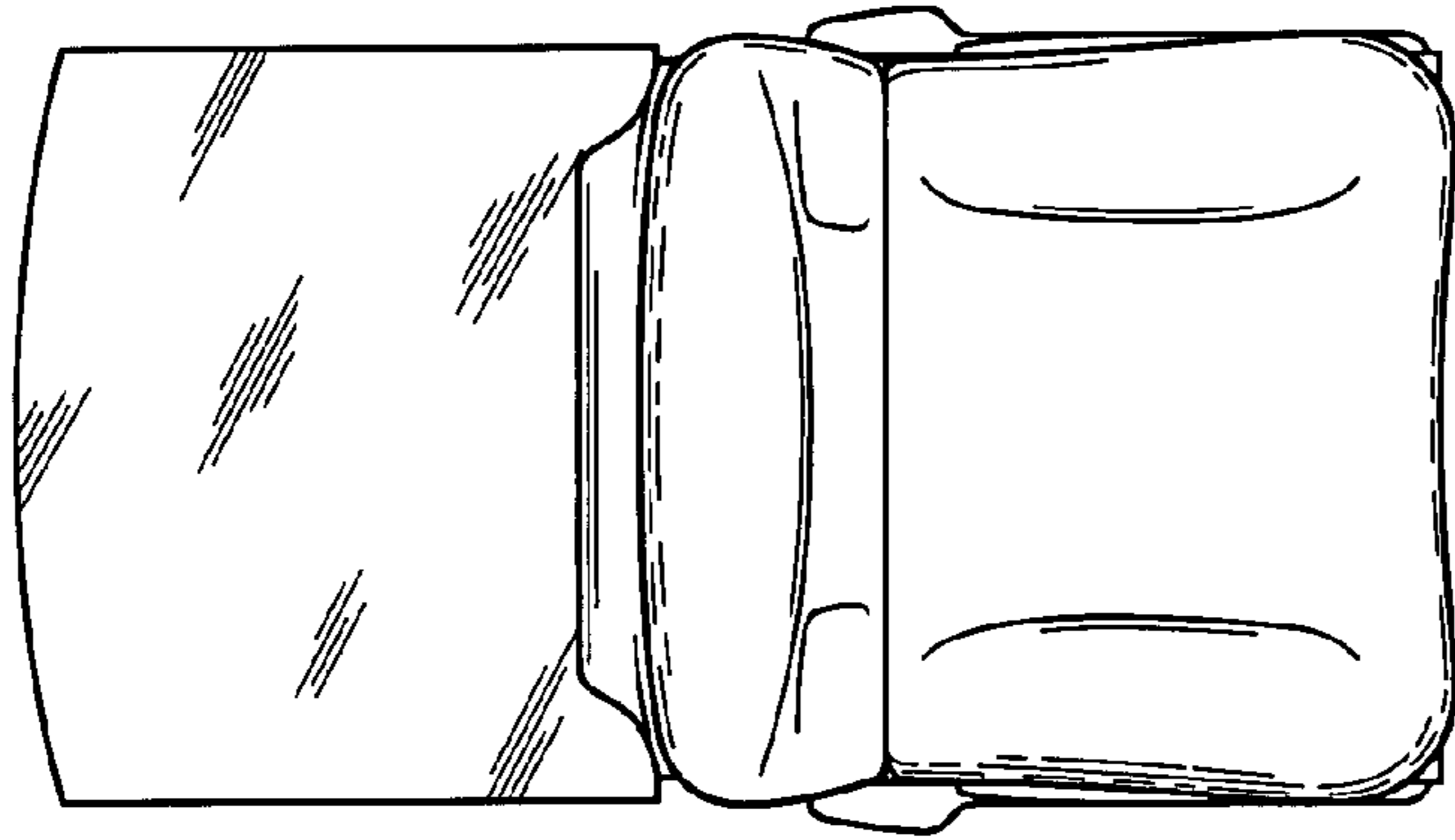


Fig. 13

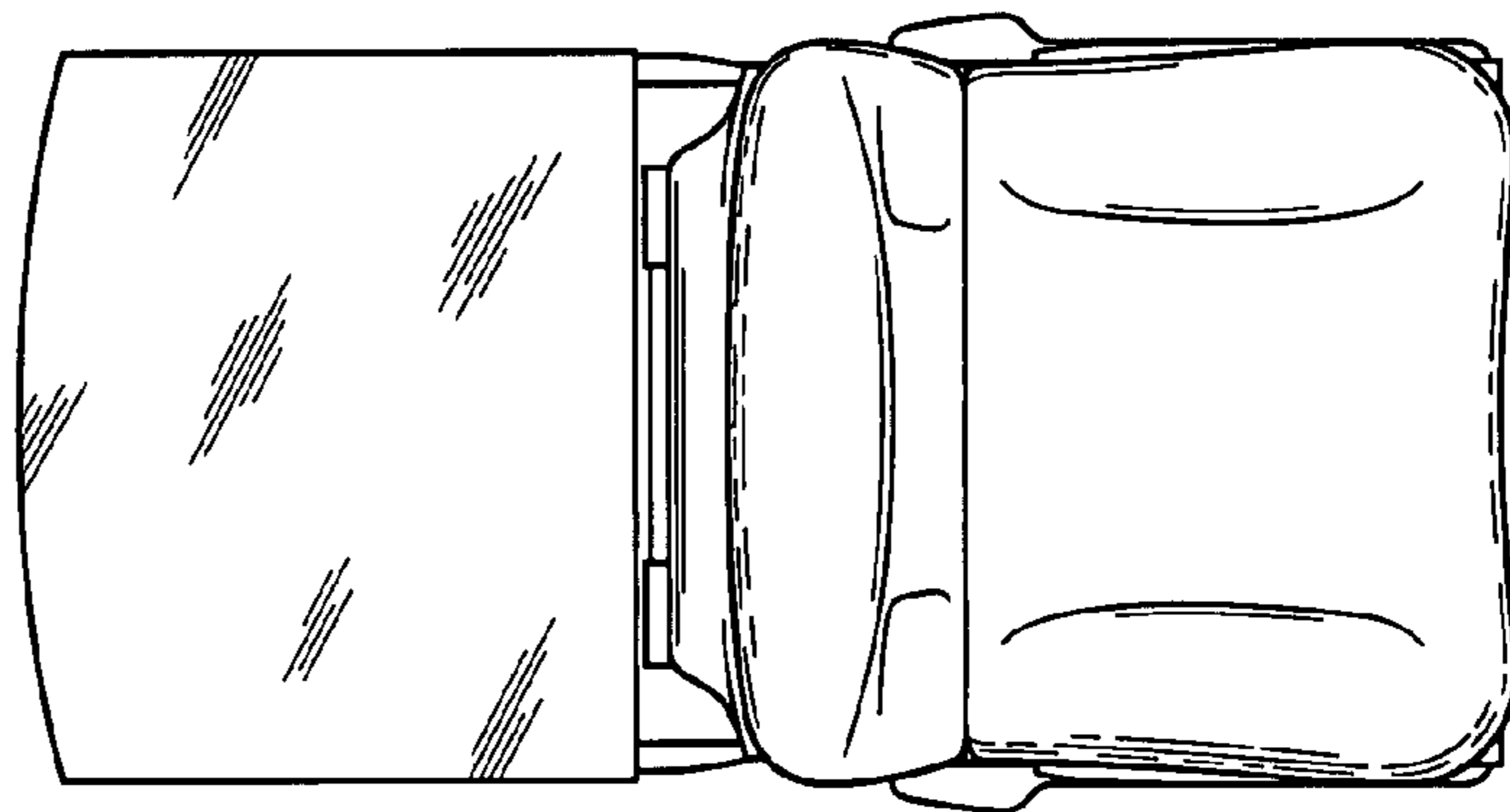


Fig. 14

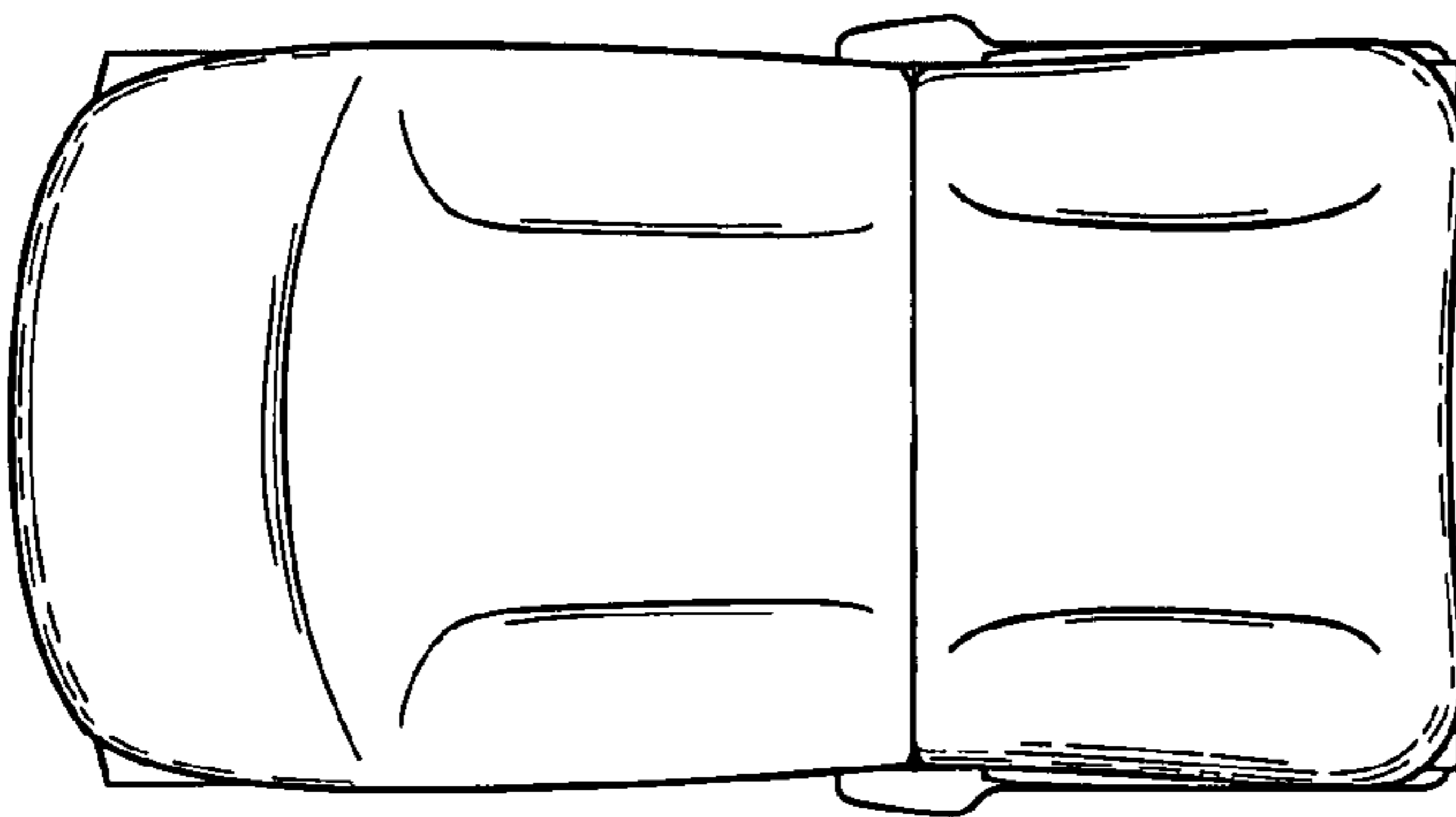


Fig. 15