



US00D574956S

(12) **United States Design Patent**
Grim

(10) **Patent No.:** **US D574,956 S**

(45) **Date of Patent:** **** Aug. 12, 2008**

(54) **SOFT TISSUE STAPLE**

(75) Inventor: **Gregory A. Grim**, Lascassas, TN (US)

(73) Assignee: **BioMedical Enterprises, Inc.**, San Antonio, TX (US)

(**) Term: **14 Years**

(21) Appl. No.: **29/288,962**

(22) Filed: **Jun. 28, 2007**

(51) **LOC (8) Cl.** **24-02**

(52) **U.S. Cl.** **D24/145**

(58) **Field of Classification Search** D24/145;
606/60, 72, 75, 219, 213, 220, 215, 222,
606/221; D8/389, 390; 227/902, 19, 83,
227/107, 110, 124

See application file for complete search history.

(56) **References Cited**

U.S. PATENT DOCUMENTS

D281,814 S	*	12/1985	Pratt et al.	D24/145
D286,180 S	*	10/1986	Korthoff	D24/145
D286,441 S	*	10/1986	Korthoff et al.	D24/145
D286,442 S	*	10/1986	Korthoff et al.	D24/145

2002/0019636	A1 *	2/2002	Ogilvie et al.	606/75
2004/0138705	A1 *	7/2004	Heino et al.	606/219
2007/0093839	A1 *	4/2007	Beckendorf et al.	606/75
2007/0270906	A1 *	11/2007	Molz	606/219
2008/0065154	A1 *	3/2008	Allard et al.	606/219

* cited by examiner

Primary Examiner—Ian Simmons

Assistant Examiner—Carissa C Fitts

(74) *Attorney, Agent, or Firm*—Christopher L. Makay

(57) **CLAIM**

The ornamental design for an soft tissue staple, as shown and described.

DESCRIPTION

FIG. 1 is a perspective view of the soft tissue staple according to a first embodiment of my new design;

FIG. 2 is a front view thereof;

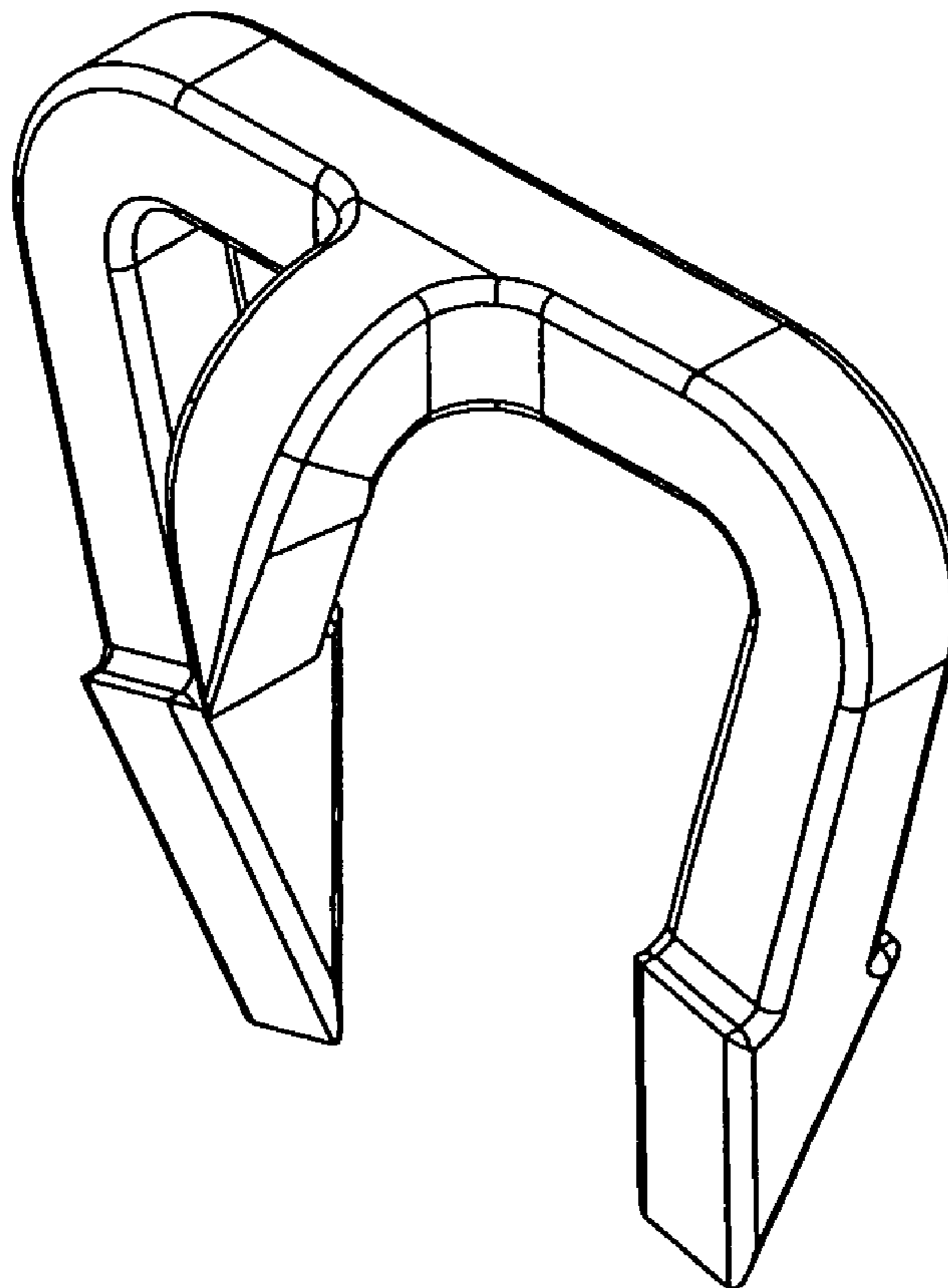
FIG. 3 is a side view thereof;

FIG. 4 is a top view thereof;

FIG. 5 is a rear view thereof; and,

FIG. 6 is a bottom view thereof.

1 Claim, 2 Drawing Sheets



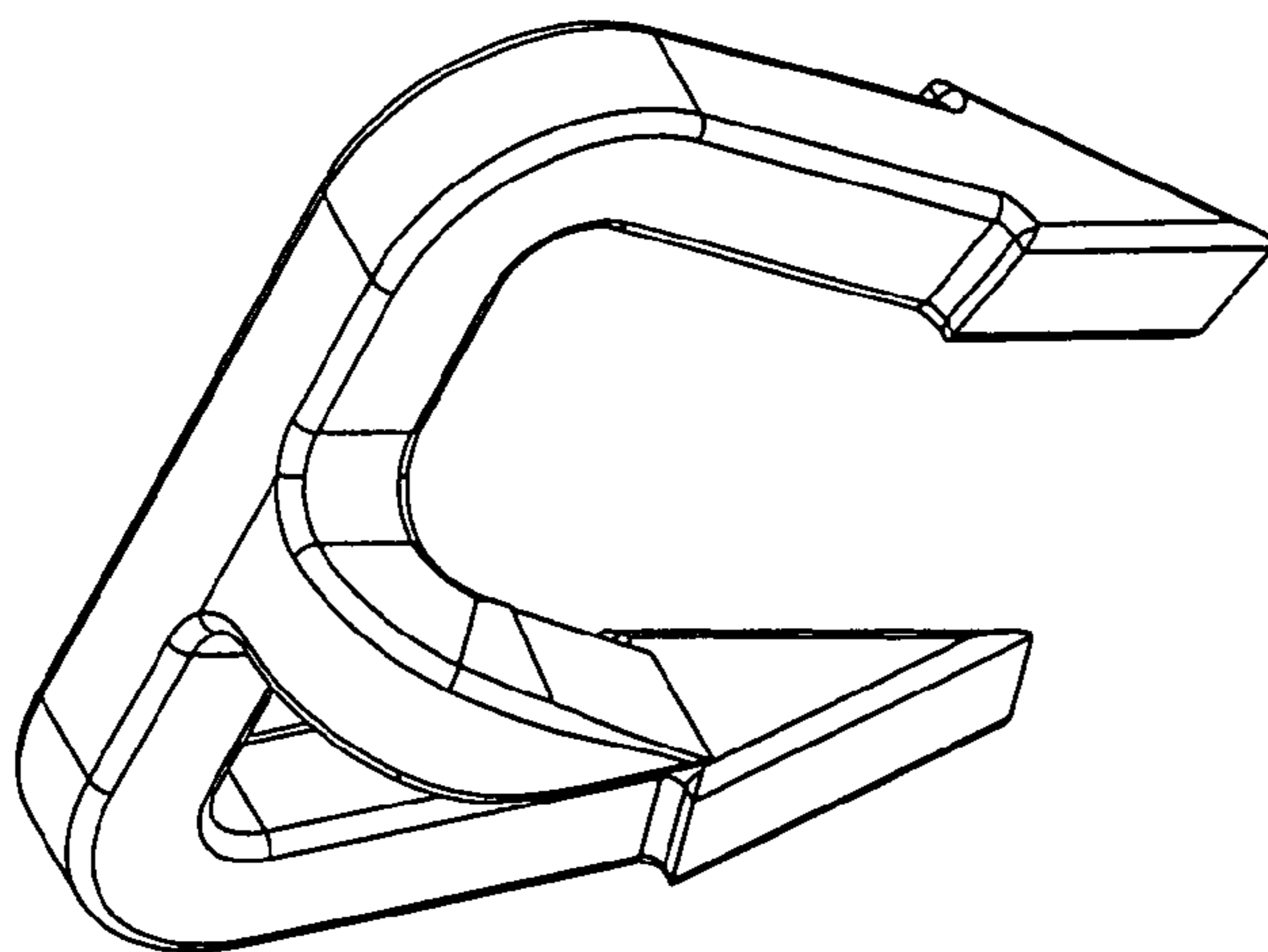


Figure 1

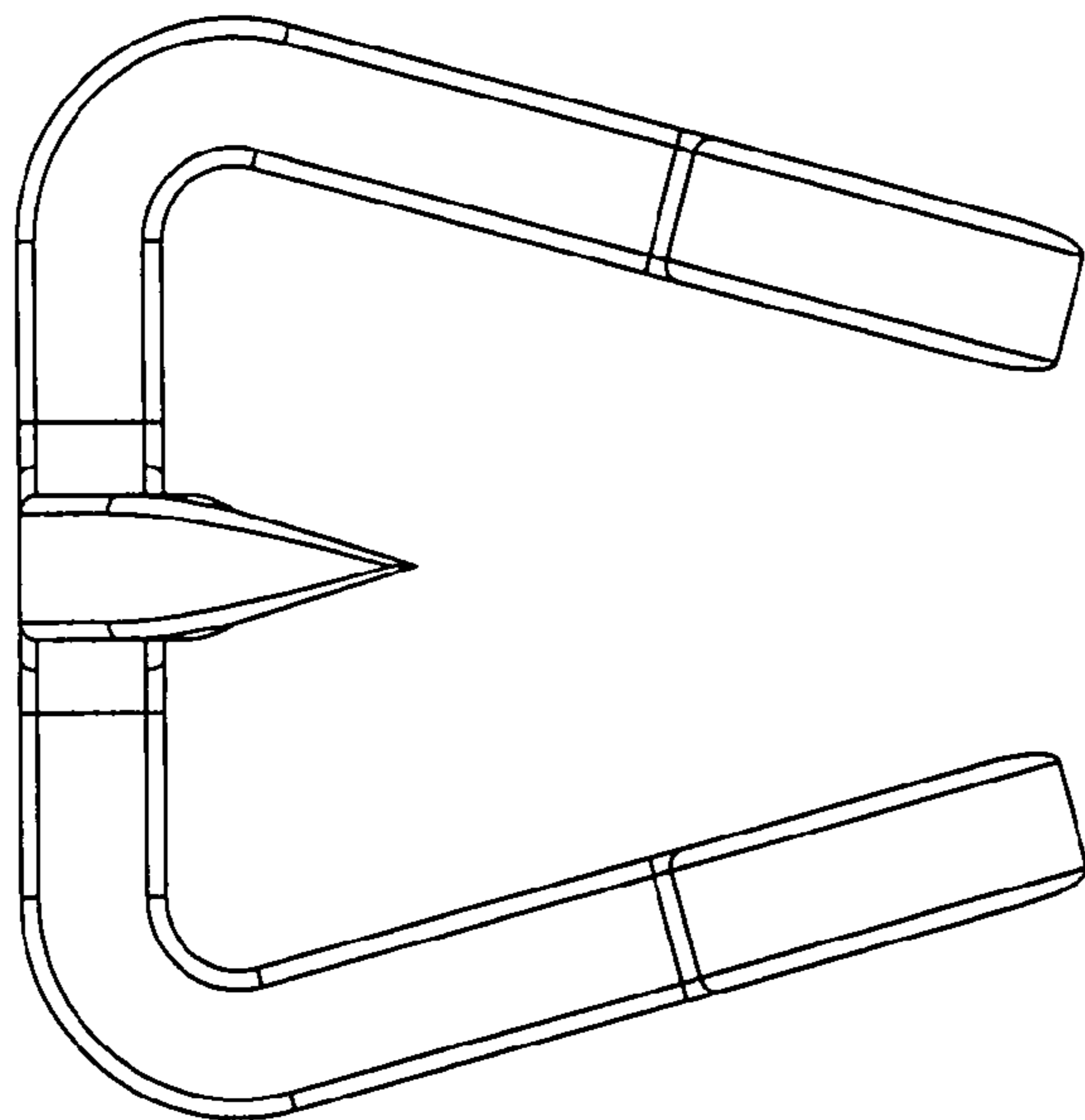


Figure 2

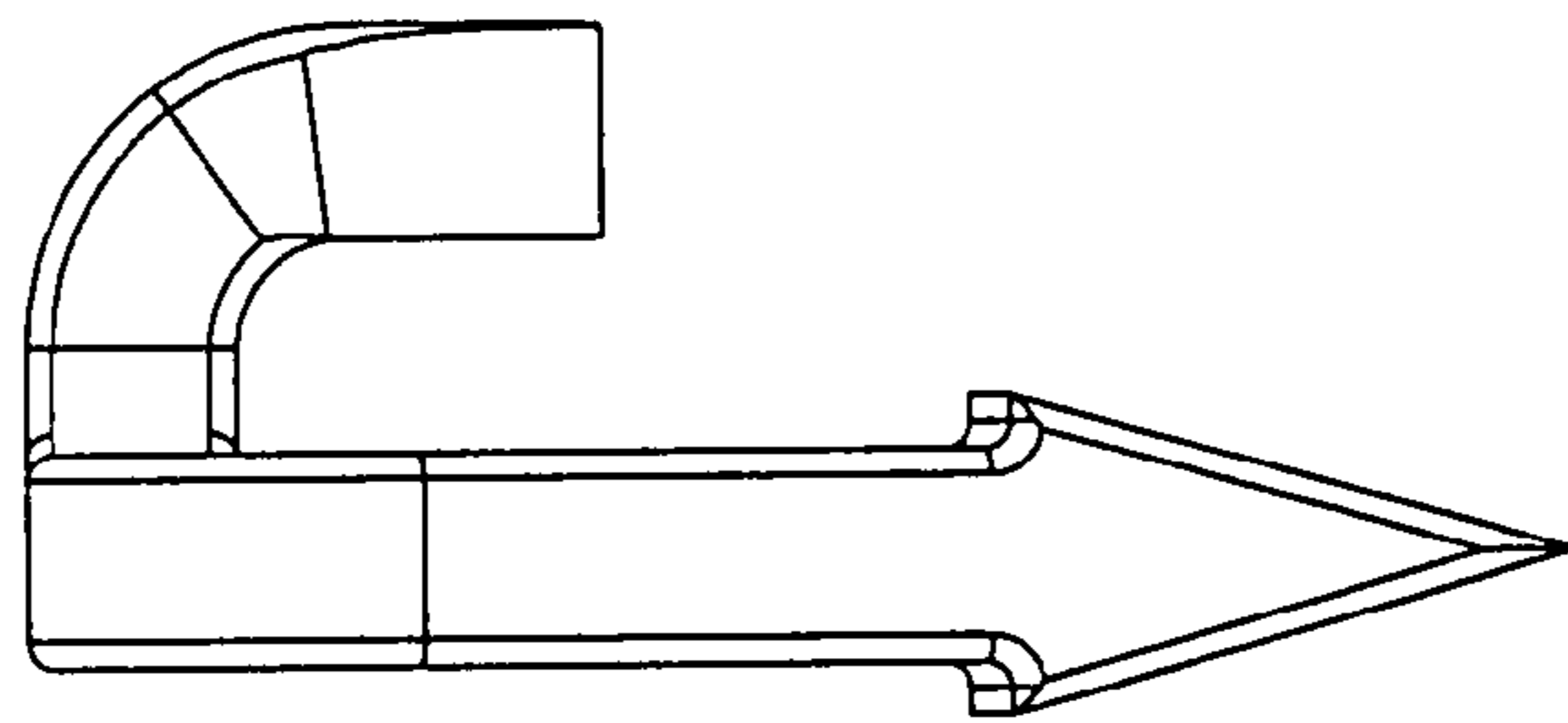


Figure 3

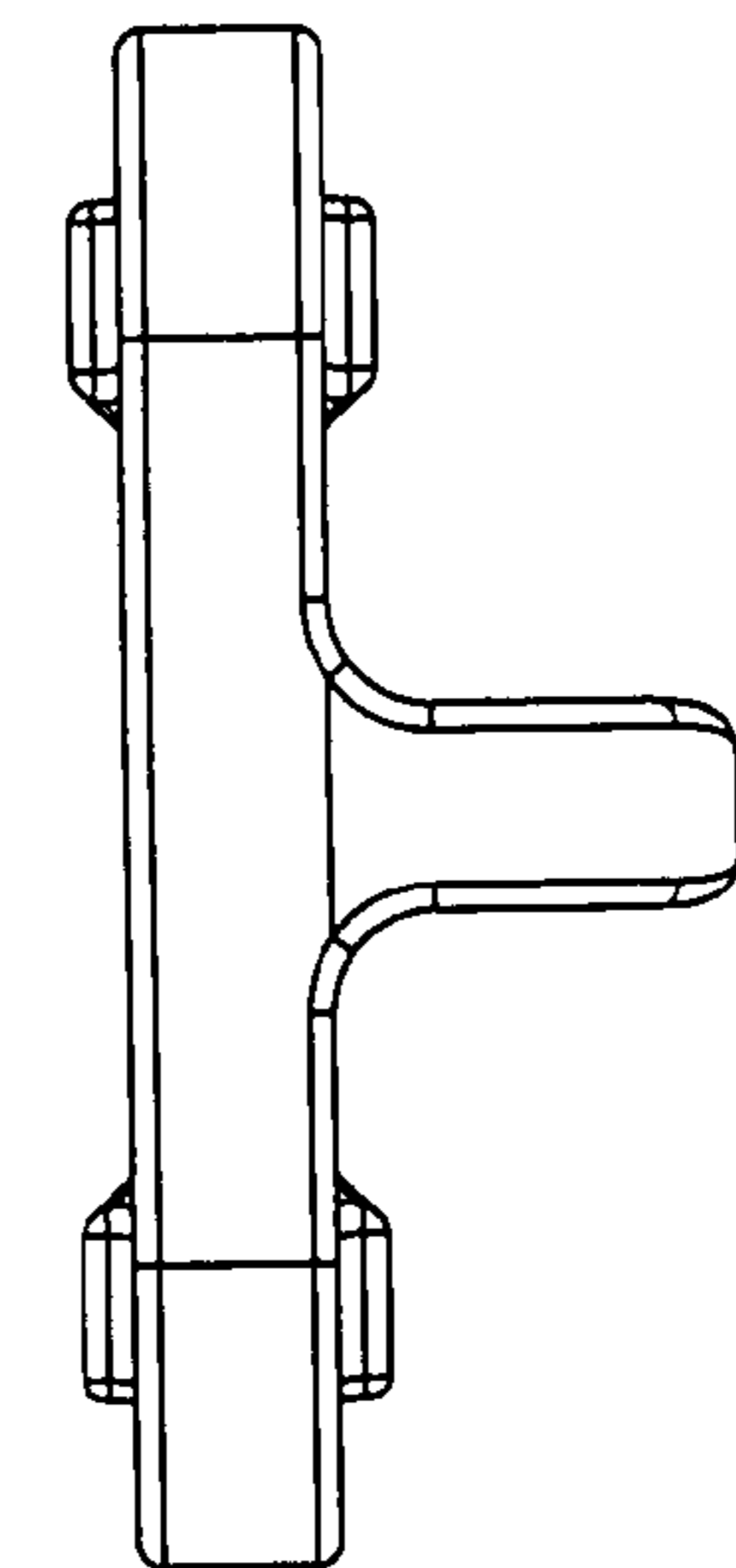


Figure 4

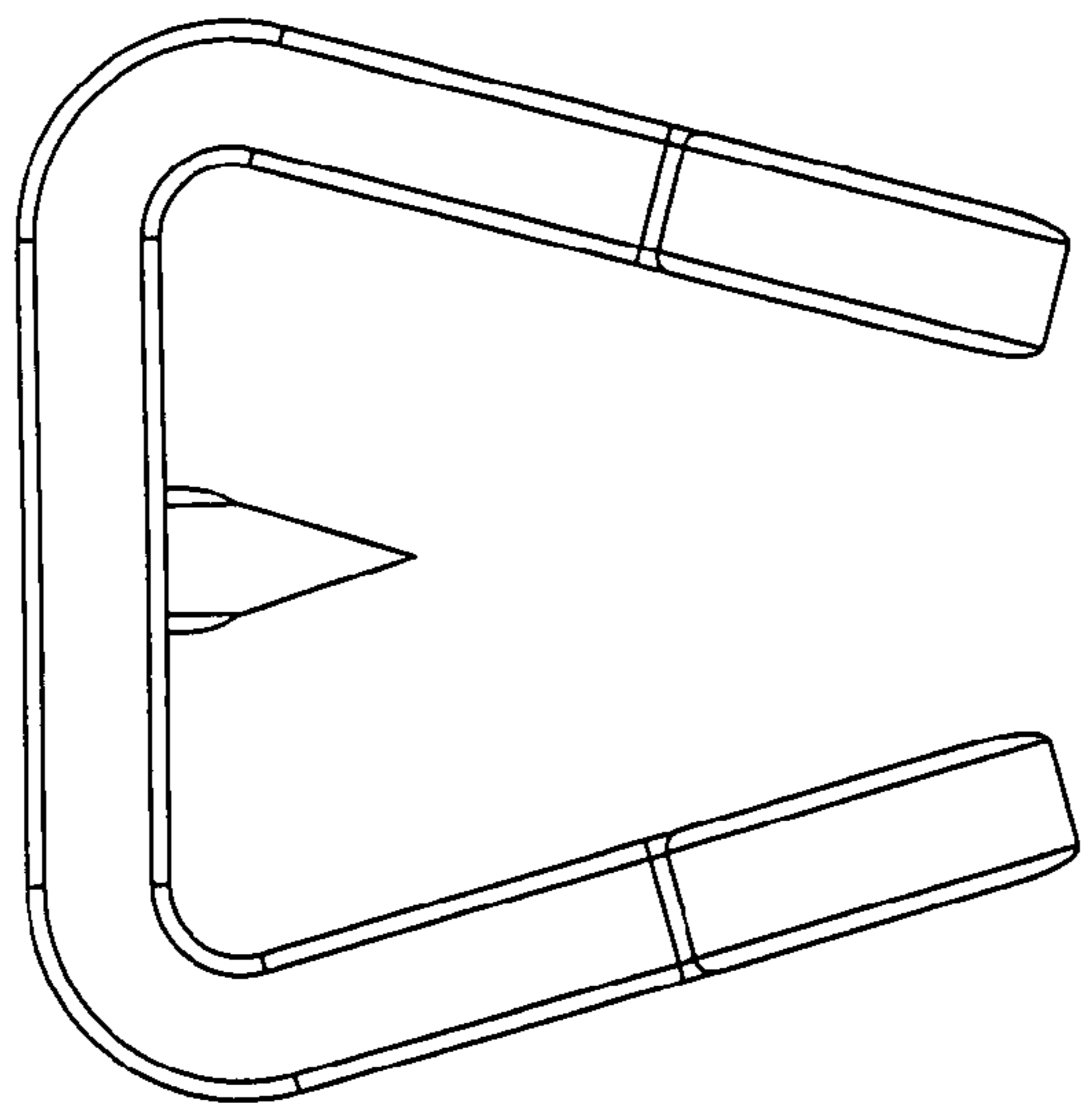


Figure 5

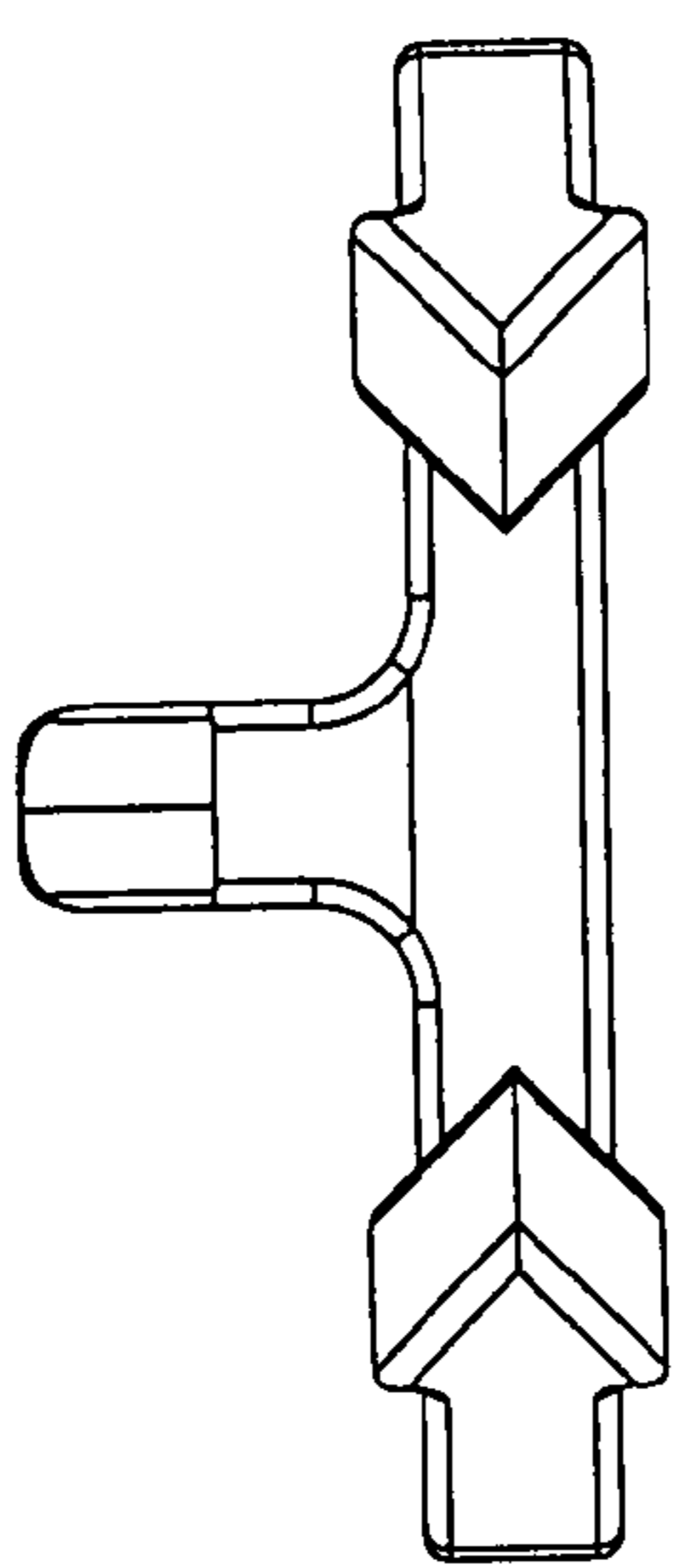


Figure 6