



US00D574954S

(12) **United States Design Patent**
Smith

(10) **Patent No.:** **US D574,954 S**

(45) **Date of Patent:** **** Aug. 12, 2008**

(54) **LIQUID OR GEL APPLICATOR FOR PERSONAL USE**

(76) **Inventor:** **Nilufer Smith**, 171b Holland Park Avenue, London W11 4UR (GB)

(**) **Term:** **14 Years**

(21) **Appl. No.:** **29/287,025**

(22) **Filed:** **Jun. 19, 2007**

(51) **LOC (8) Cl.** **24-02**

(52) **U.S. Cl.** **D24/114**

(58) **Field of Classification Search** D24/114, D24/112, 133, 113, 186, 130, 108, 141, 135, D24/110; 604/187, 19, 48, 57, 515, 517, 604/518, 218, 73, 38, 15, 59; 601/17; D23/231; D7/669; D8/14.1; 222/628, 631

See application file for complete search history.

(56) **References Cited**

U.S. PATENT DOCUMENTS

- 3,154,076 A * 10/1964 O'Donnell D24/141
- 4,808,166 A * 2/1989 Davidov 604/57
- 5,397,312 A * 3/1995 Rademaker et al. 604/218
- D368,838 S * 4/1996 Paklaian D8/14.1
- D378,406 S * 3/1997 Kugler D24/114
- D401,323 S * 11/1998 Ritsche D24/110

- D401,324 S * 11/1998 Hjertman et al. D24/114
- D433,123 S * 10/2000 Sheppard et al. D24/110
- D448,844 S * 10/2001 Reis D24/114
- D449,104 S * 10/2001 Baker et al. D24/112
- D463,546 S * 9/2002 Jansen et al. D24/114
- D552,773 S * 10/2007 Greenberg D24/130
- 2006/0287616 A1 * 12/2006 Nan 601/17

* cited by examiner

Primary Examiner—Louis S Zarfaz

Assistant Examiner—David G Muller

(74) *Attorney, Agent, or Firm*—Dennison, Schultz & Macdonald

(57) **CLAIM**

The ornamental design for a liquid or gel applicator for personal use, as shown.

DESCRIPTION

FIG. 1 is front perspective view of the applicator showing my new design;

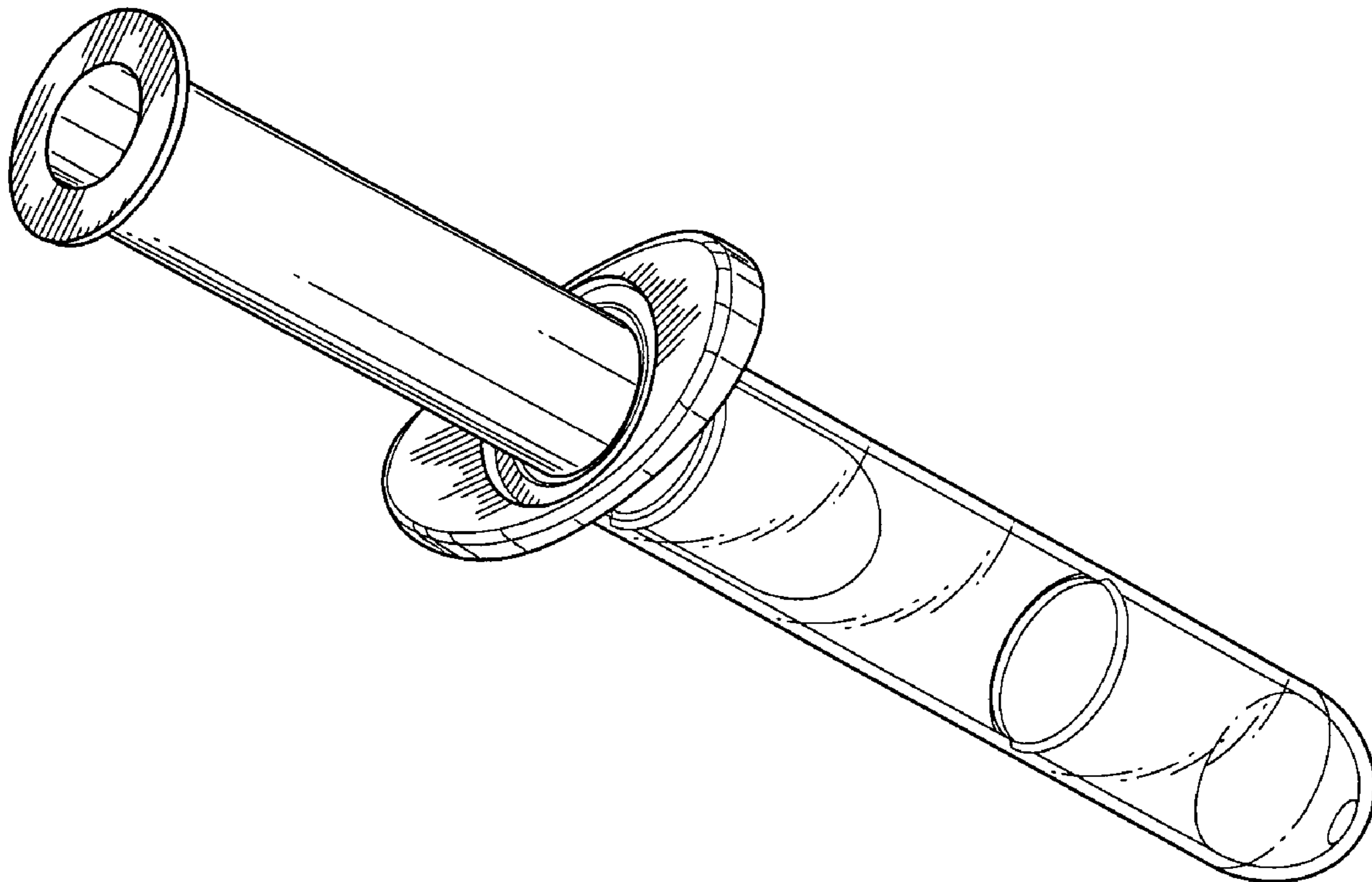
FIG. 2 is a top plan view thereof;

FIG. 3 is a side elevational view thereof;

FIG. 4 is end view taken from the left end of FIG. 2; and,

FIG. 5 is an end view taken from the right end of FIG. 2.

1 Claim, 1 Drawing Sheet



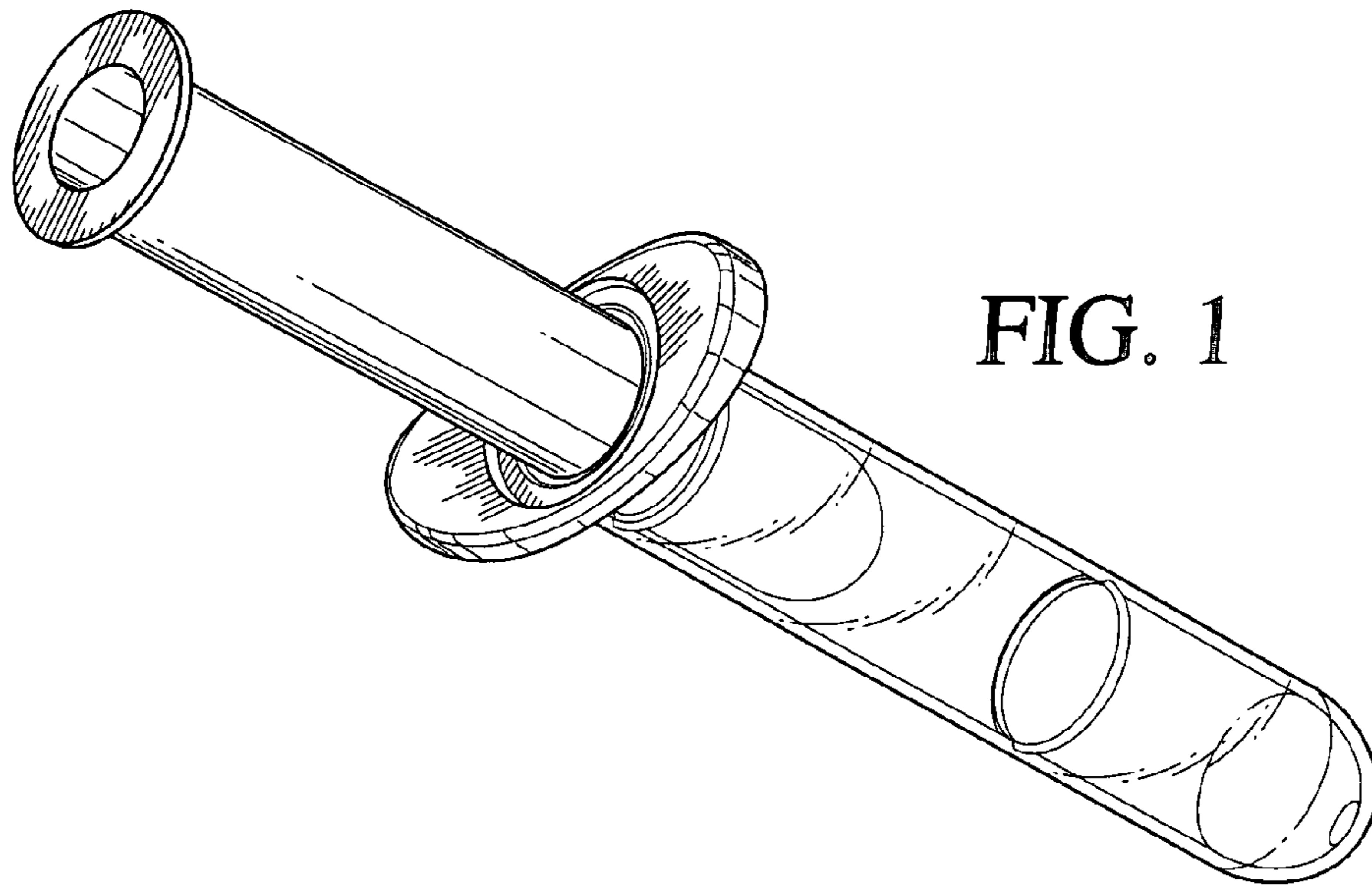


FIG. 1

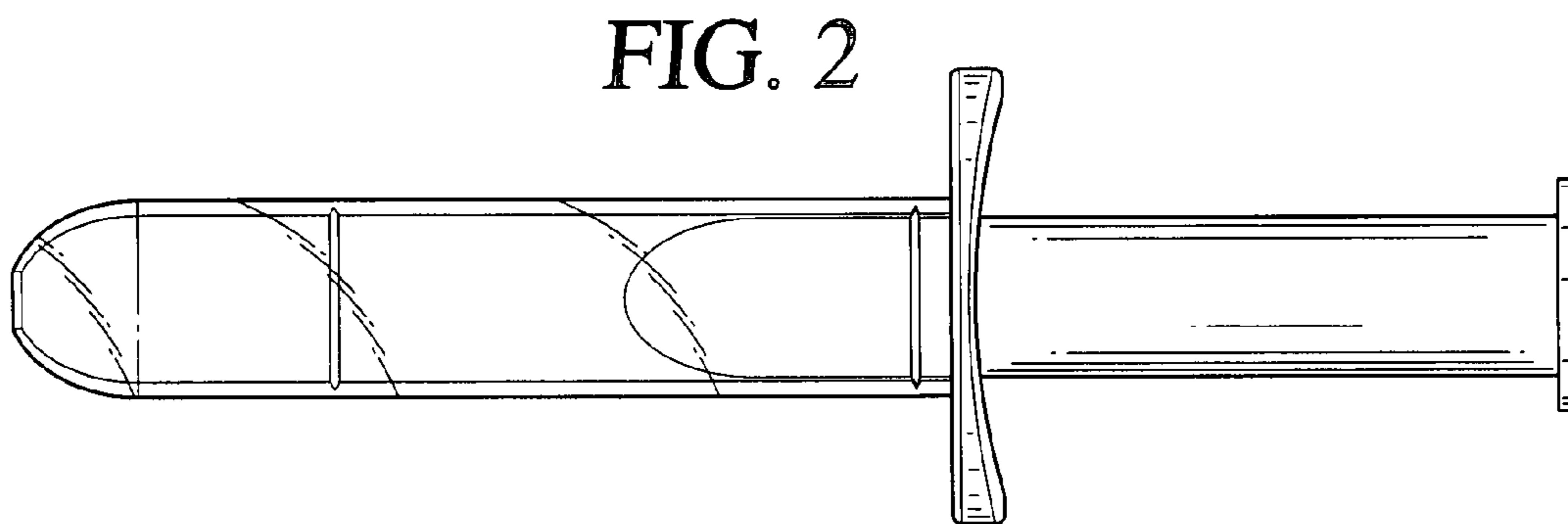


FIG. 2

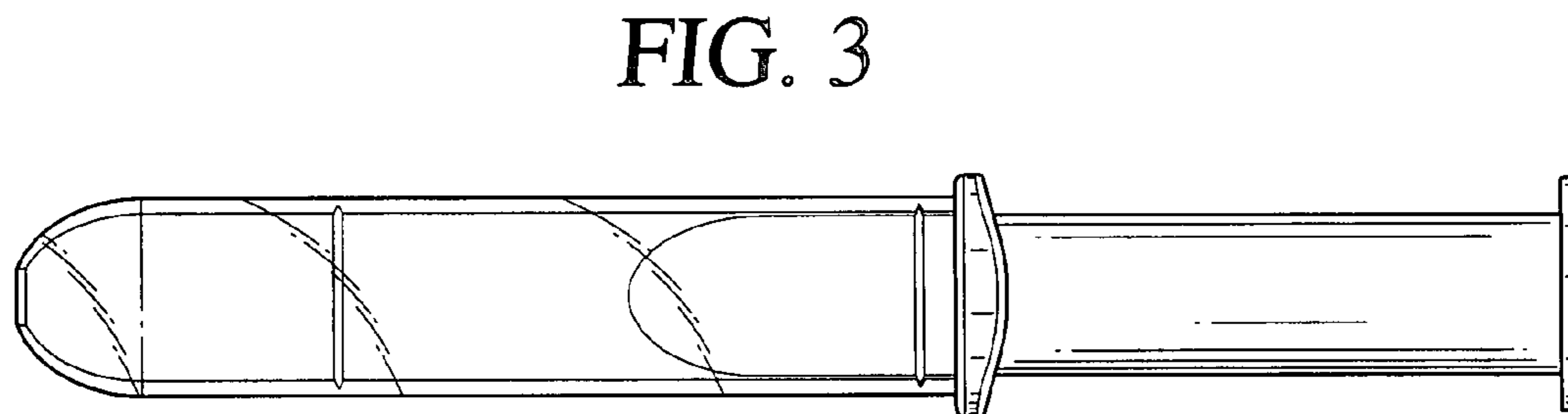


FIG. 3

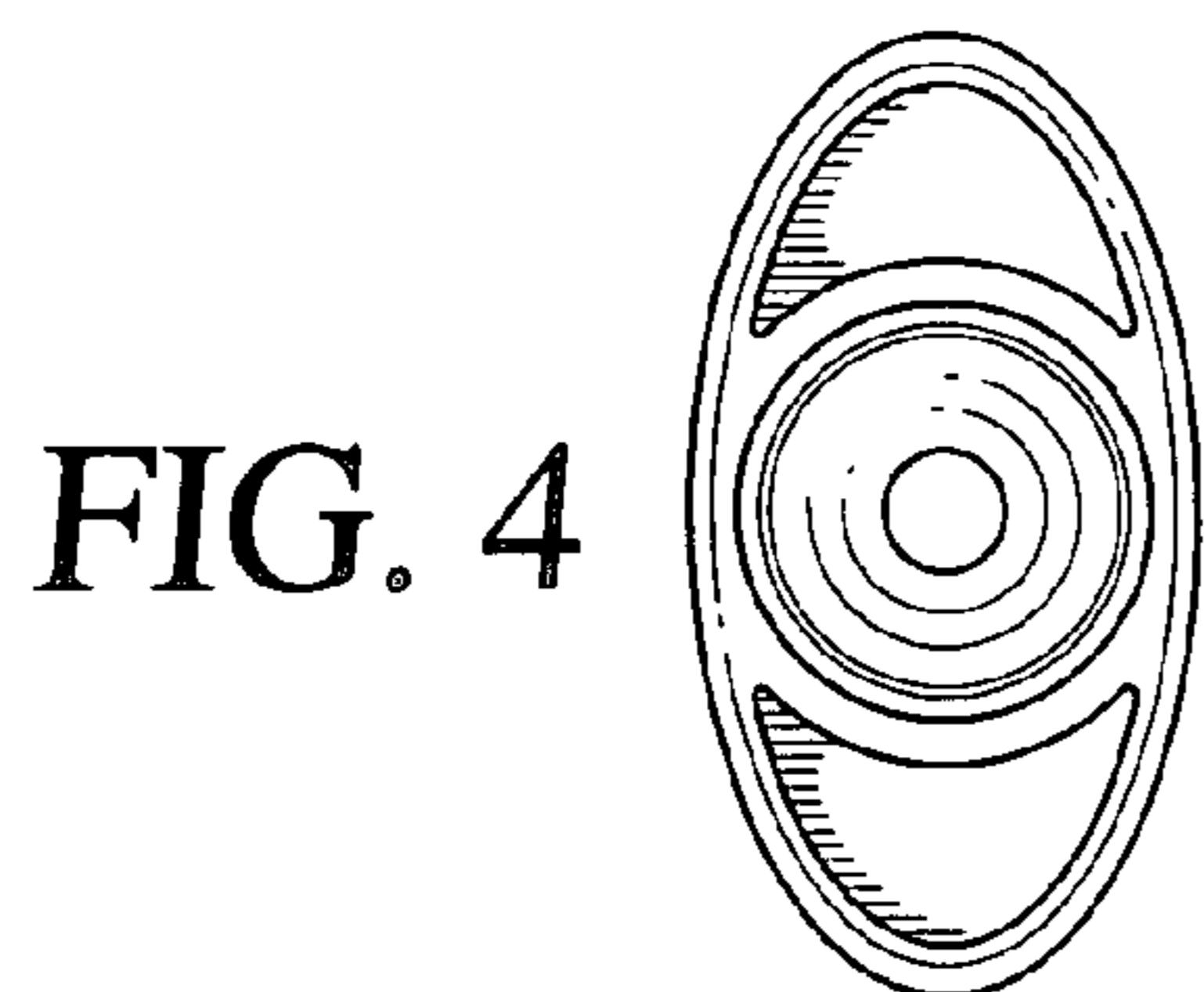


FIG. 4

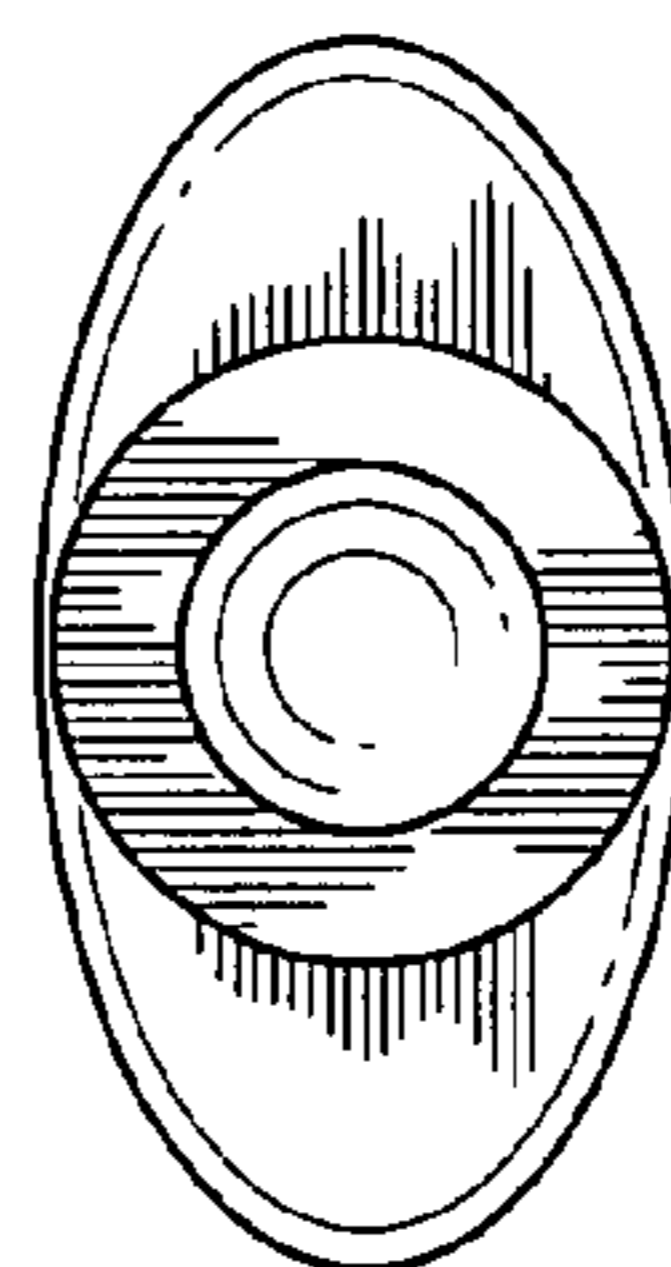


FIG. 5