

US00D574950S

(12) **United States Design Patent**  
**Zawacki et al.**

(10) **Patent No.:** **US D574,950 S**

(45) **Date of Patent:** **\*\* Aug. 12, 2008**

(54) **IMPLANTABLE PORT DEVICE**

(75) Inventors: **John A. Zawacki**, Shorewood, MN  
(US); **Annemarie Boswell**, Salt Lake  
City, UT (US)

(73) Assignee: **C.R. Bard, Inc.**, Murray Hill, NJ (US)

(\*\*) Term: **14 Years**

(21) Appl. No.: **29/284,454**

(22) Filed: **Sep. 7, 2007**

(51) **LOC (8) Cl.** ..... **24-01**

(52) **U.S. Cl.** ..... **D24/108**

(58) **Field of Classification Search** ..... D24/108,  
D24/111, 155; D13/167; 604/141, 175,  
604/288.01, 288.02, 288.03, 288.04  
See application file for complete search history.

(56) **References Cited**

**U.S. PATENT DOCUMENTS**

4,781,680	A	11/1988	Redmond et al. ....	604/288.02
5,013,298	A	5/1991	Moden et al. ....	604/288.02
5,045,060	A	9/1991	Melsky et al. ....	604/288.02
D337,637	S *	7/1993	Tucker .....	D24/111
5,484,402	A *	1/1996	Saravia et al. ....	604/35
5,558,641	A	9/1996	Glantz et al. ....	604/288.02
5,743,873	A	4/1998	Cai et al. ....	604/288.02
6,090,066	A	7/2000	Schnell .....	604/86
6,113,572	A	9/2000	Gailey et al. ....	604/93.01
D445,175	S *	7/2001	Bertheas .....	D24/108
6,478,783	B1	11/2002	Moorehead .....	604/288.02
6,527,754	B1	3/2003	Tallarida et al. ....	604/288.04
6,878,137	B2	4/2005	Benchetrit .....	604/288.02
D546,440	S *	7/2007	Burnside .....	D24/108
7,252,649	B2	8/2007	Sherry .....	604/93.01
D556,153	S	11/2007	Burnside .....	D13/167
D562,443	S	2/2008	Zinn et al.	

2005/0283119	A1	12/2005	Uth et al. ....	604/175
2006/0116648	A1	6/2006	Hamatake .....	604/288.02
2006/0247584	A1 *	11/2006	Sheetz et al. ....	604/288.02
2007/0049876	A1	3/2007	Patton .....	604/288.01
2007/0073250	A1	3/2007	Schneiter .....	604/288.01
2007/0078391	A1	4/2007	Wortley et al. ....	604/116
2007/0078416	A1	4/2007	Eliassen .....	604/288.02
2007/0083156	A1	4/2007	Muto et al. ....	604/93.01
2007/0185462	A1	8/2007	Byrum .....	604/288.02
2007/0233018	A1	10/2007	Bizup et al. ....	604/288.01

**OTHER PUBLICATIONS**

U.S. Appl. No. 29/284,456, filed Sep. 7, 2007, titled Implantable Port Device, listing, John A. Zawacki and Annemarie Boswell as inventors.

\* cited by examiner

*Primary Examiner*—Ian Simmons

*Assistant Examiner*—Christopher Lee

(74) *Attorney, Agent, or Firm*—Stoel Rives LLP

(57) **CLAIM**

The ornamental design for a implantable port device, substantially as shown and described.

**DESCRIPTION**

FIG. 1 is a perspective view of an implantable port device;

FIG. 2 is a top view thereof;

FIG. 3 is a bottom view thereof;

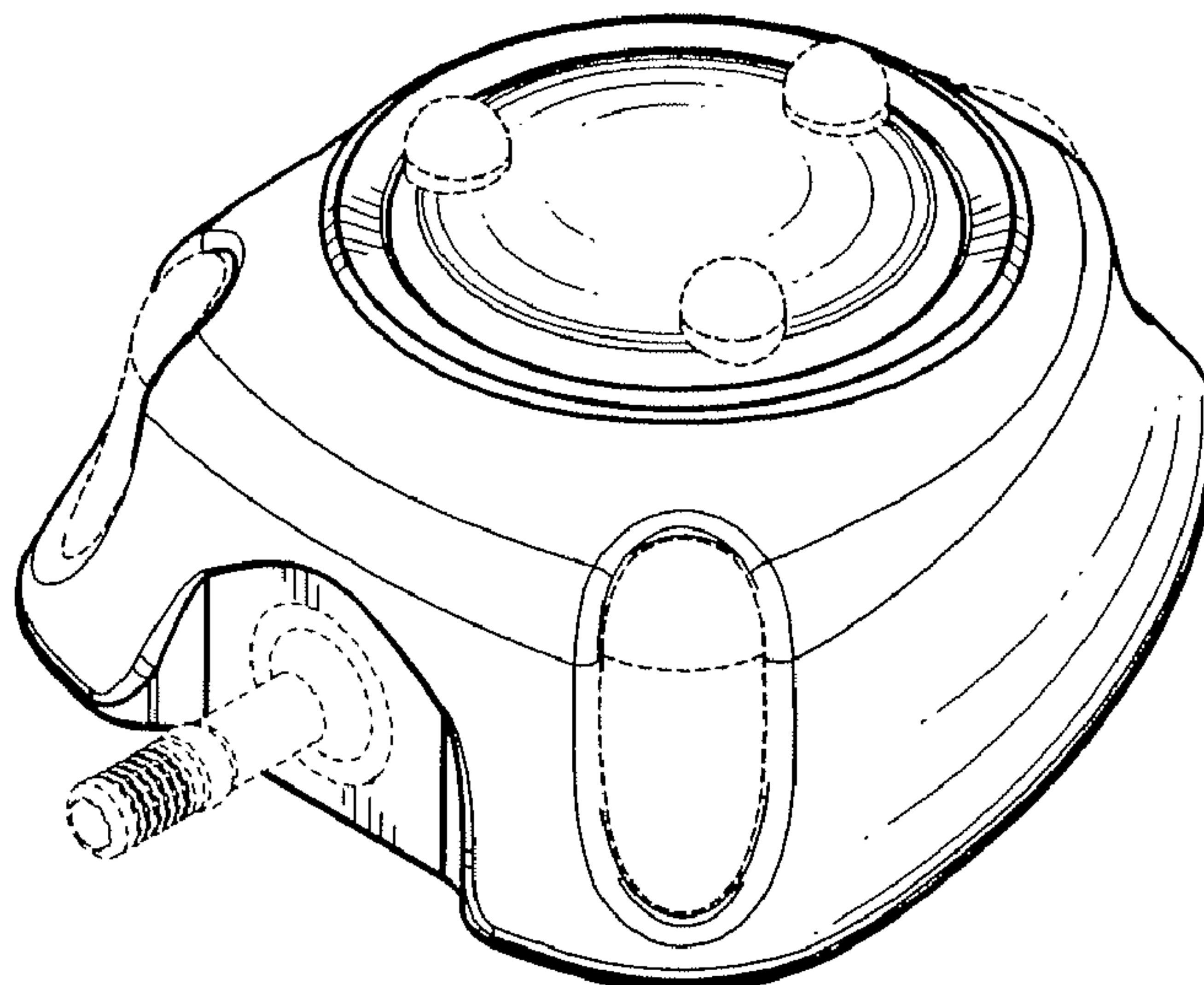
FIG. 4 is a left side view thereof;

FIG. 5 is a front elevational view thereof; and,

FIG. 6 is a rear elevational view.

The portions of the article in broken lines are shown for illustrative purposes only and form no part of the claimed design.

**1 Claim, 2 Drawing Sheets**



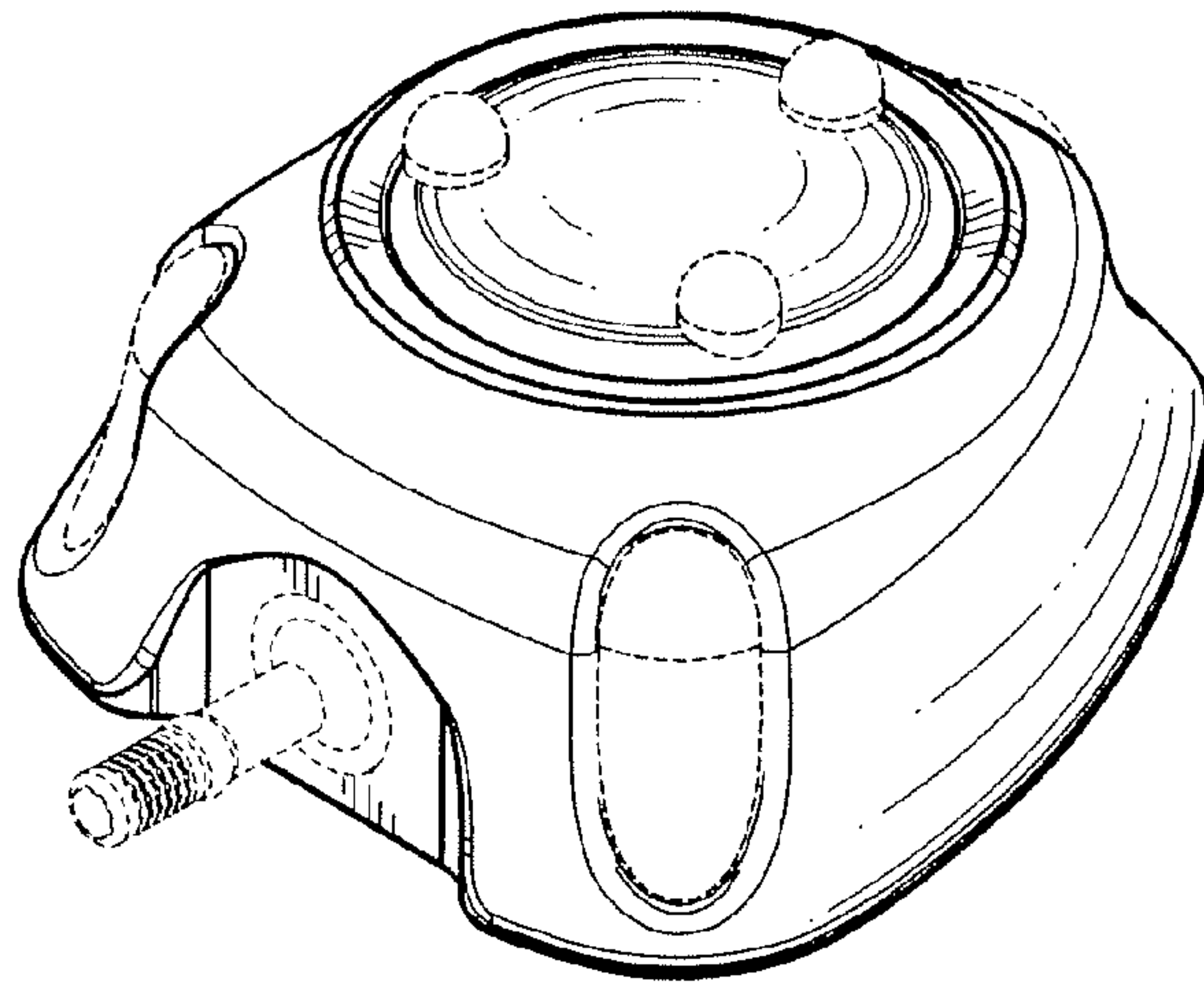


FIG. 1

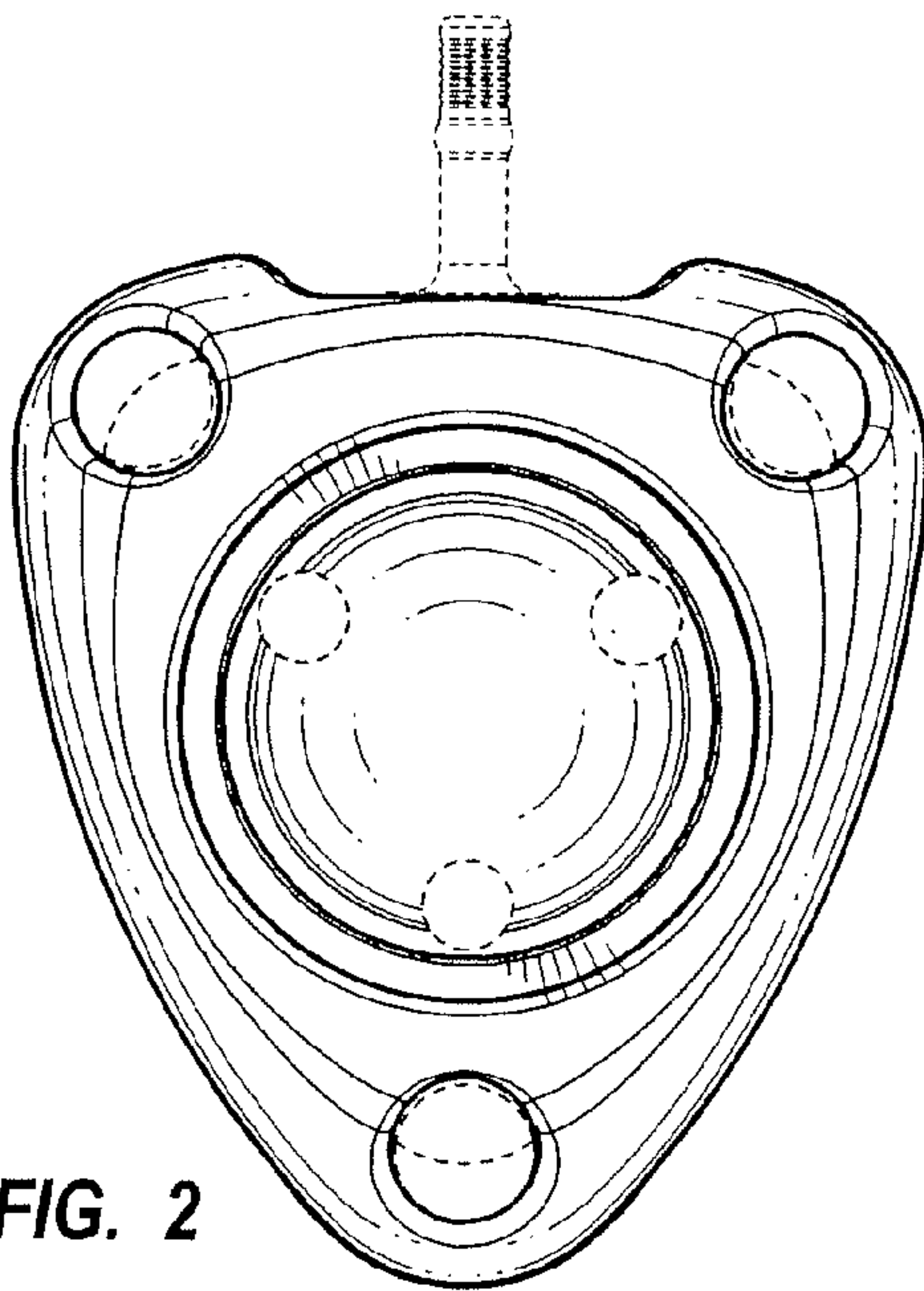


FIG. 2

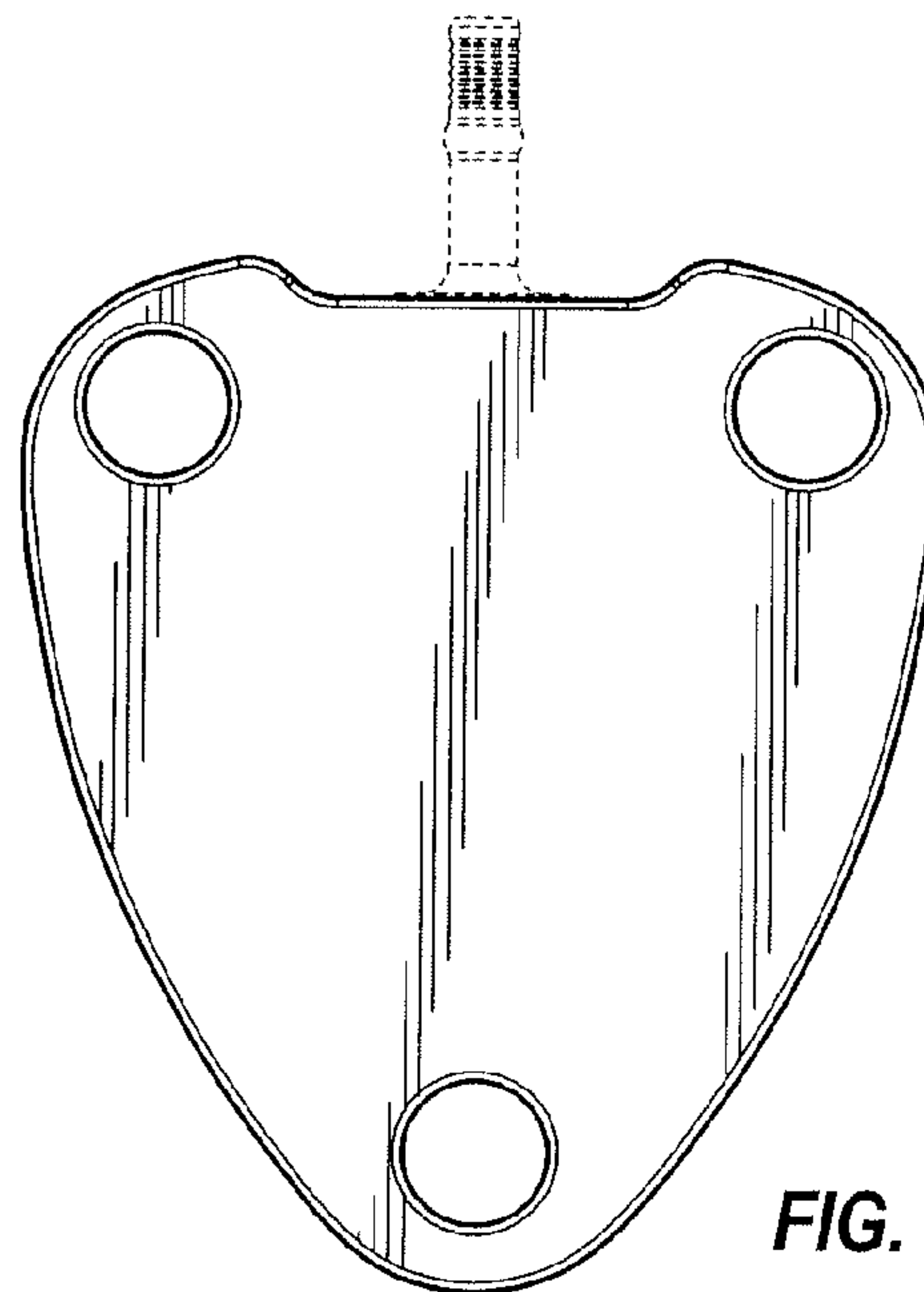


FIG. 3

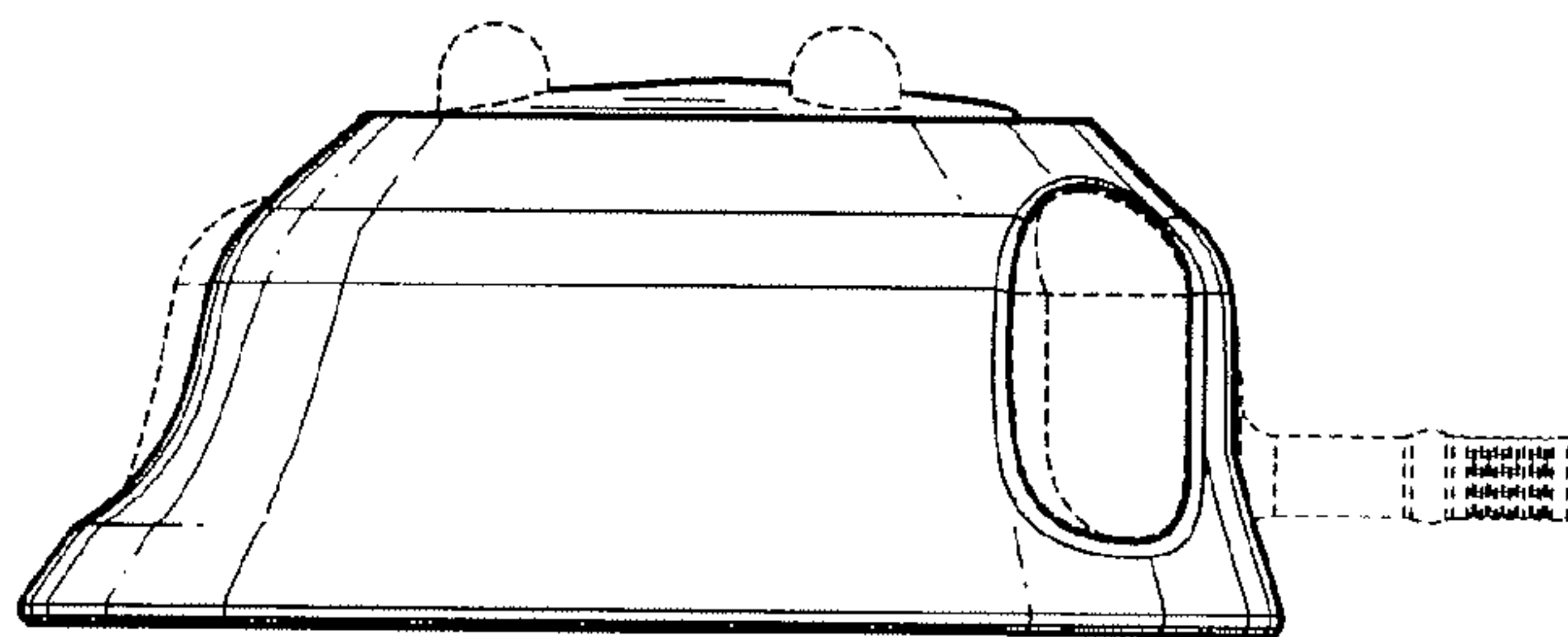
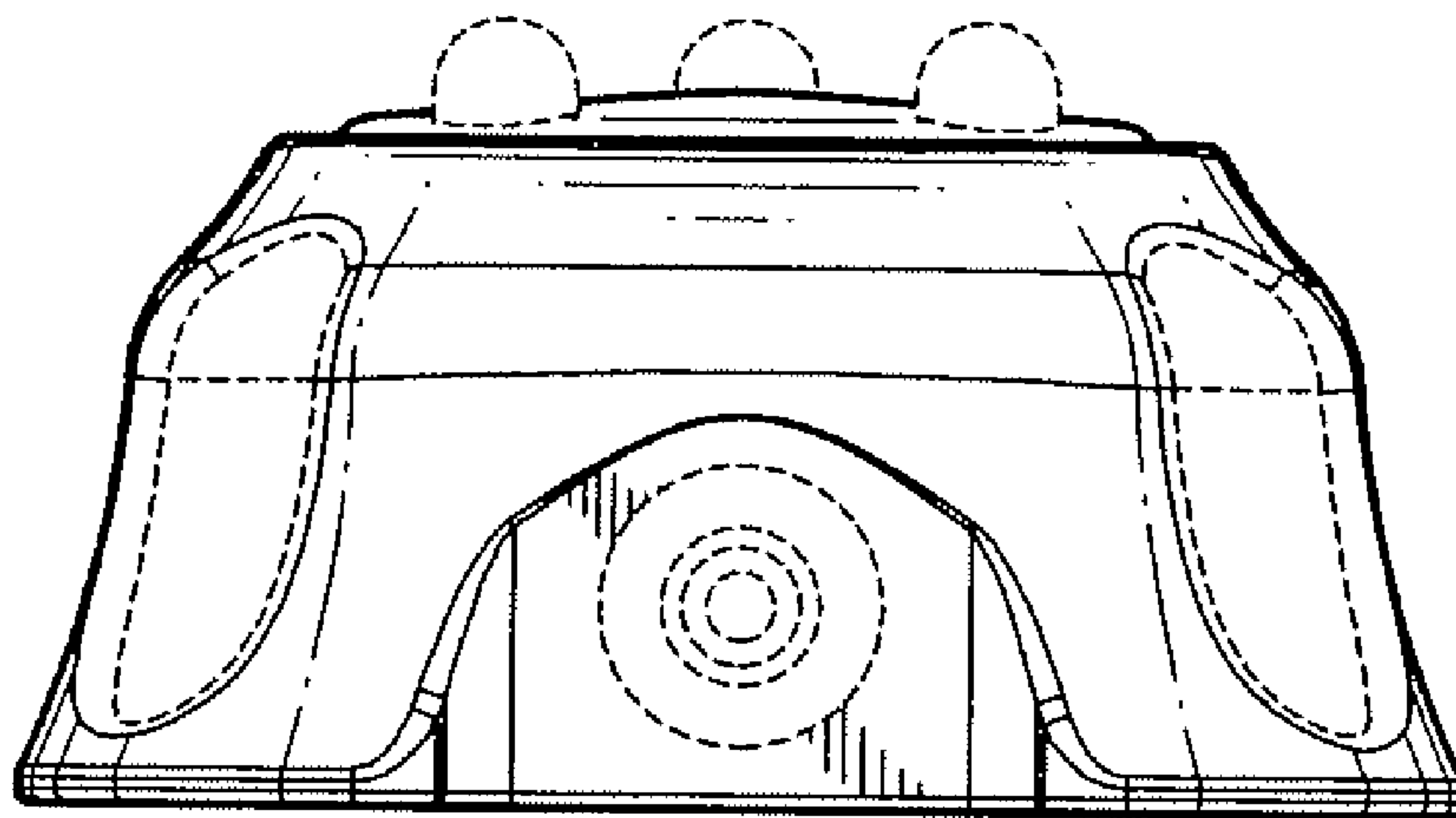
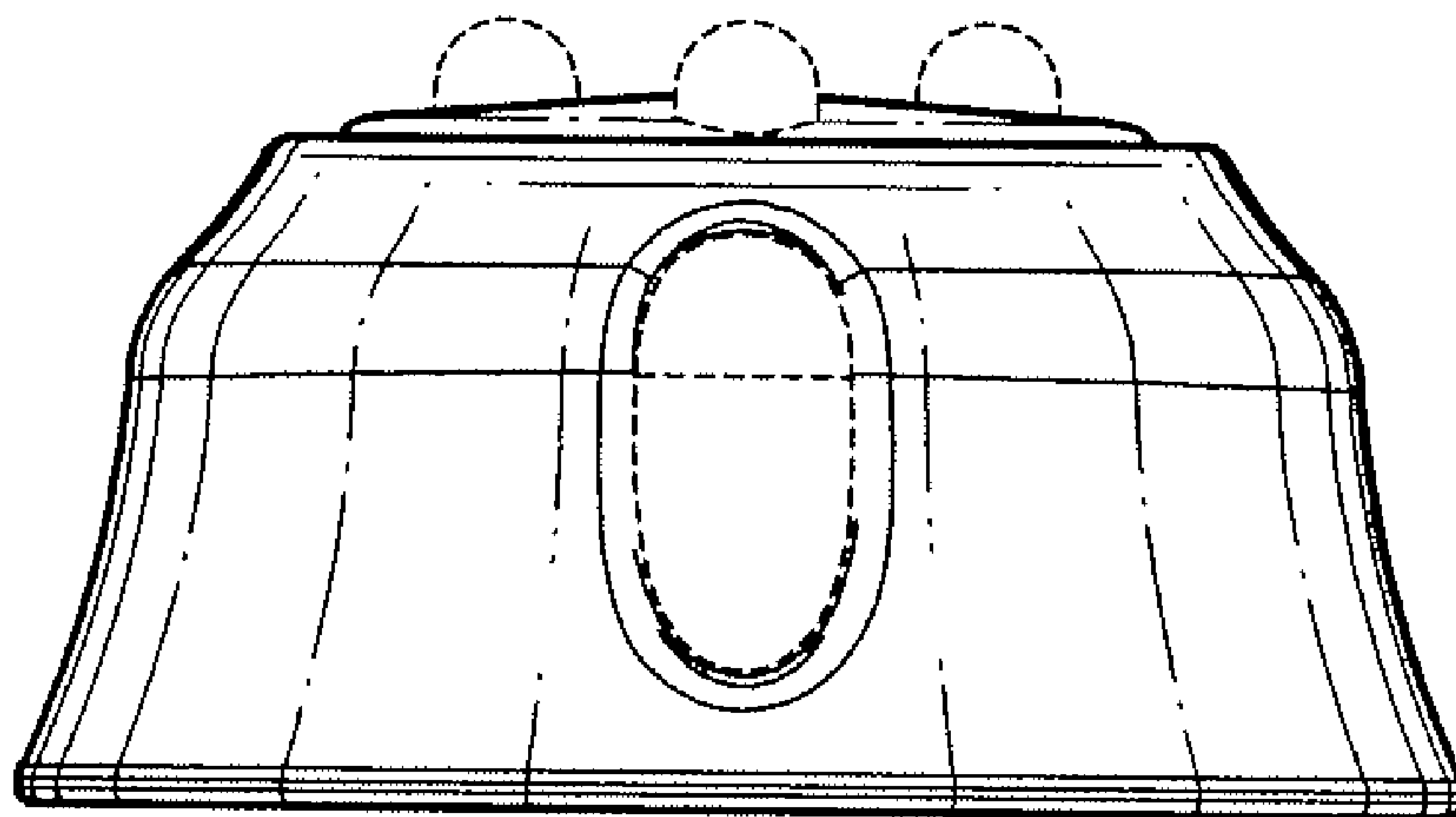


FIG. 4



**FIG. 5**



**FIG. 6**